

US00D875961S

(12) **United States Design Patent** (10) **Patent No.:** **US D875,961 S**  
**Li** (45) **Date of Patent:** **\*\* Feb. 18, 2020**

(54) **PERCUSSIVE MASSAGE DEVICE**

(71) Applicant: **Zenan Li**, Yongkang (CN)

(72) Inventor: **Zenan Li**, Yongkang (CN)

(\*\*) Term: **15 Years**

(21) Appl. No.: **29/707,530**

(22) Filed: **Sep. 29, 2019**

(51) **LOC (12) Cl.** ..... **28-03**

(52) **U.S. Cl.**  
USPC ..... **D24/211**

(58) **Field of Classification Search**  
USPC ..... 601/19, 22, 40, 46, 52, 63, 99, 110–113,  
601/118–120, 125, DIG. 12,  
601/DIG. 14–DIG. 17; D24/200, 211,  
D24/212, 213, 214, 215; D4/122  
CPC ..... A61H 15/0092; A61H 15/00; A61H  
2015/0014; A61H 2201/1611  
See application file for complete search history.

(56) **References Cited**

**U.S. PATENT DOCUMENTS**

D204,921 S *	5/1966	McNair .....	D24/214
D234,725 S *	4/1975	Hiromiti .....	D24/214
D321,056 S *	10/1991	Chambers .....	D24/211
D323,034 S *	1/1992	Reinstein .....	D24/200
D329,291 S *	9/1992	Wollman .....	D24/200
D329,292 S *	9/1992	Wollman .....	D24/200
D363,352 S *	10/1995	Huen .....	D24/215
D388,175 S *	12/1997	Lie .....	D24/215
D430,938 S *	9/2000	Lee .....	D24/214
D435,913 S	1/2001	Harris et al.	
D448,852 S *	10/2001	Engelen .....	D24/215
D450,853 S *	11/2001	Spalding .....	D24/214
D609,817 S *	2/2010	Piller .....	D24/215
D616,558 S *	5/2010	Tsai .....	D24/200
D617,000 S	6/2010	Mills	
D703,337 S *	4/2014	Fuhr .....	D24/200
D706,433 S *	6/2014	Fuhr .....	D24/200
D836,792 S *	12/2018	Fuhner .....	D24/215
D840,547 S *	2/2019	Harle .....	D24/214

D847,364 S *	4/2019	Lee .....	D24/215
D848,013 S *	5/2019	Fuhner .....	D24/215
D855,822 S	8/2019	Marton et al.	
D861,911 S *	10/2019	Fuhner .....	D24/215
D862,717 S *	10/2019	Khubani .....	D24/200
D862,721 S *	10/2019	Friend .....	D24/214
D863,571 S *	10/2019	Yang .....	D24/200
D866,790 S *	11/2019	Lee .....	D24/215
D868,990 S *	12/2019	Tse .....	D24/215
2003/0195443 A1 *	10/2003	Miller .....	A61H 1/008 601/108

**OTHER PUBLICATIONS**

Amazon, “Kimas Professional Massage Gun”, Oct. 13, 2019. [https://www.amazon.com/Professional-Percussion-Massager-Athletes-Relaxation/dp/B07XXVFHXS/ref=cm\\_cr\\_arp\\_d\\_product\\_top?ie=UTF8](https://www.amazon.com/Professional-Percussion-Massager-Athletes-Relaxation/dp/B07XXVFHXS/ref=cm_cr_arp_d_product_top?ie=UTF8). Shown on p. 1. (Year: 2019).\*

\* cited by examiner

*Primary Examiner* — Cynthia Ramirez  
*Assistant Examiner* — Michael A Maharajh

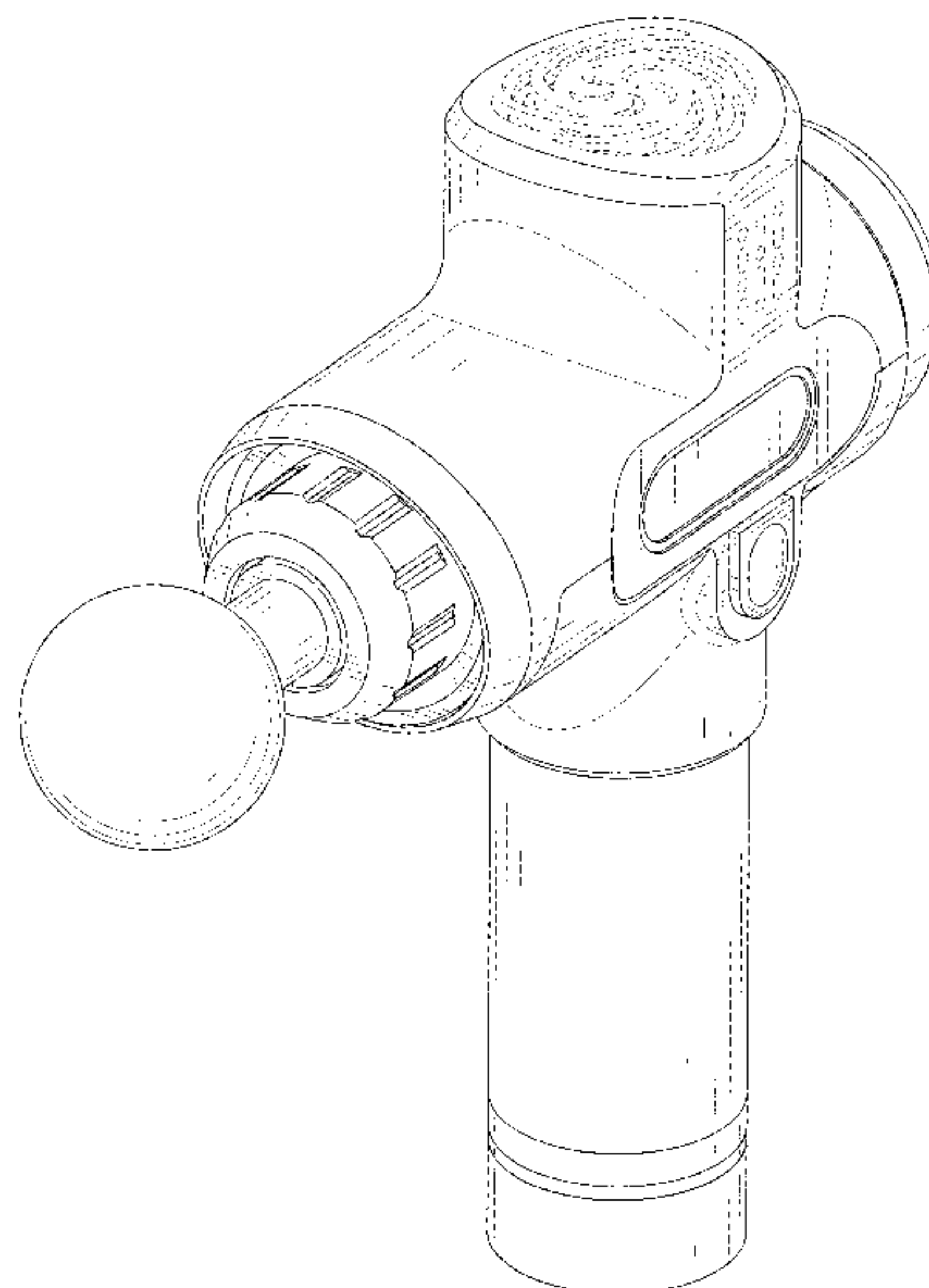
(57) **CLAIM**

The ornamental design for a percussive massage device, as shown and described.

**DESCRIPTION**

FIG. 1 is a perspective view of a percussive massage device showing my new design;  
FIG. 2 is a bottom perspective view thereof;  
FIG. 3 is a front elevational view thereof;  
FIG. 4 is a rear elevational view thereof;  
FIG. 5 is a left side elevational view thereof;  
FIG. 6 is a right side elevational view thereof;  
FIG. 7 is a top plan view thereof; and,  
FIG. 8 is a bottom plan view thereof.  
The broken lines in the drawings depict portions of the percussive massage device that form no part of the claimed design.

**1 Claim, 8 Drawing Sheets**



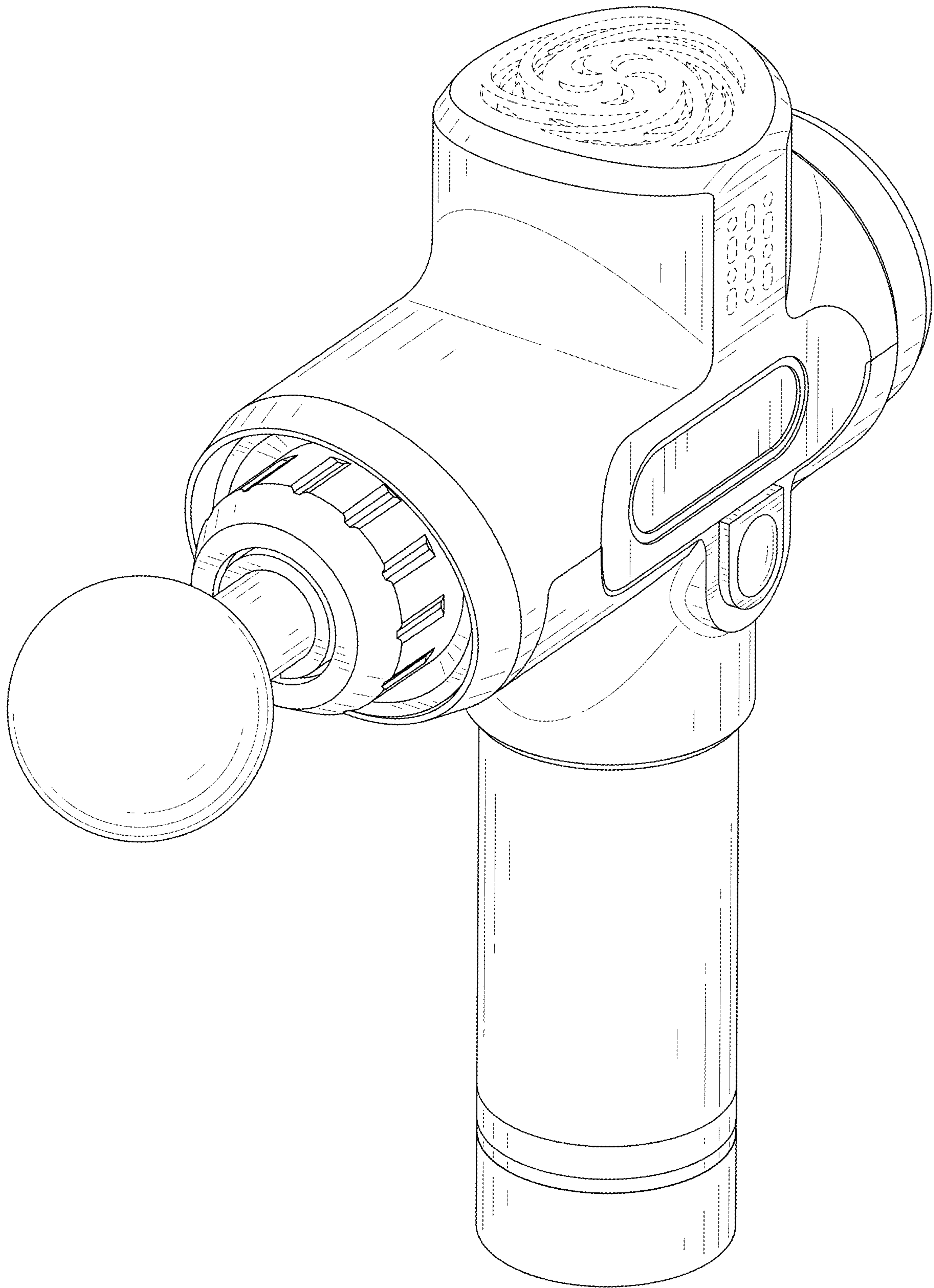


FIG. 1

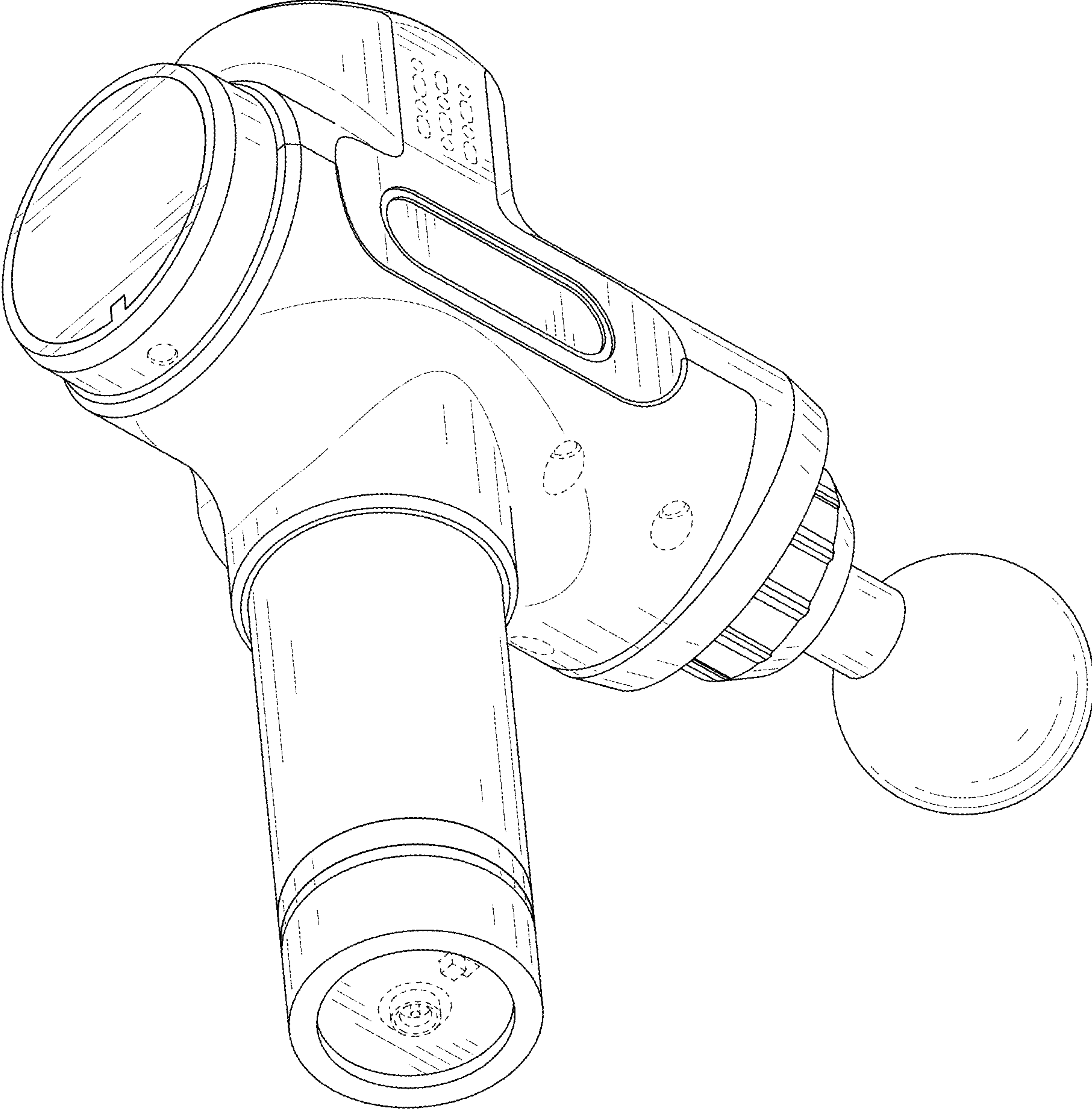


FIG. 2

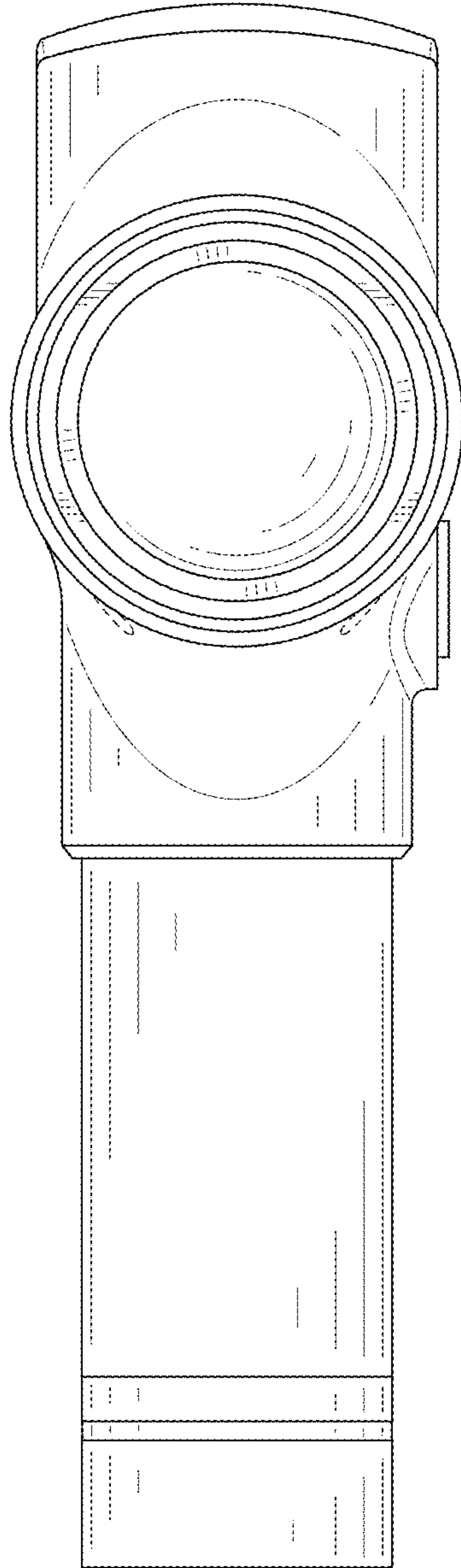


FIG. 3



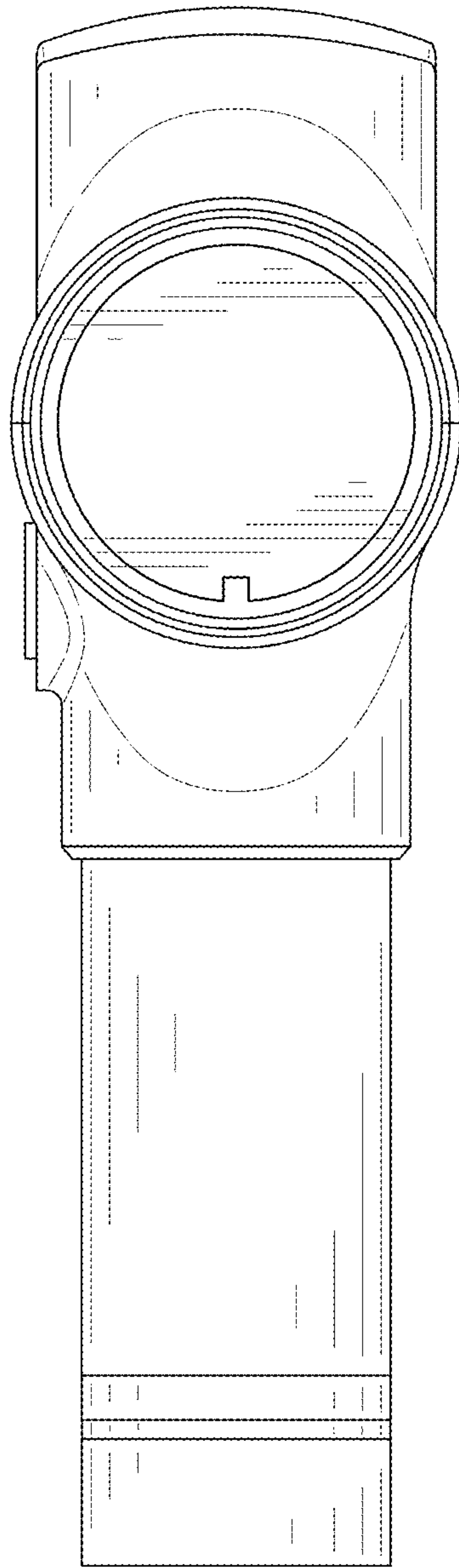


FIG. 4

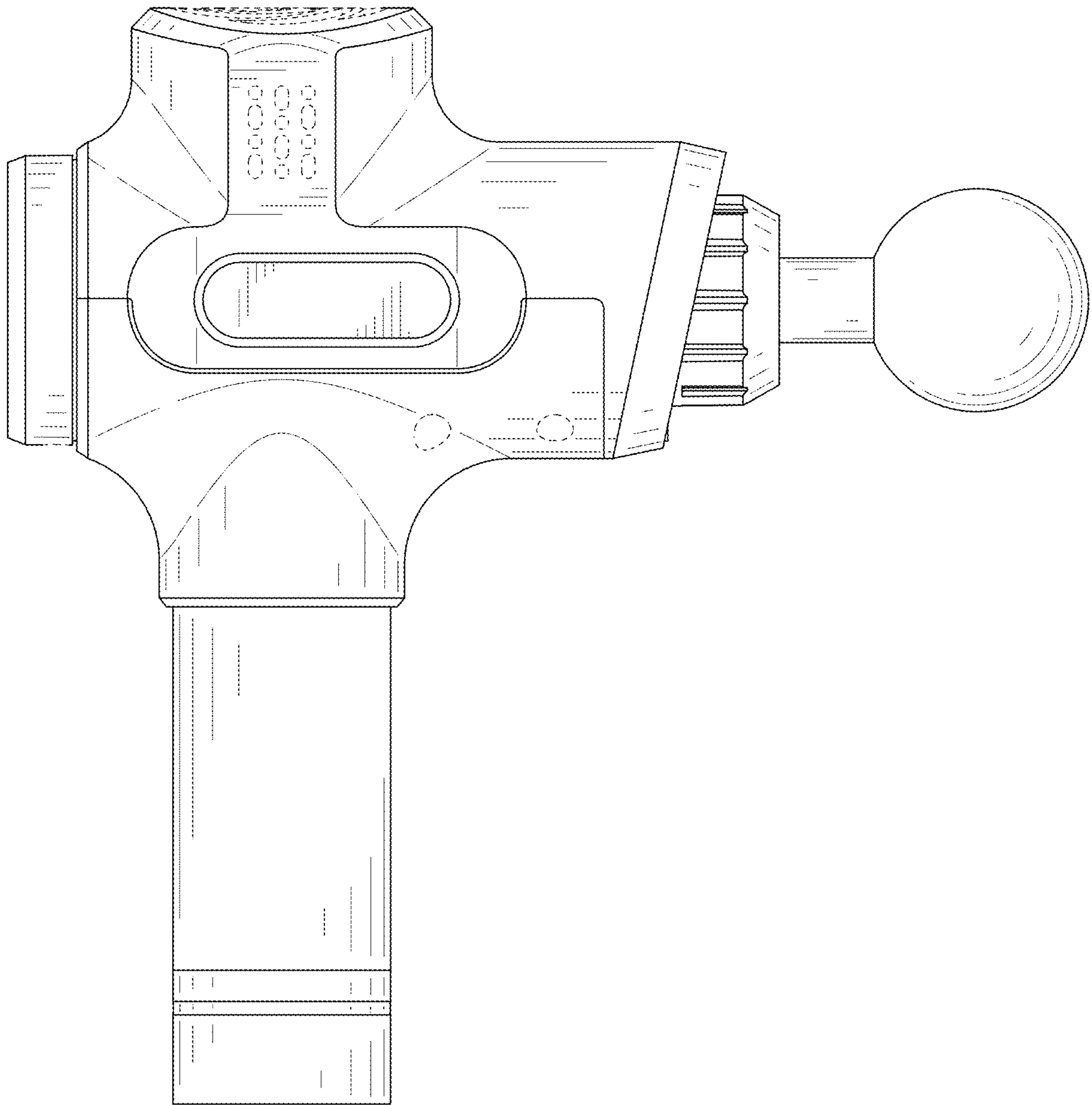


FIG. 5

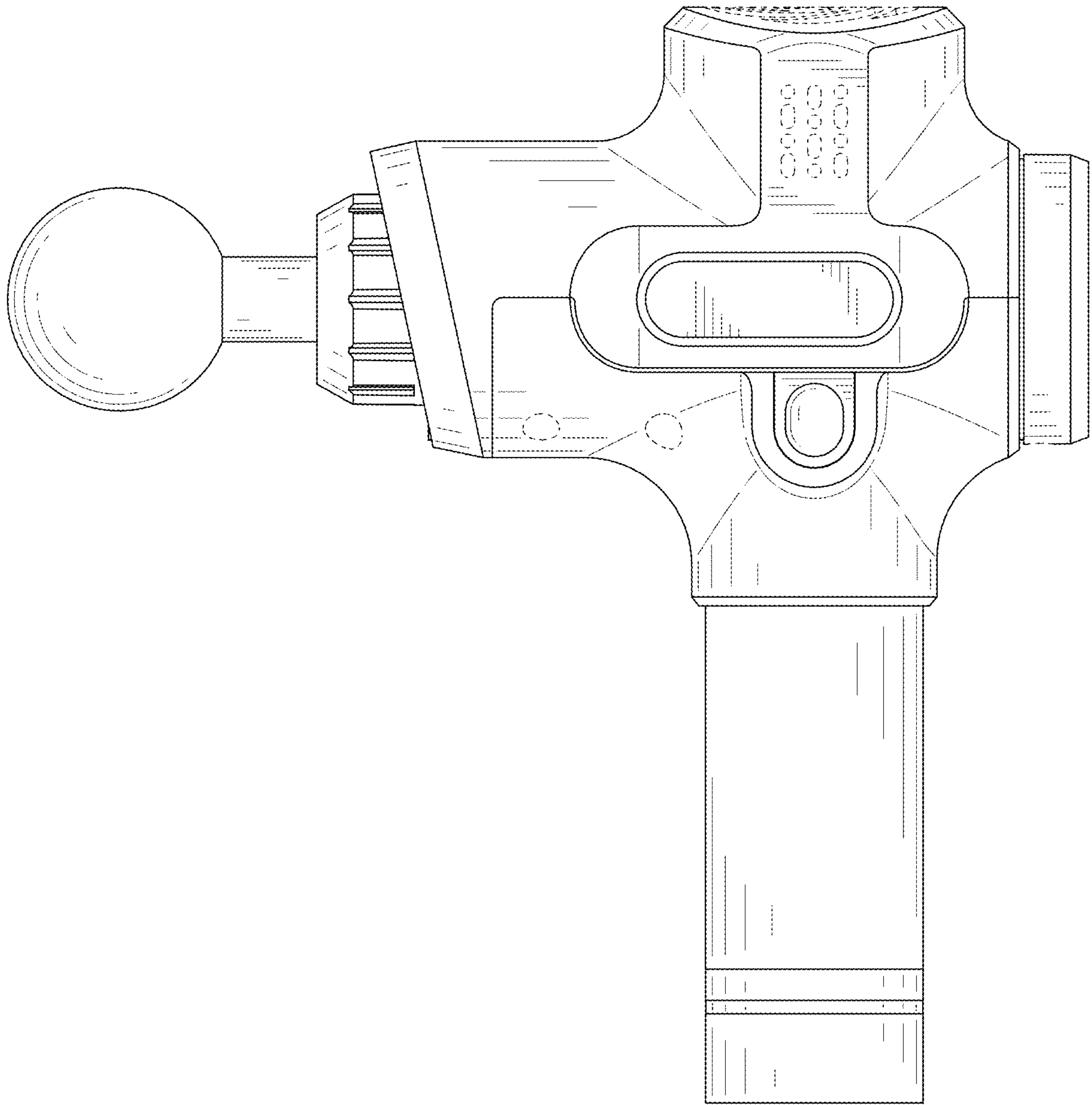


FIG. 6

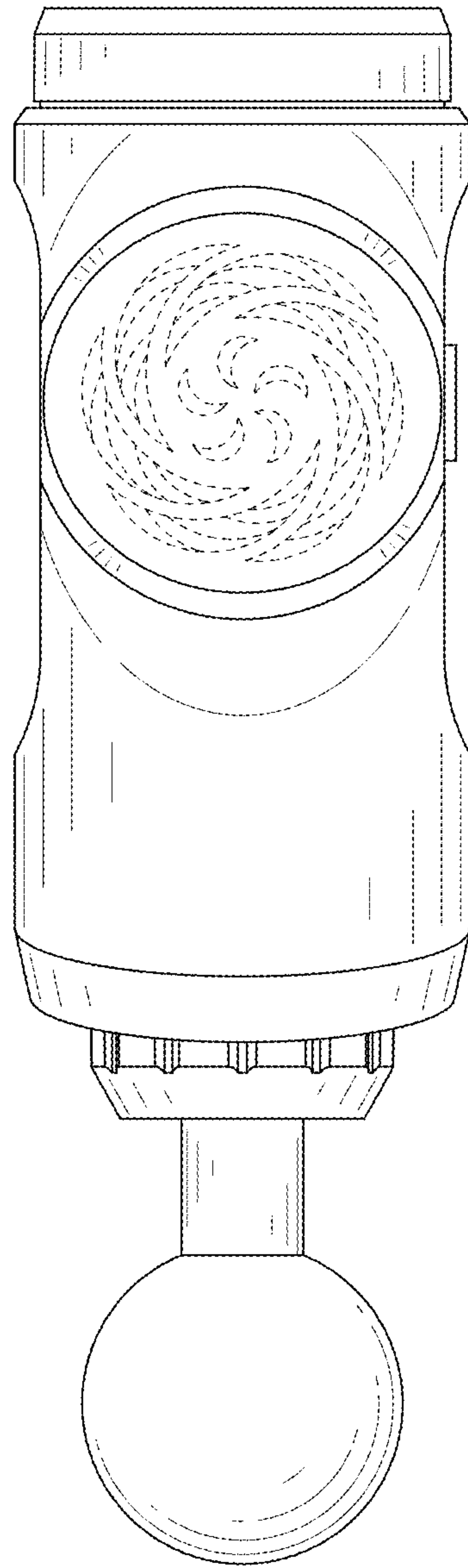


FIG. 7



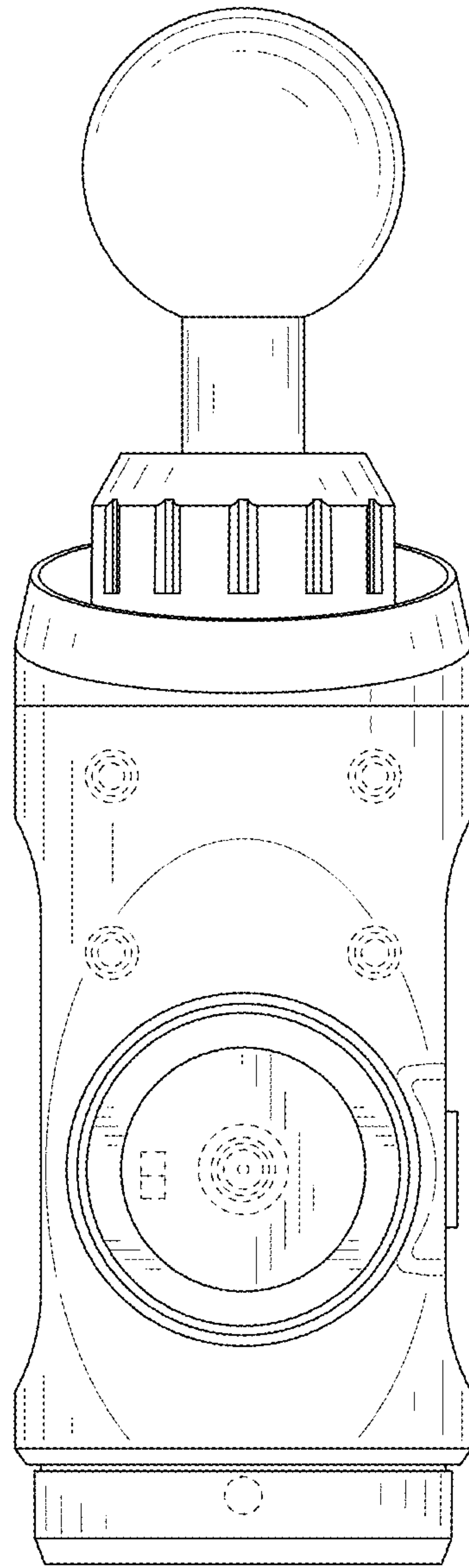


FIG. 8