



US00D875960S

(12) **United States Design Patent** (10) **Patent No.:** **US D875,960 S**
Savard (45) **Date of Patent:** **** Feb. 18, 2020**

- (54) **ORTHOTIC FOOT BRACE** D503,480 S 3/2005 Ingimundarson et al.
- (71) Applicant: **ORTHÈSES TURBOMED INC. /** D583,062 S 12/2008 Nace
TURBOMED ORTHOTICS INC., 7,806,844 B2 * 10/2010 Outred A61F 5/0113
Quebec (CA) 602/28
- (72) Inventor: **Stéphane Savard, Québec (CA)** D635,269 S 3/2011 Franke et al.
- (73) Assignee: **ORTHÈSES TURBOMED INC. /** 8,465,445 B2 * 6/2013 George A61F 5/0111
TURBOMED ORTHOTICS INC., 602/23
Quebec (CA) 8,529,484 B2 9/2013 Savard et al.
- (**) Term: **15 Years** 9,186,270 B2 * 11/2015 Blanck A61F 5/0111

(21) Appl. No.: **29/622,444**

(22) Filed: **Oct. 17, 2017**

Related U.S. Application Data

(62) Division of application No. 29/544,252, filed on Nov. 2, 2015, now Pat. No. Des. 804,044.

(51) **LOC (12) Cl.** **24-01**

(52) **U.S. Cl.**
USPC **D24/192**

(58) **Field of Classification Search**
USPC D24/190-192; D29/120.1, 121.1, 122,
D29/121.2

CPC A61F 5/0111; A61F 5/0113; A61F 5/0127;
A61F 5/0585; A61F 5/0195

See application file for complete search history.

(56) **References Cited**

U.S. PATENT DOCUMENTS

- 5,020,523 A 6/1991 Bodine
- 5,143,058 A * 9/1992 Luber A61F 5/0585
602/28
- D373,194 S 8/1996 Grifka
- D437,059 S 1/2001 Williams
- 6,319,218 B1 11/2001 Birmingham
- 6,428,493 B1 8/2002 Pior et al.

- 8,529,484 B2 9/2013 Savard et al.
- 9,186,270 B2 * 11/2015 Blanck A61F 5/0111
- 9,414,951 B2 * 8/2016 Baker A63B 21/0004
- D779,078 S * 2/2017 Drewitz D24/192
- D787,077 S * 5/2017 Lindsay D24/192
- D804,044 S * 11/2017 Savard D24/192
- D825,767 S * 8/2018 Kruchem D24/192
- 10,159,592 B2 * 12/2018 Ingimundarson A61F 5/022

(Continued)

FOREIGN PATENT DOCUMENTS

WO 2011097723 A1 8/2011

Primary Examiner — Jennifer L Watkins

(74) *Attorney, Agent, or Firm* — Norton Rose Fulbright
Canada LLP; Alexandre Daoust

(57) **CLAIM**

The ornamental design for an orthotic foot brace, as shown and described.

DESCRIPTION

FIG. 1 is a perspective view of an orthotic foot brace showing my new design;

FIG. 2 is a left side elevation view thereof;

FIG. 3 is a front elevation view thereof;

FIG. 4 is a top plan view thereof;

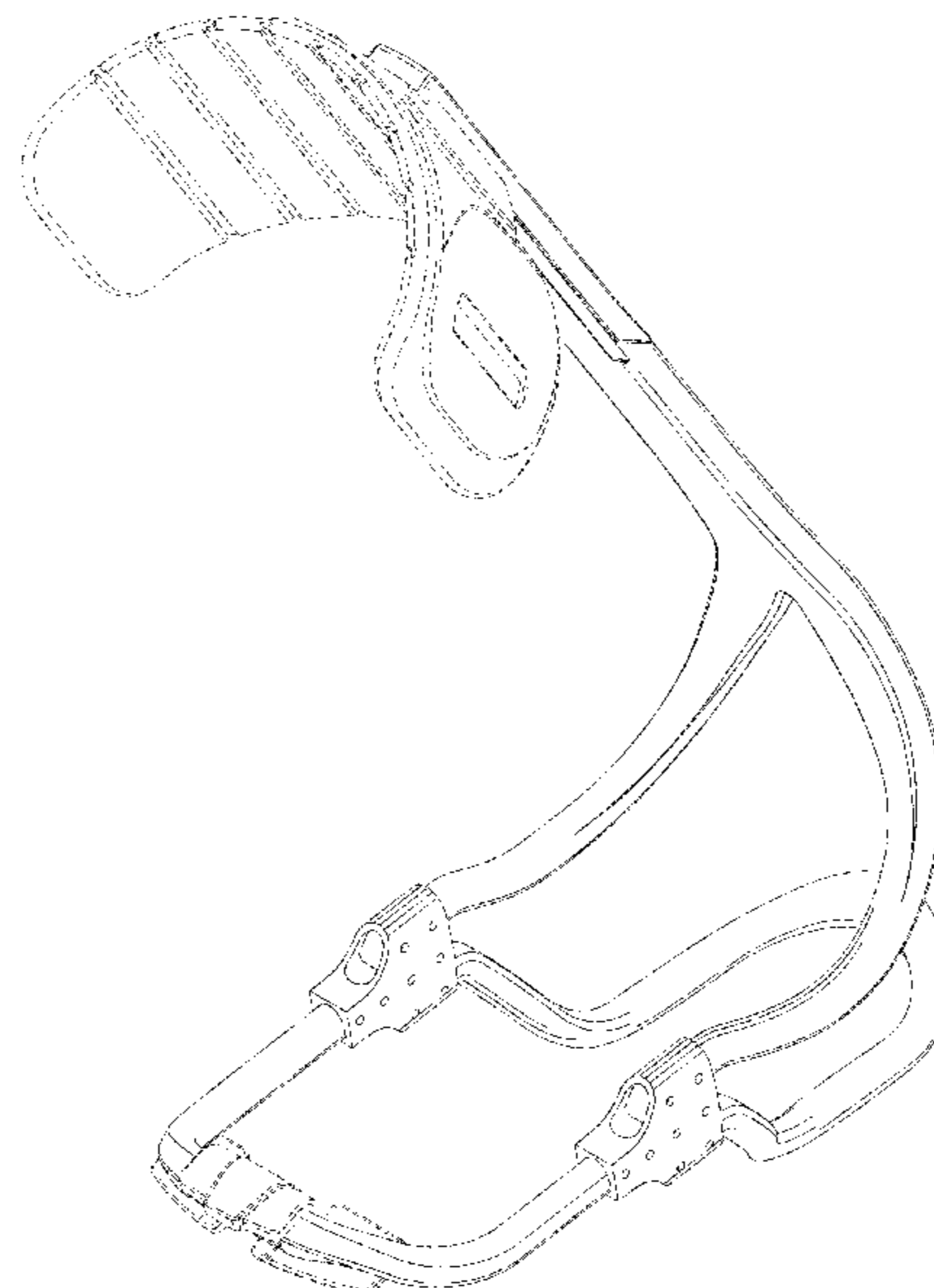
FIG. 5 is a rear elevation view thereof;

FIG. 6 is a bottom view thereof; and,

FIG. 7 is a is another perspective view, in which the front portion is shown in a retracted state.

The broken lines are for the purpose of illustrating portions of an orthotic foot brace that form no part of the claim.

1 Claim, 7 Drawing Sheets



(56)

References Cited

U.S. PATENT DOCUMENTS

2001/0031936 A1 10/2001 Pior et al.
2004/0082895 A1 4/2004 Price et al.
2006/0270958 A1 11/2006 George
2008/0243042 A1 10/2008 Balzer

* cited by examiner

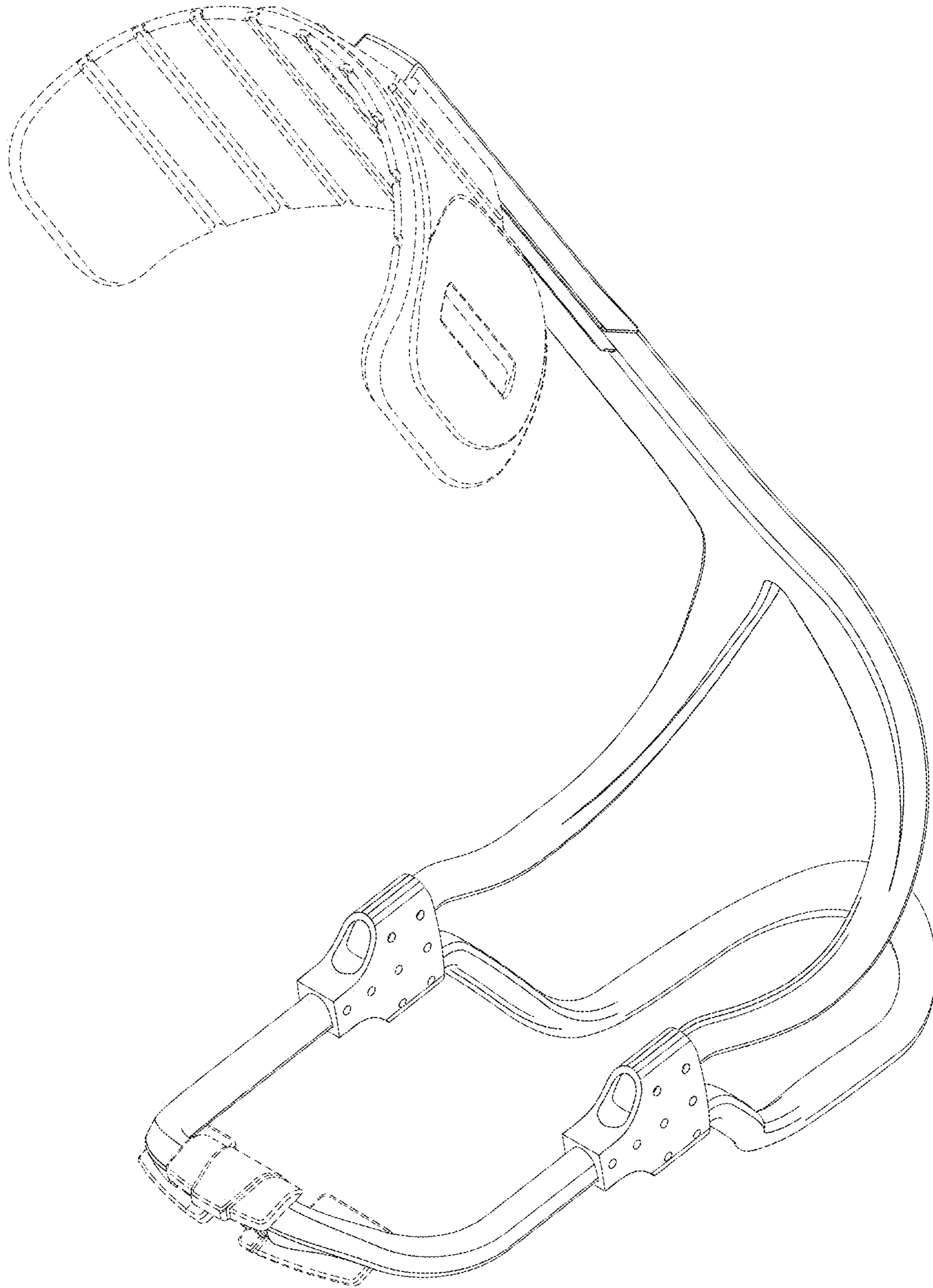


FIG. 1

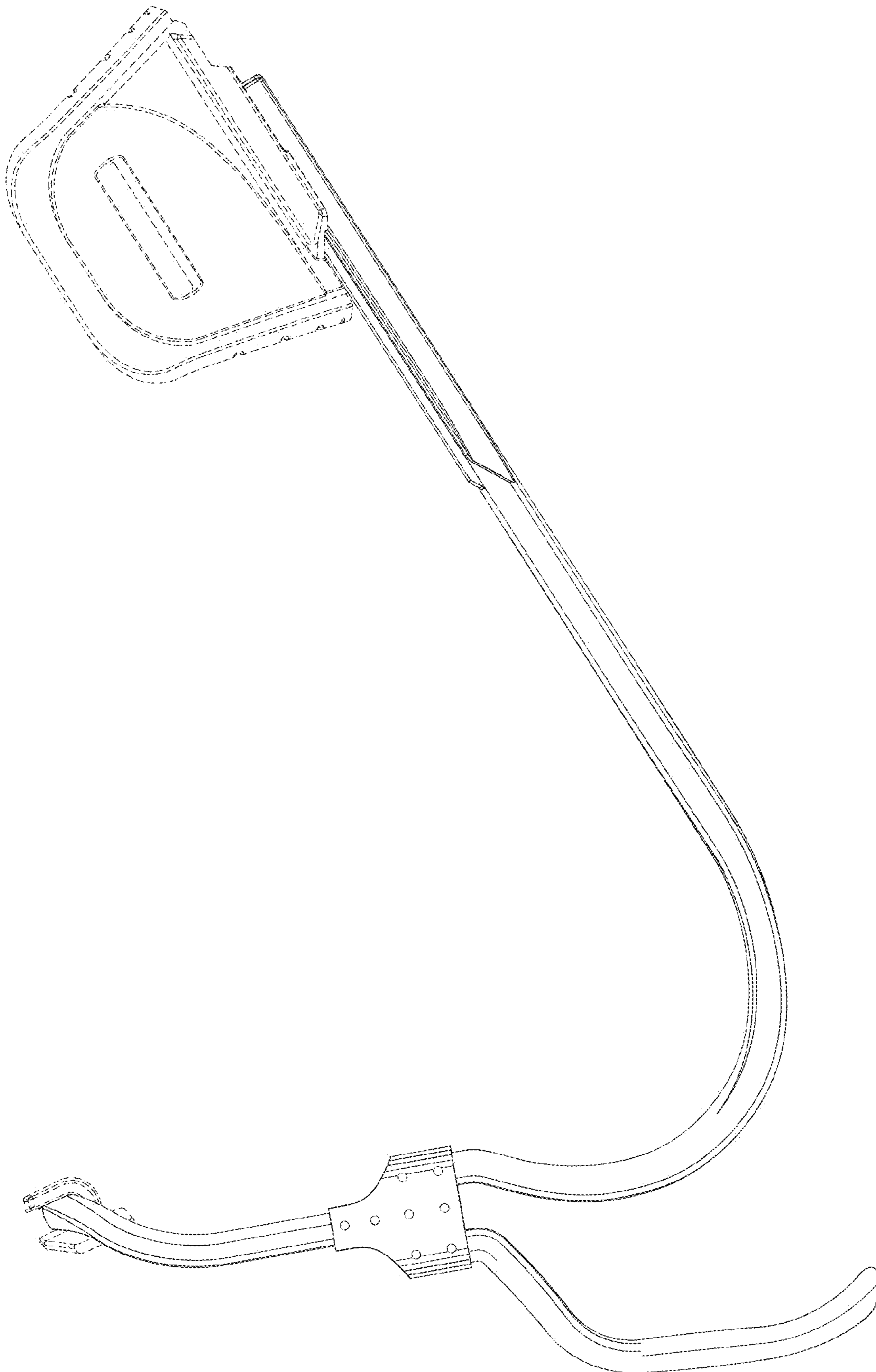


FIG. 2

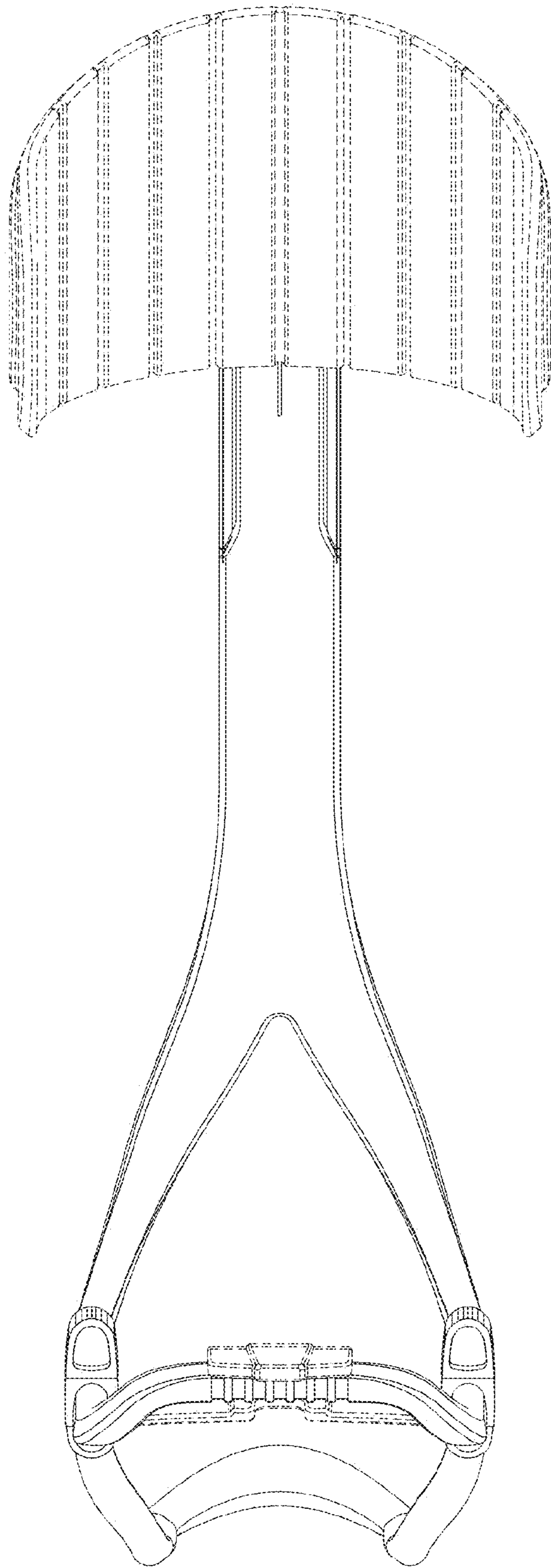


FIG. 3

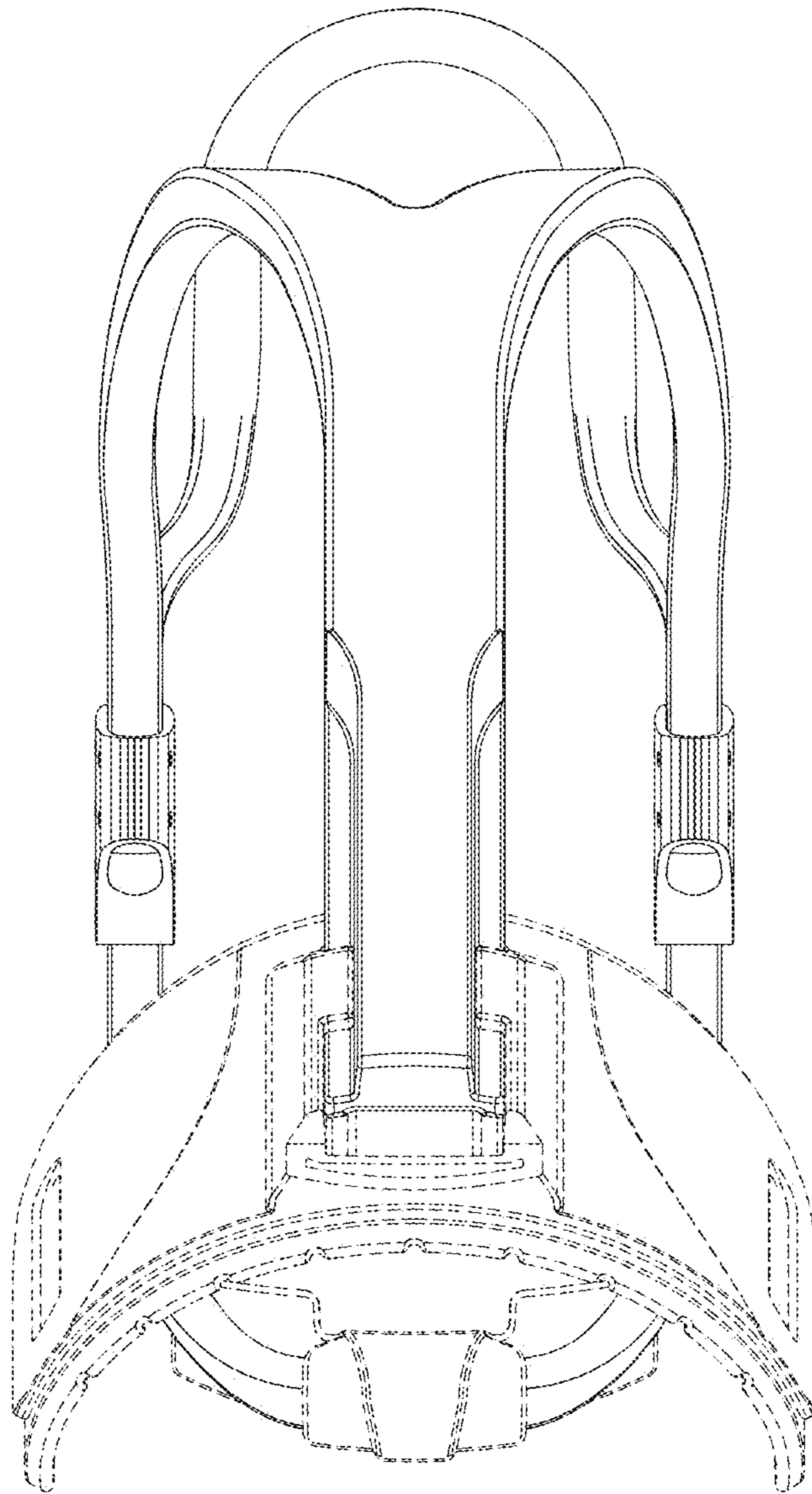


FIG. 4

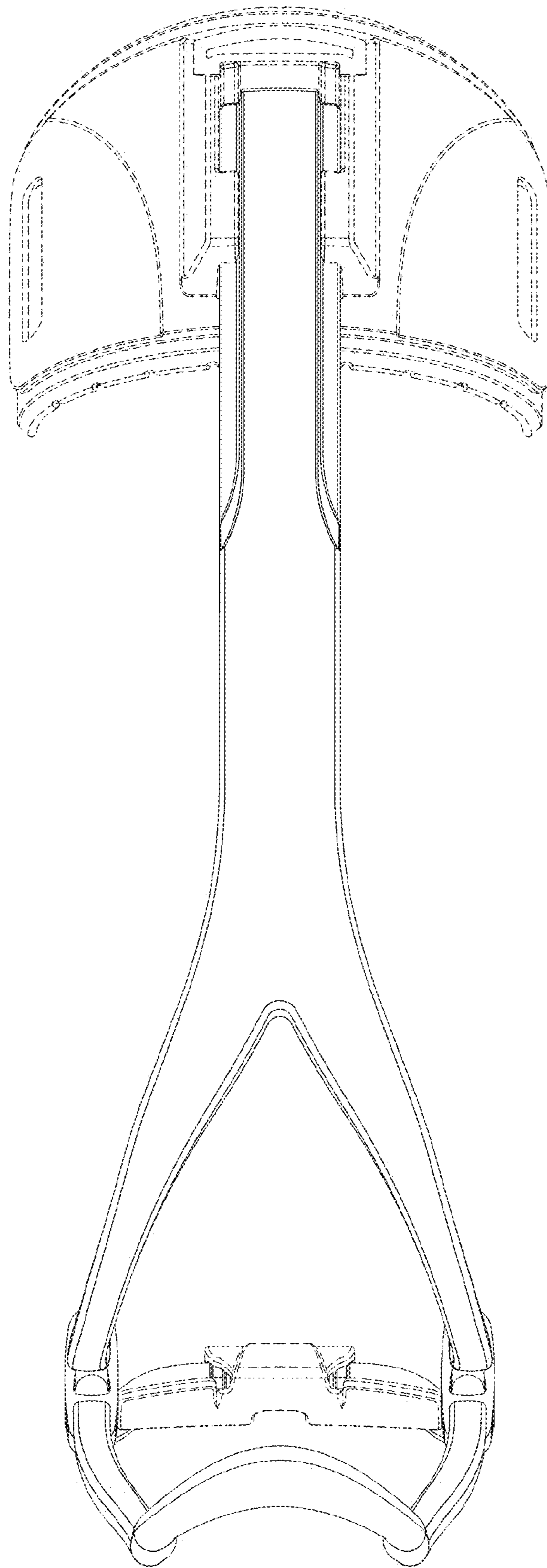


FIG. 5

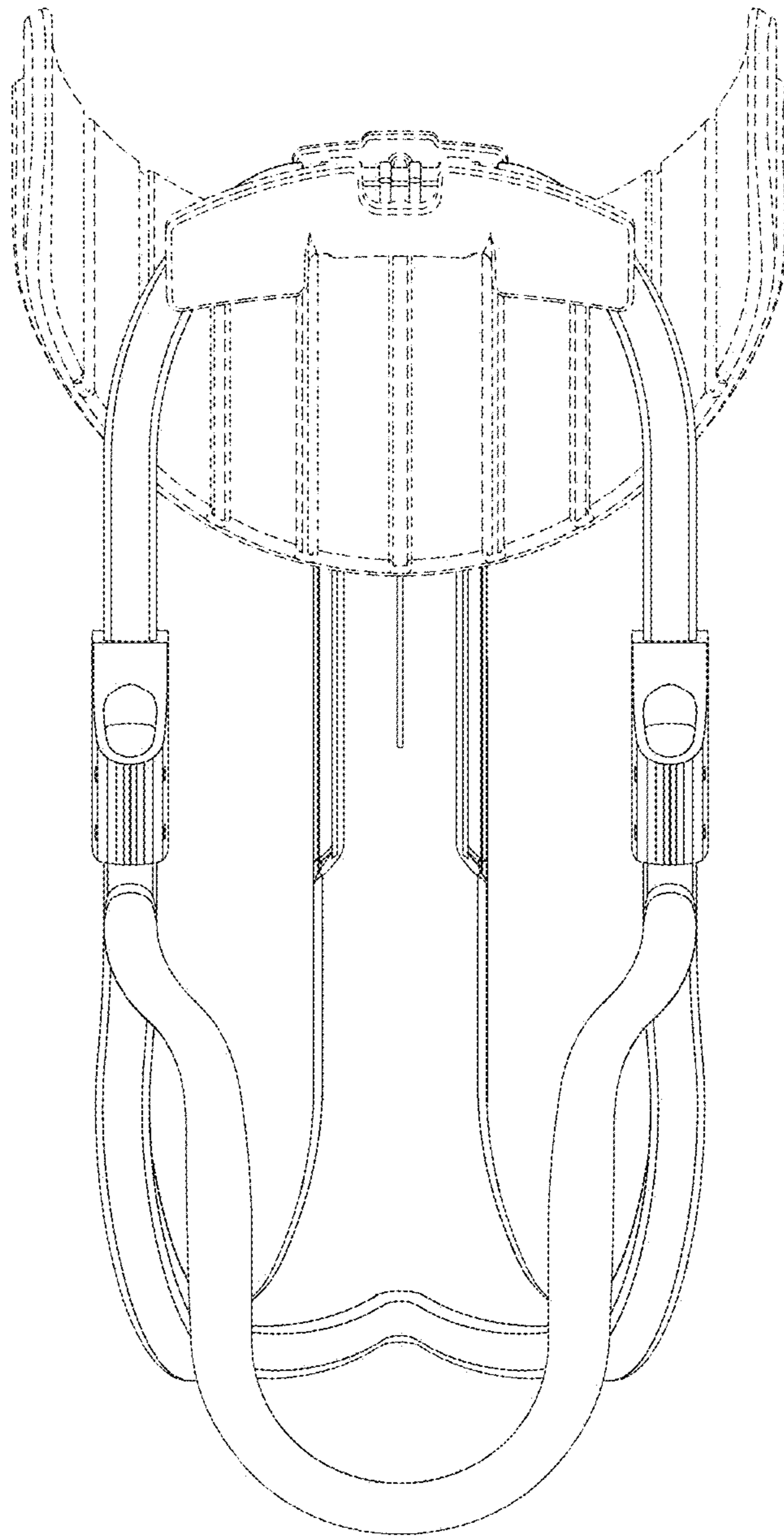


FIG. 6

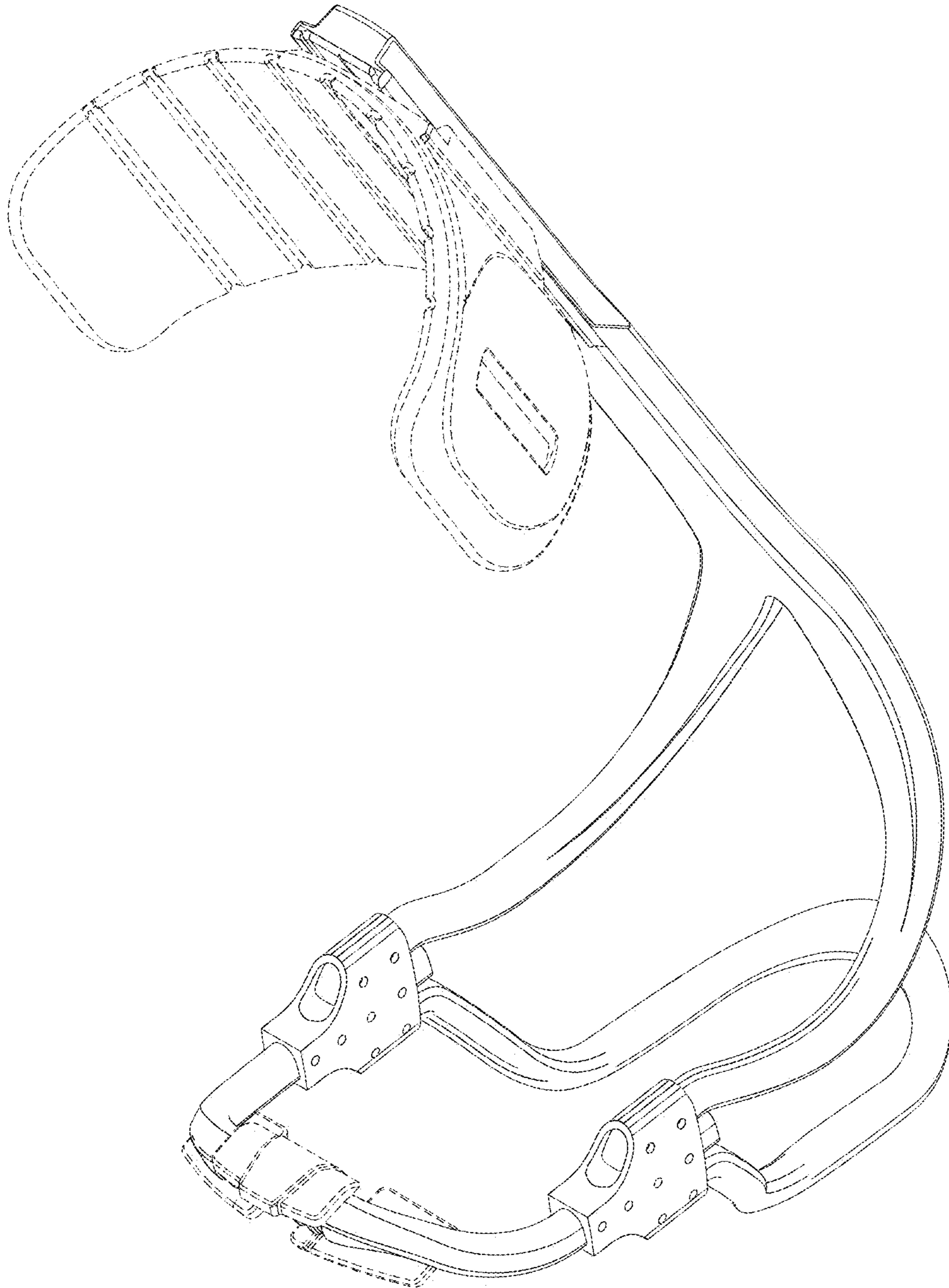


FIG. 7