



US00D875953S

(12) **United States Design Patent**
Wang et al.

(10) **Patent No.:** **US D875,953 S**
(45) **Date of Patent:** **** Feb. 18, 2020**

(54) **MEDICAL DRESSING**

(71) Applicant: **3M INNOVATIVE PROPERTIES COMPANY**, Saint Paul, MN (US)

(72) Inventors: **Dan Wang**, Shanghai (CN); **Steven B. Heinecke**, New Richmond, WI (US); **Richard L. Jacobson**, Stillwater, MN (US); **Ying Zhang**, Woodbury, MN (US)

(73) Assignee: **3M Innovative Properties Company**, Saint Paul, MN (US)

(**) Term: **15 Years**

(21) Appl. No.: **29/654,852**

(22) Filed: **Jun. 28, 2018**

(51) **LOC (12) Cl.** **24-04**

(52) **U.S. Cl.**
USPC **D24/189**

(58) **Field of Classification Search**
USPC D24/112, 124–128, 132, 133, 185–193,
D24/199, 200, 206, 209, 210, 212–215;
(Continued)

(56) **References Cited**

U.S. PATENT DOCUMENTS

5,685,859 A * 11/1997 Kornerup A61M 25/02
604/179
6,124,521 A 9/2000 Roberts
(Continued)

FOREIGN PATENT DOCUMENTS

CN 103284838 9/2013
WO 2004-026389 4/2004

OTHER PUBLICATIONS

Fralock. Hydrocolloid Adhesive System. No date specified. <https://www.fralock.com/aerospace/composite-materials/wound-care-products/hydrocolloid/> (Year: 0).*

Primary Examiner — Darcey E Gottschalk
(74) *Attorney, Agent, or Firm* — 3M Innovative Properties Company; Trisha D. Adamson

(57) **CLAIM**

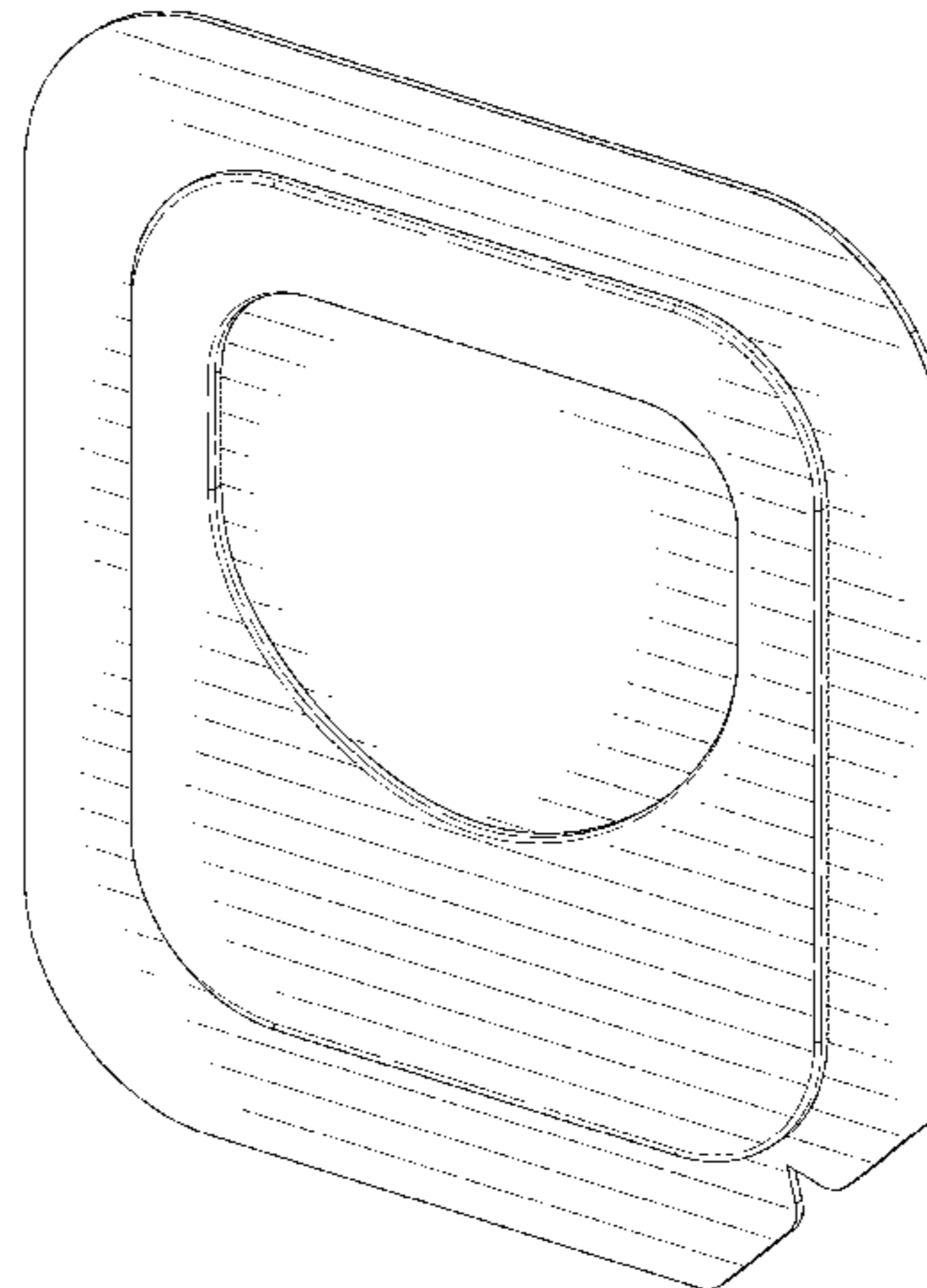
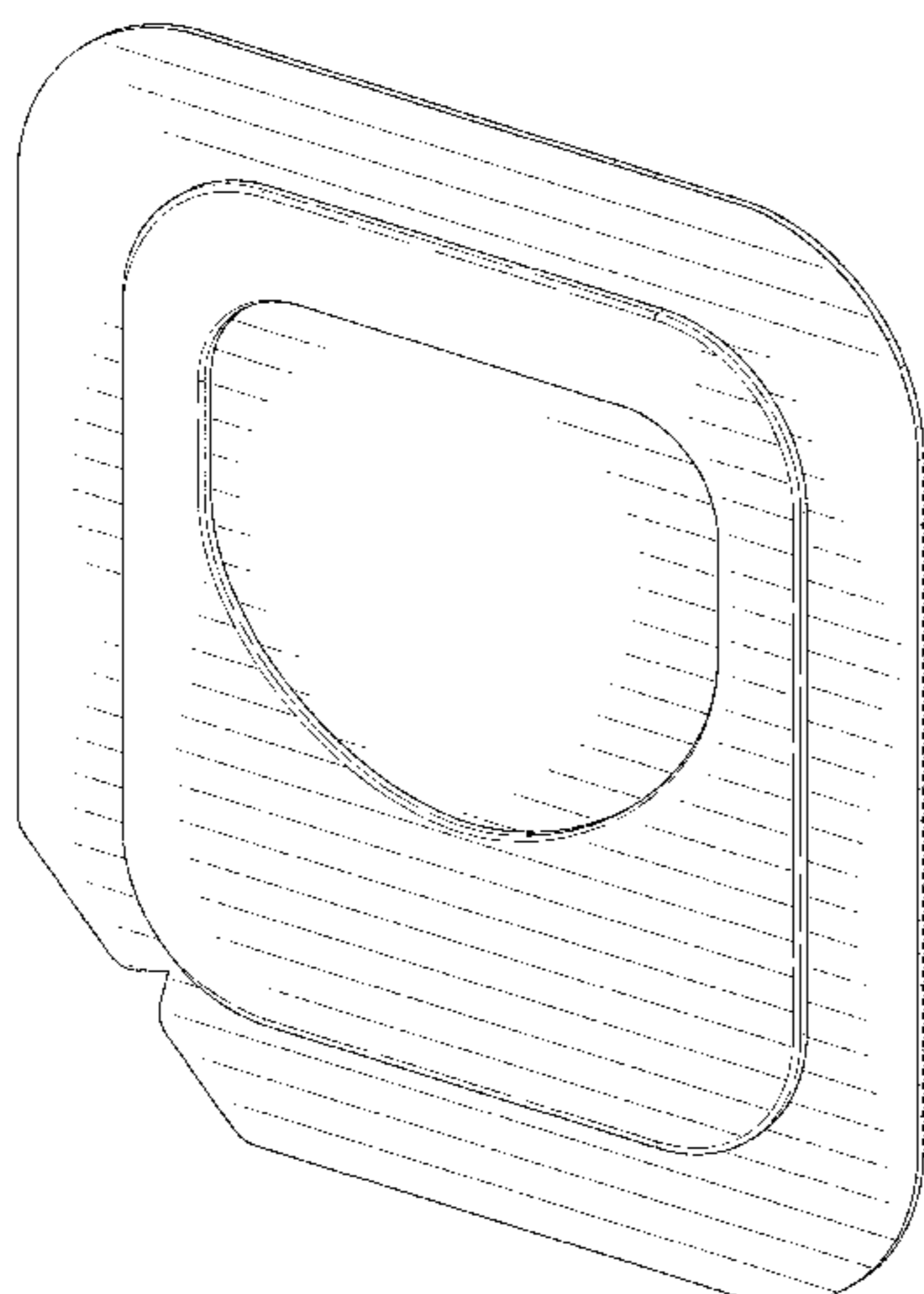
The ornamental design for a medical dressing, as shown and described.

DESCRIPTION

FIG. 1 is a perspective view of a medical dressing; FIG. 2 is a top plan view of the medical dressing of FIG. 1; FIG. 3 is a bottom plan view of the medical dressing of FIG. 1; FIG. 4 is a right side elevational view of the medical dressing of FIG. 1; FIG. 5 is a left side elevational view of the medical dressing of FIG. 1; FIG. 6 is a back elevational view of the medical dressing of FIG. 1; FIG. 7 is a front elevational view of the medical dressing of FIG. 1; FIG. 8 is a perspective view of a second embodiment of a medical dressing; FIG. 9 is a top plan view of the medical dressing of FIG. 8; FIG. 10 is a bottom plan view of the medical dressing of FIG. 8; FIG. 11 is a right side elevational view of the medical dressing of FIG. 8; FIG. 12 is a left side elevational view of the medical dressing of FIG. 8; FIG. 13 is a back elevational view of the medical dressing of FIG. 8; and, FIG. 14 is a front elevational view of the medical dressing of FIG. 8.

The surface shading illustrated in the drawings is provided merely to highlight the contour of design; it is not intended to be illustrative of texture or gloss.

1 Claim, 6 Drawing Sheets



US D875,953 S

Page 2

(58) **Field of Classification Search**

USPC D29/100, 108, 120.1, 121.1, 121.2;
D30/146
CPC . A61M 1/0088; A61F 13/00; A61F 13/00021;
A61F 13/066; A61F 13/0206; A61F
13/0203; A61F 13/00025; A61F
13/00038; A61F 13/023; A61F 13/0243;
A61F 13/0266
See application file for complete search history.

(56) **References Cited**

U.S. PATENT DOCUMENTS

7,888,546 B2 * 2/2011 Marcoux A61F 13/0203
602/52
D634,423 S 3/2011 Heinecke
8,212,101 B2 * 7/2012 Propp A61F 13/0269
602/41

D679,403 S * 4/2013 Heinecke D24/189
D688,377 S * 8/2013 Heinecke D24/189
D690,425 S * 9/2013 Heinecke D24/189
D755,980 S * 5/2016 Jakobsen D24/189
D783,840 S * 4/2017 Counts D24/189
D790,714 S * 6/2017 Addison D24/189
D792,977 S * 7/2017 Riesinger D24/189
9,717,635 B2 * 8/2017 Marsh A61F 13/534
D799,051 S * 10/2017 Maki D24/189
D804,677 S * 12/2017 Ramires D24/189
D804,678 S * 12/2017 Ramires D24/189
D808,024 S * 1/2018 Moore D24/189
D808,025 S * 1/2018 Moore D24/189
D808,026 S * 1/2018 Moore D24/189
D808,535 S * 1/2018 Camper D24/189
D834,201 S * 11/2018 Heinecke D24/189
D852,368 S * 6/2019 Ricks D24/189
2016/0015570 A1 * 1/2016 Heinecke A61F 13/0236
602/58

* cited by examiner

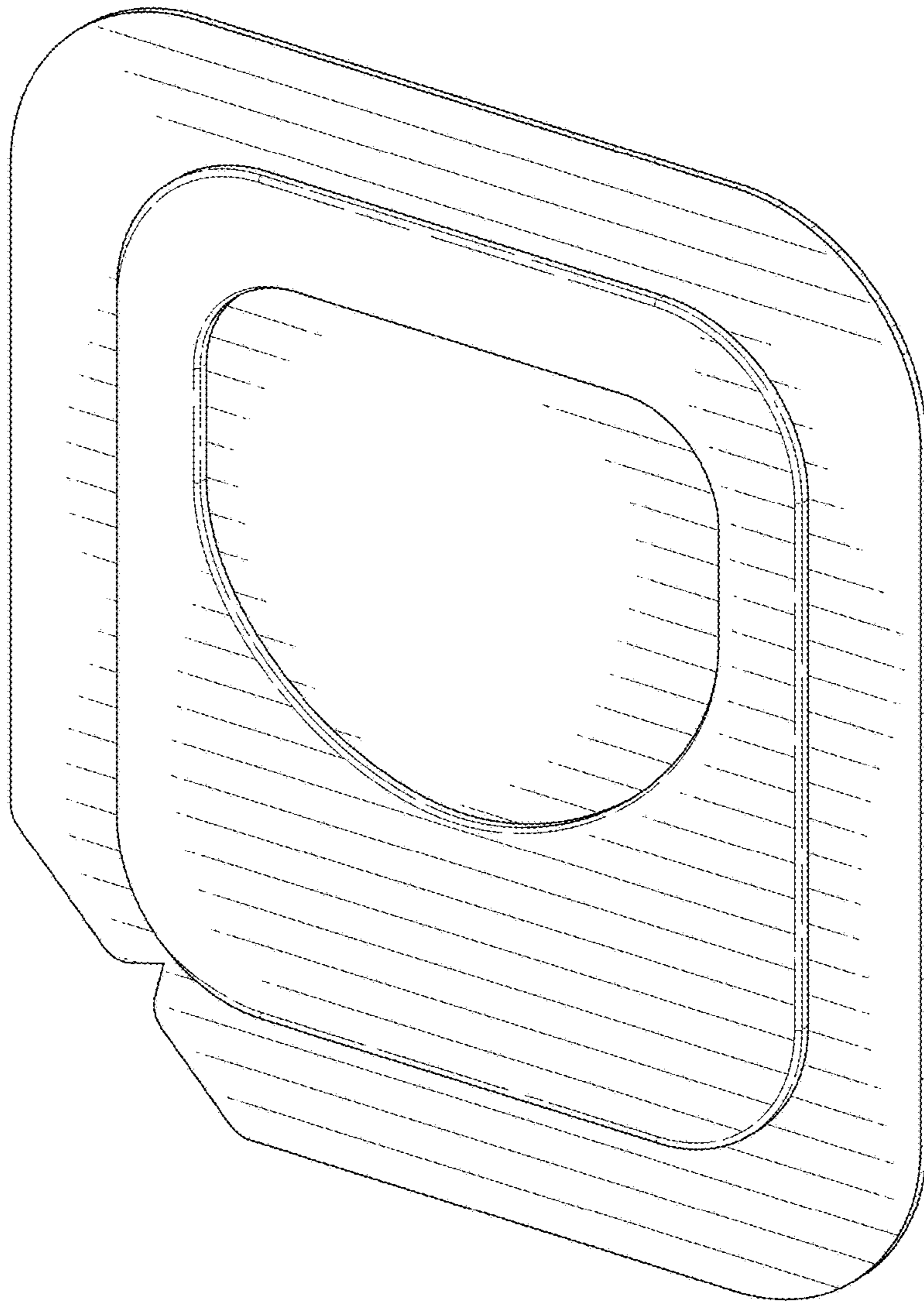


FIG. 1

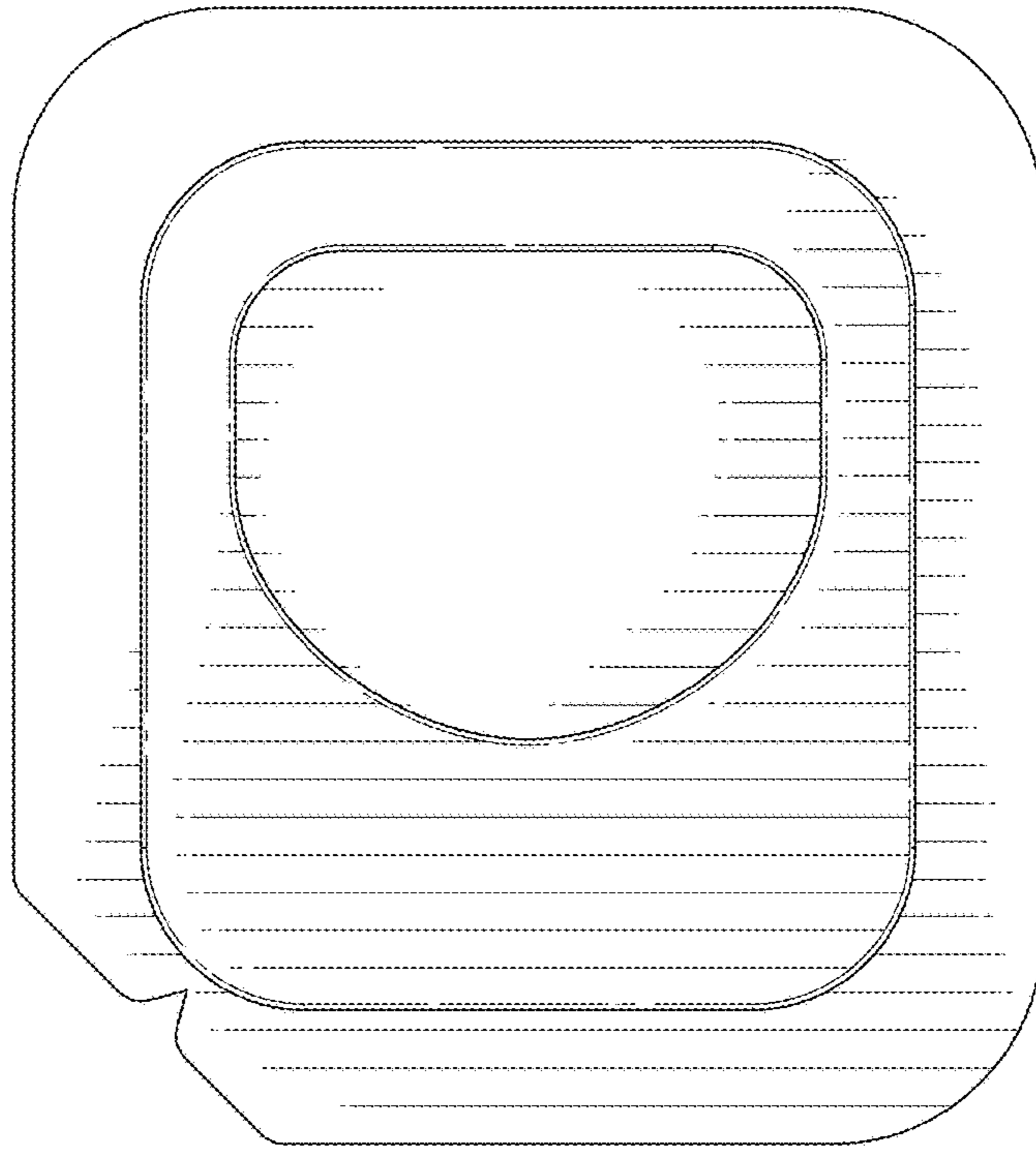


FIG. 2

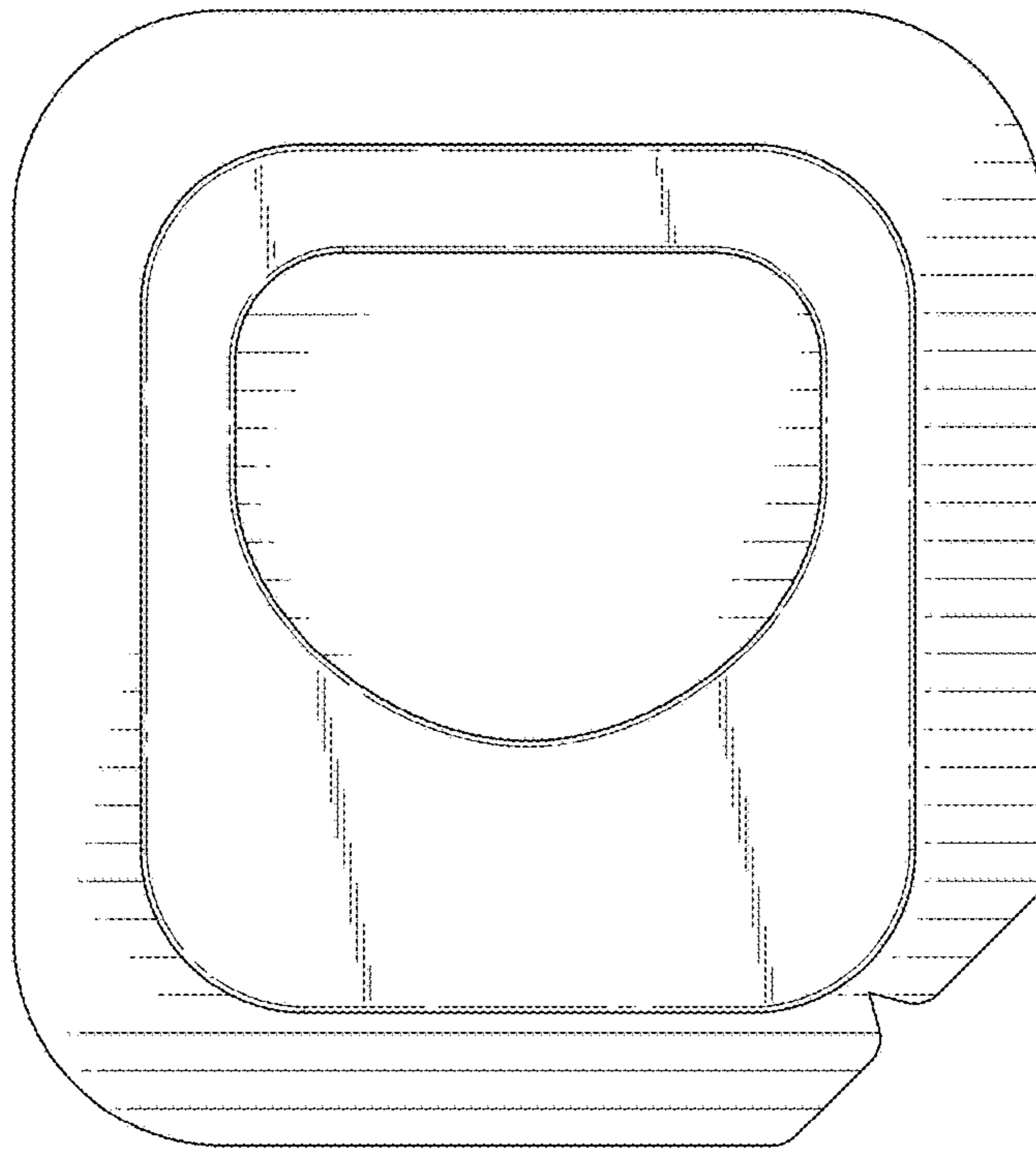


FIG. 3



FIG. 4

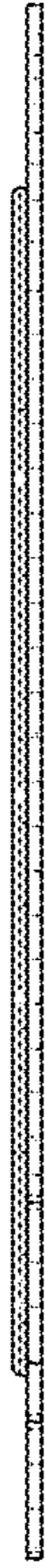


FIG. 5

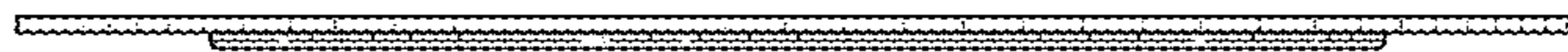


FIG. 6

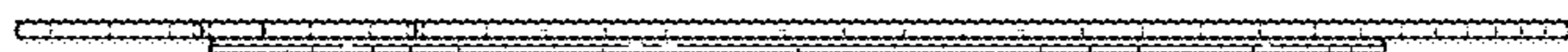


FIG. 7

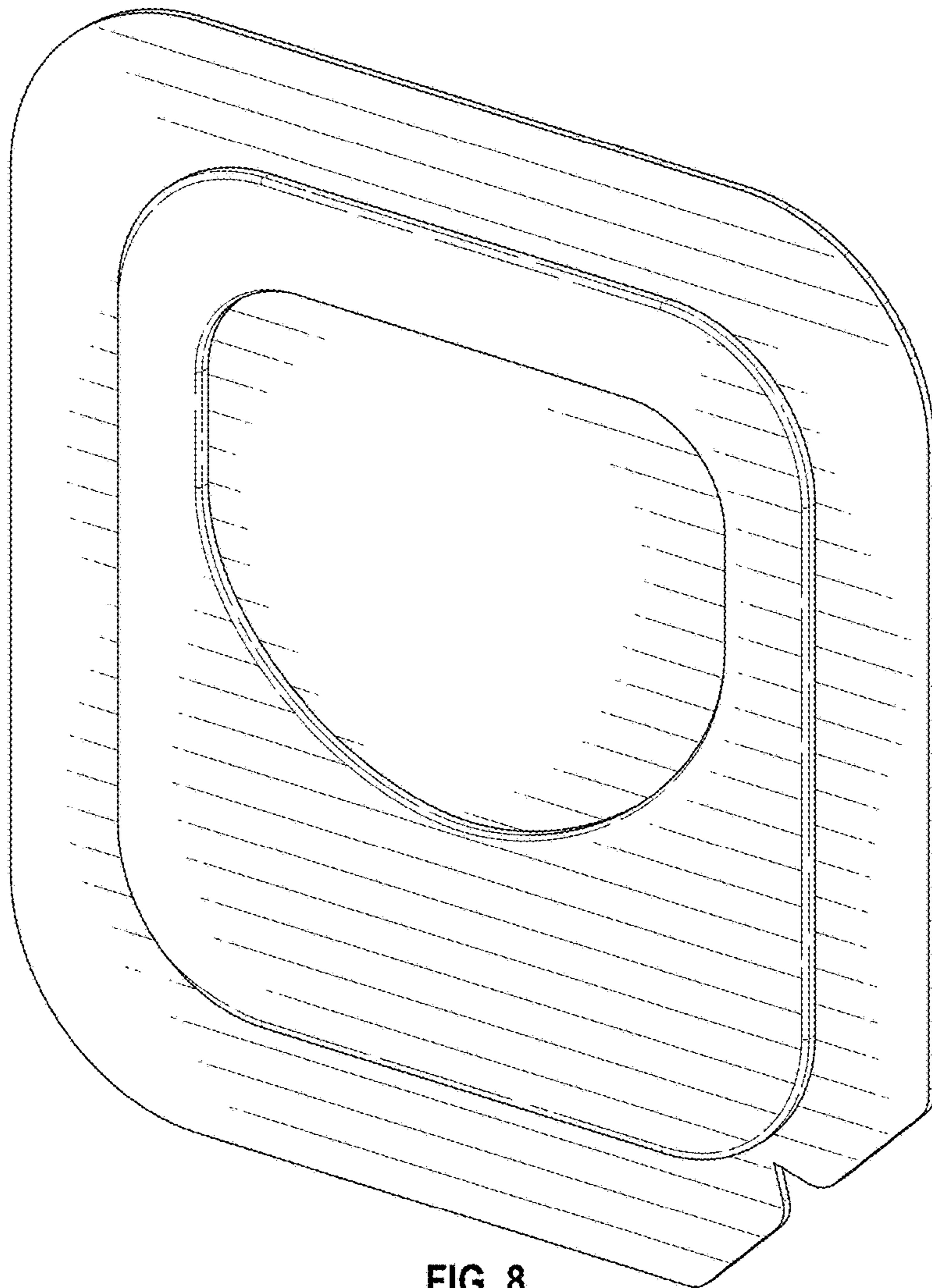


FIG. 8

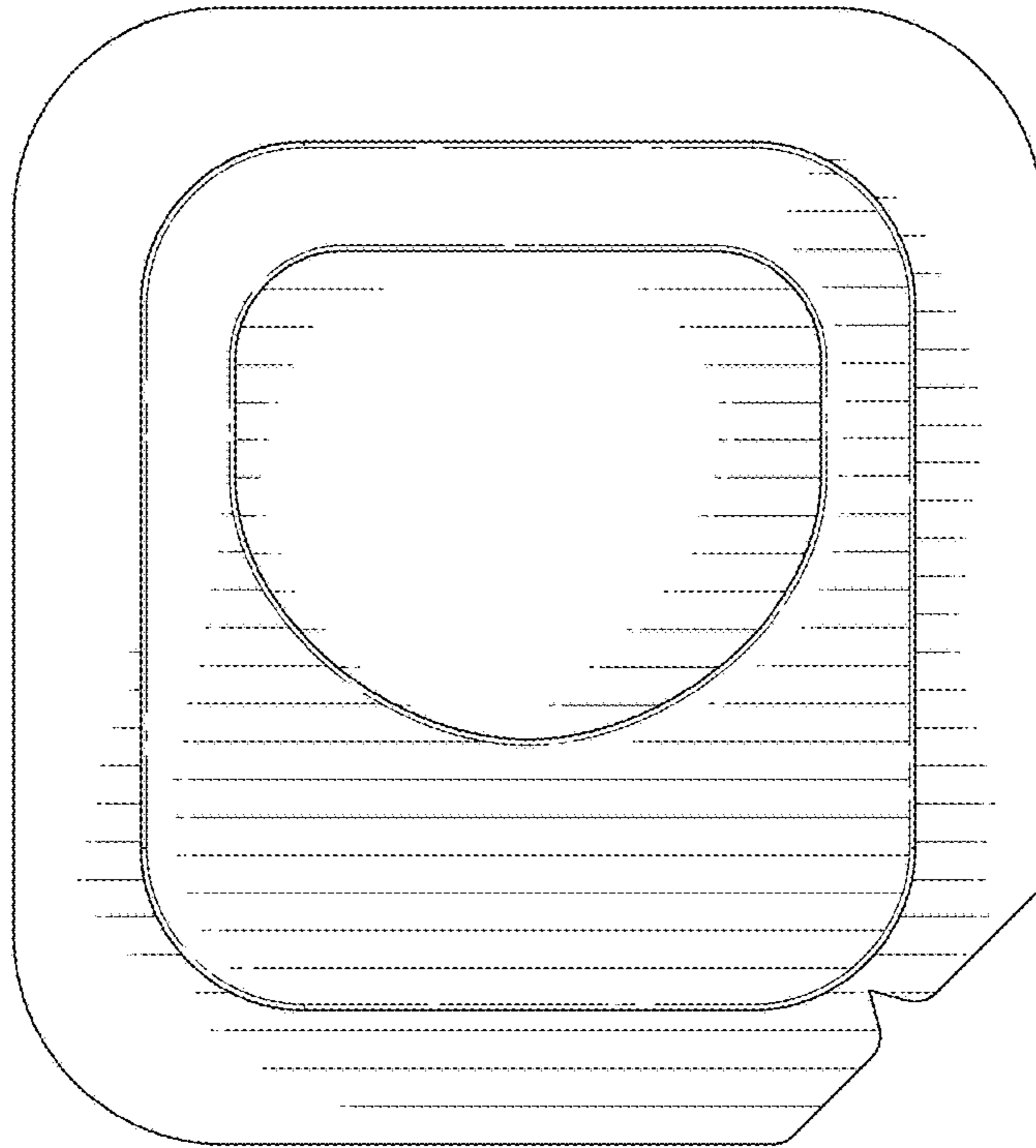


FIG. 9

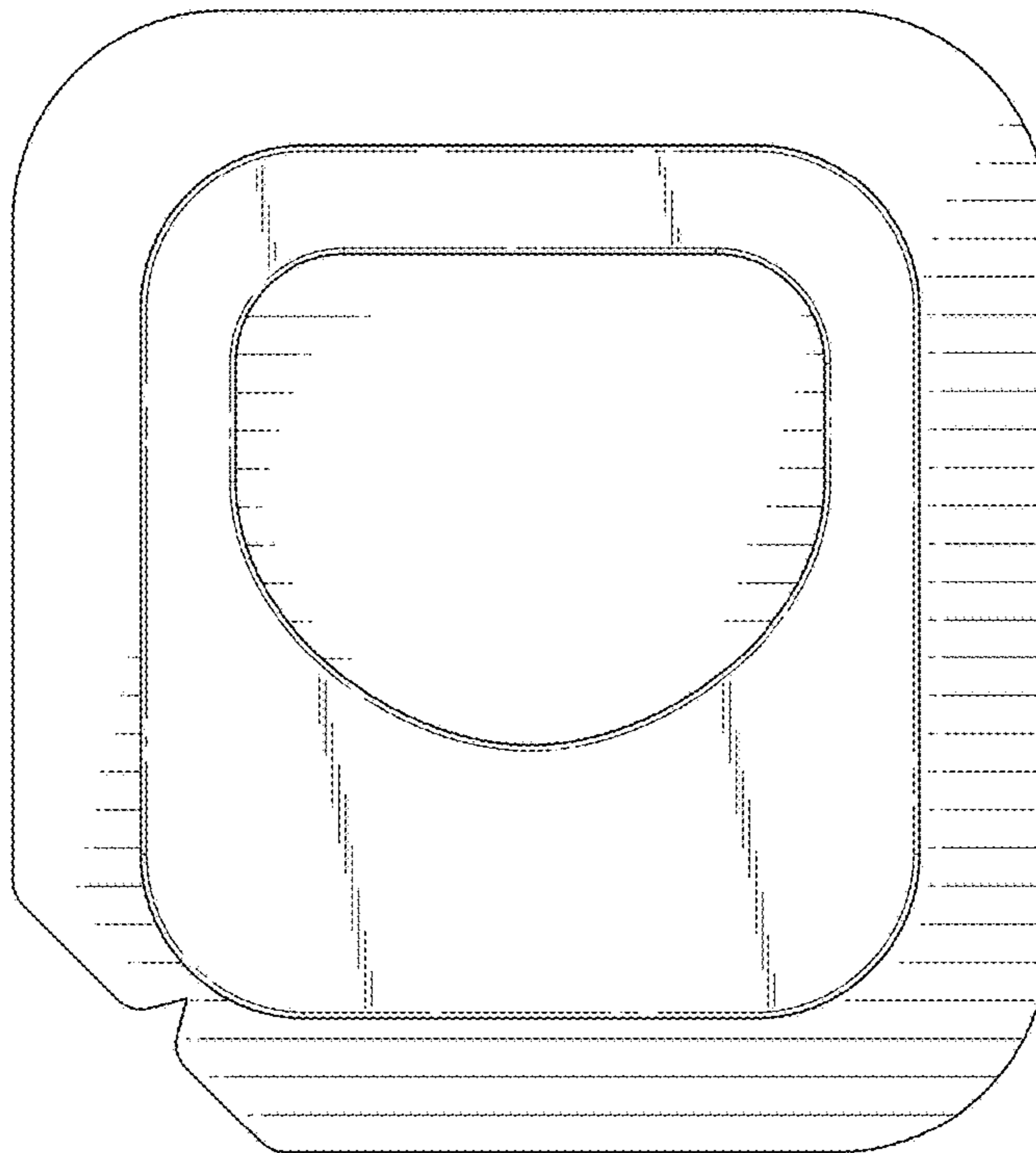


FIG. 10

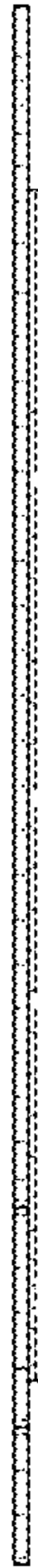


FIG. 11

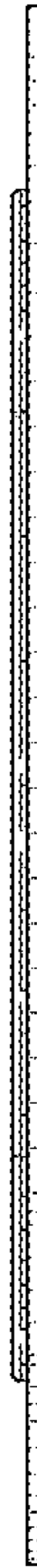


FIG. 12

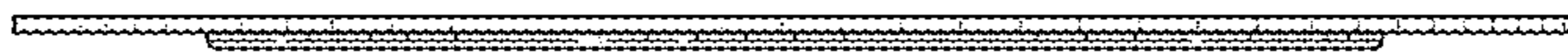


FIG. 13

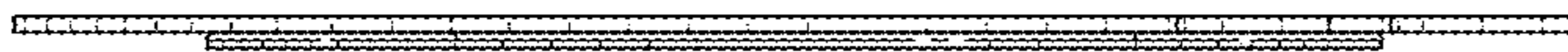


FIG. 14