



US00D875952S

(12) **United States Design Patent** (10) **Patent No.:** **US D875,952 S**
Tamez et al. (45) **Date of Patent:** **** Feb. 18, 2020**

(54) **ADHESIVE TAPE WITH SLIT**
(71) Applicants: **Oscar Tamez**, Georgetown, TX (US);
JoAnn Tamez, Georgetown, TX (US)
(72) Inventors: **Oscar Tamez**, Georgetown, TX (US);
JoAnn Tamez, Georgetown, TX (US)
(**) Term: **15 Years**
(21) Appl. No.: **29/636,199**
(22) Filed: **Feb. 7, 2018**
(51) **LOC (12) Cl.** **24-04**
(52) **U.S. Cl.**
USPC **D24/189**
(58) **Field of Classification Search**
USPC D24/188, 189, 191, 192, 206, 195, 198,
D24/208
CPC A61F 5/566
See application file for complete search history.

2004/0089310 A1 5/2004 Portnoy
2014/0000632 A1 1/2014 Chen, et al.
2014/0251335 A1 9/2014 Black et al.

FOREIGN PATENT DOCUMENTS

WO 02/32350 A1 4/2002

OTHER PUBLICATIONS

Christina Rice Wellness. How Mouth Taping Transformed My Sleep. Mar. 30, 2018. <https://christinaricewellness.com/how-mouth-taping-transformed-my-sleep/> (Year: 2018).*

* cited by examiner

Primary Examiner — Darcey E Gottschalk
(74) *Attorney, Agent, or Firm* — Maier & Maier, PLLC

(57) **CLAIM**

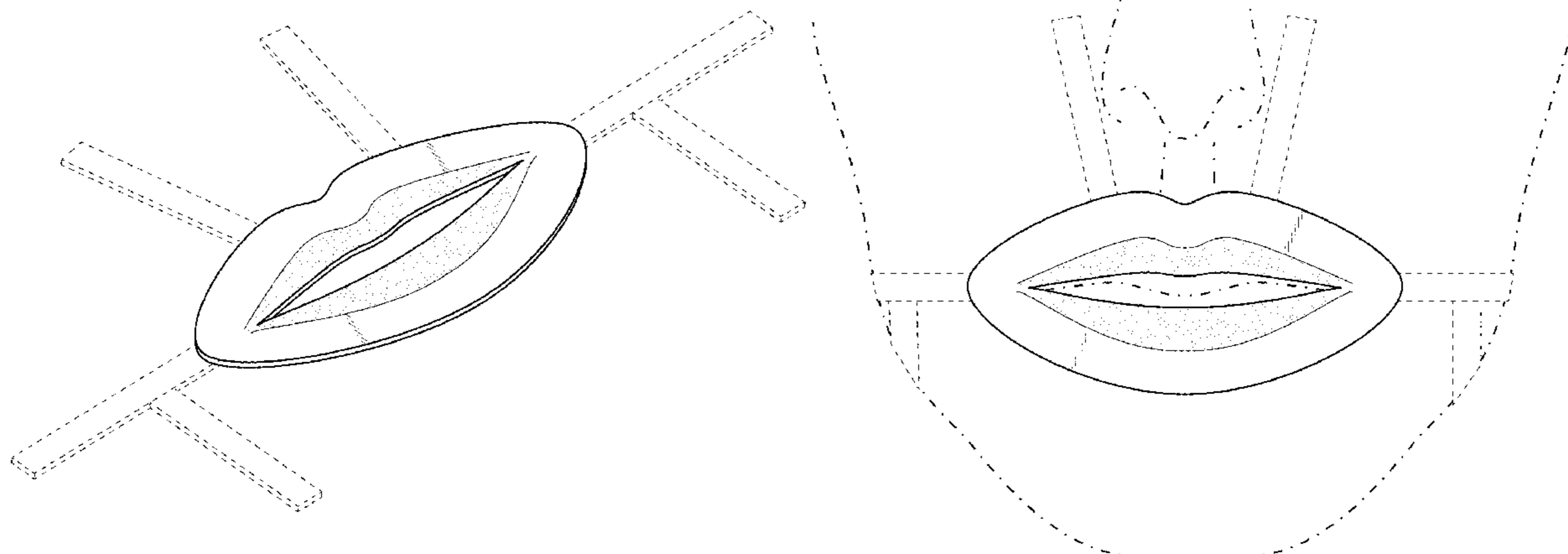
The ornamental design for an adhesive tape with slit, as shown and described.

DESCRIPTION

FIG. 1 is a top perspective view of an adhesive tape with slit, showing my design;
FIG. 2 is a front view thereof;
FIG. 3 is a top view thereof;
FIG. 4 is a bottom view thereof;
FIG. 5 is a left side view thereof;
FIG. 6 is a right side view thereof; and,
FIG. 7 is a front view thereof in use.
The dash-dash-dash broken line showing in the Figures shows portions of the adhesive tape with slit that form no part of the claimed design. The dash-dot-dash broken line showing in the Figures shows environment and forms no part of the claimed design. The stippling in the drawings indicates a contrast in appearance.

1 Claim, 3 Drawing Sheets

(56) **References Cited**
U.S. PATENT DOCUMENTS
1,354,652 A 10/1920 Jefferies
D269,462 S * 6/1983 Qually D21/661
D271,052 S * 10/1983 Qually D21/661
4,817,636 A 4/1989 Woods
D331,628 S * 12/1992 Dodson D21/661
D337,641 S * 7/1993 Luckey D24/195
D364,685 S * 11/1995 Christensen D24/195
5,873,363 A 2/1999 Esmailzadeh
D415,568 S * 10/1999 Bernd D24/195
D423,105 S * 4/2000 Oberlin D24/189
6,089,232 A 7/2000 Portnoy
D470,943 S * 2/2003 Adams D24/195
D521,646 S * 5/2006 Mann D24/195
D791,331 S * 7/2017 Freshwater D24/189
D841,172 S * 2/2019 Bannwart D24/189



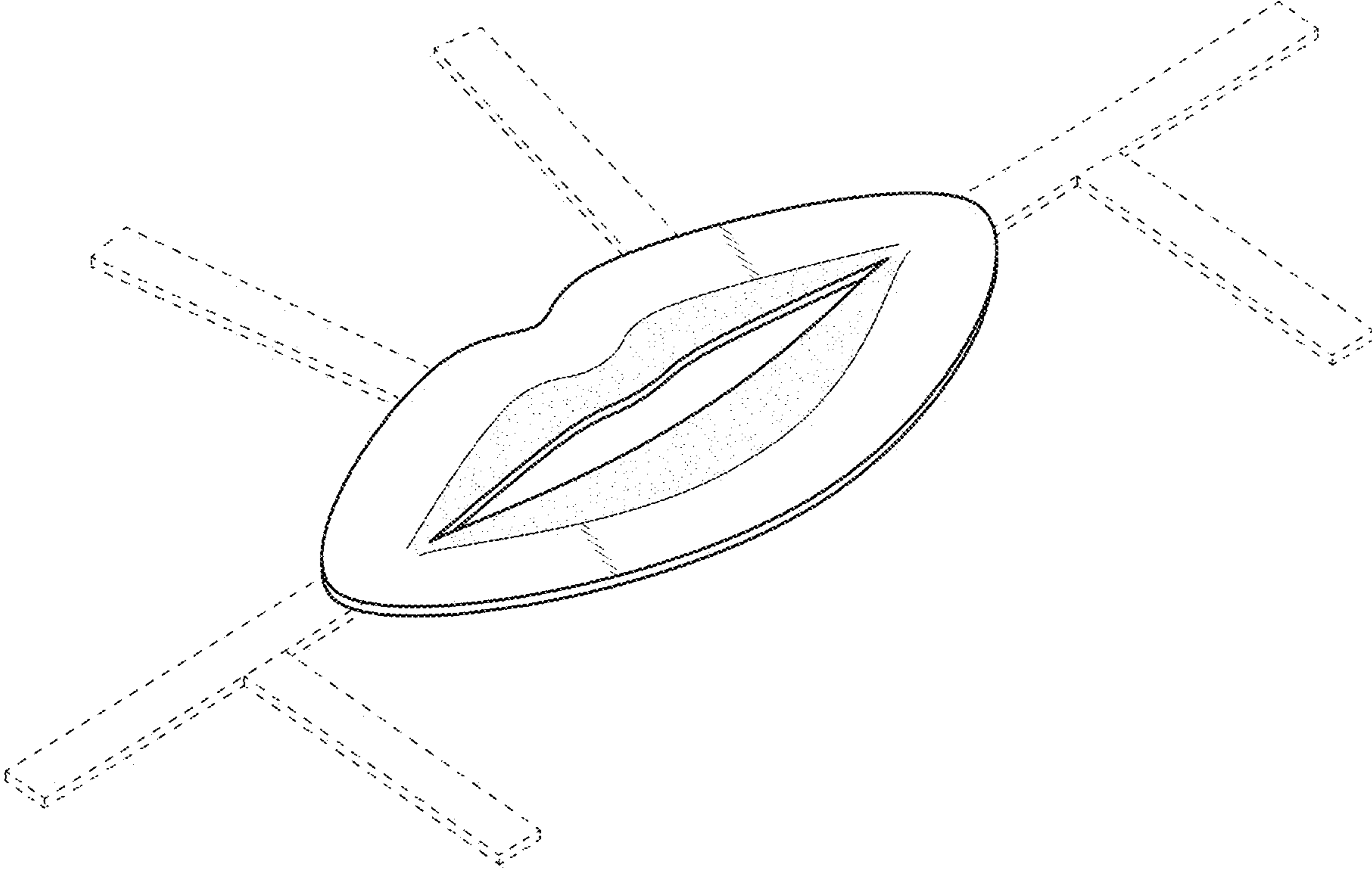


Fig. 1

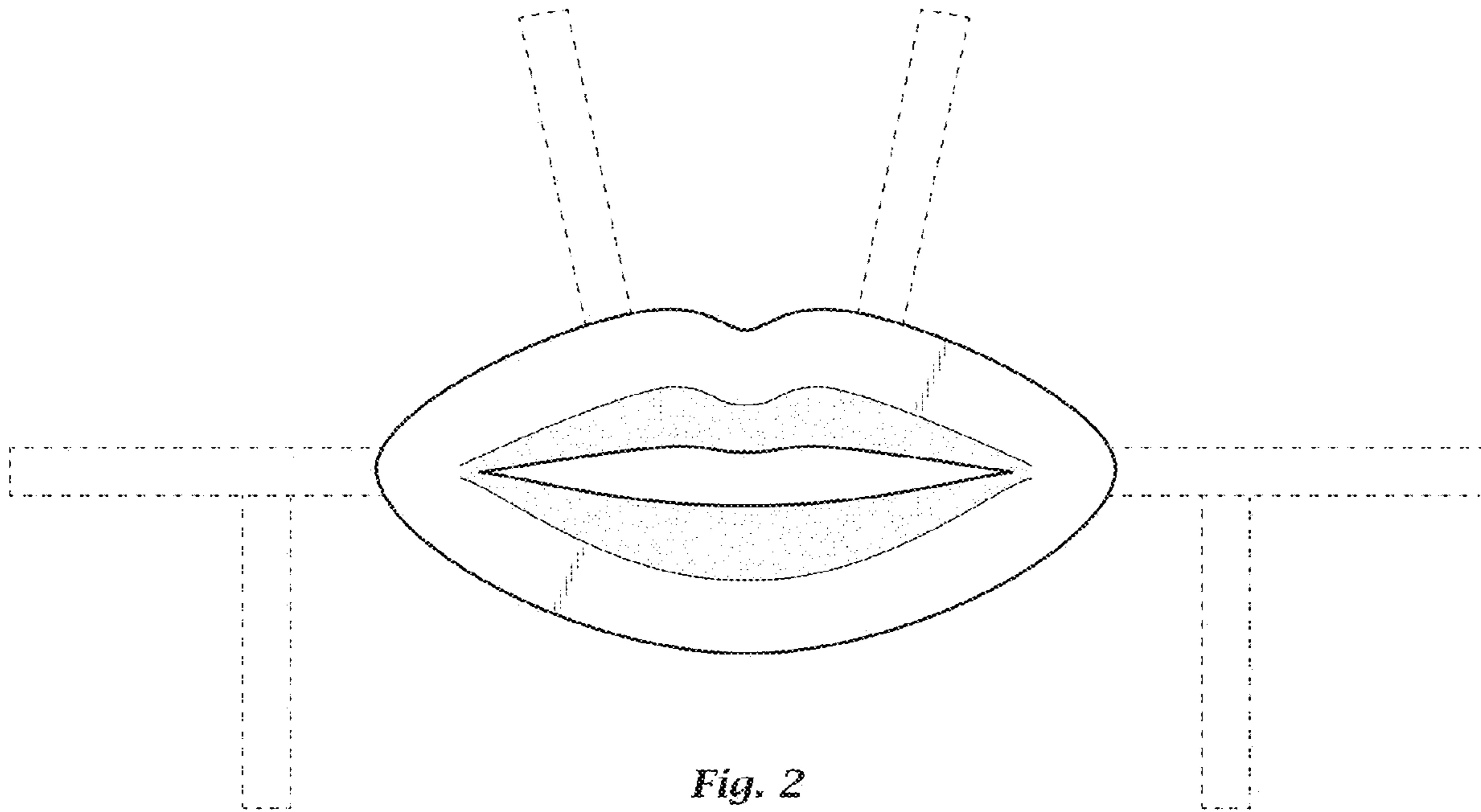


Fig. 2

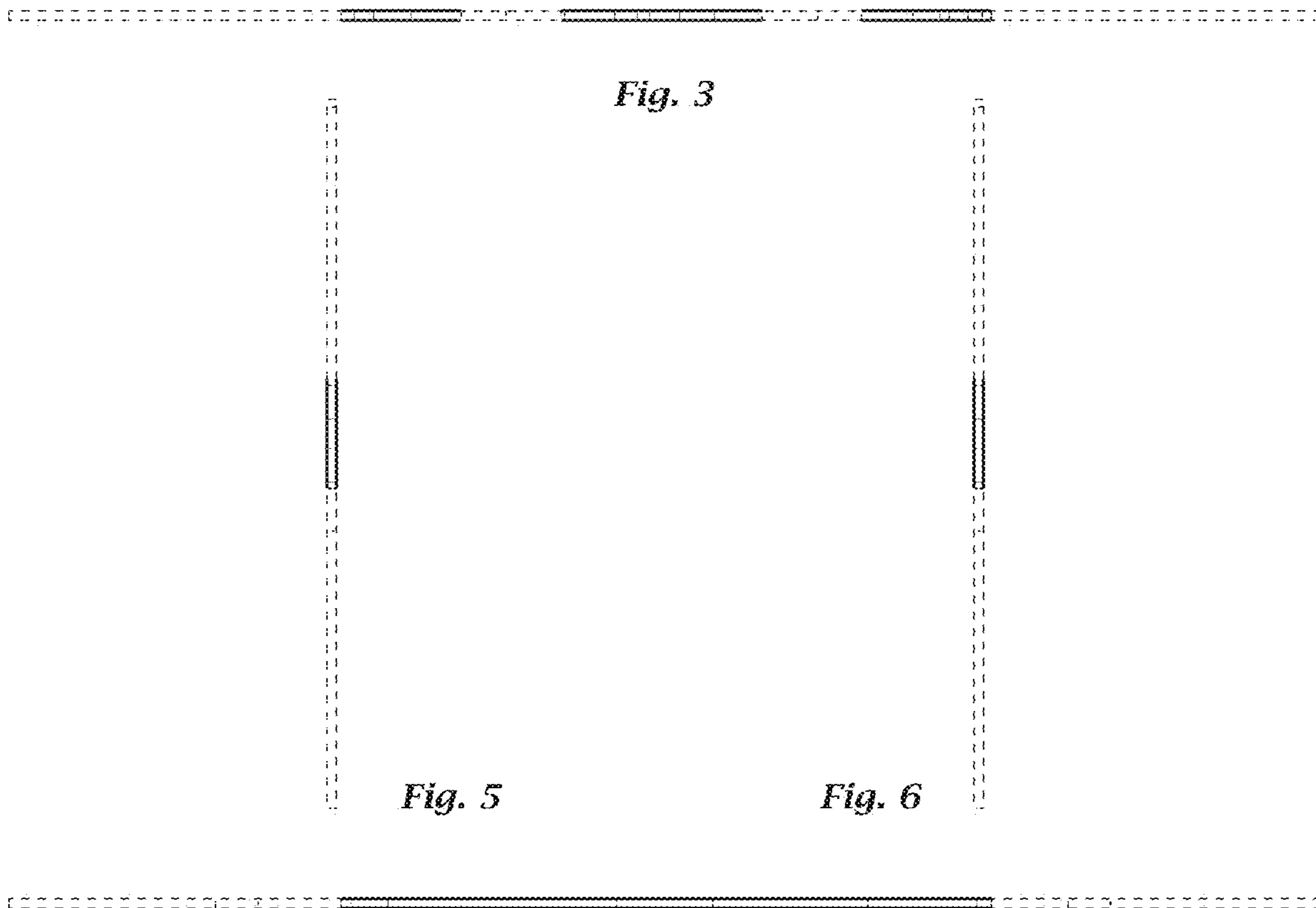


Fig. 4

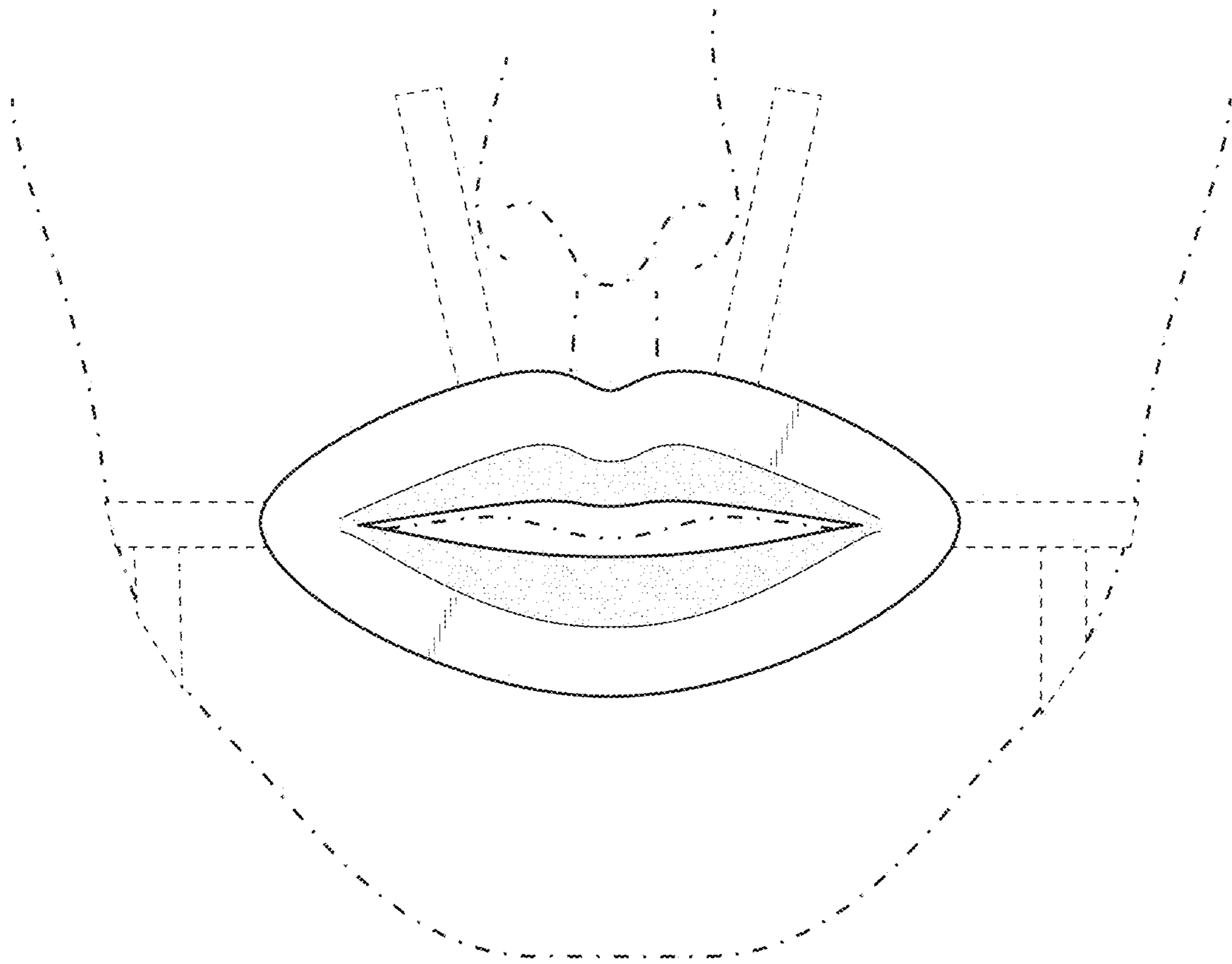


Fig. 7