



US00D875951S

(12) **United States Design Patent**  
**Kent et al.**

(10) **Patent No.:** **US D875,951 S**

(45) **Date of Patent:** **\*\* Feb. 18, 2020**

(54) **MAGNETOMETER**

(71) Applicant: **CREAVO MEDICAL TECHNOLOGIES LIMITED**, Leeds (GB)

(72) Inventors: **Richard Kent**, Oxfordshire (GB); **Oliver Bishop**, Hampshire (GB); **Nick Smart**, West Sussex (GB); **Alkis Karaolis**, Sutton (GB); **Andy Matthews**, Hampshire (GB); **Andy Spragg**, West Sussex (GB)

(73) Assignee: **CREAVO MEDICAL TECHNOLOGIES LIMITED**, Leeds (GB)

(\*\*) Term: **15 Years**

(21) Appl. No.: **29/661,146**

(22) Filed: **Aug. 24, 2018**

(51) **LOC (12) Cl.** ..... **10-04**

(52) **U.S. Cl.**  
USPC ..... **D24/185**

(58) **Field of Classification Search**  
USPC ..... D24/167, 185, 186  
CPC ... A61B 5/04; A61B 5/04005; A61B 5/04007; A61B 5/04008; A61B 5/0432; A61B 5/0436; A61B 5/044; G01R 33/34  
See application file for complete search history.

(56) **References Cited**

**U.S. PATENT DOCUMENTS**

D352,106 S \* 11/1994 Fanney ..... D24/108  
D699,852 S 2/2014 Chung  
D702,842 S 4/2014 Hyde  
D724,738 S 3/2015 Dorris  
D735,868 S \* 8/2015 Mareguddi ..... D24/185

D743,558 S 11/2015 Kim  
D769,446 S 10/2016 Liu  
D790,065 S 6/2017 O'Connor  
D804,673 S \* 12/2017 Shin ..... D24/186  
D816,232 S \* 4/2018 Asad ..... D24/186  
D836,781 S \* 12/2018 Meurer ..... D24/185  
D843,585 S \* 3/2019 Wu ..... D24/186  
D852,365 S \* 6/2019 Andre ..... D24/185  
2007/0133753 A1 6/2007 Jakob  
2007/0270694 A1 11/2007 Pelissier  
2012/0148031 A1 6/2012 Eaves

**FOREIGN PATENT DOCUMENTS**

WO WO2014006387 1/2014

\* cited by examiner

*Primary Examiner* — Antoine Duval Davis

(74) *Attorney, Agent, or Firm* — Vierra Magen Marcus LLP

(57) **CLAIM**

The ornamental design for a magnetometer, as shown and described.

**DESCRIPTION**

FIG. 1 is a front view of the new design;  
FIG. 2 is a back view thereof;  
FIG. 3 is a left side view thereof;  
FIG. 4 is a right side view thereof;  
FIG. 5 is a top view thereof;  
FIG. 6 is a bottom view thereof;  
FIG. 7 is a first perspective view from the top thereof;  
FIG. 8 is a first perspective view from the bottom thereof;  
FIG. 9 is a second perspective view from the top thereof;  
and,  
FIG. 10 is a second perspective view from the bottom thereof.

**1 Claim, 10 Drawing Sheets**

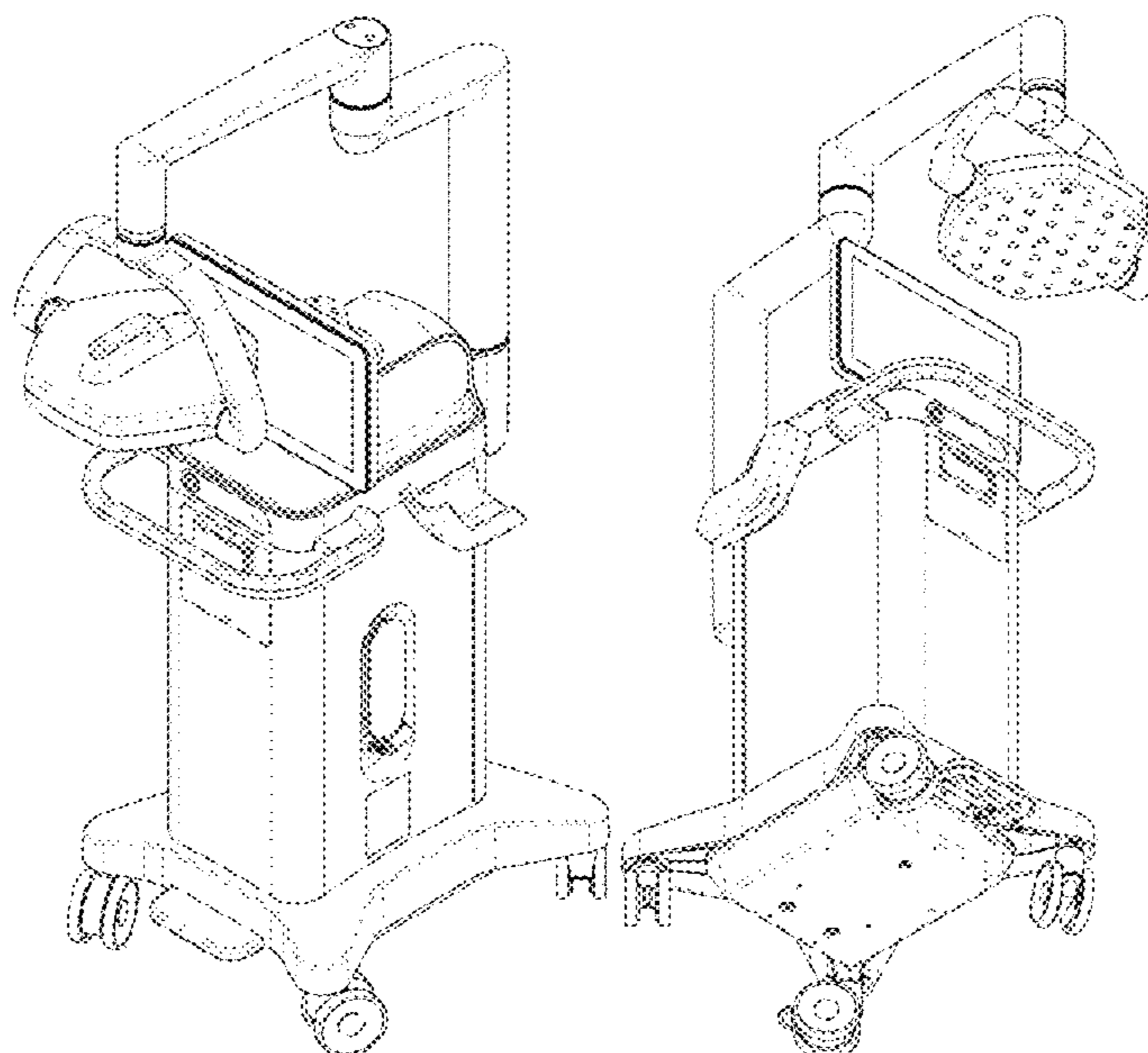


Figure 1

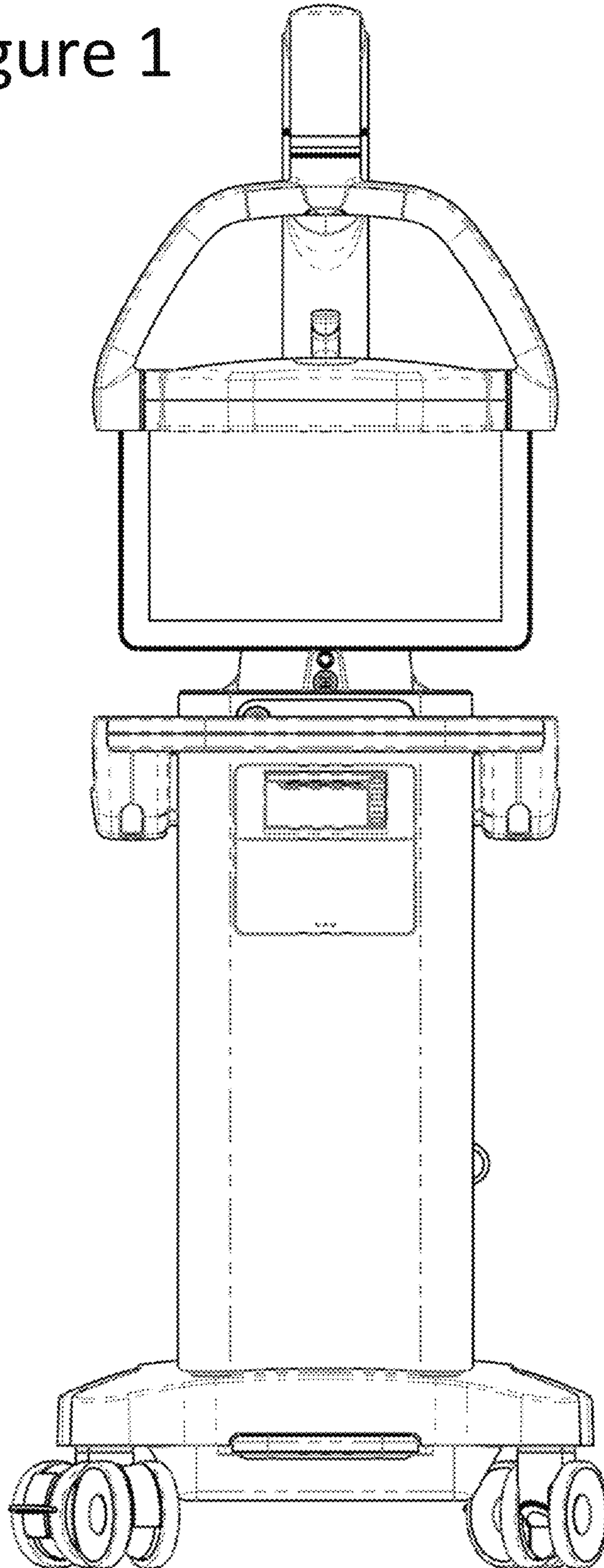


Figure 2

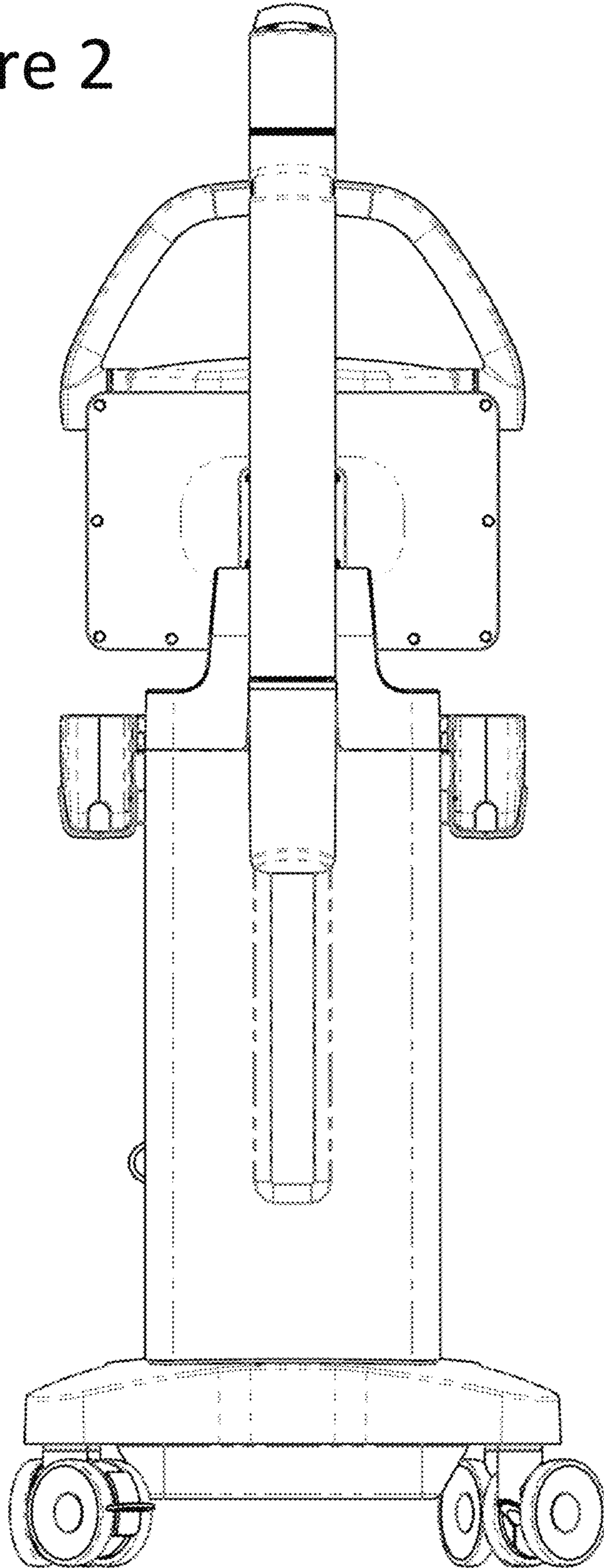


Figure 3

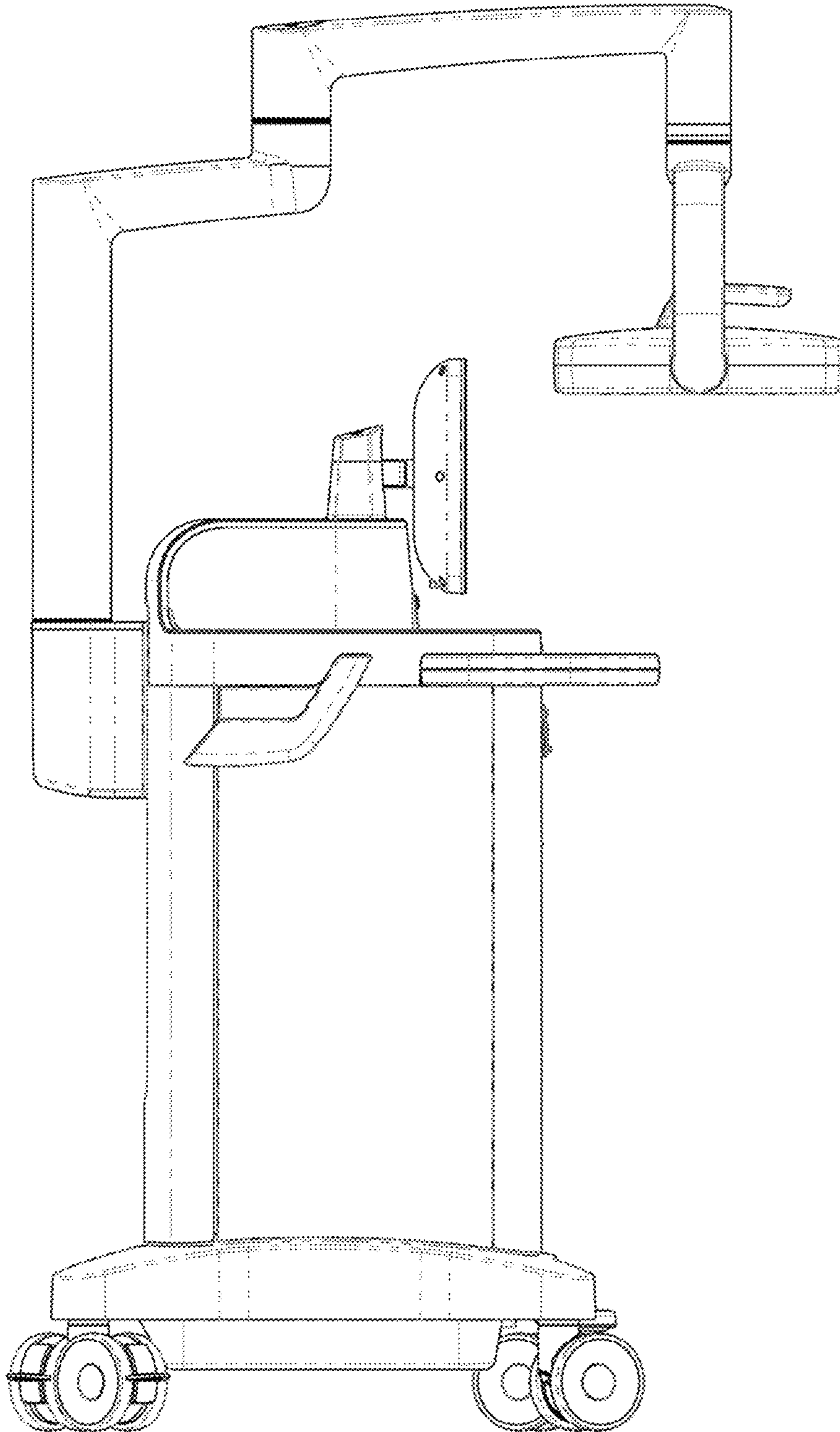


Figure 4

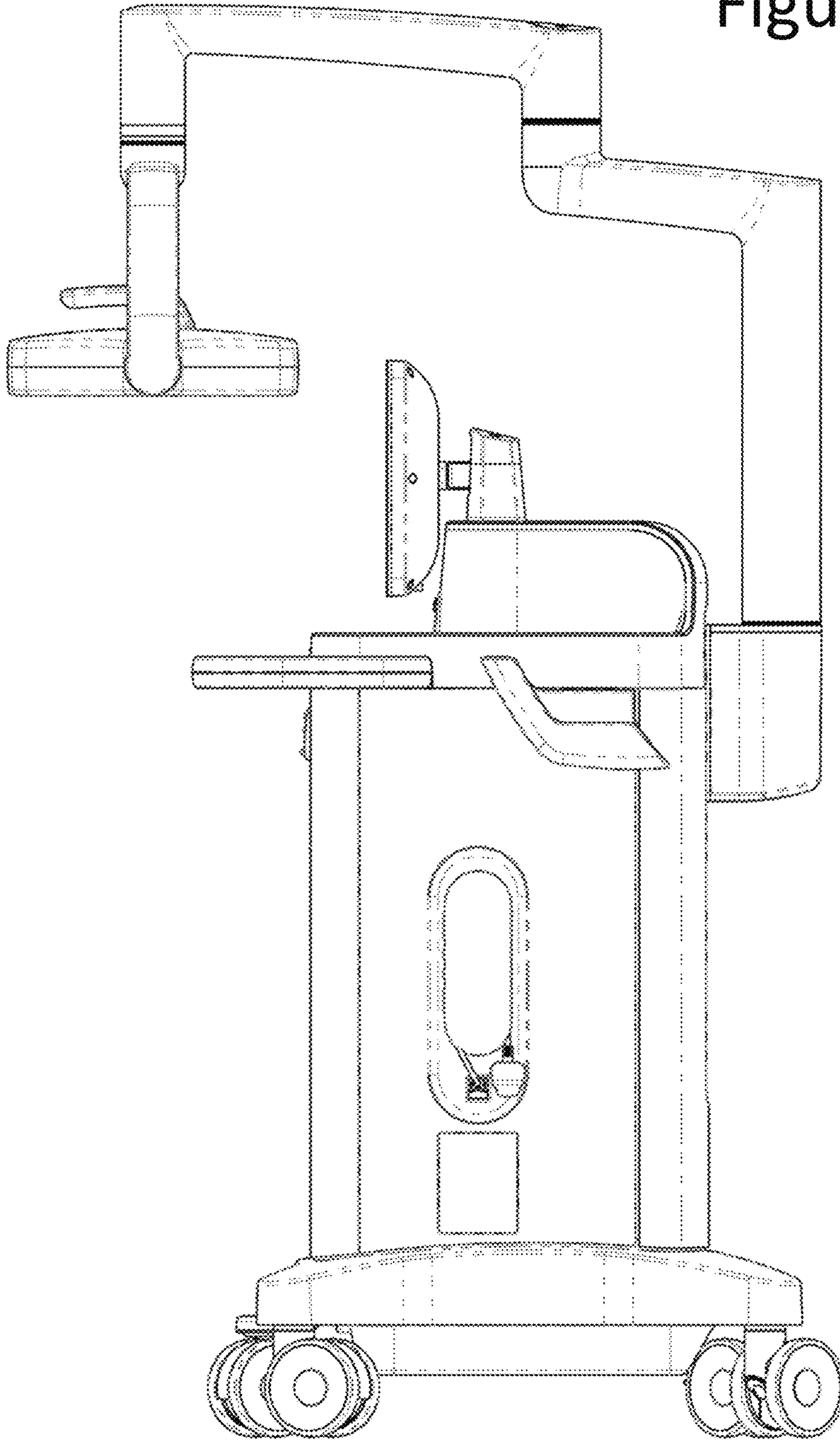


Figure 5

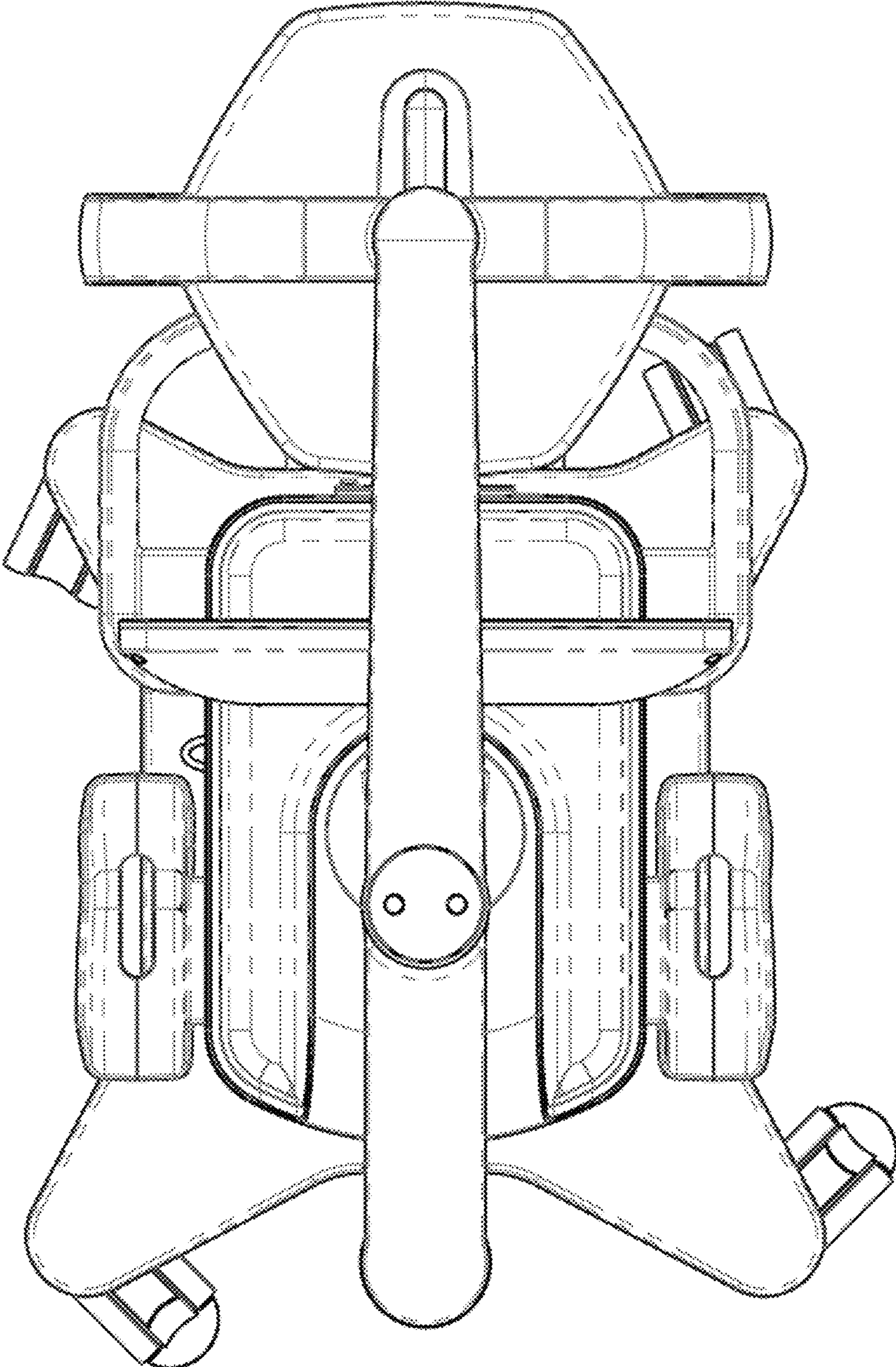


Figure 6

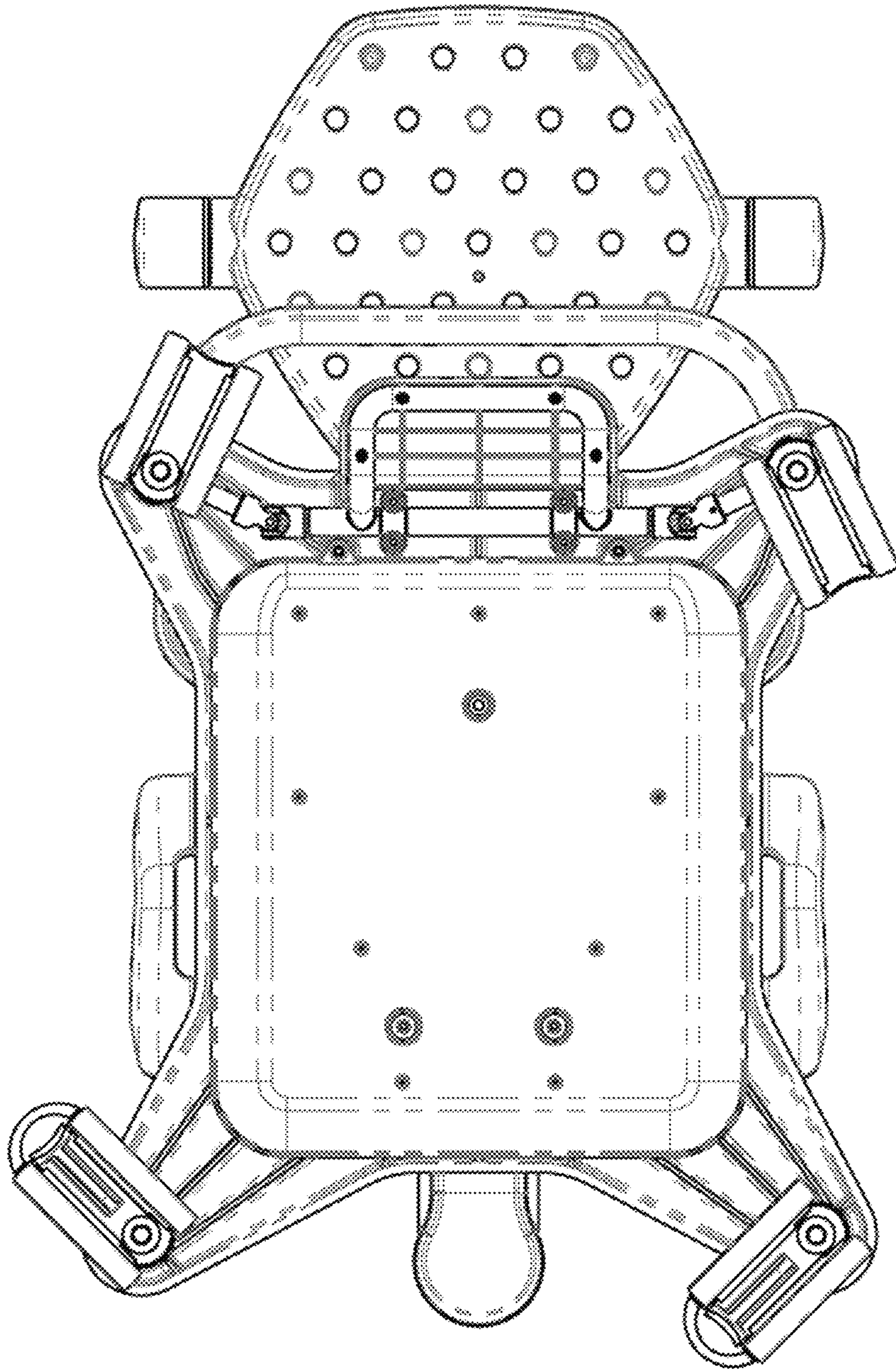


Figure 7

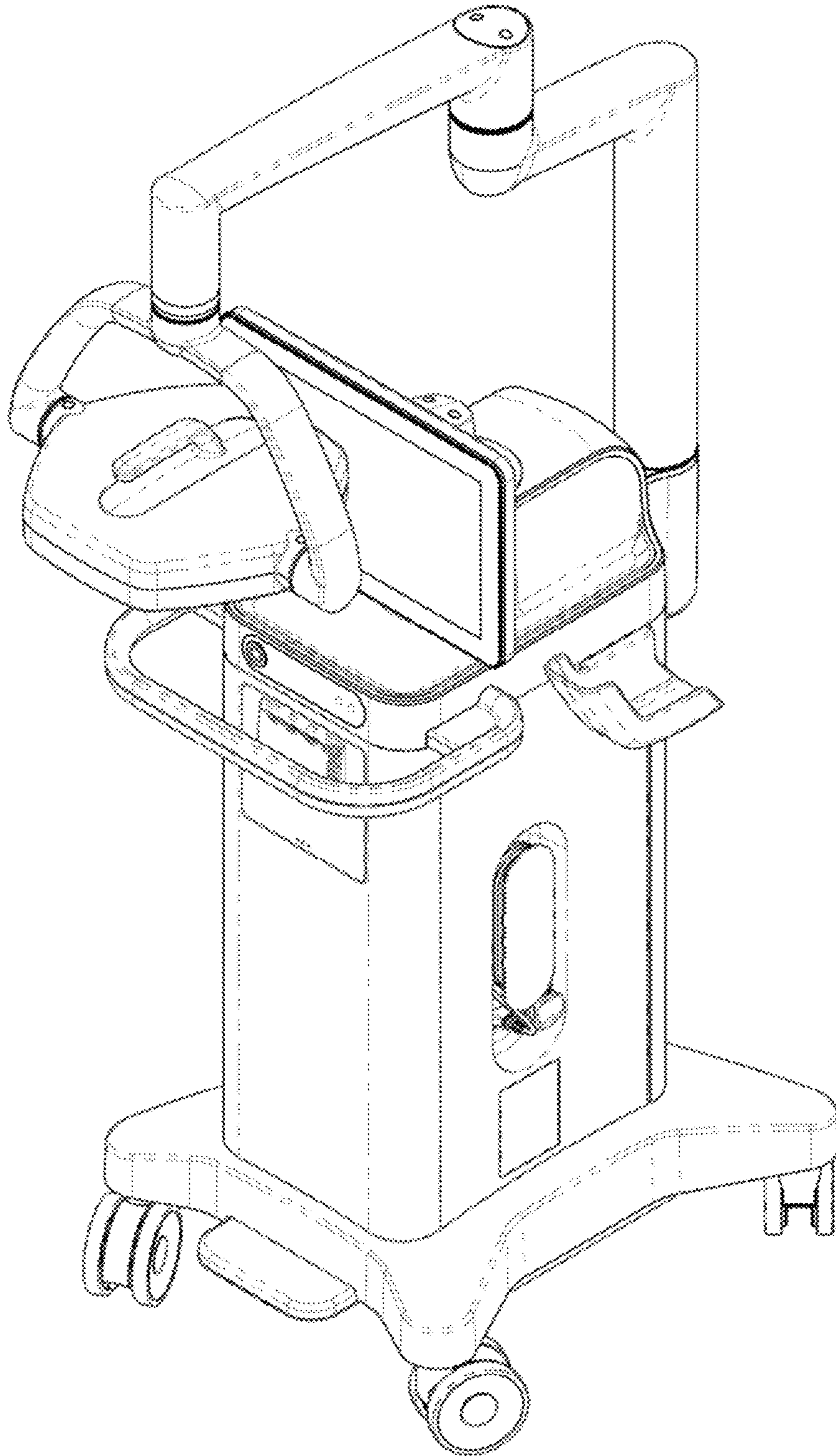




Figure 8

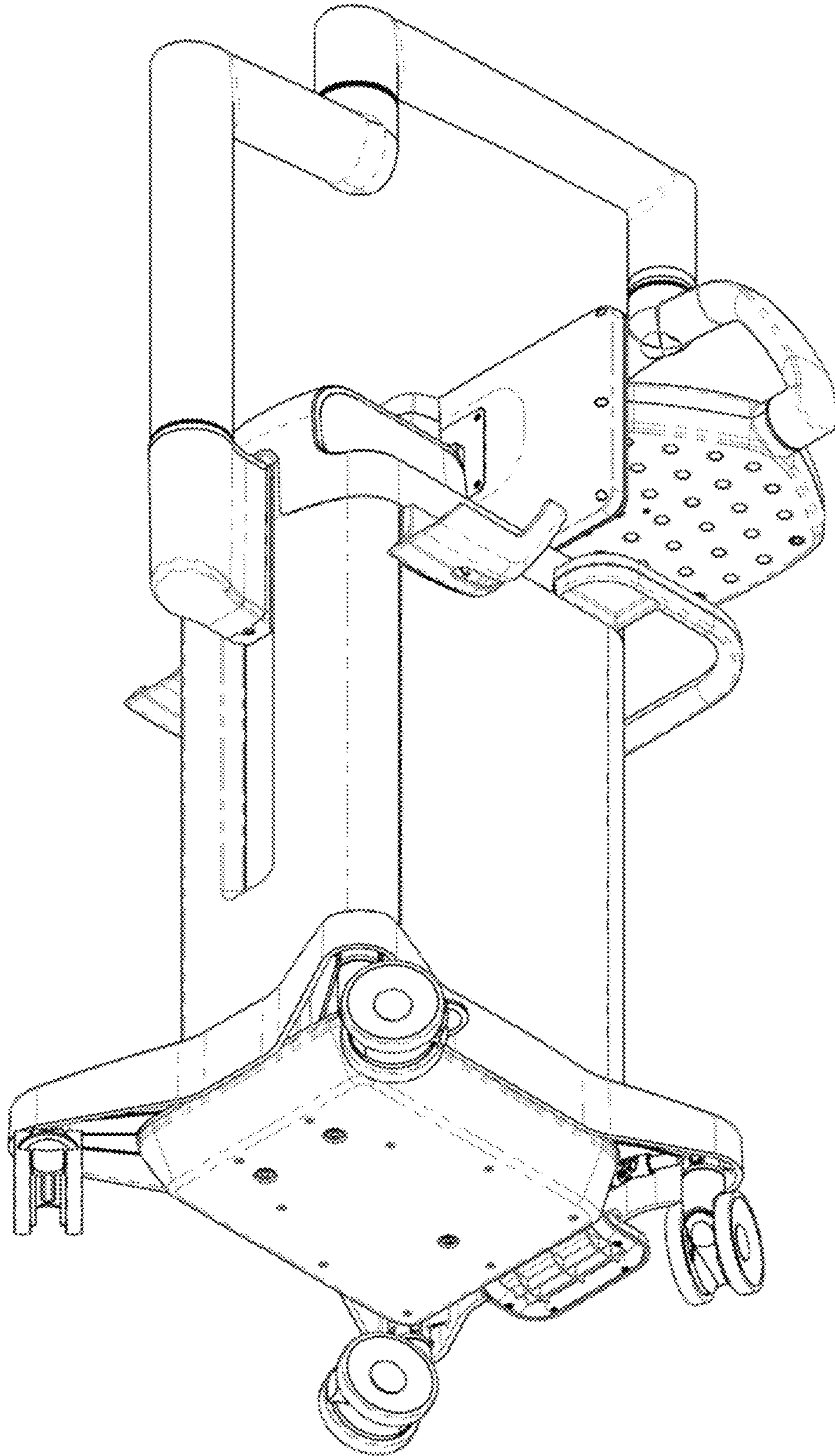


Figure 9

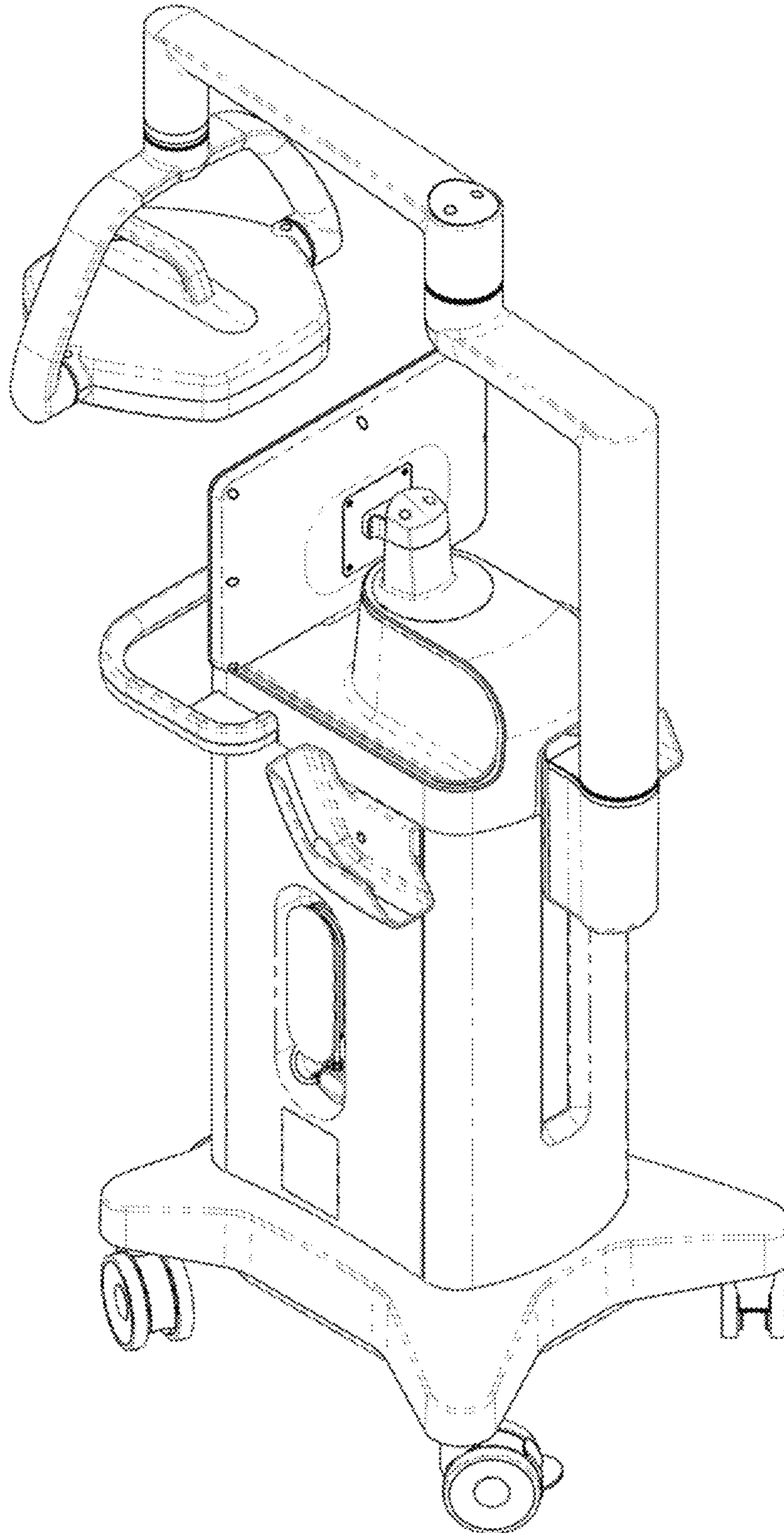


Figure 10

