



US00D875950S

(12) **United States Design Patent** (10) **Patent No.:** **US D875,950 S**  
**Naber et al.** (45) **Date of Patent:** **\*\* Feb. 18, 2020**

(54) **COT FASTENER**

CPC ..... B01F 13/0025; B01J 2219/00292; B01J 2220/64; B01L 3/14; B01L 3/508-50825; B01L 3/52-523

(71) Applicant: **Stryker Corporation**, Kalamazoo, MI (US)

See application file for complete search history.

(72) Inventors: **Brandon David Naber**, Portage, MI (US); **Kurosh Nahavandi**, Portage, MI (US); **Nathan Wray Matheny**, Portage, MI (US); **Michael T. Brubaker**, Portage, MI (US); **Charles Louis Crouch**, Plainwell, MI (US); **Jason James Wroblewski**, Kalamazoo, MI (US); **Clifford Edwin Lambarth**, Portage, MI (US)

(56) **References Cited**

U.S. PATENT DOCUMENTS

2,558,056 A 5/1949 Mitchell  
3,918,554 A 11/1975 Bourgraf et al.  
(Continued)

FOREIGN PATENT DOCUMENTS

GB 2297730 A 8/1996  
WO 2014123692 A1 8/2014  
WO 2014124471 A1 8/2014

OTHER PUBLICATIONS

Stryker Corporation Power-Load TM Power-Loading Cot Fastener System Brochure, dated 2011.

*Primary Examiner* — Vy N Koenig

(74) *Attorney, Agent, or Firm* — Warner Norcross + Judd LLP

(73) Assignee: **Stryker Corporation**, Kalamazoo, MI (US)

(\*\*) Term: **15 Years**

(21) Appl. No.: **29/668,739**

(22) Filed: **Nov. 1, 2018**

**Related U.S. Application Data**

(63) Continuation of application No. 29/613,059, filed on Aug. 7, 2017, now Pat. No. Des. 833,623, which is a continuation of application No. 29/536,593, filed on Aug. 18, 2015, now Pat. No. Des. 794,205, application No. 29/668,739, which is a continuation of application No. 16/025,526, filed on Jul. 2, 2018, which is a continuation of application No. 15/290,004, filed on Oct. 11, 2016, now Pat. No. 10,058,464.

(57) **CLAIM**

The ornamental design for a cot fastener, as shown and described.

(51) **LOC (12) Cl.** ..... **24-01**

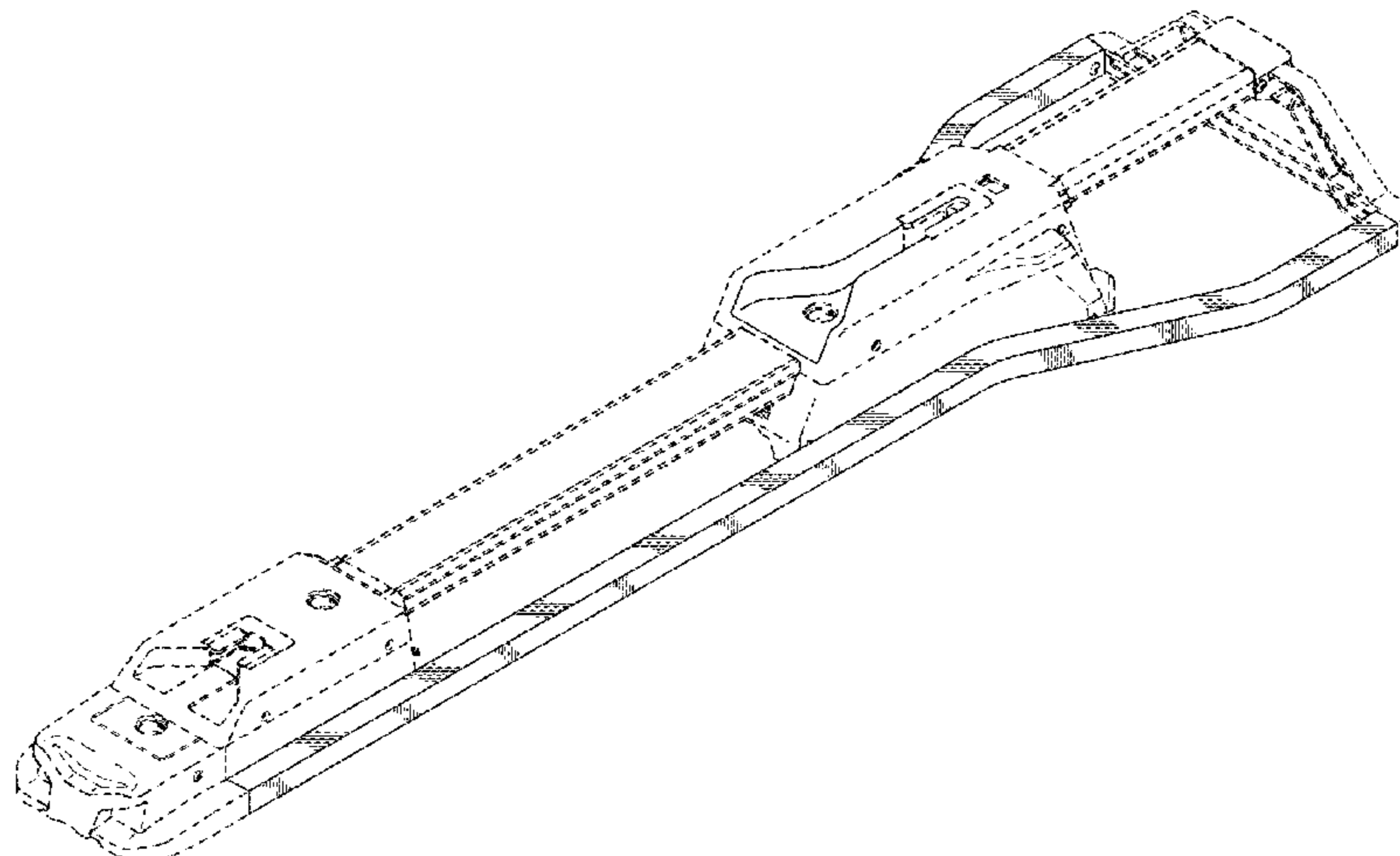
(52) **U.S. Cl.**  
USPC ..... **D24/184**

**DESCRIPTION**

(58) **Field of Classification Search**  
USPC ..... D24/107, 108, 113, 114, 121, 133, 183, D24/184, 186, 190-192, 216, 222, 224, D24/225, 226, 227, 228, 229, 230, 231, D24/233; D34/28, 33, 35; D6/382, 383

FIG. 1 is a perspective view of a cot fastener showing the new design;  
FIG. 2 is a front elevation view thereof;  
FIG. 3 is a left side elevation view thereof;  
FIG. 4 is a rear elevation view thereof;  
FIG. 5 is a right side elevation view thereof  
FIG. 6 is a top plan view thereof; and,  
FIG. 7 is a bottom plan view thereof.

(Continued)



The broken lines represent portions of the cot fastener that form no part of the claimed design.

**1 Claim, 4 Drawing Sheets**

(56)

**References Cited**

U.S. PATENT DOCUMENTS

5,092,722 A 3/1992 Reazer, III et al.  
5,205,601 A 4/1993 Ferris  
5,913,559 A 6/1999 Sexton et al.  
D507,959 S \* 8/2005 Mottini ..... D8/354  
7,287,794 B2 10/2007 Bourgraf, Jr. et al.  
7,478,855 B2 1/2009 Lambarth et al.  
7,549,690 B2 6/2009 Bourgraf et al.  
D644,087 S \* 8/2011 Gallaty ..... D8/354

D645,967 S 9/2011 Sharps  
8,056,950 B2 11/2011 Souke et al.  
8,382,181 B2 2/2013 Bourgraf et al.  
8,439,416 B2 5/2013 Lambarth et al.  
8,444,195 B2 5/2013 Bourgraf et al.  
RE44,884 E 5/2014 Lambarth  
D753,831 S 4/2016 Tao et al.  
9,364,376 B2 6/2016 Crawford et al.  
9,456,939 B2 10/2016 Lambarth et al.  
9,545,345 B1 1/2017 Akers, Jr.  
D780,929 S 3/2017 Nurminen  
D794,205 S \* 8/2017 Naber ..... D12/14  
D803,798 S \* 11/2017 Au ..... D13/180  
D813,140 S \* 3/2018 Stent ..... D12/223  
D817,161 S \* 5/2018 Hamann ..... D8/375  
D833,623 S \* 11/2018 Naber ..... D24/184  
D839,077 S \* 1/2019 Rassat ..... D8/349  
2017/0035628 A1 2/2017 Naber et al.

\* cited by examiner

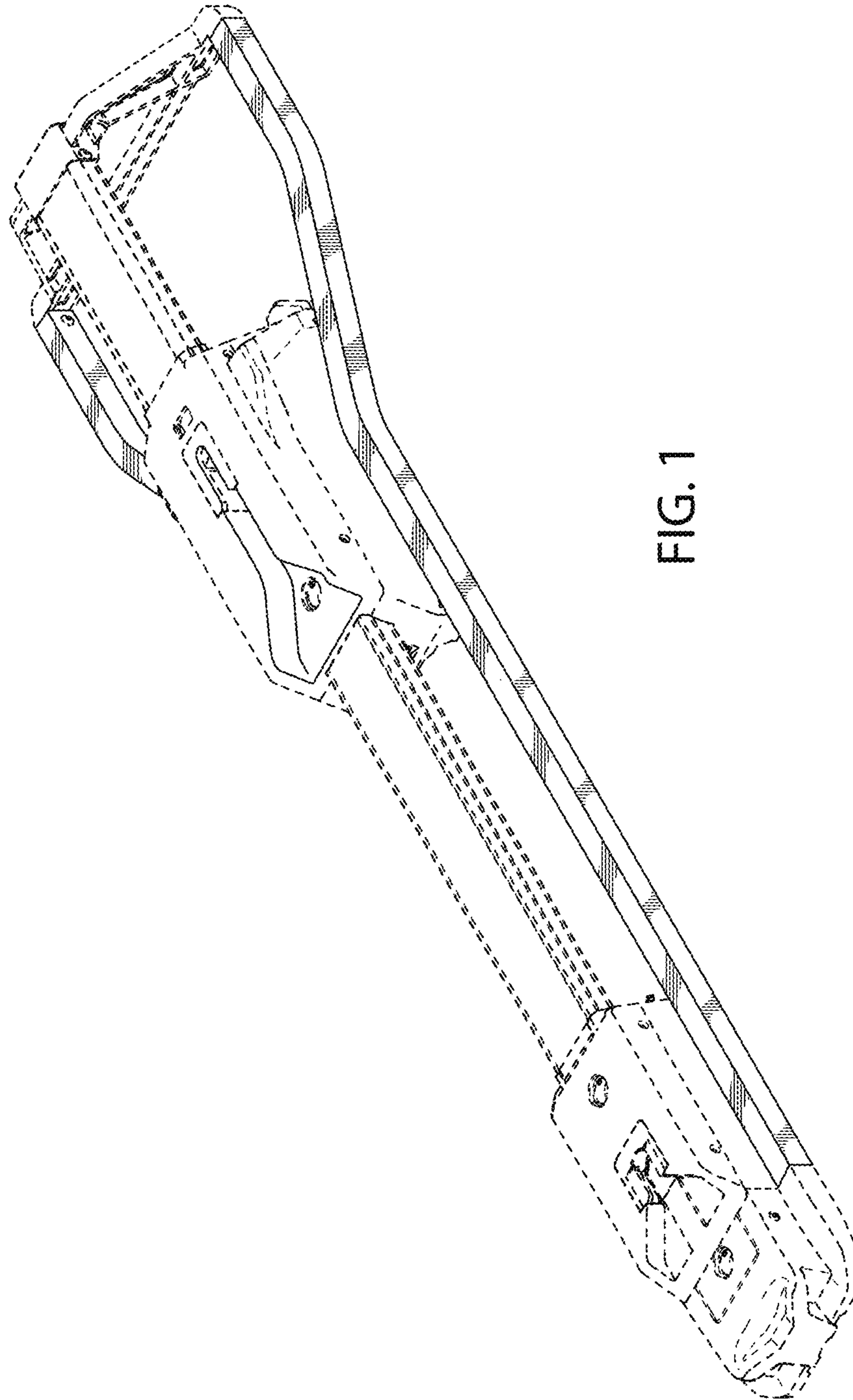


FIG. 1

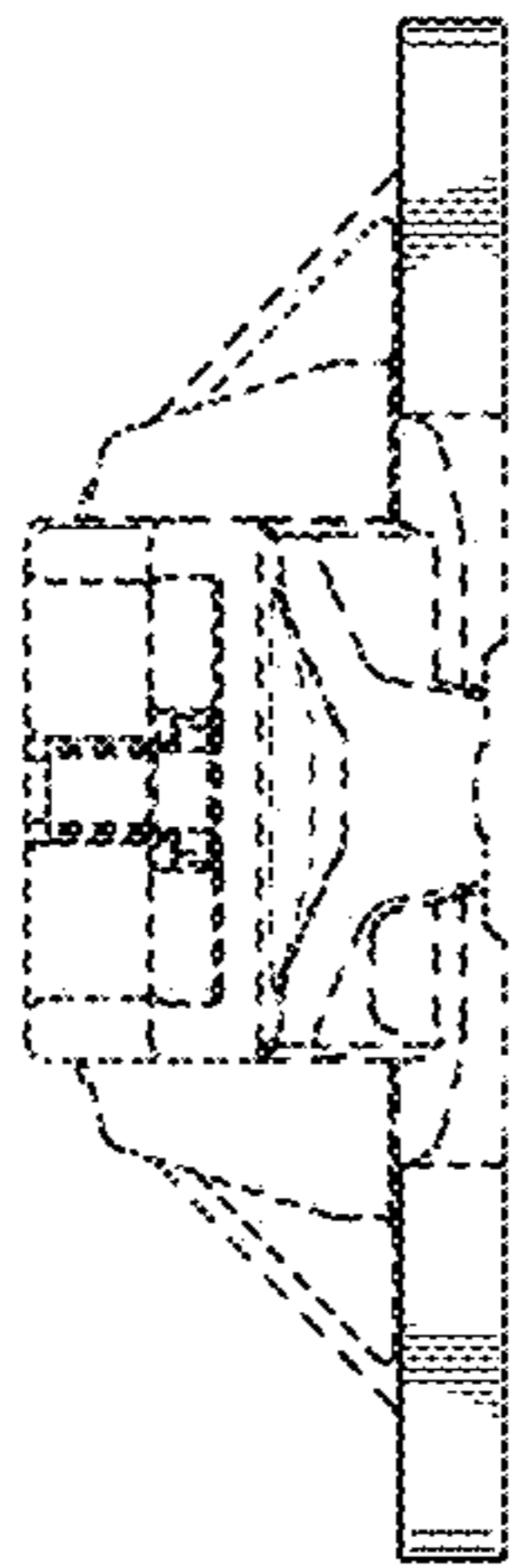


FIG. 2

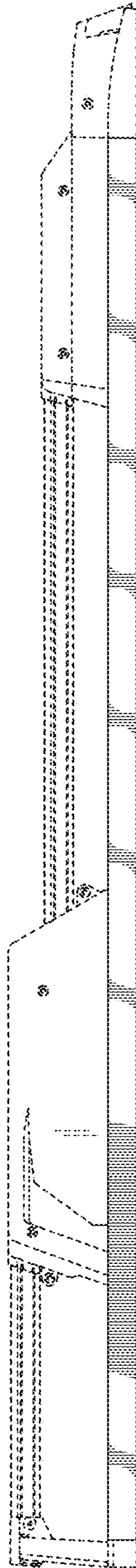


FIG. 3

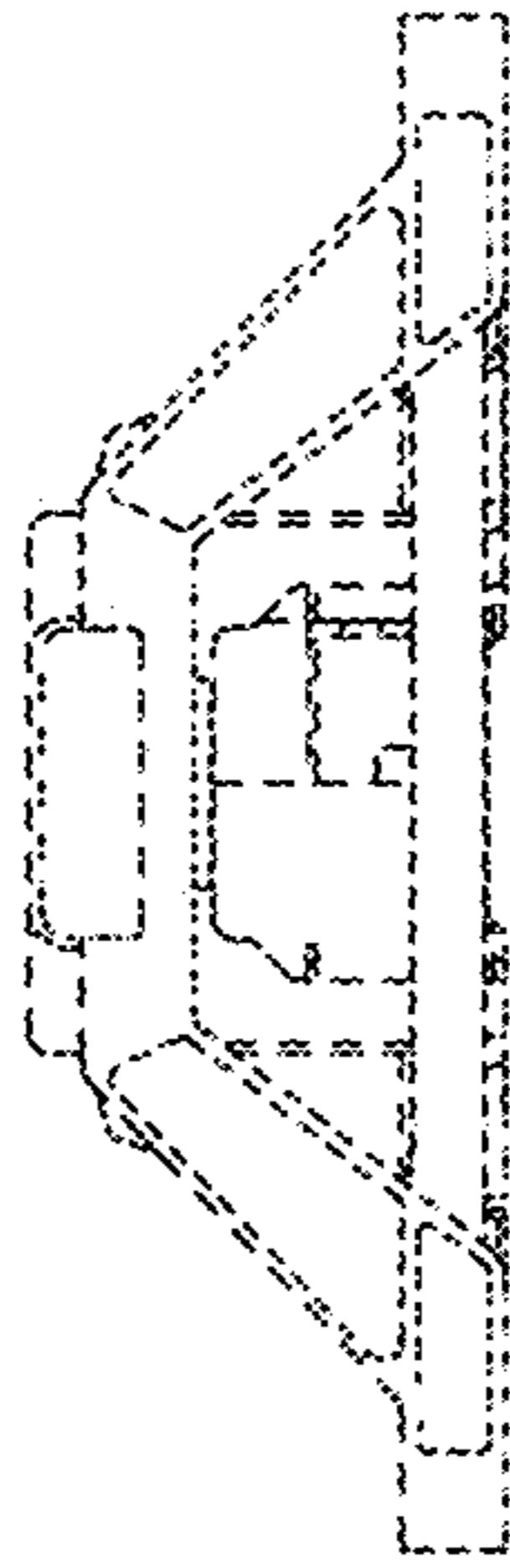


FIG. 4

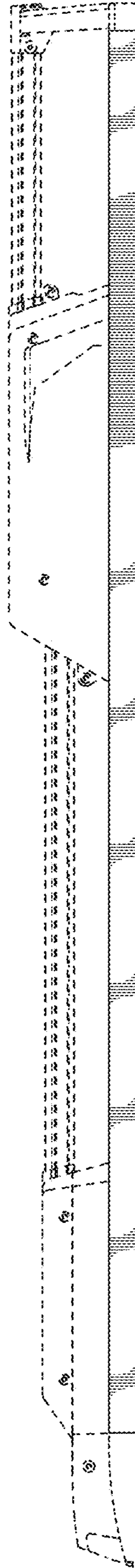


FIG. 5

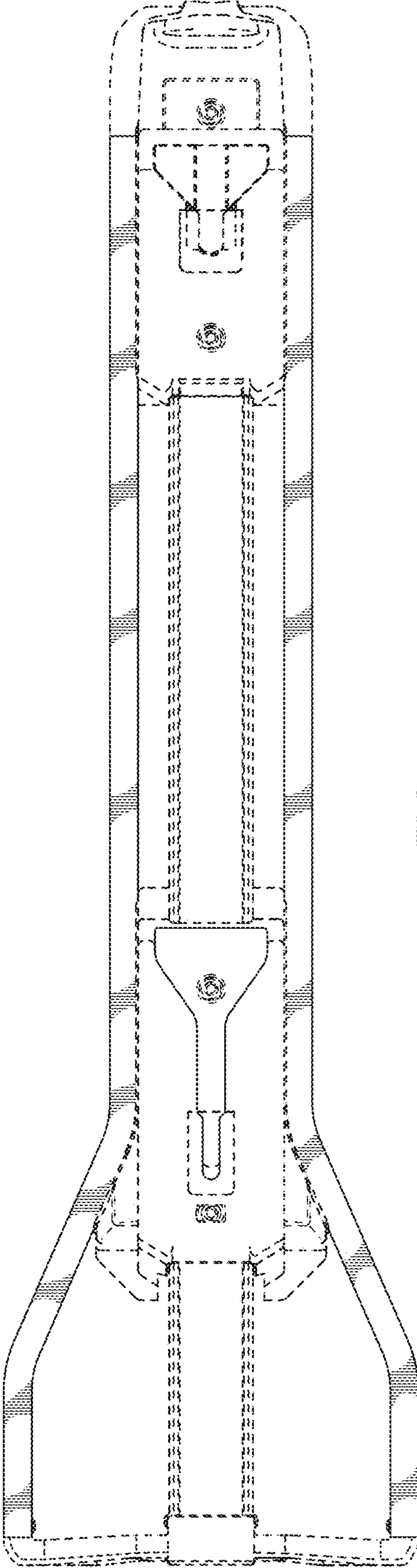


FIG. 6

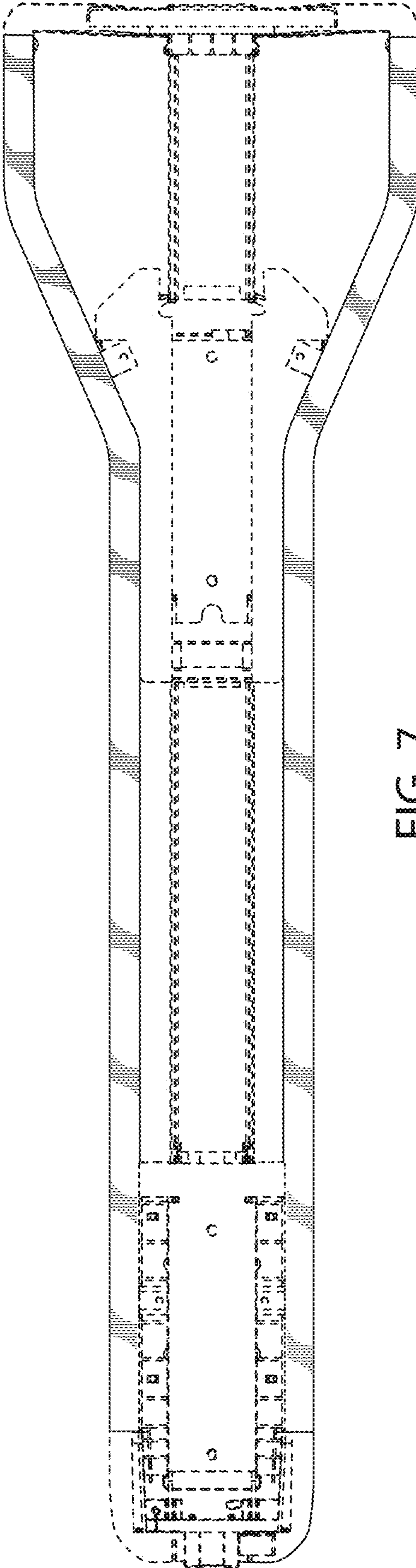


FIG. 7