



US00D875948S

(12) **United States Design Patent** (10) **Patent No.:** **US D875,948 S**  
**Pieroni et al.** (45) **Date of Patent:** **\*\* Feb. 18, 2020**

- (54) **SNAP OFF COMPUTE FOR DENTAL MATERIAL**
- (71) Applicant: **DENTSPLY SIRONA Inc.**, York, PA (US)
- (72) Inventors: **Robert Pieroni**, Georgetown, DE (US); **John Sheridan**, Frederica, DE (US)
- (73) Assignee: **DENTSPLY SIRONA INC.**, York, PA (US)
- (\*\*) Term: **15 Years**
- (21) Appl. No.: **29/625,590**
- (22) Filed: **Nov. 10, 2017**

D315,956 S	4/1991	Dragan	
5,100,320 A	3/1992	Martin	
D353,673 S	12/1994	Discko	
5,707,234 A	1/1998	Bender	
6,261,094 B1	7/2001	Dragan	
6,780,012 B1	8/2004	Peterson	
D496,999 S	10/2004	Dragan	
7,097,452 B2	8/2006	Friedman	
D683,453 S	5/2013	Dubey	
9,131,991 B2 *	9/2015	Walter	A61C 5/66
D800,316 S	10/2017	Evers	
10,172,690 B1 *	1/2019	Friedman	A61C 5/62
10,238,470 B2 *	3/2019	Burton	A61C 5/85
2005/0186531 A1	8/2005	Friedman	

\* cited by examiner

*Primary Examiner* — Wan Laymon  
 (74) *Attorney, Agent, or Firm* — Dentsply Sirona Inc.

**Related U.S. Application Data**

- (62) Division of application No. 29/564,137, filed on May 11, 2016, now Pat. No. Des. 833,610.
- (51) **LOC (12) Cl.** ..... **24-02**
- (52) **U.S. Cl.**  
USPC ..... **D24/176**
- (58) **Field of Classification Search**  
USPC ..... D24/176-177, 152, 112  
CPC .... A61C 5/66; A61C 5/62; A61C 5/64; A61C 5/60; A61C 9/0026  
See application file for complete search history.

**References Cited**

**U.S. PATENT DOCUMENTS**

- 4,391,590 A \* 7/1983 Dougherty ..... A61C 9/0026  
433/90
- D292,825 S 11/1987 Dragan

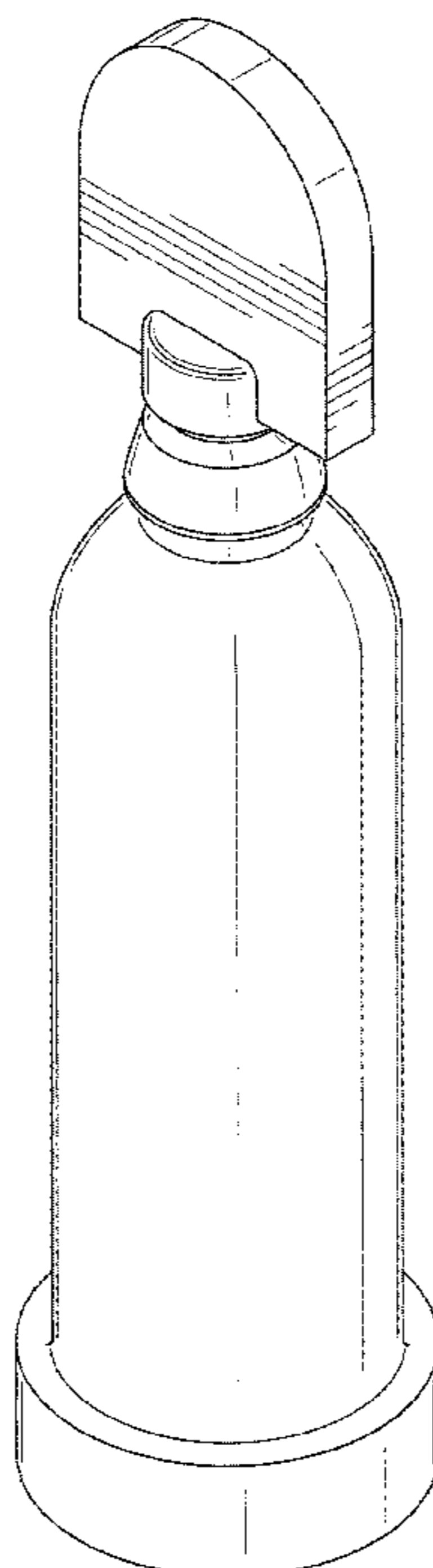
(57) **CLAIM**

The ornamental design for a snap off compute for a dental material, as shown and described.

**DESCRIPTION**

FIG. 1 is an isometric view of a snap off compute for dental material;  
 FIG. 2 is a front side view thereof;  
 FIG. 3 is a left side view thereof;  
 FIG. 4 is a top view thereof;  
 FIG. 5 is a bottom view thereof; and,  
 FIG. 6 is a cross sectional side view of the snap off compute with the cap in place, taken along line 6-6 of FIG. 2.  
 The broken line shown in the drawing disclosure is included for the purpose of illustrating portions of the snap off compute for dental material and forms no part of the claimed design.

**1 Claim, 5 Drawing Sheets**



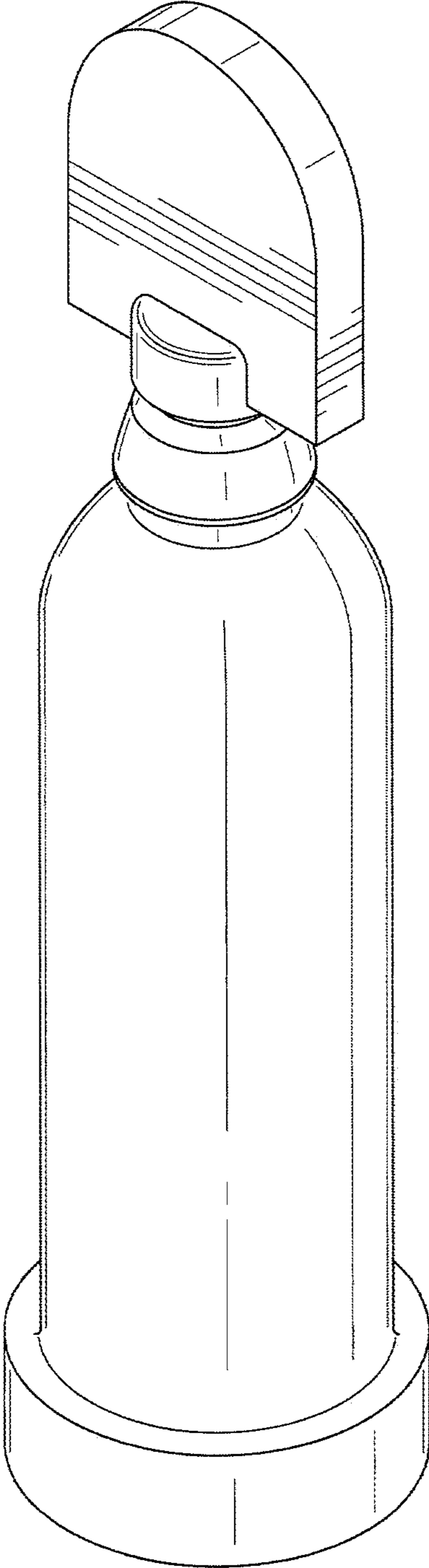


FIG. 1

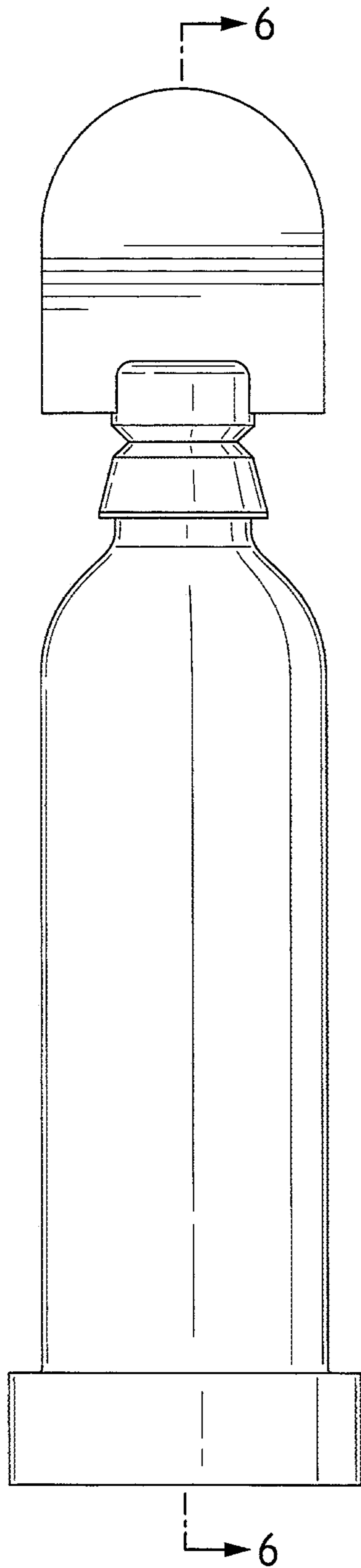


FIG. 2

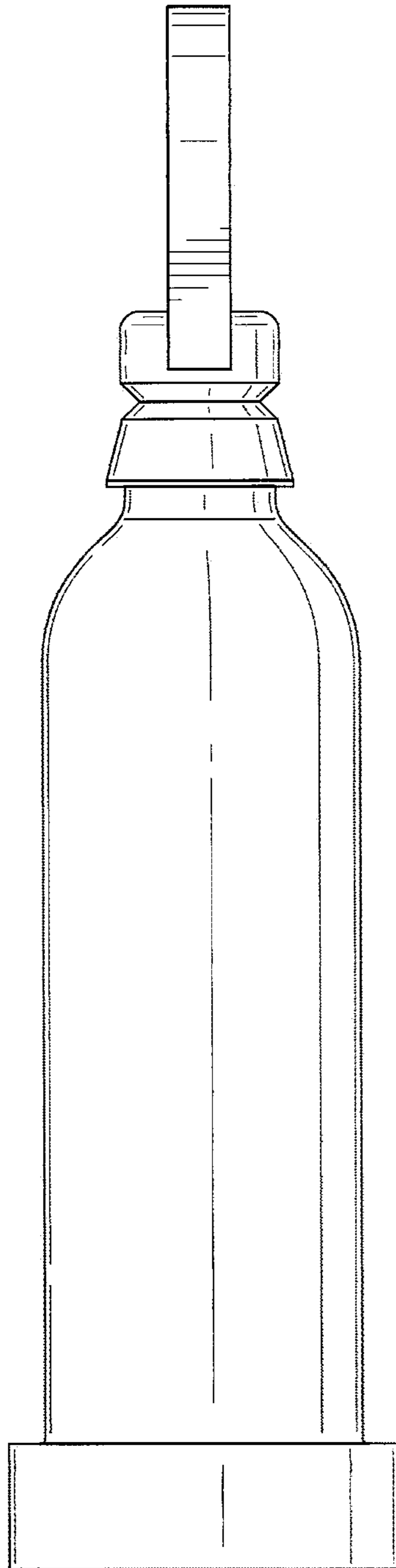


FIG. 3

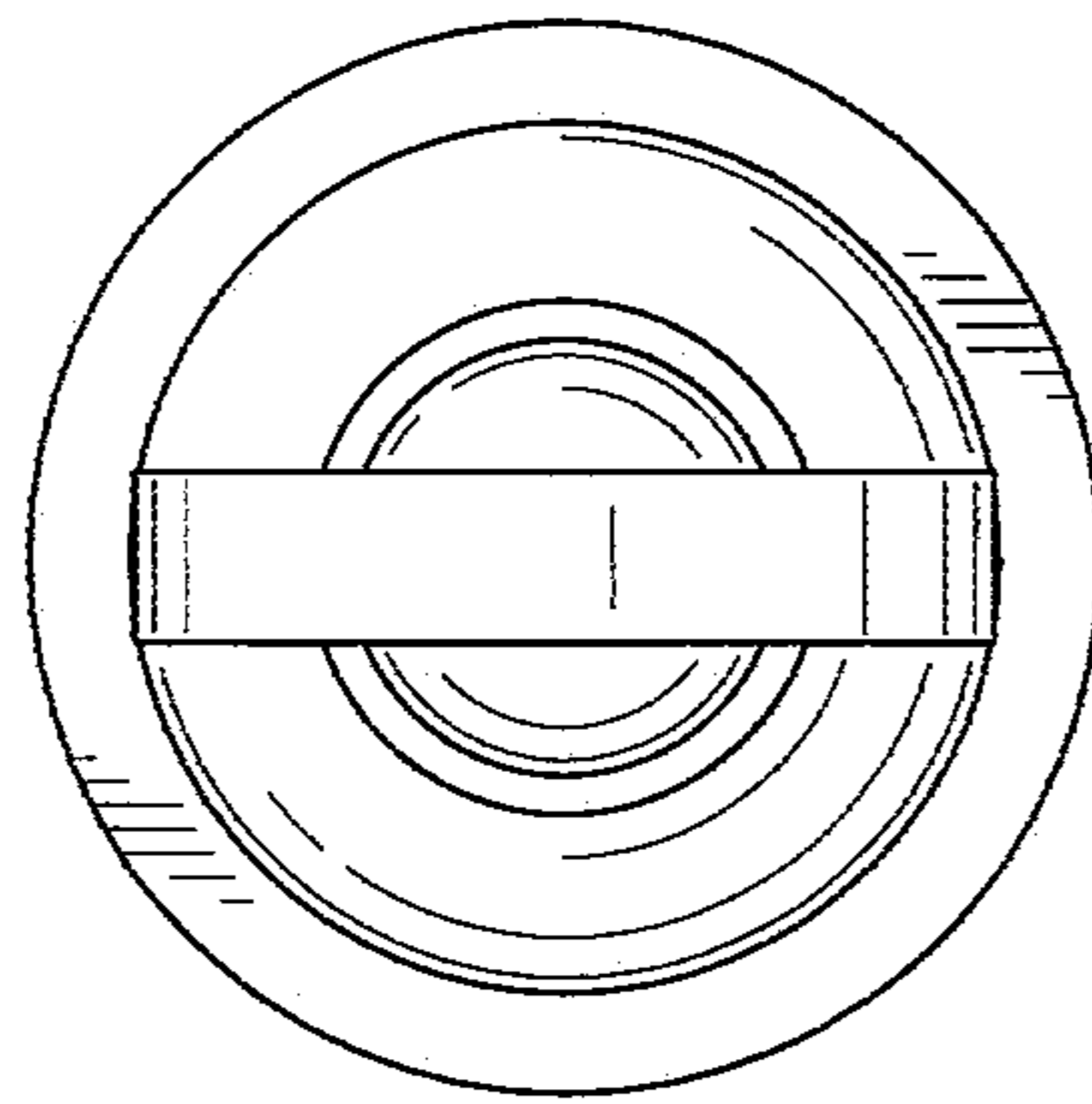


FIG. 4

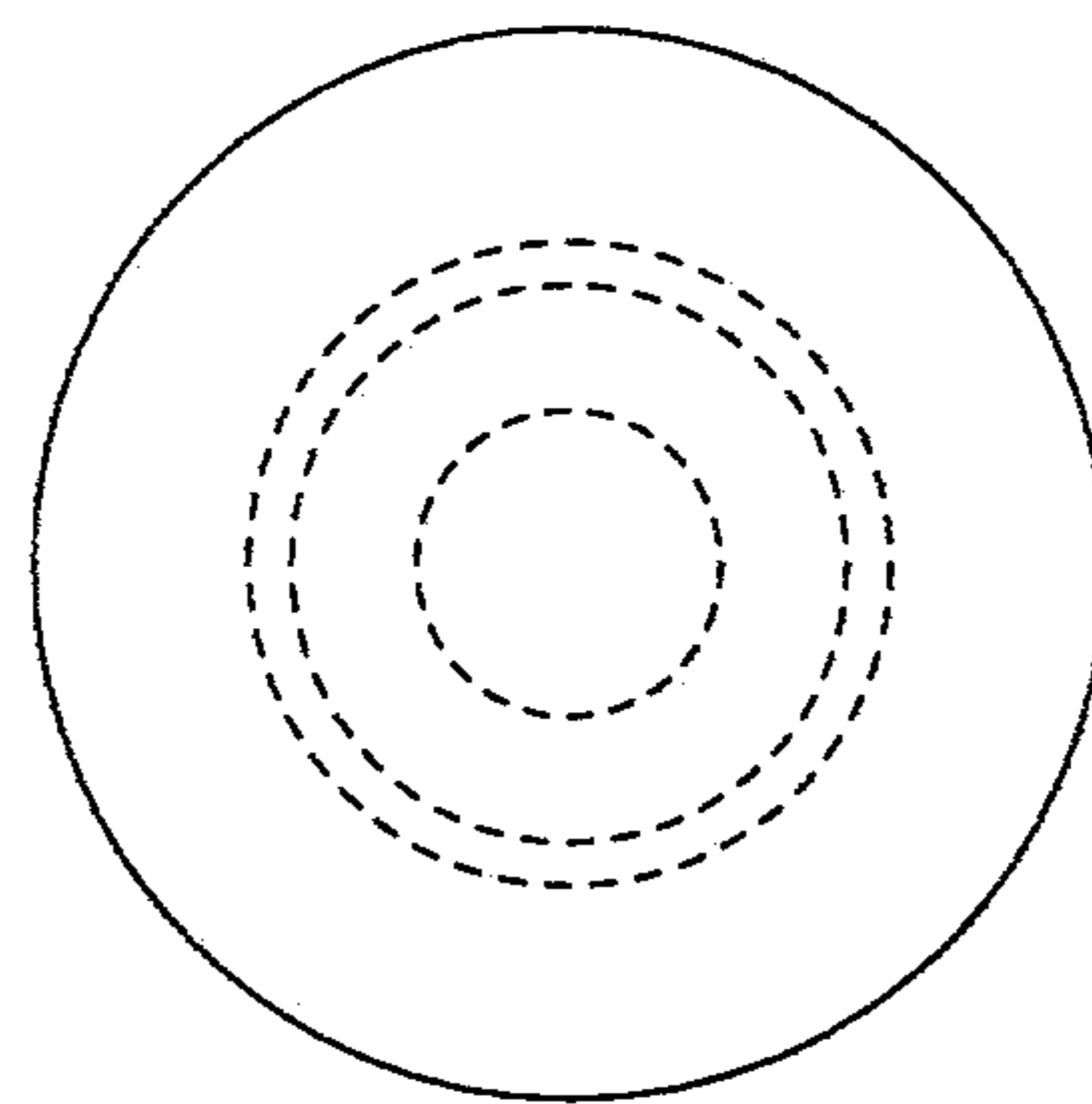


FIG. 5

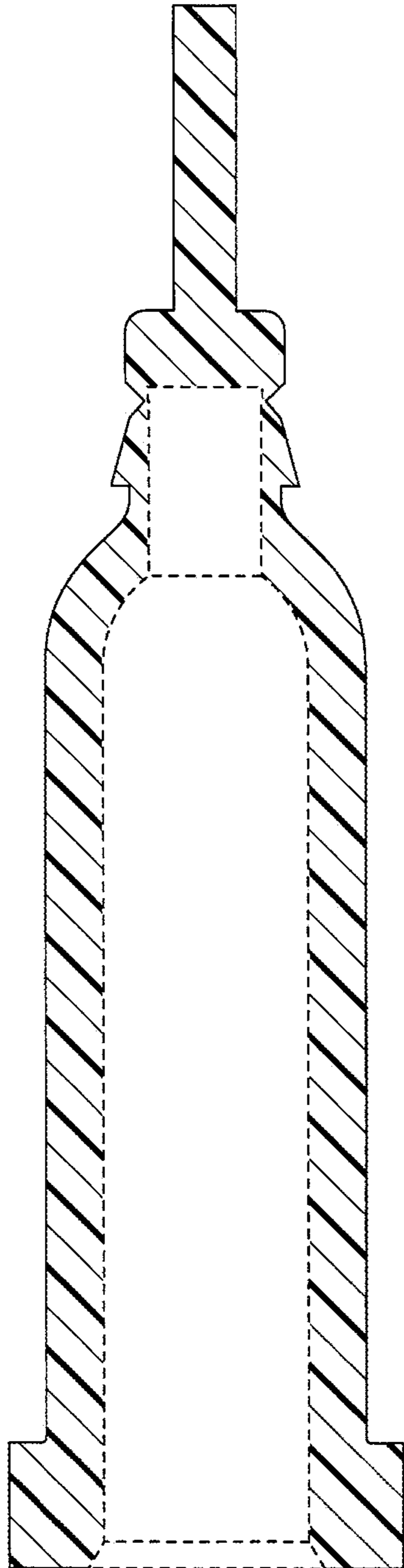


FIG. 6