



US00D875946S

(12) **United States Design Patent** (10) **Patent No.:** **US D875,946 S**
Abelson et al. (45) **Date of Patent:** **** Feb. 18, 2020**

(54) **APPARATUS FOR CAPTURING AN IMAGE OF THE EYE**

(71) Applicant: **Ora, Inc.**, Andover, MA (US)

(72) Inventors: **Richard Abelson**, Gilbert, AZ (US);
Mark B. Abelson, Teton Village, WY (US); **Endri Angjeli**, Quincy, MA (US);
Keith Lane, Stow, MA (US)

(73) Assignee: **Ora, Inc.**, Andover, MA (US)

(**) Term: **15 Years**

(21) Appl. No.: **29/587,150**

(22) Filed: **Dec. 9, 2016**

(51) **LOC (12) Cl.** **24-02**

(52) **U.S. Cl.**
USPC **D24/172**

(58) **Field of Classification Search**
USPC D24/172, 120, 115, 150, 231, 108;
D14/299; D10/64
CPC A61B 3/113; A61B 3/1208; A61B 3/00;
A61H 35/02; A63C 11/02; A61F 9/0026;
A61F 9/0008
See application file for complete search history.

(56) **References Cited**

U.S. PATENT DOCUMENTS

- 1,852,837 A * 4/1932 Desmond A61B 3/1208
351/211
- 1,859,756 A * 5/1932 Tillyer A61B 3/1208
351/213
- 2,132,520 A * 10/1938 Taylor A61B 3/113
346/107.1
- 2,229,721 A * 1/1941 Brandt A61B 3/113
346/107.2
- D131,823 S * 3/1942 Peacock D24/120
- D134,263 S * 11/1942 Derham et al. D24/120
- D153,847 S * 5/1949 Bonilla D24/115

- 2,826,194 A * 3/1958 Golden A61H 35/02
128/200.14
- 2,920,624 A * 1/1960 Lerner A61F 9/0008
222/422
- 3,016,898 A * 1/1962 Erwin A61F 9/0026
604/298
- 3,026,522 A * 3/1962 Di Julio B63C 11/02
2/410

(Continued)

FOREIGN PATENT DOCUMENTS

- JP 2004-065854 A 3/2004
- JP 2004-261316 A 9/2004

(Continued)

OTHER PUBLICATIONS

U.S. Appl. No. 15/837,712, filed Dec. 11, 2017, now U.S. Pat. No. 2018/0160902, published.

Primary Examiner — Rhea Shields

(74) *Attorney, Agent, or Firm* — Cooley LLP; Ivor R. Elrifi; Cynthia A. Kozakiewicz

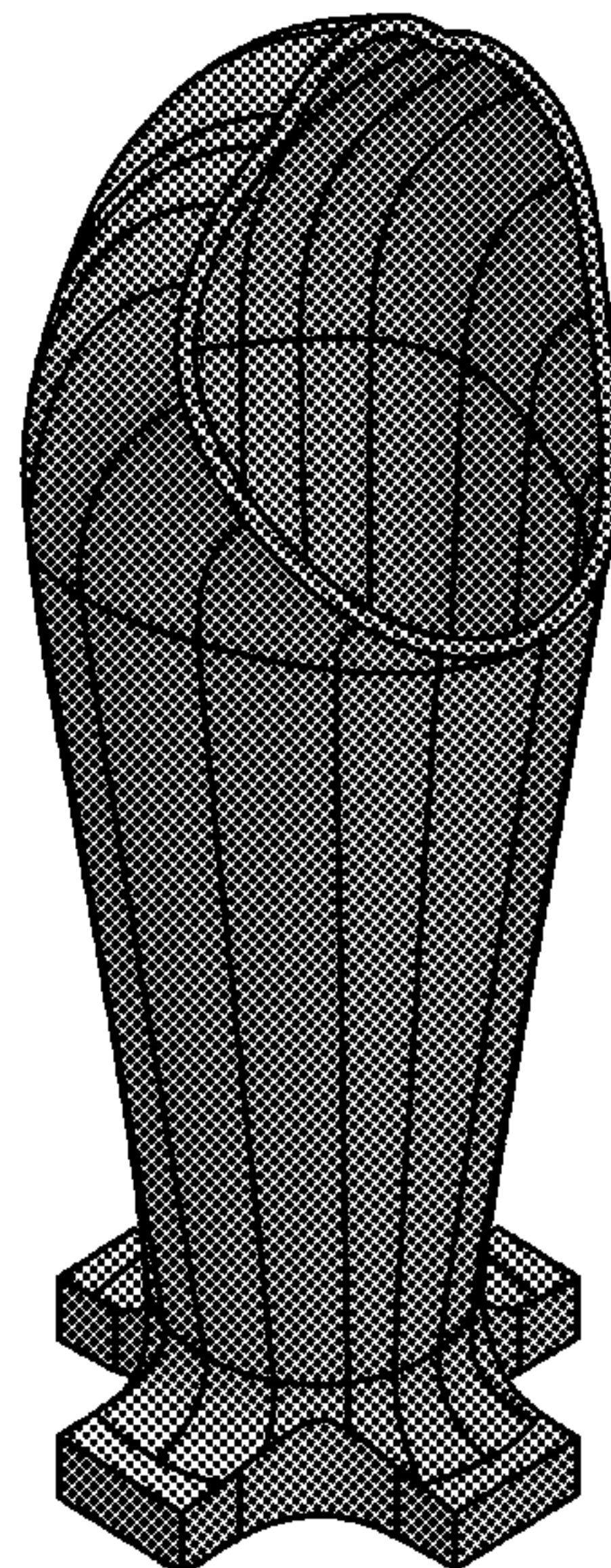
(57) **CLAIM**

The ornamental design for an apparatus for capturing an image of the eye, as shown and described.

DESCRIPTION

FIG. 1 is a top perspective view of an apparatus for capturing an image of the eye with an angled top attachment; FIG. 2 is a front view of the apparatus for capturing an image of the eye shown in FIG. 1; FIG. 3 is a side view thereof; FIG. 4 is a top view thereof; and, FIG. 5 is a bottom view thereof. In the drawings, the broken lines are for the purpose of illustrating environment only and form no part of the claimed design.

1 Claim, 4 Drawing Sheets



(56)

References Cited

U.S. PATENT DOCUMENTS

3,200,817 A * 8/1965 Brainard A61H 35/02
128/200.14
3,279,466 A * 10/1966 Mings A61F 9/0026
604/302
3,314,426 A * 4/1967 Carroll A61F 9/0008
128/200.14
3,602,217 A * 8/1971 Felton A61H 35/02
601/154
3,934,590 A * 1/1976 Campagna A61F 9/0026
604/302
D244,670 S * 6/1977 Winikoff D24/115
5,382,243 A * 1/1995 Mulholland A61F 9/0026
222/36
D403,399 S * 12/1998 Montgomery D24/120
D413,668 S * 9/1999 Mannberg D24/120
D444,874 S * 7/2001 Haffner D24/120
D502,771 S * 3/2005 Al Amri D24/120
D633,617 S * 3/2011 Bricker D24/150
8,177,175 B2 5/2012 Chang
D688,374 S * 8/2013 Kweon D10/64
D694,402 S * 11/2013 Lensch D24/120

D694,403 S * 11/2013 Lensch D24/120
8,746,638 B2 6/2014 Carney
8,798,453 B2 8/2014 Lawton
D737,450 S * 8/2015 Abelson D24/172
9,131,132 B2 9/2015 Graether
9,436,222 B2 9/2016 Lee et al.
D814,023 S * 3/2018 Burgman D24/120
2009/0109327 A1 4/2009 Chen et al.
2011/0085138 A1 4/2011 Filar
2015/0381794 A1 12/2015 Shulenberger
2016/0073877 A1 3/2016 Su et al.
2016/0073878 A1 3/2016 Su et al.
2016/0178112 A1 6/2016 Shi et al.
2016/0209733 A1 7/2016 Akai et al.
2016/0242734 A1 8/2016 Su et al.
2018/0160902 A1* 6/2018 Abelson A61B 3/00

FOREIGN PATENT DOCUMENTS

JP 2005-094792 A 4/2005
JP 3155214 U 11/2009
WO 2012/176960 A1 12/2012
WO 2014/014168 A1 1/2014
WO 2015/054672 A1 4/2015

* cited by examiner

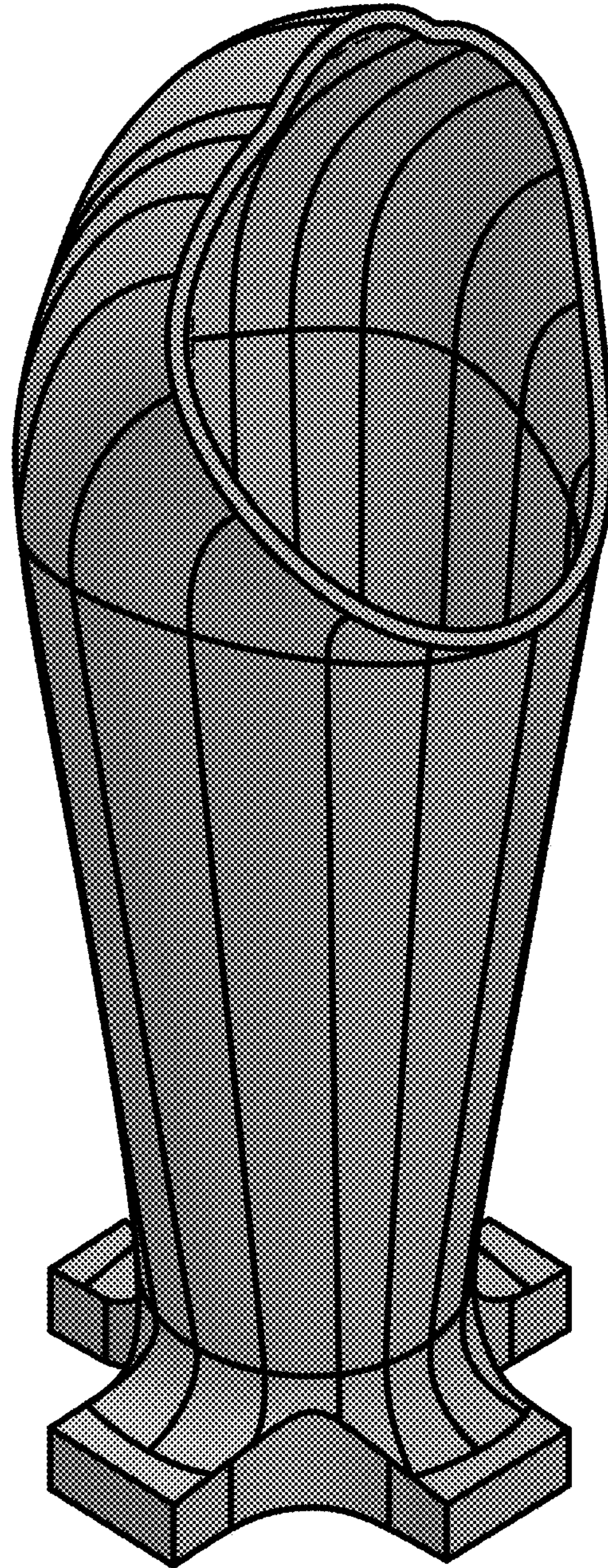


FIG. 1

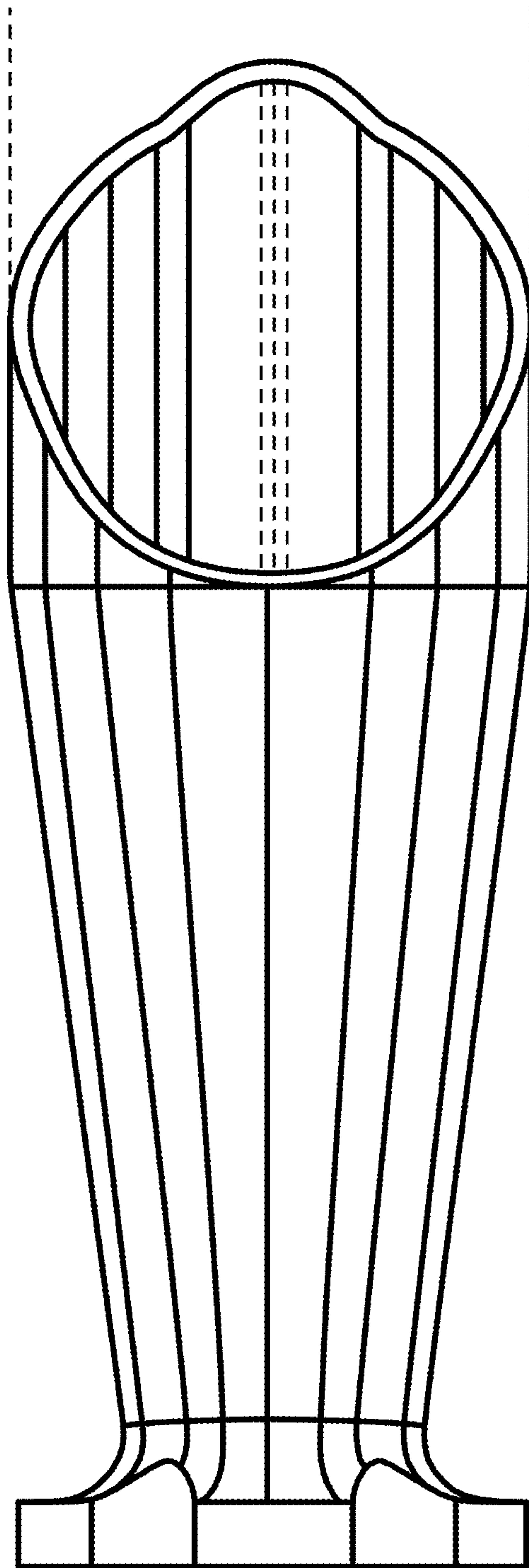


FIG. 2

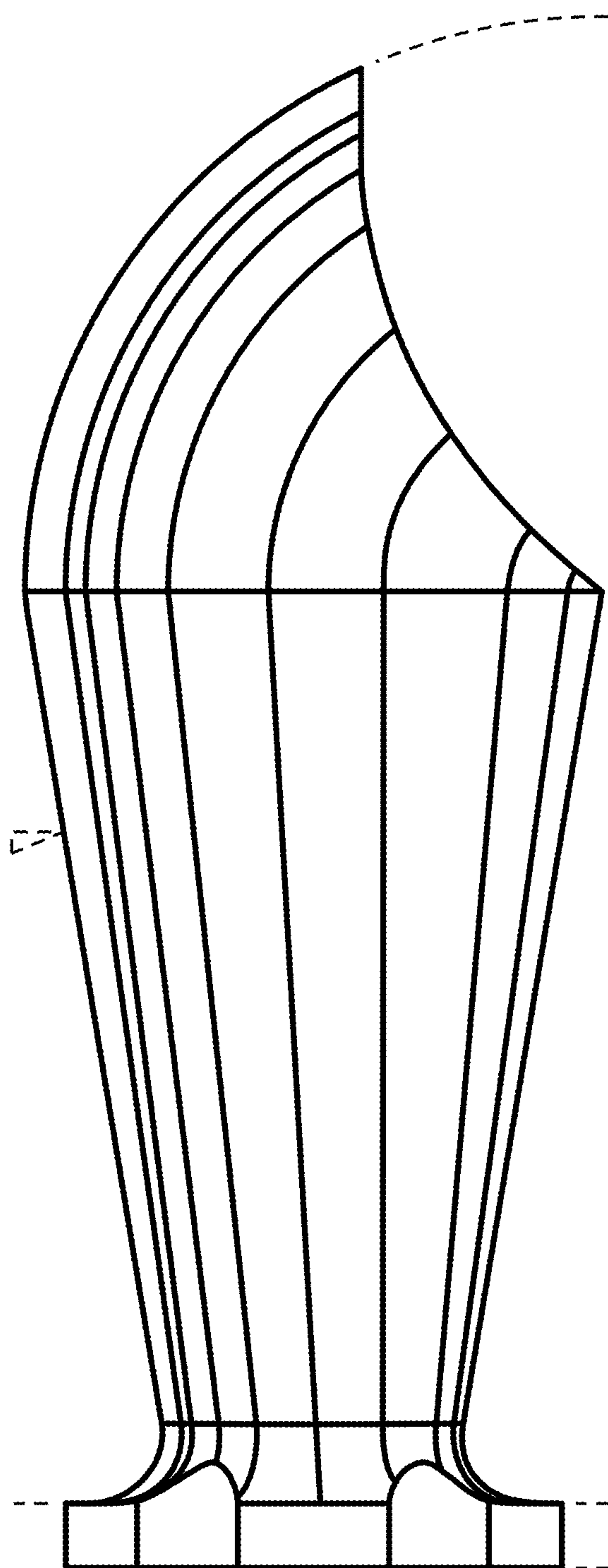


FIG. 3

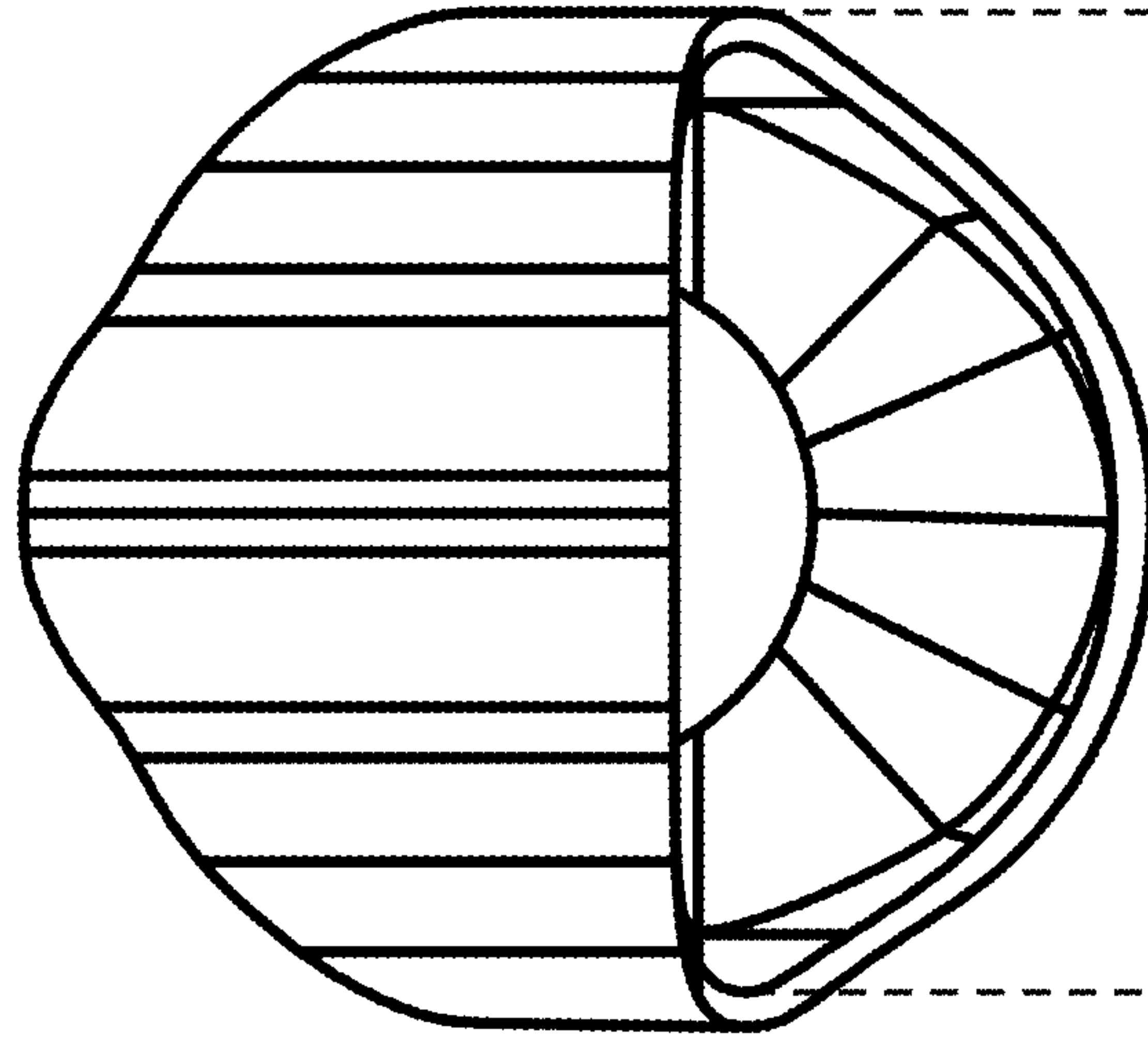


FIG. 4

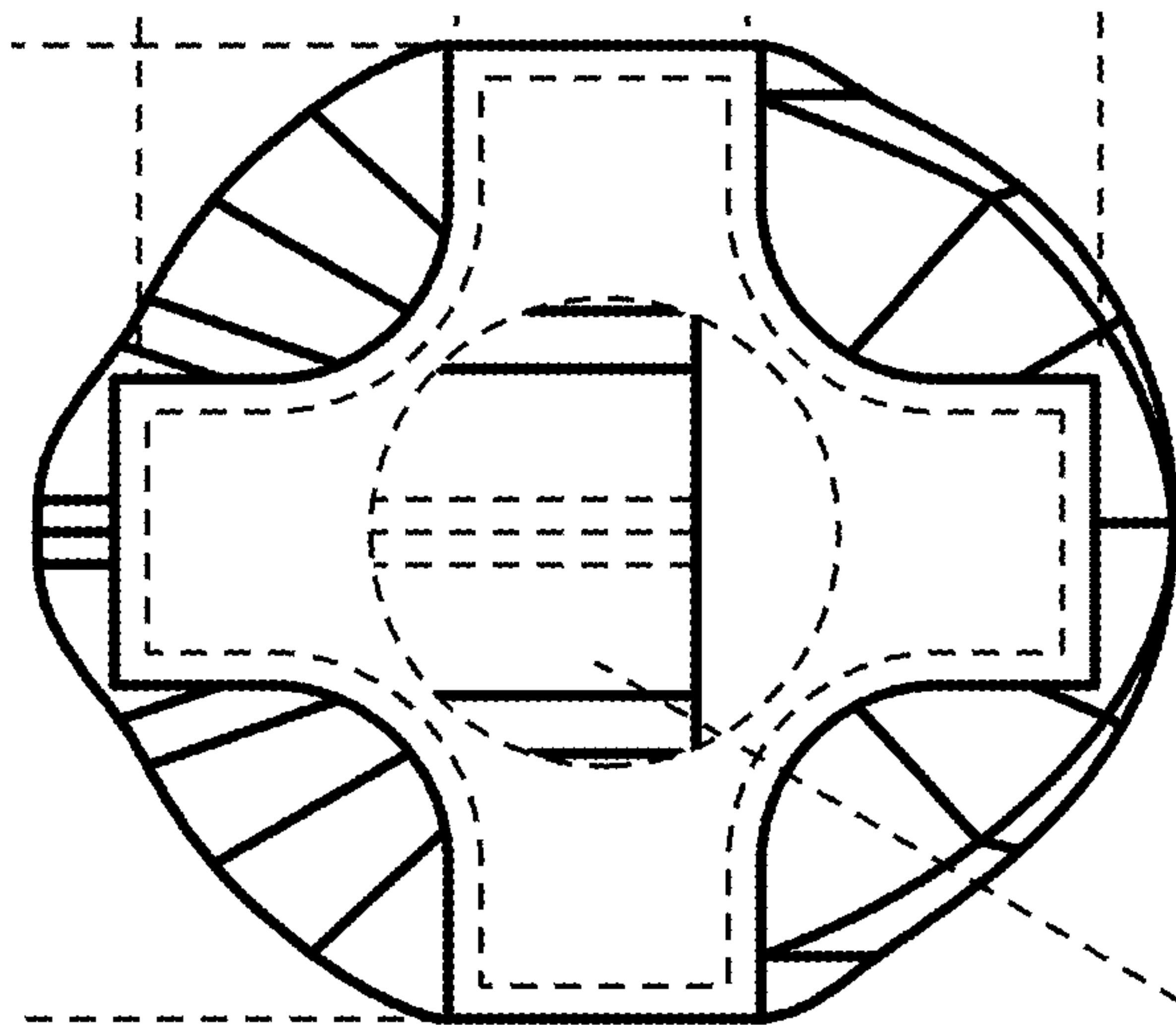


FIG. 5