



US00D875945S

(12) **United States Design Patent**
Brose et al.

(10) **Patent No.:** **US D875,945 S**

(45) **Date of Patent:** **** Feb. 18, 2020**

(54) **APPARATUS FOR COOLING AND/OR WARMING AIR**

(71) Applicant: **SATA GmbH & Co. KG,**
Kornwestheim (DE)

(72) Inventors: **Jens Brose,** Ottmarsheim (DE); **Marco Schönemann,** Wendlingen (DE)

(73) Assignee: **SATA GMBH & CO. KG,**
Kornwestheim (DE)

(**) Term: **15 Years**

(21) Appl. No.: **29/594,320**

(22) Filed: **Feb. 17, 2017**

(30) **Foreign Application Priority Data**

Aug. 19, 2016 (EM) 03347053

(51) **LOC (12) Cl.** **24-02**

(52) **U.S. Cl.**
USPC **D24/164; D24/110; D24/185**

(58) **Field of Classification Search**
USPC D24/110, 164, 185; D23/370, 332
CPC A62B 9/003
See application file for complete search history.

(56) **References Cited**

U.S. PATENT DOCUMENTS

D279,705 S *	7/1985	Wada	D24/164
D372,529 S *	8/1996	Remes	D24/110
D436,401 S *	1/2001	Remes	D24/164
D437,056 S *	1/2001	Remes	D24/164
D490,519 S *	5/2004	Pelerossi	D24/110
D510,437 S *	10/2005	Lang	D24/164
D549,341 S *	8/2007	Ross	D24/164
D590,505 S *	4/2009	Mazoyer	D24/164
D716,452 S *	10/2014	Hutchison	D24/164

(Continued)

Primary Examiner — Janice Hallmark

(74) *Attorney, Agent, or Firm* — Paul D. Bianco; Lourdes Perez; Fleit Intellectual Property Law

(57) **CLAIM**

The ornamental design for an apparatus for cooling and/or warming air, as shown and described.

DESCRIPTION

FIG. 1 is a perspective view of a first embodiment of an apparatus for cooling and/or warming air according to the present invention;

FIG. 2 is first side view of the apparatus for cooling and/or warming air of FIG. 1;

FIG. 3 is a front view of the apparatus for cooling and/or warming air of FIG. 1;

FIG. 4 is a second side view of the apparatus for cooling and/or warming air of FIG. 1;

FIG. 5 is a back view of the apparatus for cooling and/or warming air of FIG. 1;

FIG. 6 is a top view of the apparatus for cooling and/or warming air of FIG. 1;

FIG. 7 is a bottom view of the apparatus for cooling and/or warming air of FIG. 1;

FIG. 8 is a perspective view of a second embodiment of an apparatus for cooling and/or warming air according to the present invention;

FIG. 9 is first side view of the apparatus for cooling and/or warming air of FIG. 8;

FIG. 10 is a front view of the apparatus for cooling and/or warming air of FIG. 8;

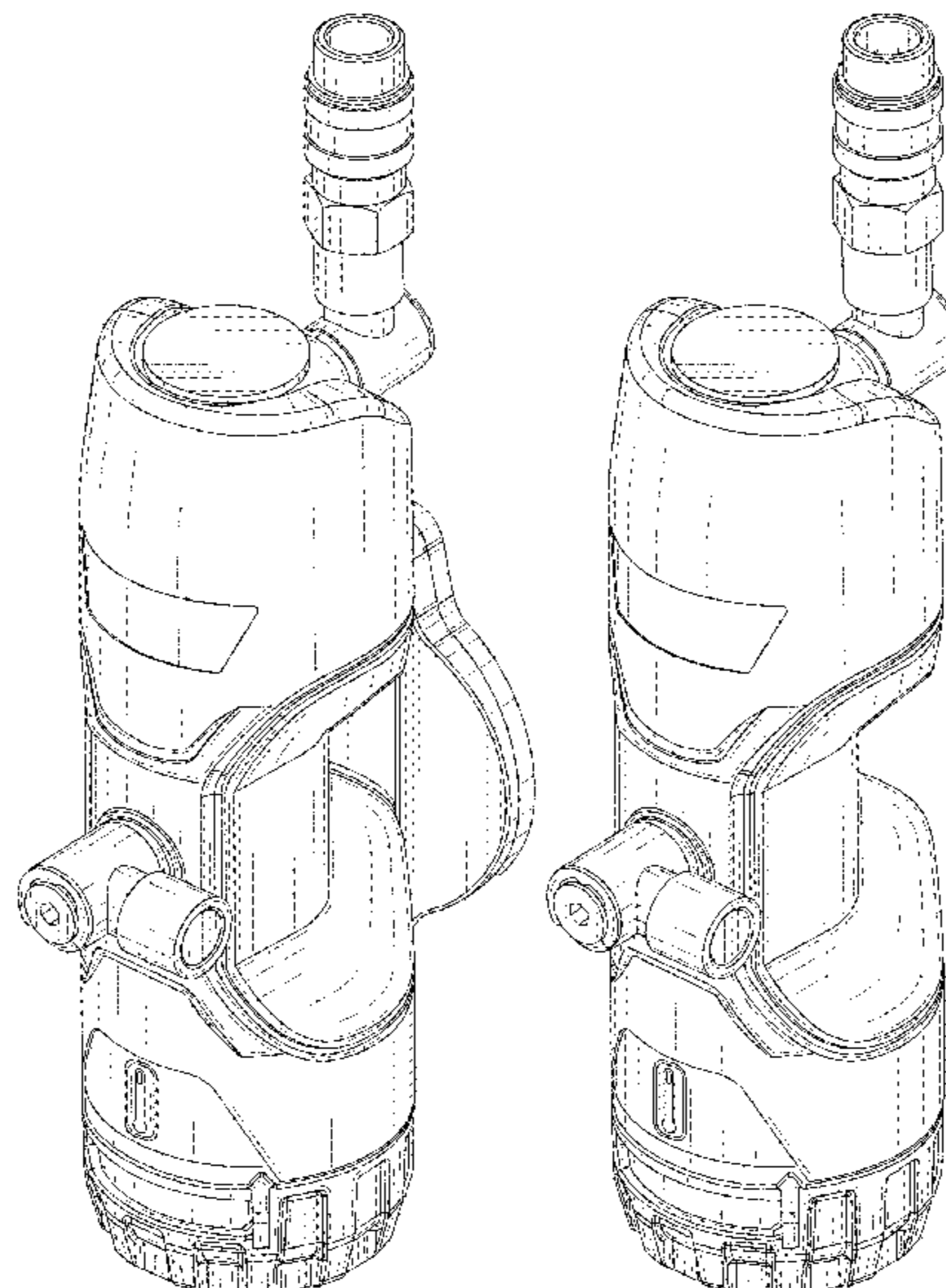
FIG. 11 is a second side view of the apparatus for cooling and/or warming air of FIG. 8;

FIG. 12 is a back view of the apparatus for cooling and/or warming air of FIG. 8;

FIG. 13 is a top view of the apparatus for cooling and/or warming air of FIG. 8; and,

FIG. 14 is a bottom view of the apparatus for cooling and/or warming air of FIG. 8.

1 Claim, 12 Drawing Sheets



(56)

References Cited

U.S. PATENT DOCUMENTS

D776,278	S *	1/2017	Newman	D24/164
D797,935	S *	9/2017	Newman	D24/164
D809,124	S *	1/2018	Bertinetti	D24/110
D844,787	S *	4/2019	Formica	D24/164
D854,691	S *	7/2019	Kondo	D24/164
D857,902	S *	8/2019	Zhang	D24/185
2018/0050227	A1 *	2/2018	Brose	A62B 9/003
2019/0175959	A1 *	6/2019	Brose	A62B 9/003

* cited by examiner

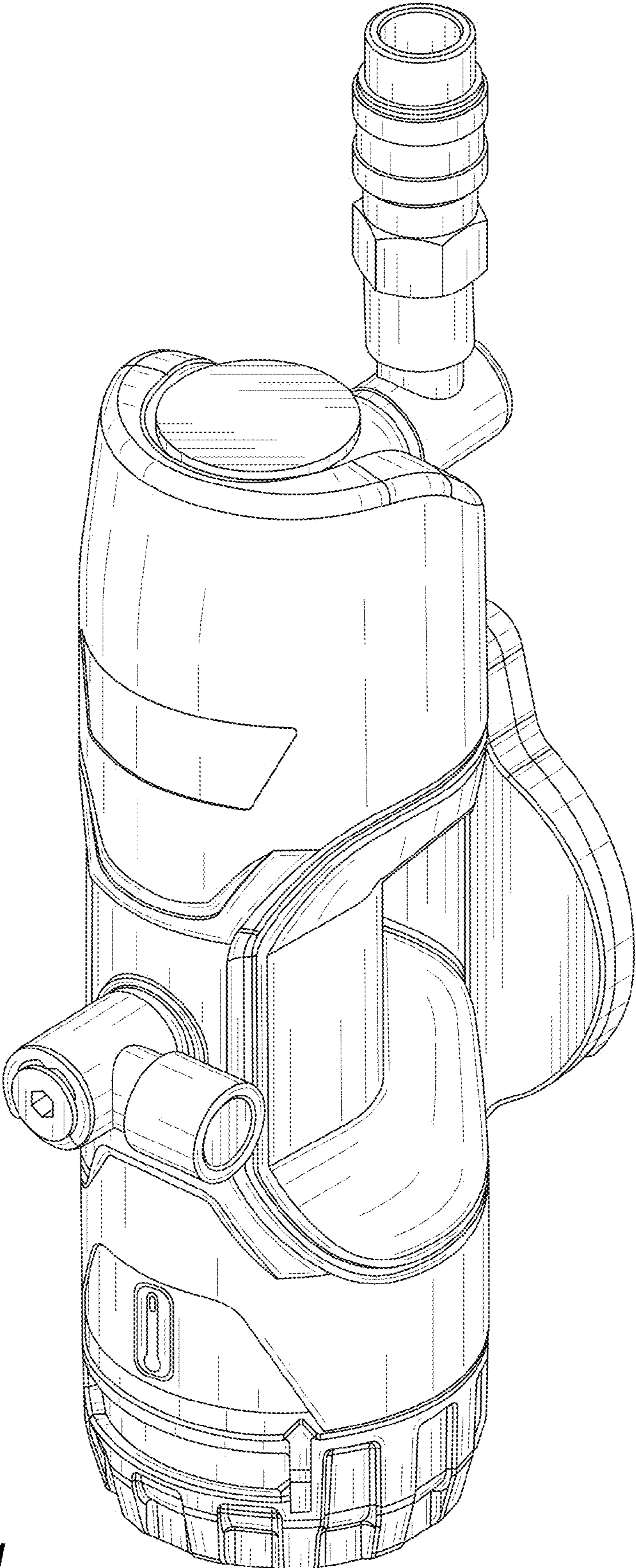


FIG. 1

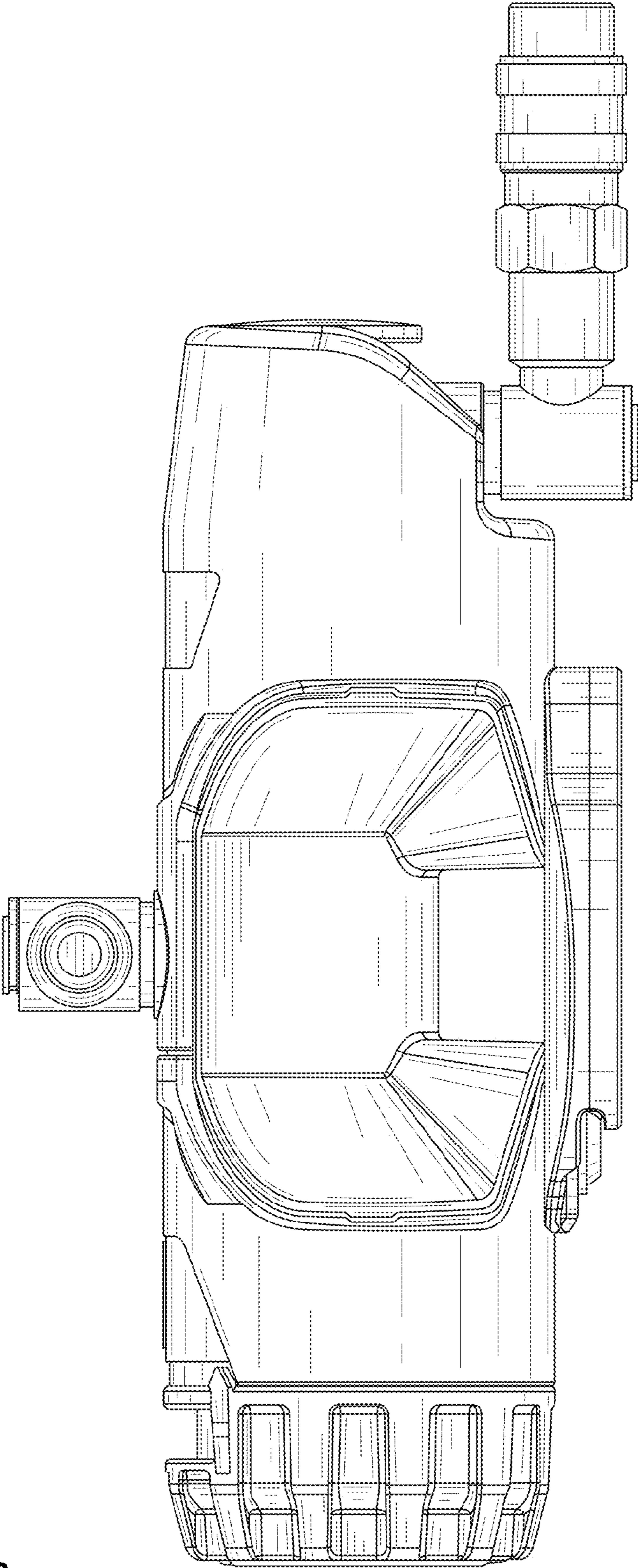


FIG. 2

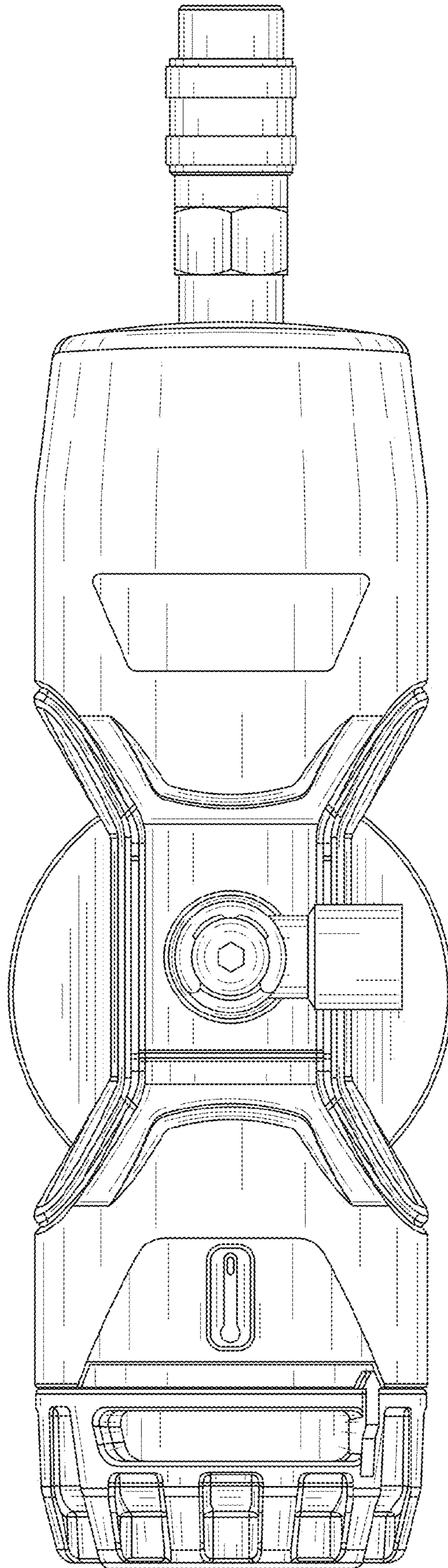


FIG. 3

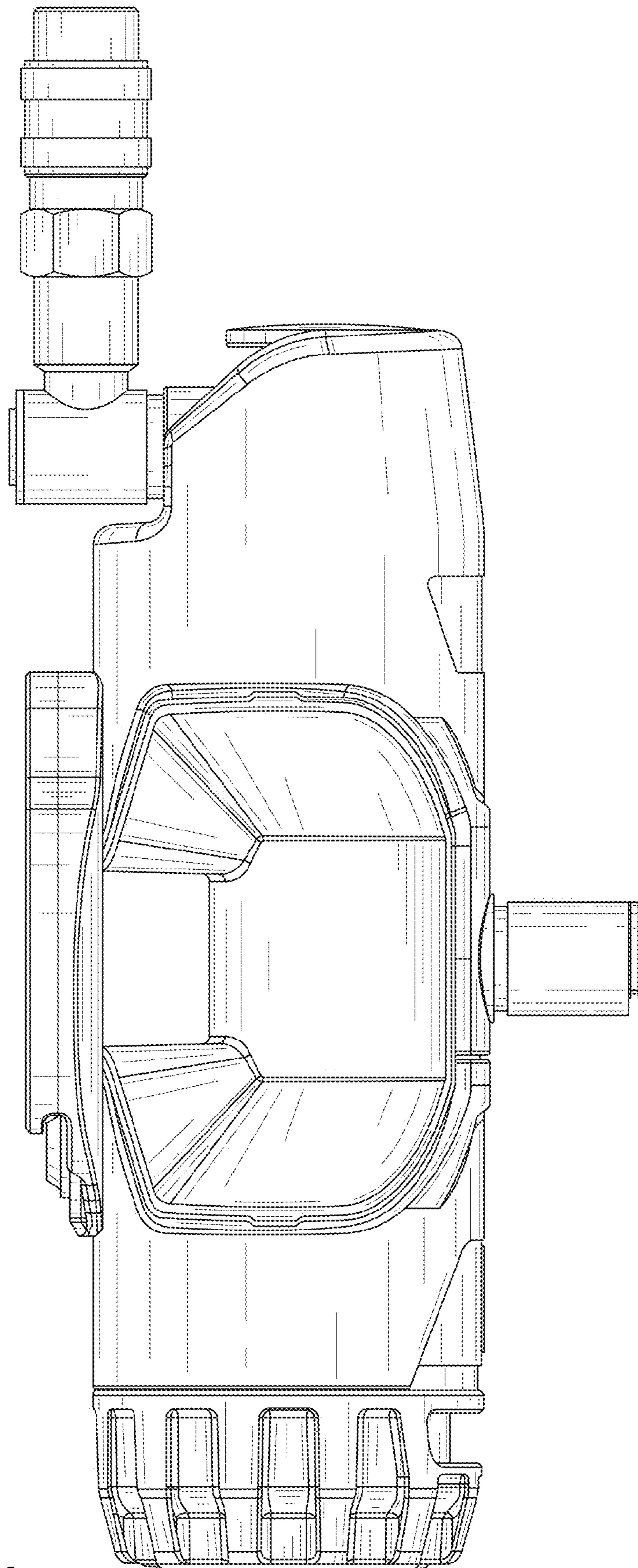


FIG. 4

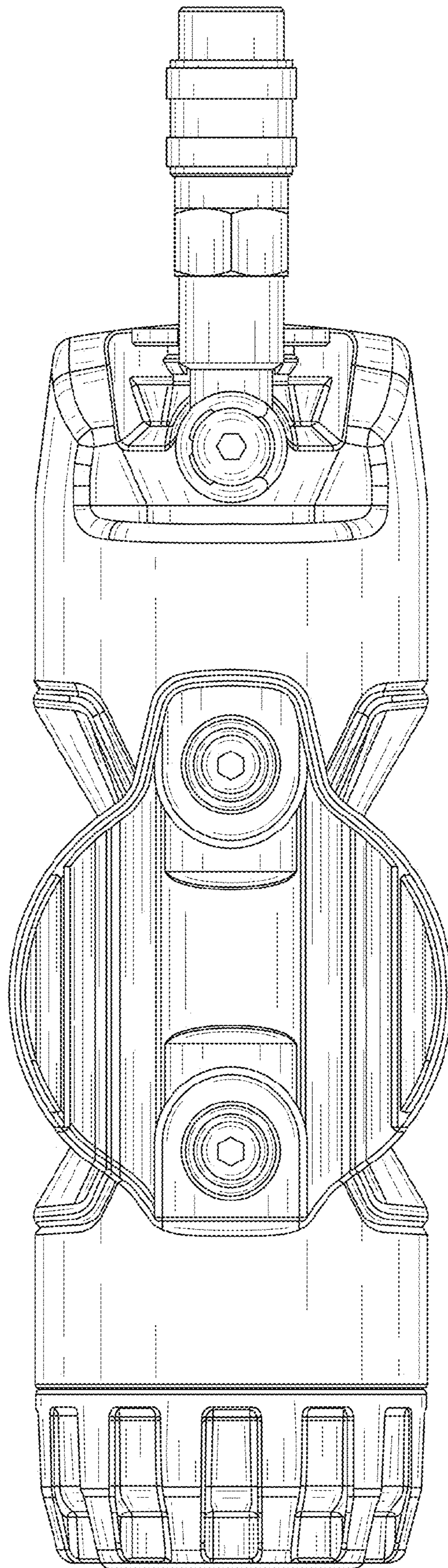


FIG. 5

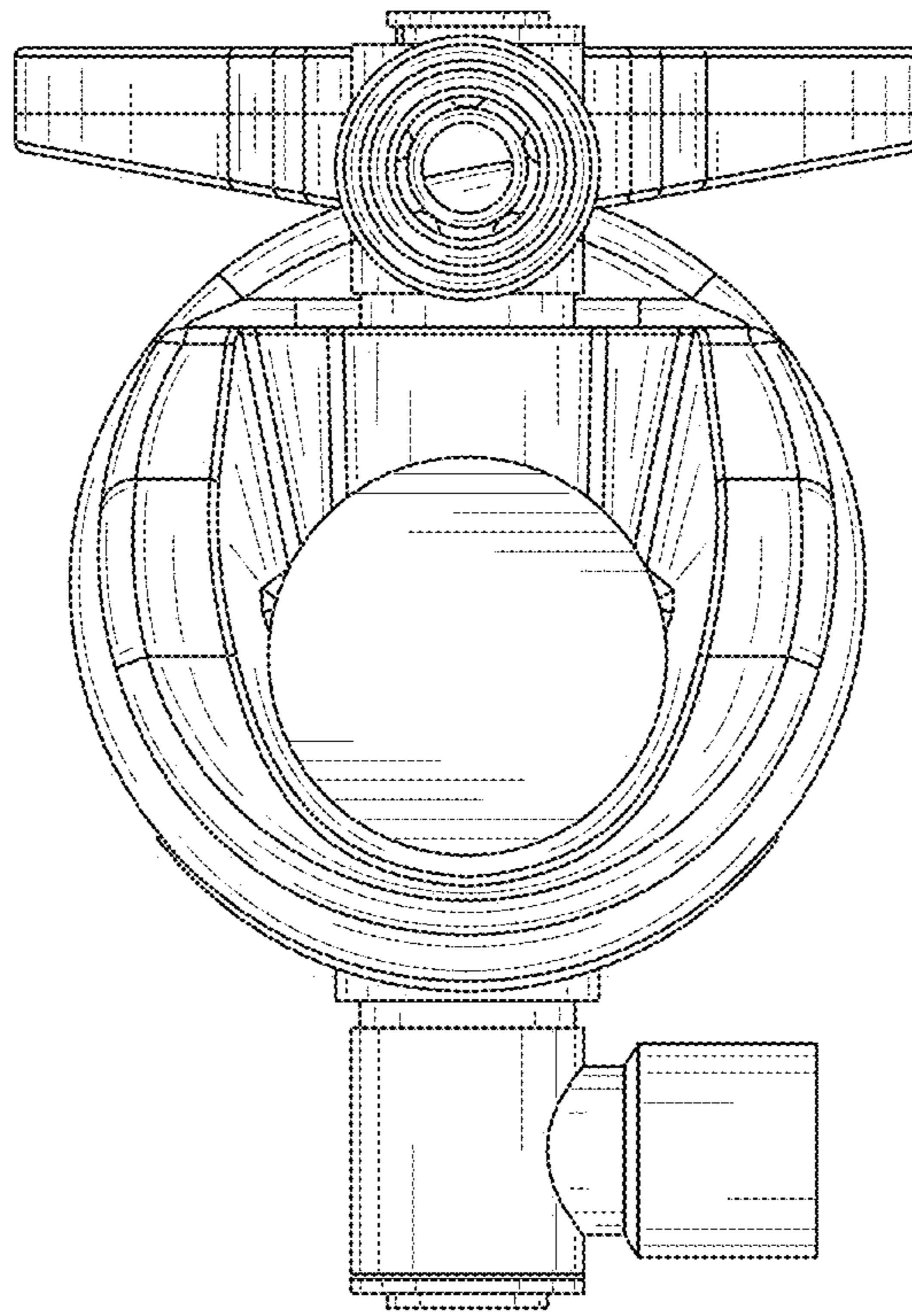


FIG. 6

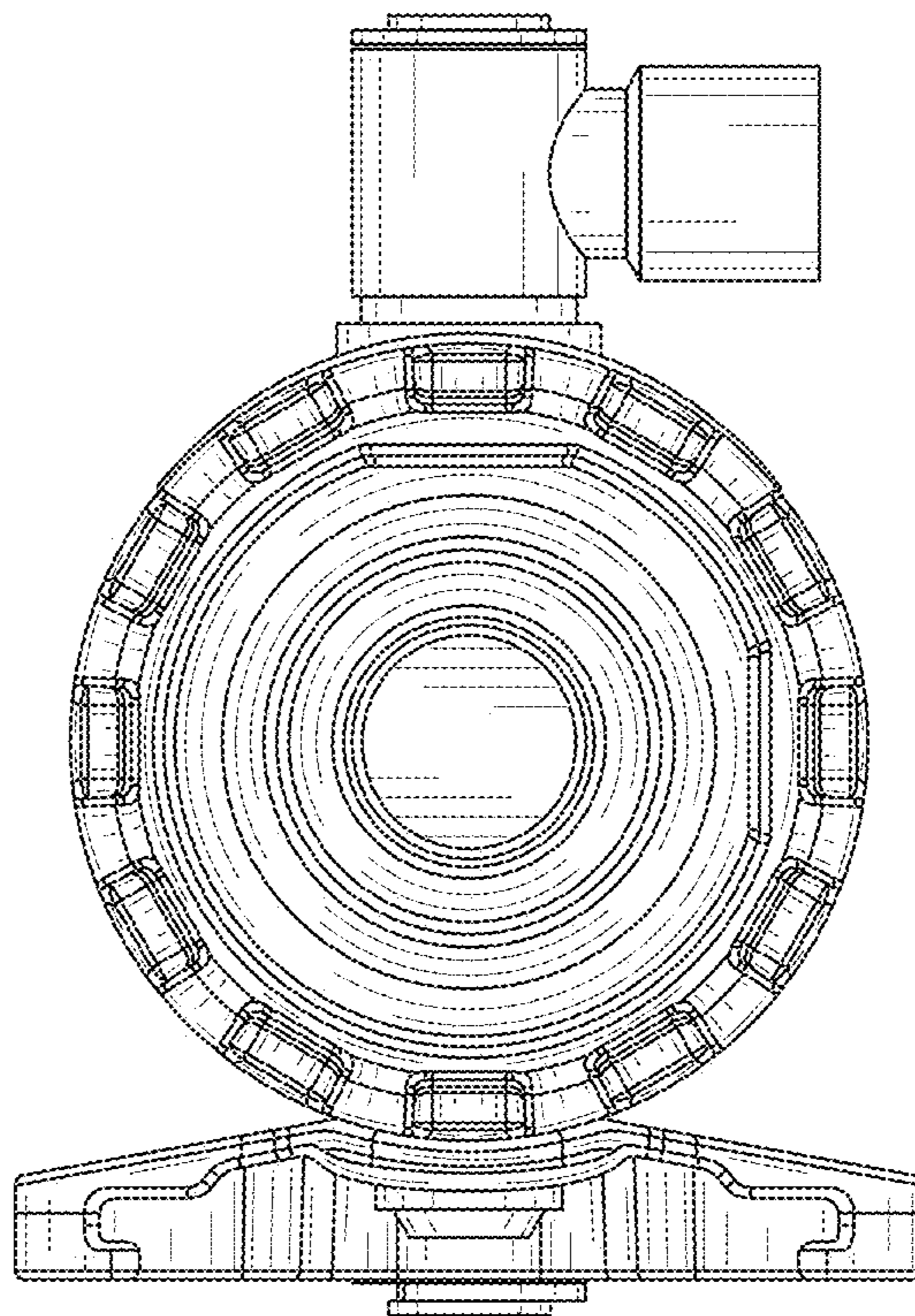


FIG. 7

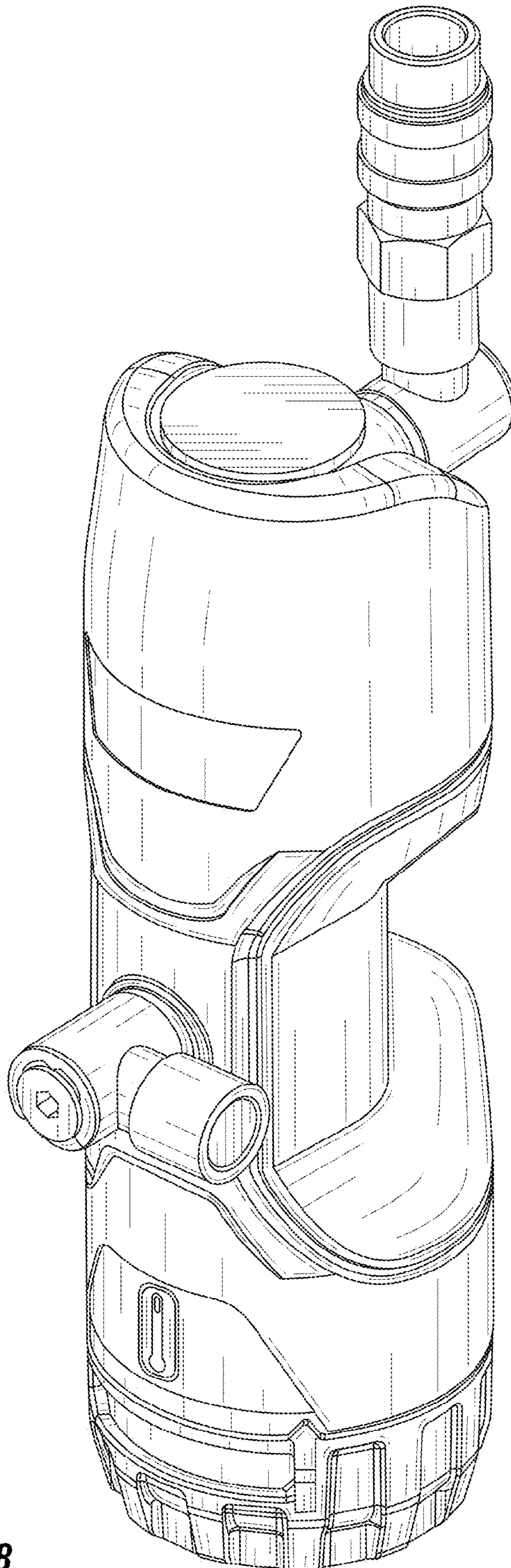


FIG. 8

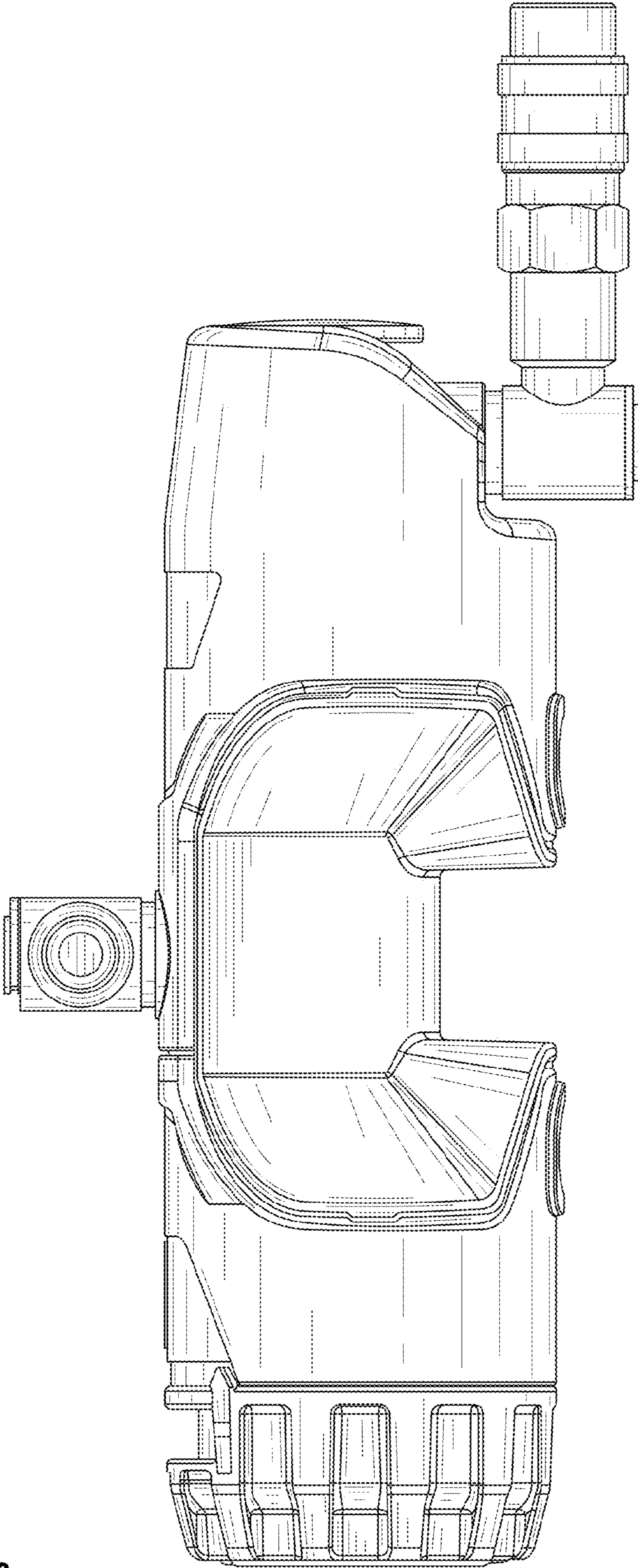


FIG. 9

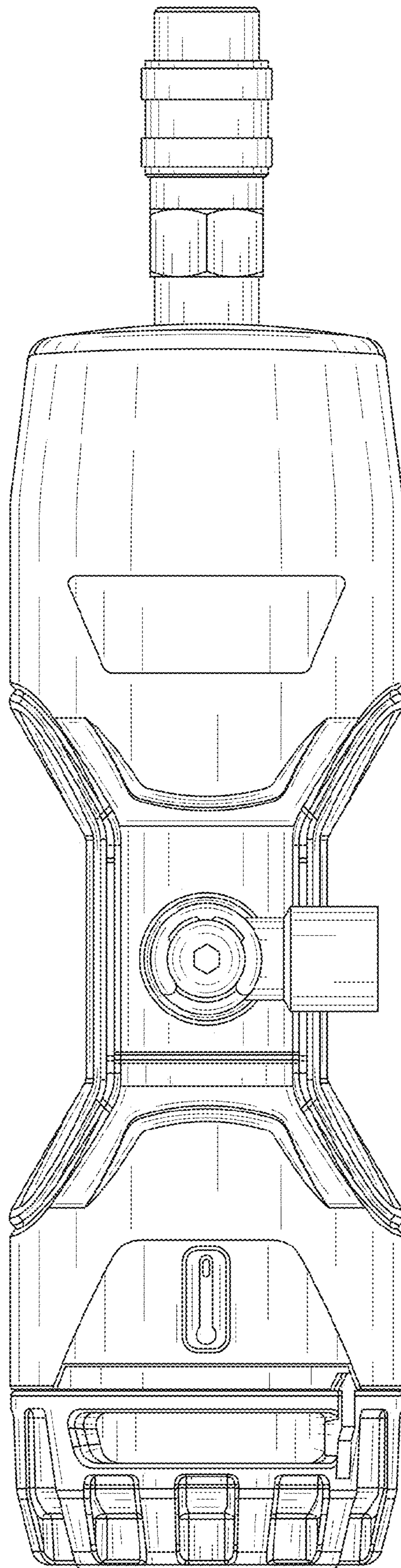


FIG. 10

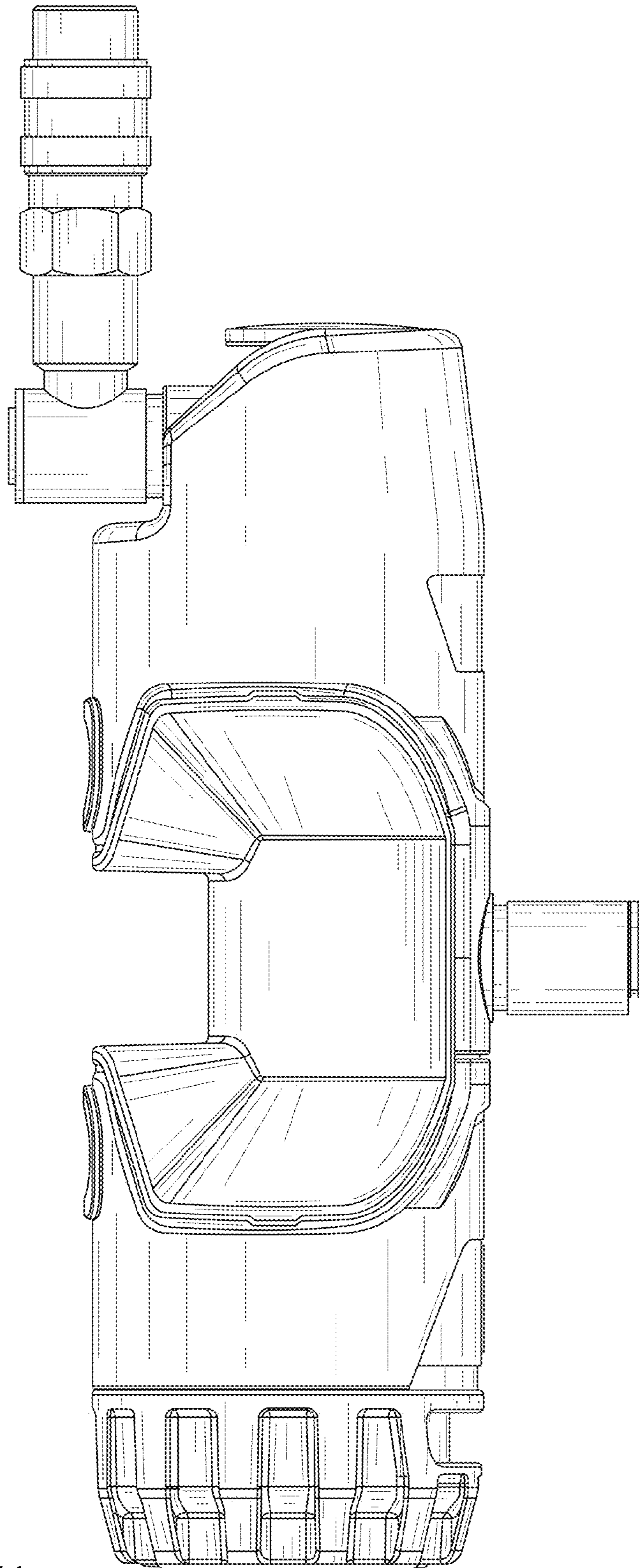


FIG. 11

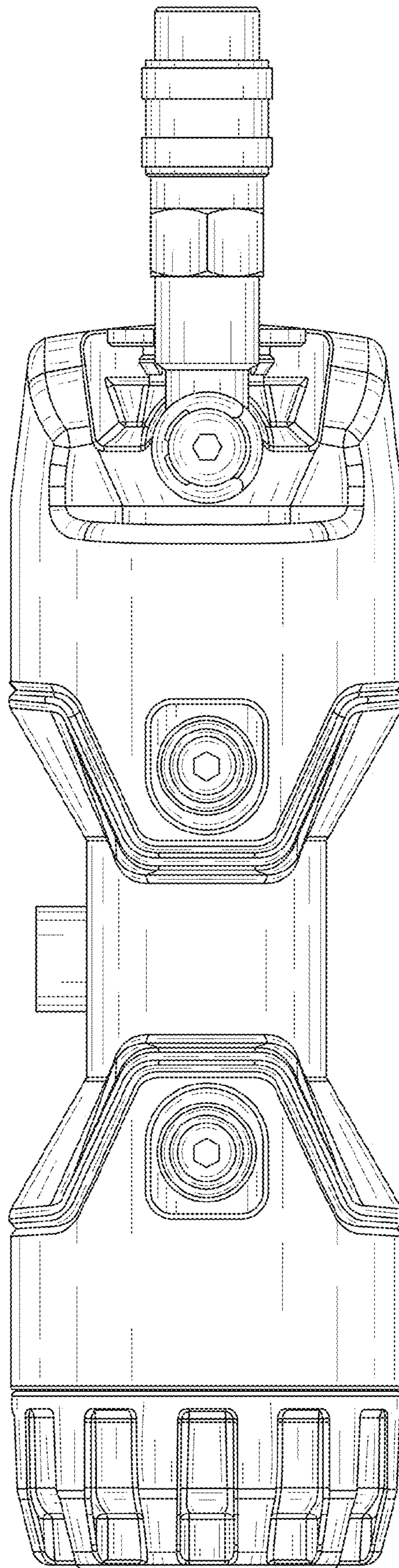


FIG. 12

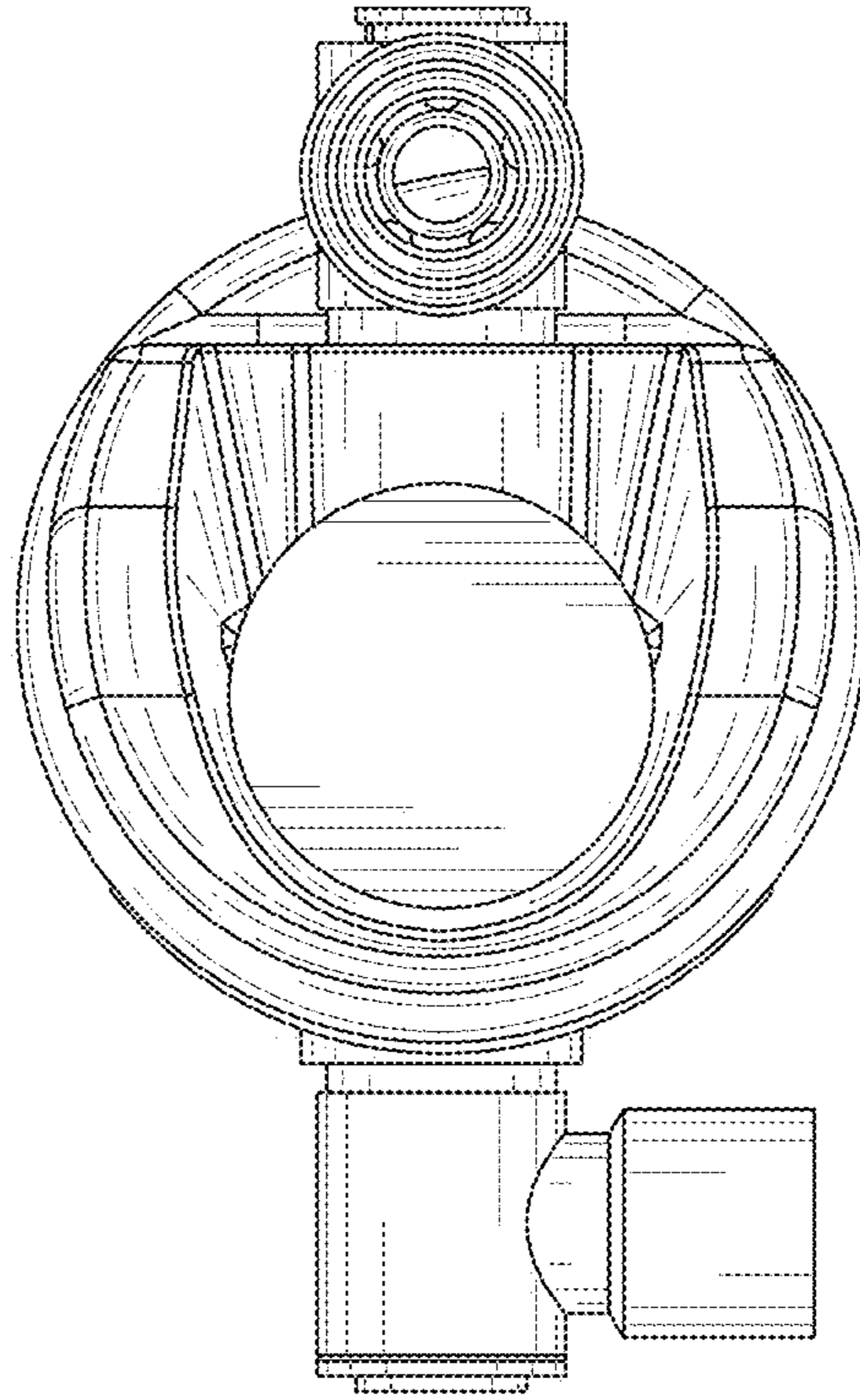


FIG. 13

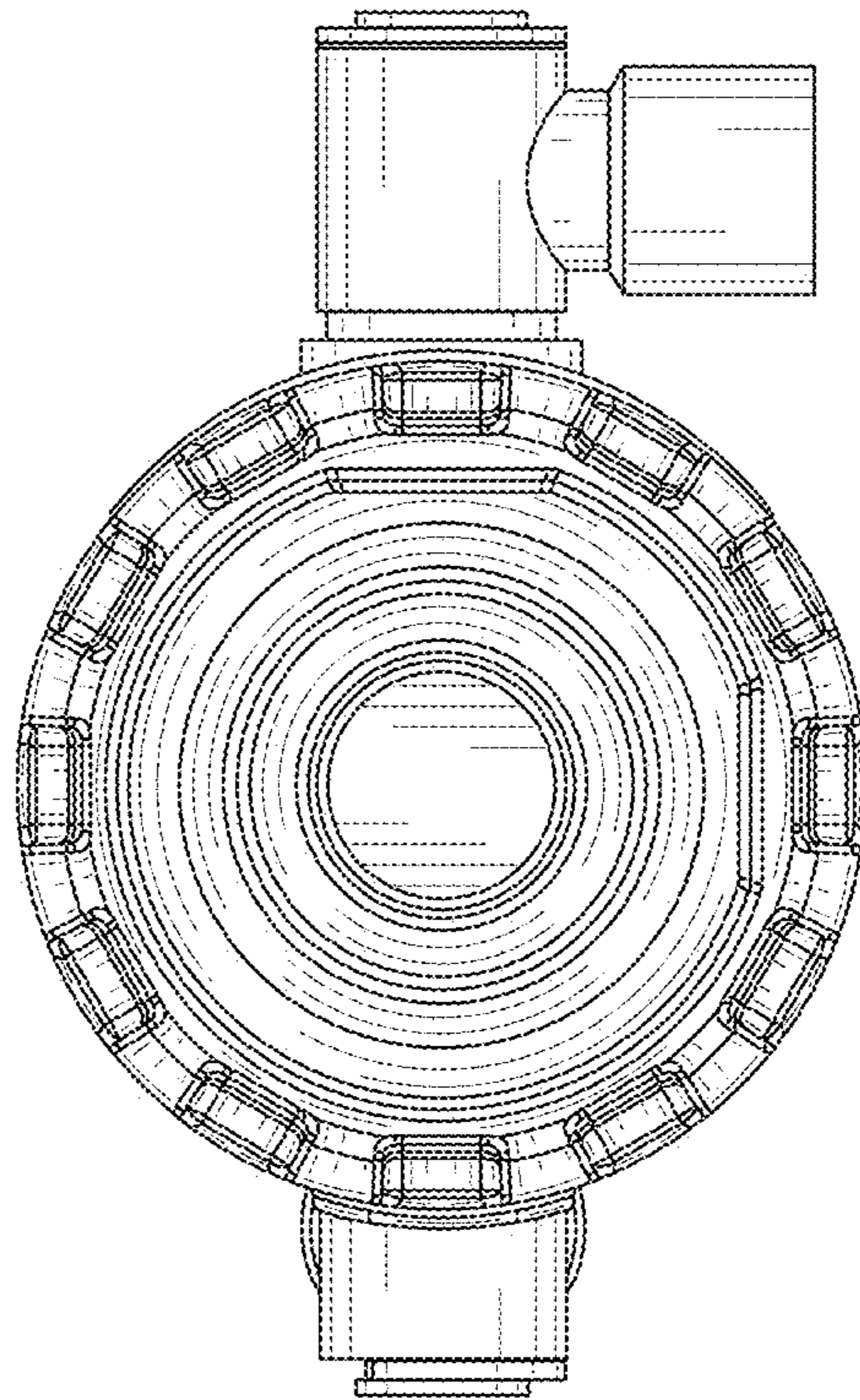


FIG. 14