



US00D875943S

(12) **United States Design Patent**
Dayton et al.

(10) **Patent No.:** **US D875,943 S**
(45) **Date of Patent:** **** Feb. 18, 2020**

(54) **X-RAY GENERATOR TUBE FOR A MEDICAL IMAGING DEVICE**

(71) Applicant: **General Electric Company**,
Schenectady, NY (US)

(72) Inventors: **Kenwood P. Dayton**, Mequon, WI (US); **Brandon Smith**, Waukesha, WI (US); **Chad Smith**, Franklin, WI (US); **Edward Emaci**, Brookfield, WI (US); **Alex Ryan**, Muskego, WI (US); **Mike Hebert**, Milwaukee, WI (US)

(73) Assignee: **General Electric Company**,
Schenectady, NY (US)

(**) Term: **15 Years**

(21) Appl. No.: **29/663,387**

(22) Filed: **Sep. 14, 2018**

Related U.S. Application Data

(62) Division of application No. 29/585,484, filed on Nov. 23, 2016, now Pat. No. Des. 844,785.

(51) **LOC (12) Cl.** **24-01**

(52) **U.S. Cl.**
USPC **D24/158**

(58) **Field of Classification Search**
USPC D24/158-161, 185, 186, 107
CPC A61N 2005/1061; A61N 5/10; A61N 5/1081; A61N 5/1048; A61N 5/1049
See application file for complete search history.

(56) **References Cited**

U.S. PATENT DOCUMENTS

6,519,312 B1 * 2/2003 Tybinkowski A61B 6/035
378/15
D726,921 S * 4/2015 Ishihara D24/158
D743,554 S * 11/2015 Hejazi D24/158

D844,785 S * 4/2019 Dayton D24/158
2007/0019783 A1 * 1/2007 Hockersmith A61B 6/4429
378/16
2014/0362969 A1 * 12/2014 Hockersmith G01N 23/046
378/4
2015/0265229 A1 * 9/2015 Maki A61B 6/4435
378/4

(Continued)

Primary Examiner — Anhdao Doan

(74) *Attorney, Agent, or Firm* — McCoy Russell LLP

(57) **CLAIM**

The ornamental design for an X-ray generator tube for a medical imaging device, as shown and described.

DESCRIPTION

FIG. 1 is a front view of a design for an X-ray generator tube for a medical imaging device.

FIG. 2 is a rear view of the X-ray generator tube for a medical imaging device.

FIG. 3 is a bottom view of the X-ray generator tube for a medical imaging device.

FIG. 4 is a top view of the X-ray generator tube for a medical imaging device.

FIG. 5 is a right side view of the X-ray generator tube for a medical imaging device.

FIG. 6 is a left side view of the X-ray generator tube for a medical imaging device.

FIG. 7 is a left top and rear perspective view of the X-ray generator tube for a medical imaging device.

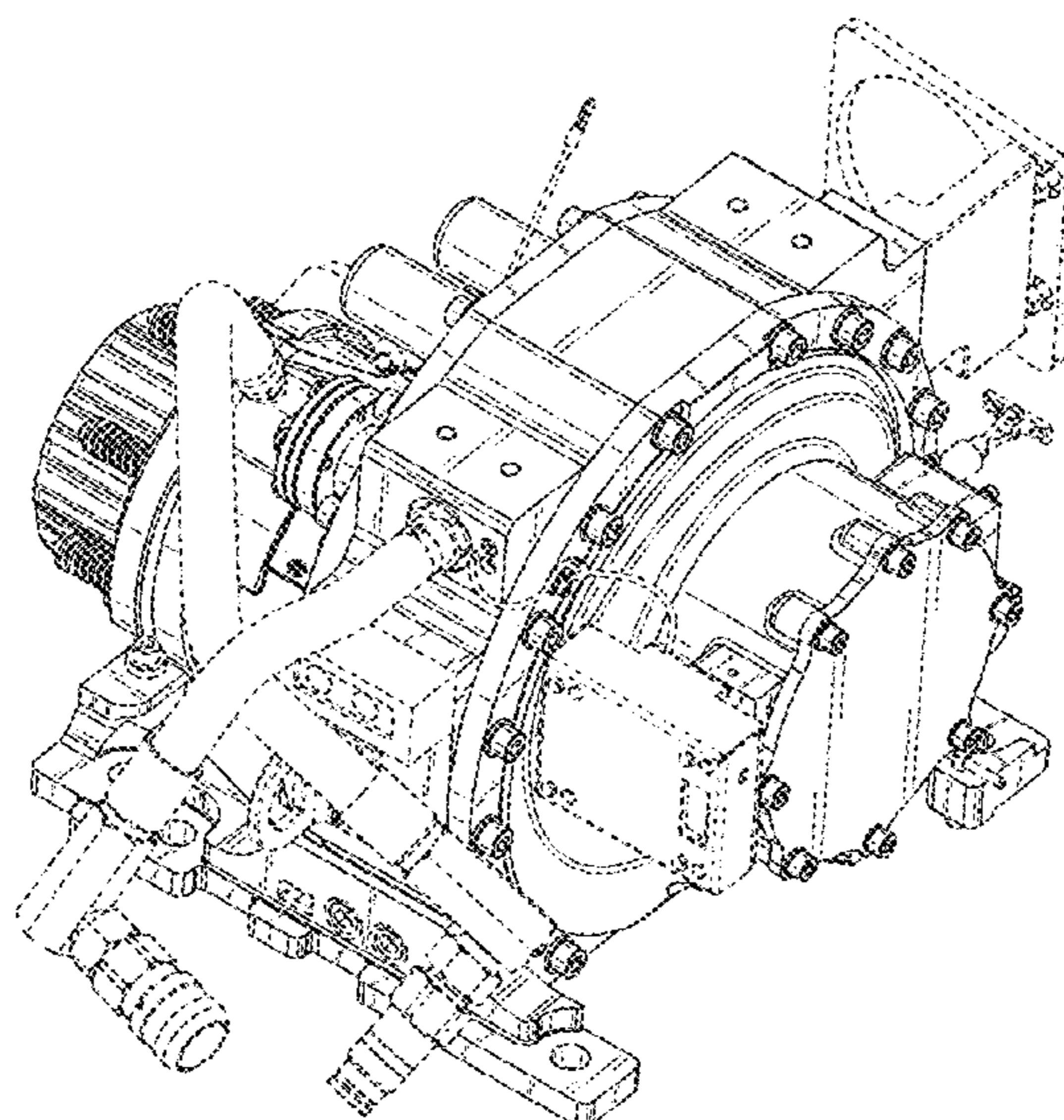
FIG. 8 is a left top and front perspective view of the X-ray generator tube for a medical imaging device.

FIG. 9 is a right and rear perspective view of the X-ray generator tube for a medical imaging device; and,

FIG. 10 is a rear perspective view of the X-ray generator tube for a medical imaging device.

The broken lines in FIGS. 1-10 are included for the purpose of illustrating environmental structure and form no part of the claimed design.

1 Claim, 10 Drawing Sheets



(56)

References Cited

U.S. PATENT DOCUMENTS

2016/0287904 A1* 10/2016 Liu A61B 6/035
2018/0133518 A1* 5/2018 Harper A61N 5/1045

* cited by examiner

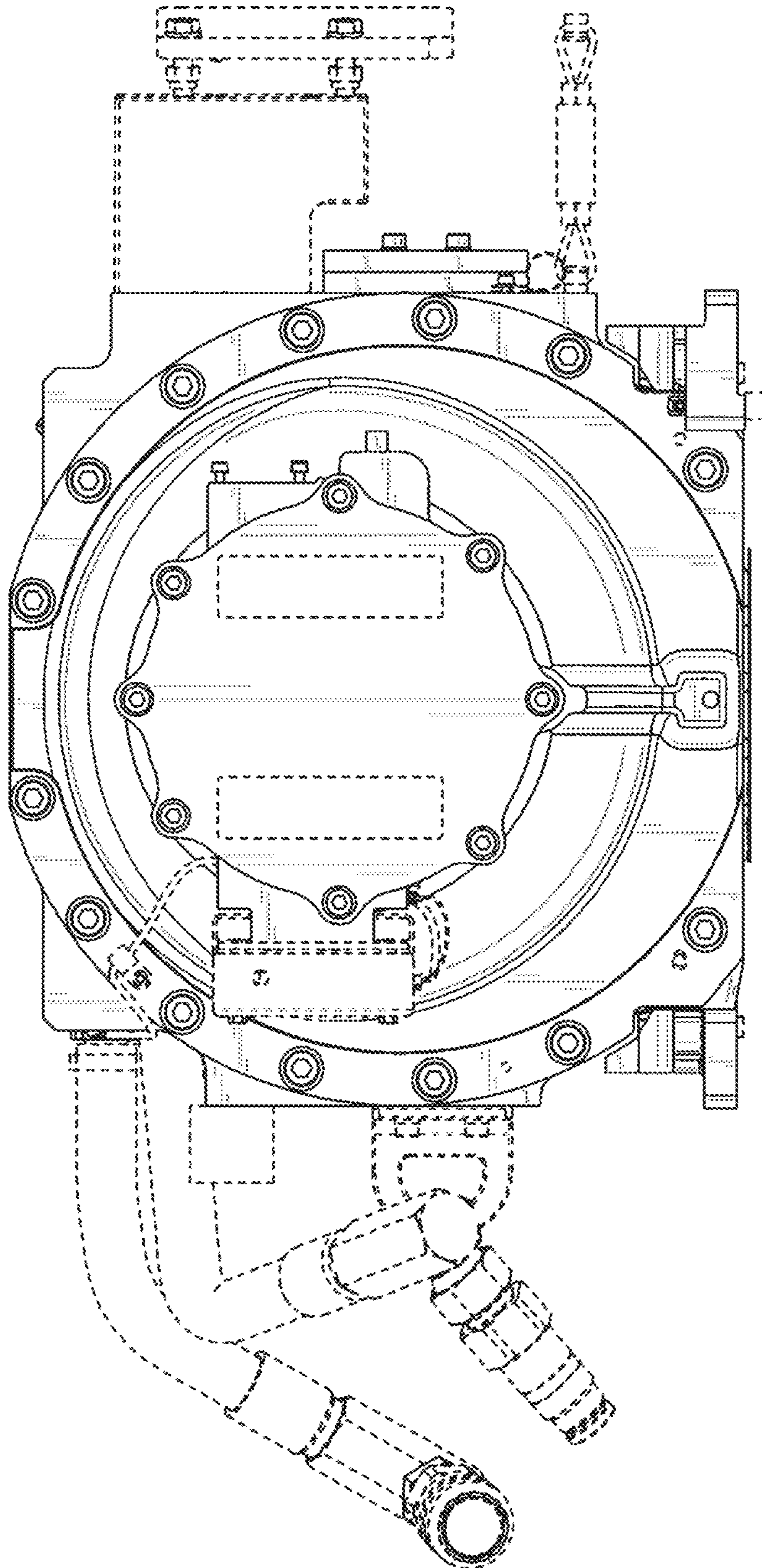


Fig. 1

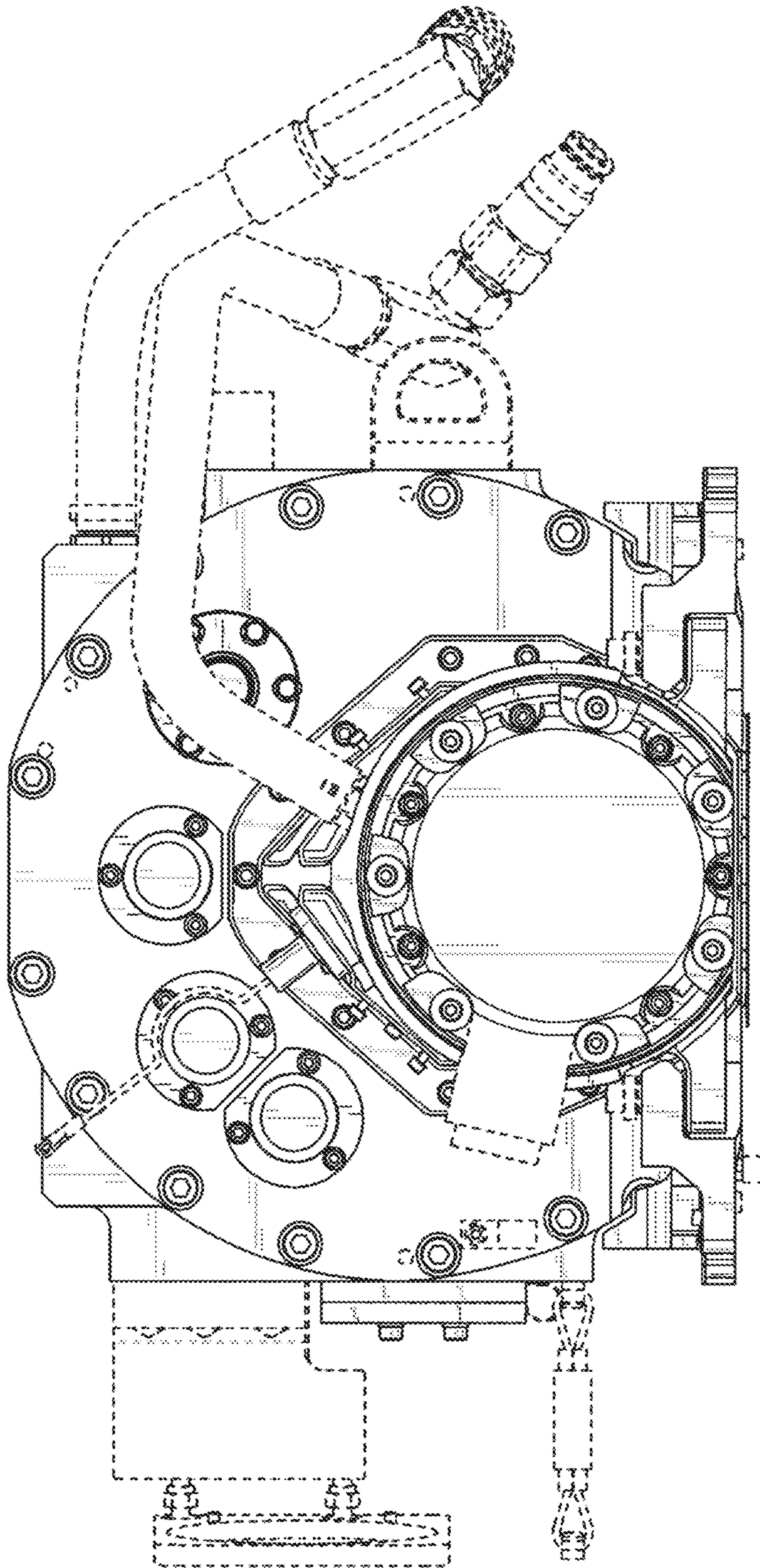


Fig. 2

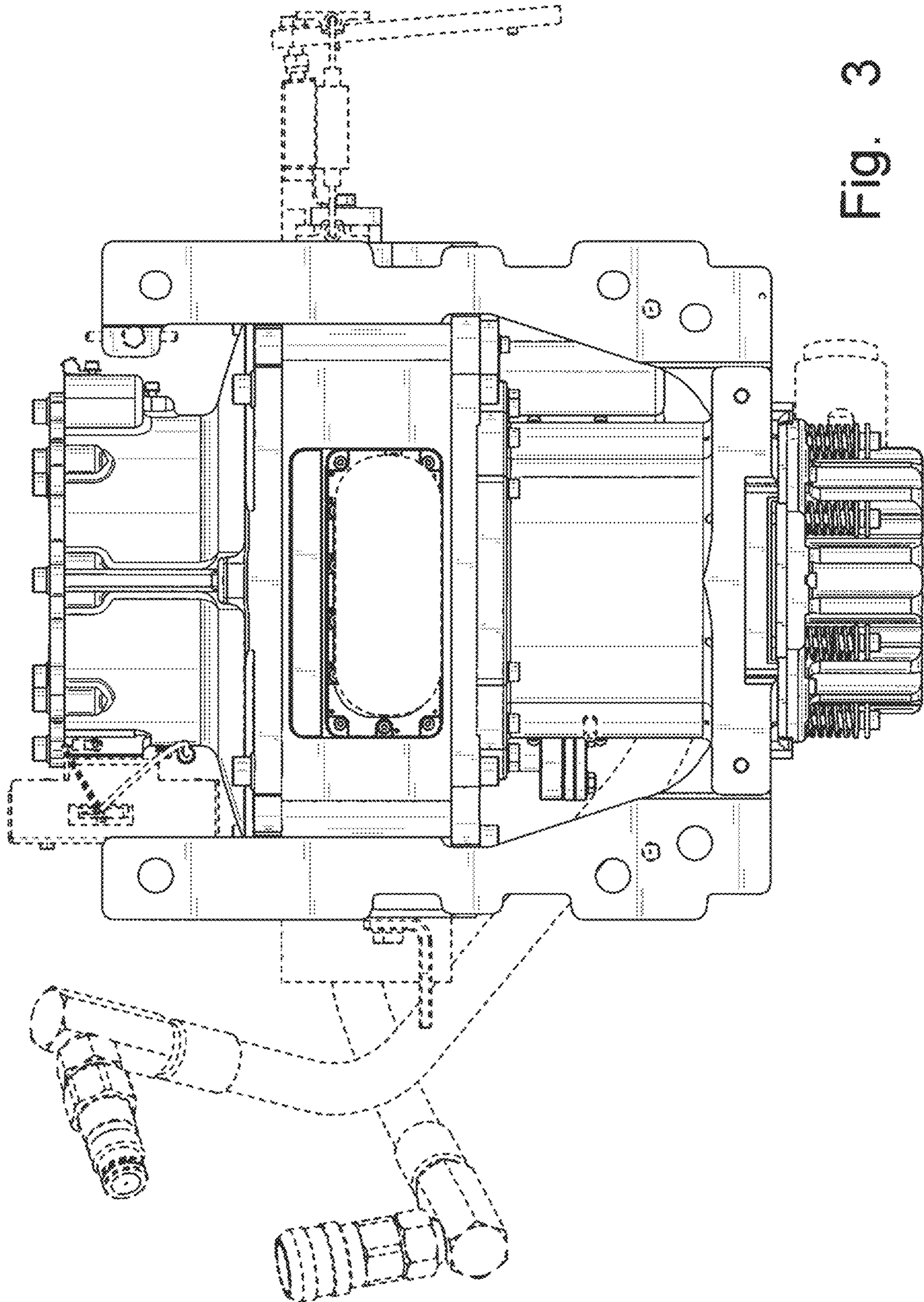


Fig. 3

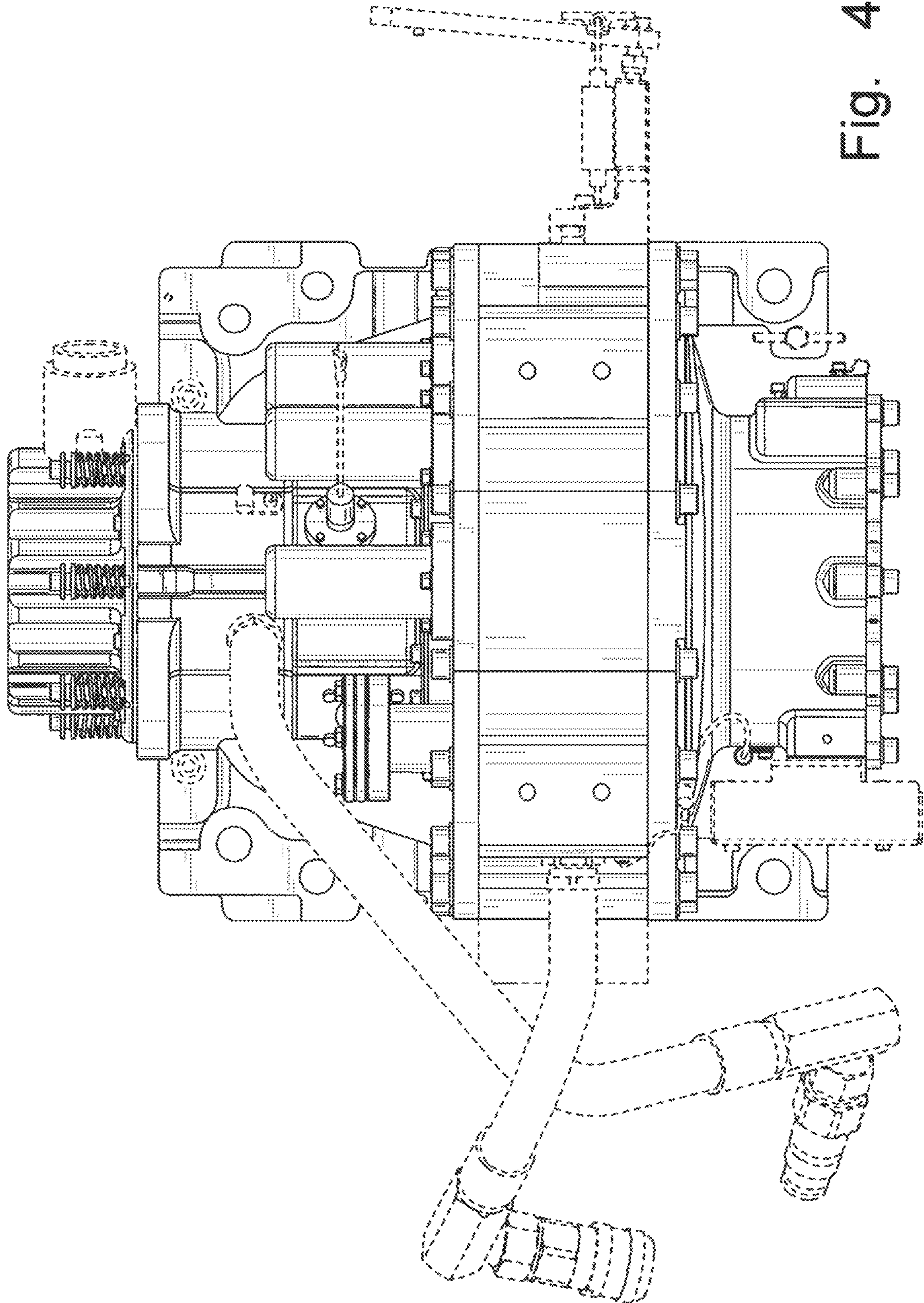


Fig. 4

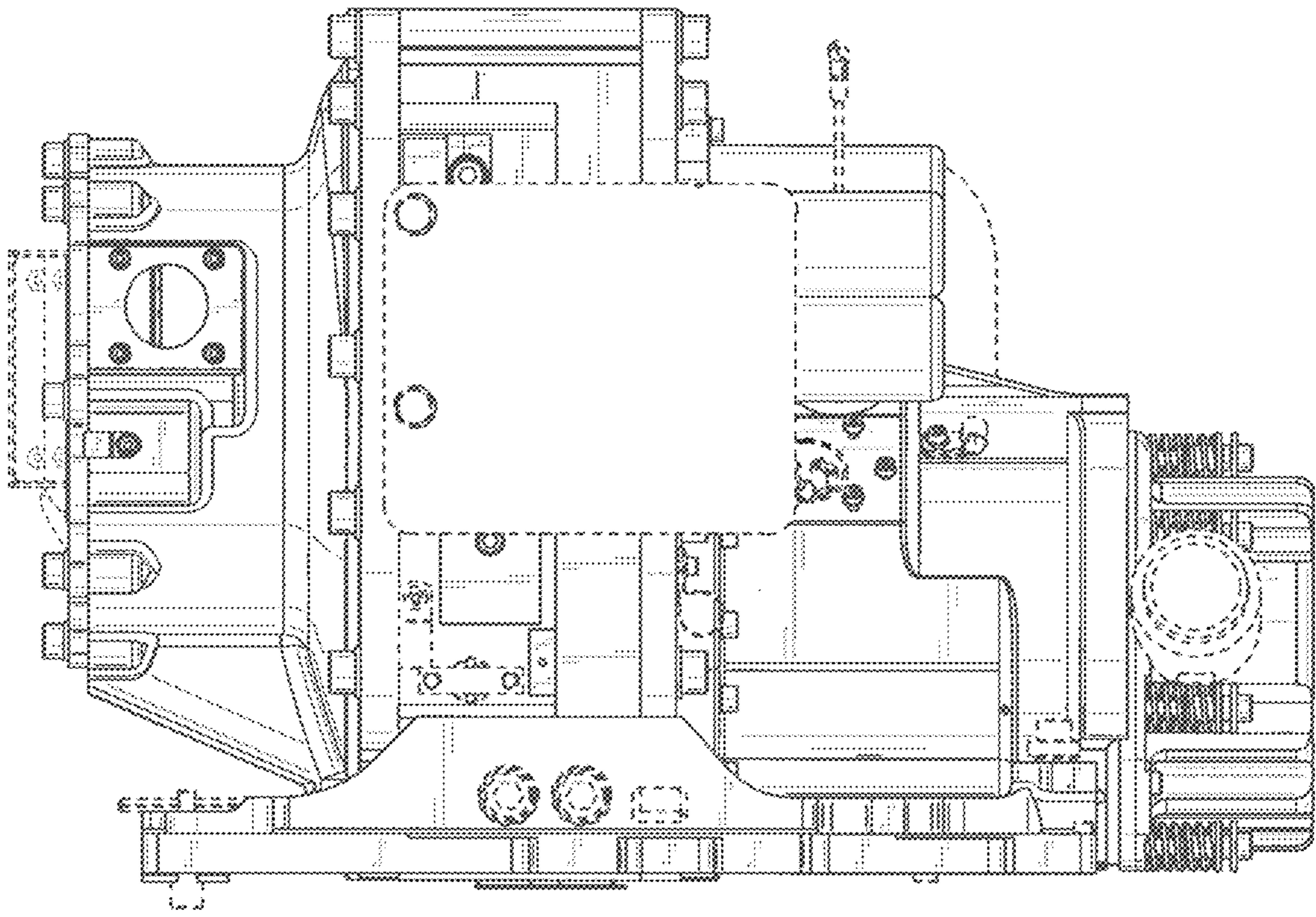


Fig. 5

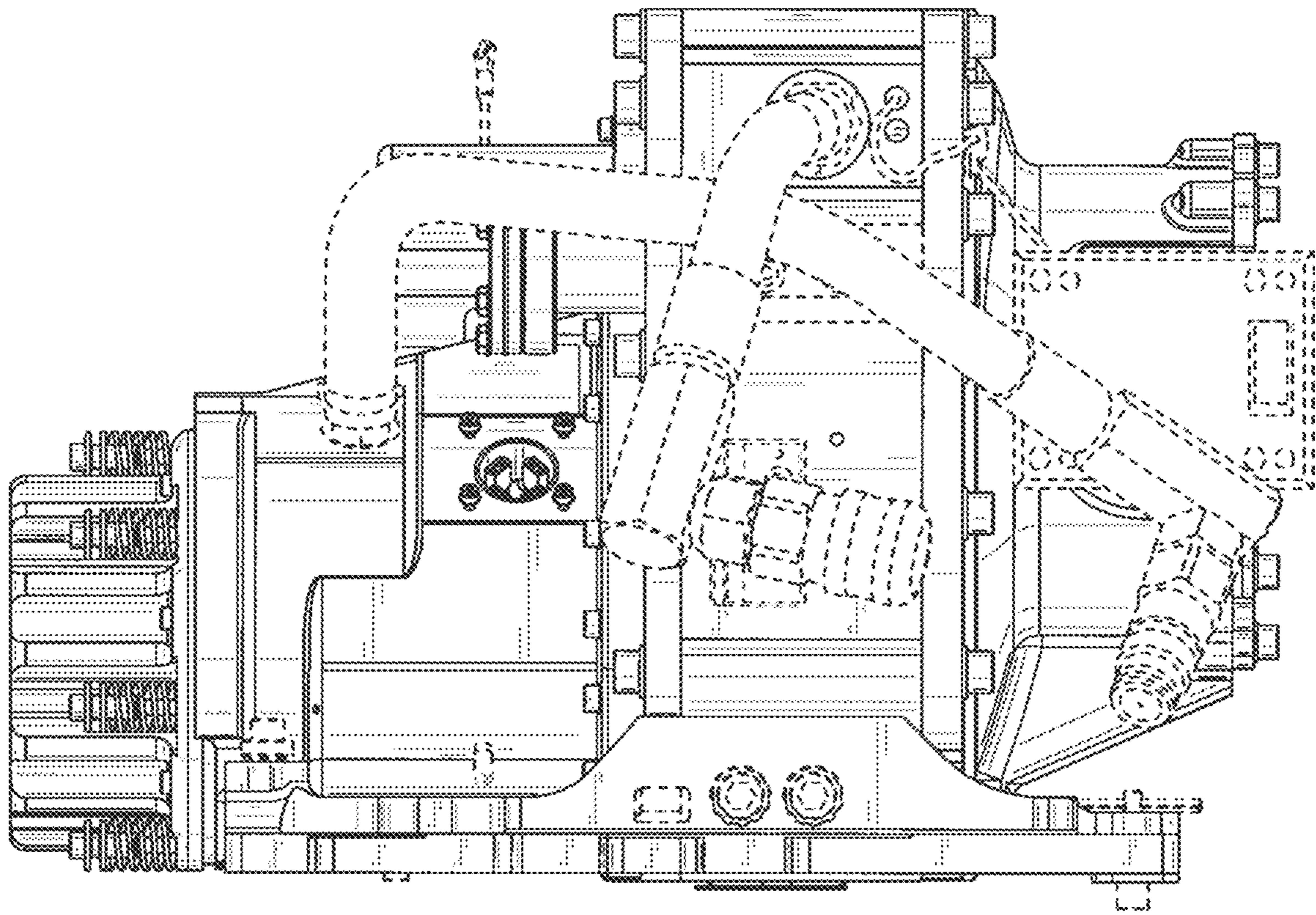


Fig. 6

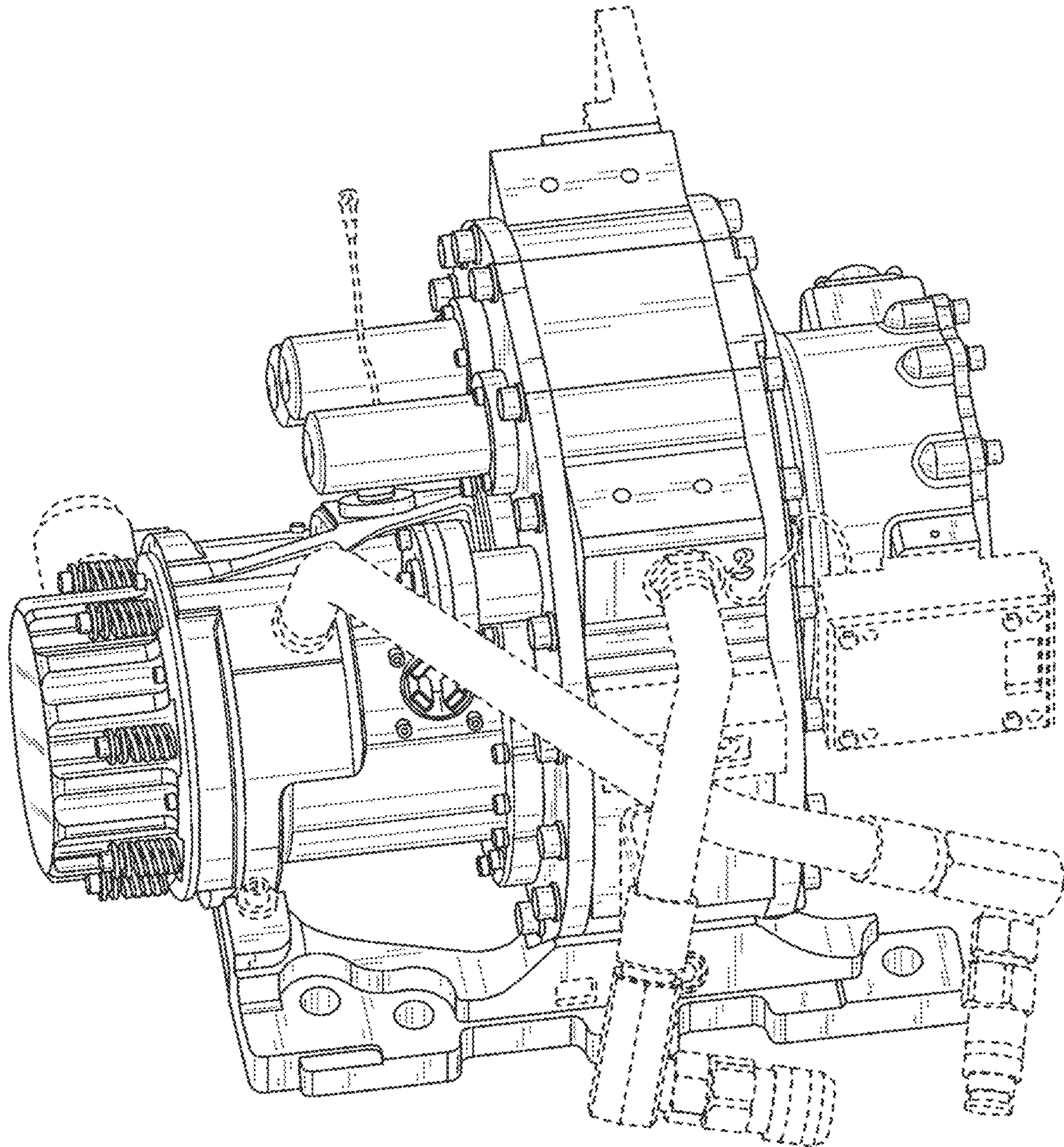


Fig. 7

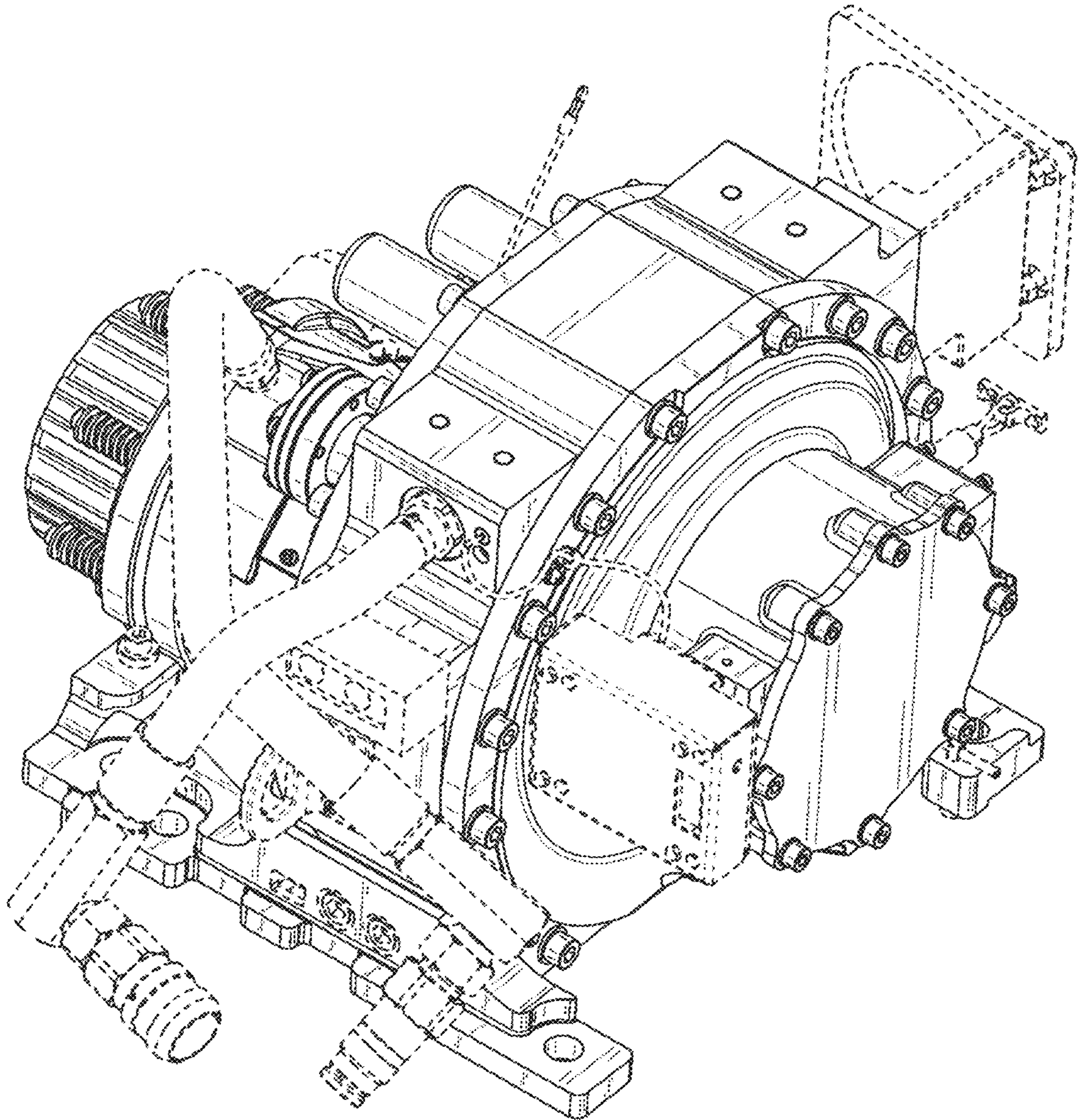


Fig. 8

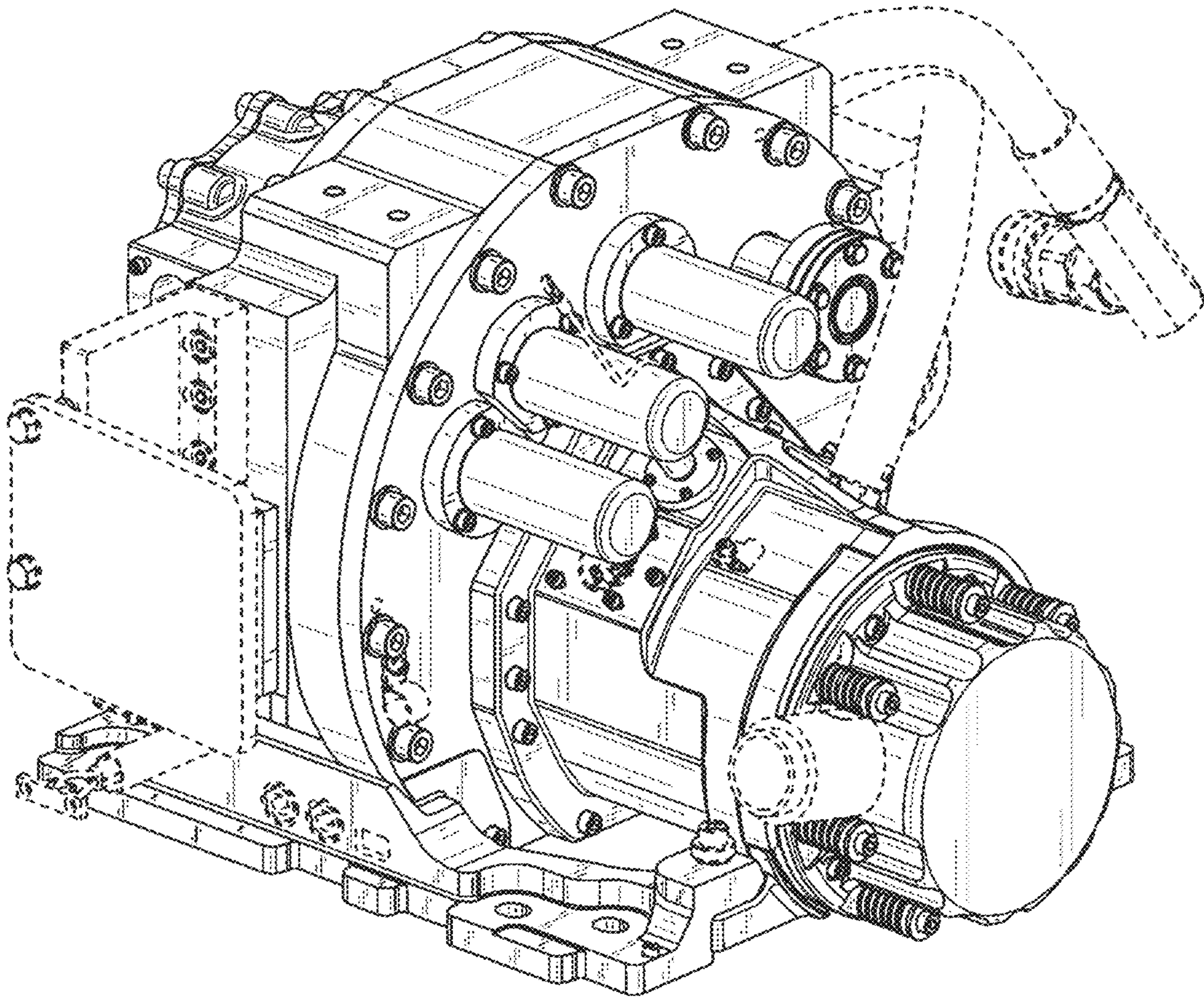


Fig. 9

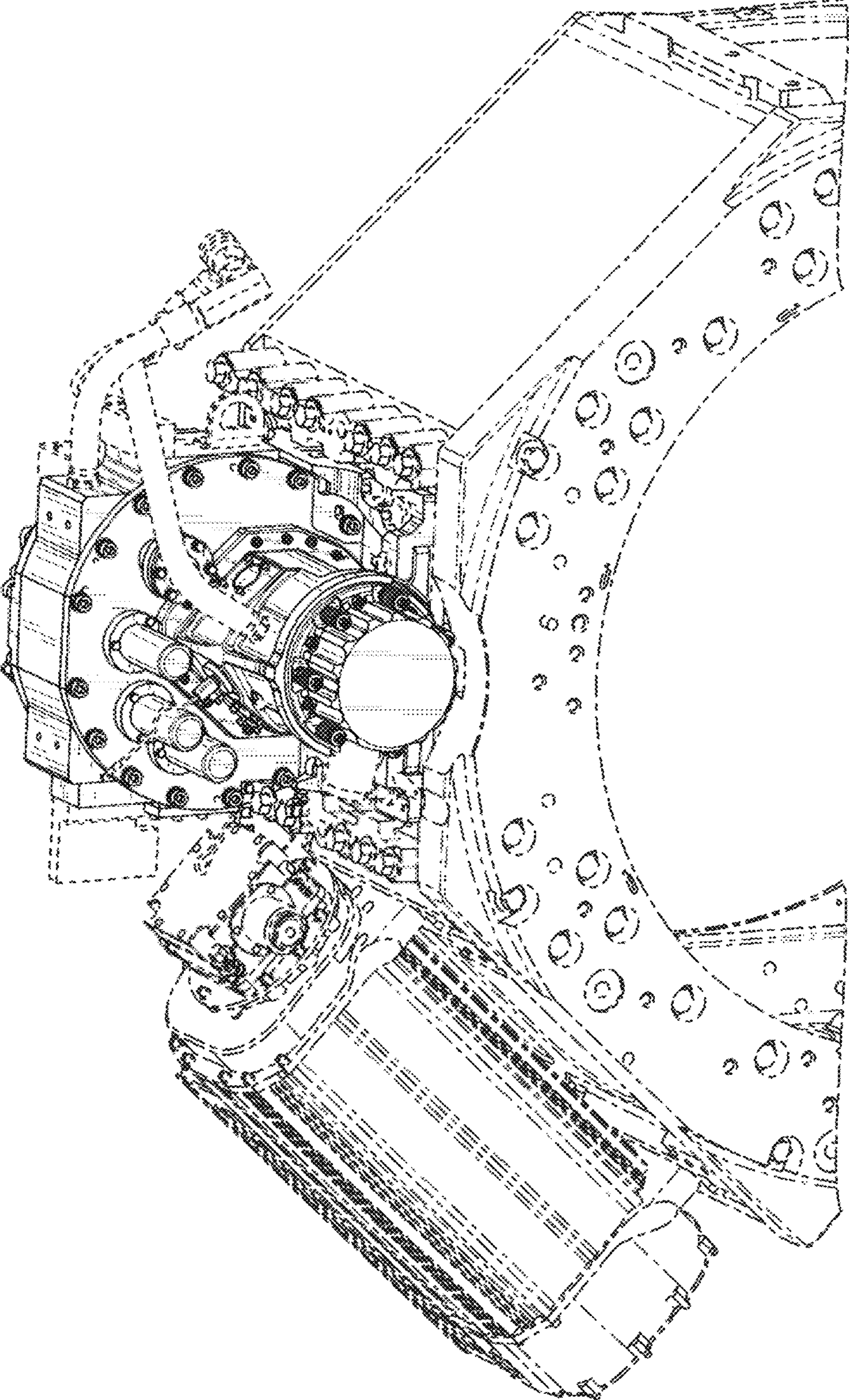


Fig. 10