



US00D875939S

(12) **United States Design Patent** (10) **Patent No.:** **US D875,939 S**  
**DaCosta et al.** (45) **Date of Patent:** **\*\* Feb. 18, 2020**

- (54) **WEDGE INSERT**
- (71) Applicant: **PARAGON 28, INC.**, Englewood, CO (US)
- (72) Inventors: **Albert DaCosta**, Lone Tree, CO (US); **Benjamin Majors**, Englewood, CO (US)
- (73) Assignee: **Paragon 28, Inc.**, Englewood, CO (US)
- (\*\*) Term: **15 Years**
- (21) Appl. No.: **29/676,075**
- (22) Filed: **Jan. 8, 2019**

6,723,097 B2	4/2004	Fraser et al.	
7,585,326 B2 *	9/2009	de Villiers	A61F 2/4455
			623/17.15
8,357,167 B2	1/2013	Errico et al.	
D691,272 S	10/2013	DaCosta et al.	
D720,456 S	12/2014	DaCosta et al.	
D720,457 S	12/2014	Bono et al.	
D767,133 S	9/2016	Gotfried	
9,585,765 B2	3/2017	Niemiec et al.	
D794,796 S	8/2017	Lin	
D813,394 S *	3/2018	DaCosta	D24/155
D814,037 S *	3/2018	DaCosta	D24/155
D814,634 S *	4/2018	DaCosta	D24/155
D832,441 S *	10/2018	Dacosta	D24/155
D841,168 S *	2/2019	DaCosta	D24/155

(Continued)

*Primary Examiner* — Charles D Hanson  
(74) *Attorney, Agent, or Firm* — Heslin Rothenberg Farley & Mesiti P.C.

**Related U.S. Application Data**

- (63) Continuation of application No. 29/642,641, filed on Mar. 30, 2018, now Pat. No. Des. 841,168, which is a continuation of application No. 29/591,167, filed on Jan. 17, 2017, now Pat. No. Des. 814,634.
- (51) **LOC (12) Cl.** ..... **24-03**
- (52) **U.S. Cl.**  
USPC ..... **D24/155**
- (58) **Field of Classification Search**  
USPC ..... D24/155  
CPC ..... A61F 2/4611; A61F 2/442; A61F 2/447; A61F 2220/0025; A61F 2310/00023; A61F 2310/00017; A61F 2002/4475; A61F 2002/30841; A61F 2002/2835; A61F 2002/30904; A61F 2002/30785; A61F 2002/443; A61F 2002/30578  
See application file for complete search history.

(56) **References Cited**

U.S. PATENT DOCUMENTS

- 4,863,477 A 9/1989 Monson
- 6,008,433 A 12/1999 Stone

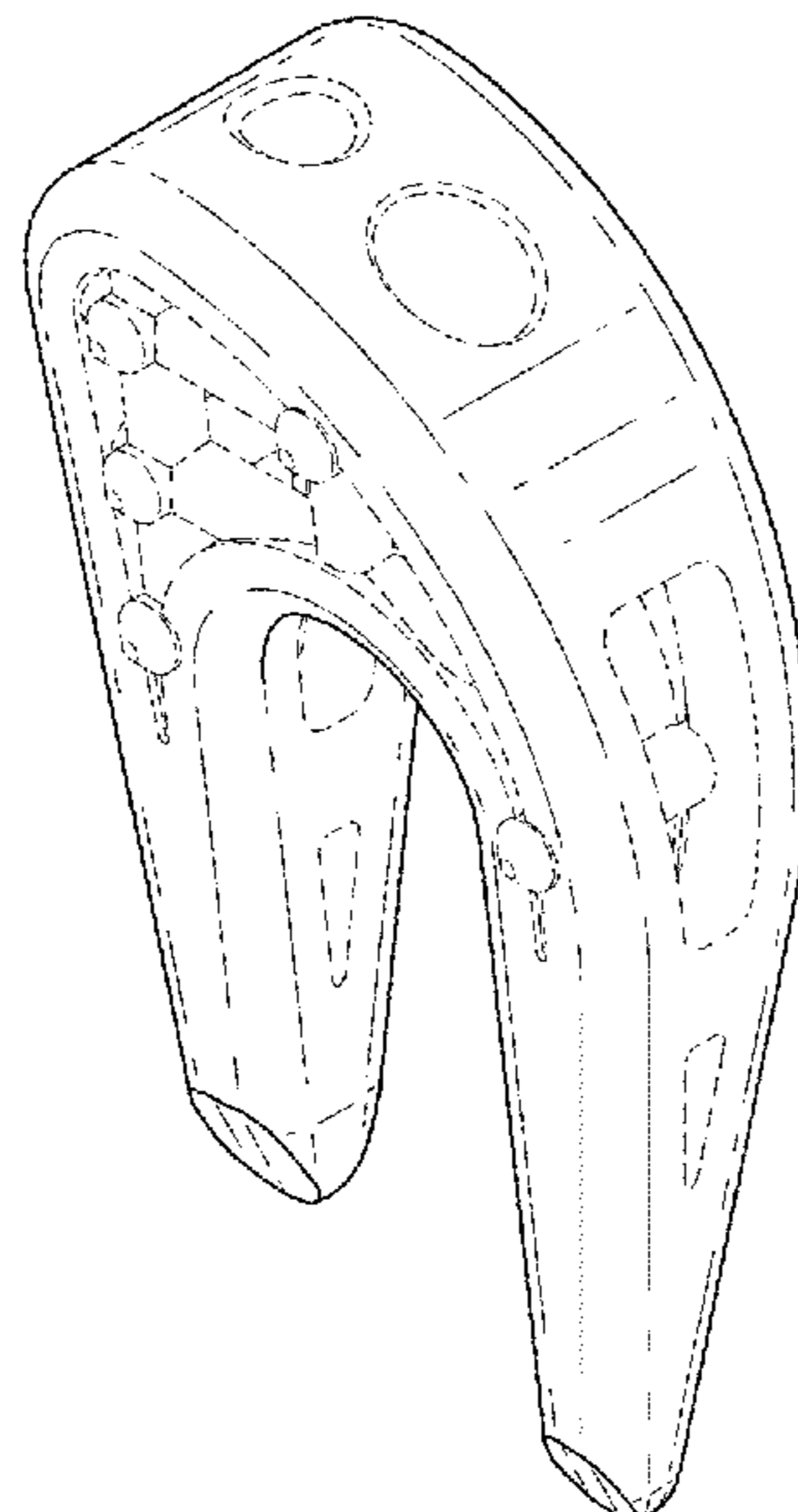
(57) **CLAIM**

The ornamental design for a wedge insert, as shown and described.

**DESCRIPTION**

FIG. 1 is a front, right perspective view of a wedge insert comprising the new design;  
 FIG. 2 is a rear, left side perspective view of the design of FIG. 1;  
 FIG. 3 is a front elevational view of the design of FIG. 1;  
 FIG. 4 is a back elevational view of the design of FIG. 1;  
 FIG. 5 is a left elevational view of the design of FIG. 1;  
 FIG. 6 is a right elevational view of the design of FIG. 1;  
 FIG. 7 is a top view of the design of FIG. 1; and,  
 FIG. 8 is a bottom view of the design of FIG. 1.  
 The broken lines in the figures are directed to the environment and are for illustrative purposes only; the broken lines form no part of the claimed design.  
 The relatively light uneven shading represent contour, not surface decoration.

**1 Claim, 3 Drawing Sheets**



(56)

**References Cited**

U.S. PATENT DOCUMENTS

D849,944 S \* 5/2019 Dacosta ..... D24/155  
2003/0105526 A1 6/2003 Bryant et al.

\* cited by examiner

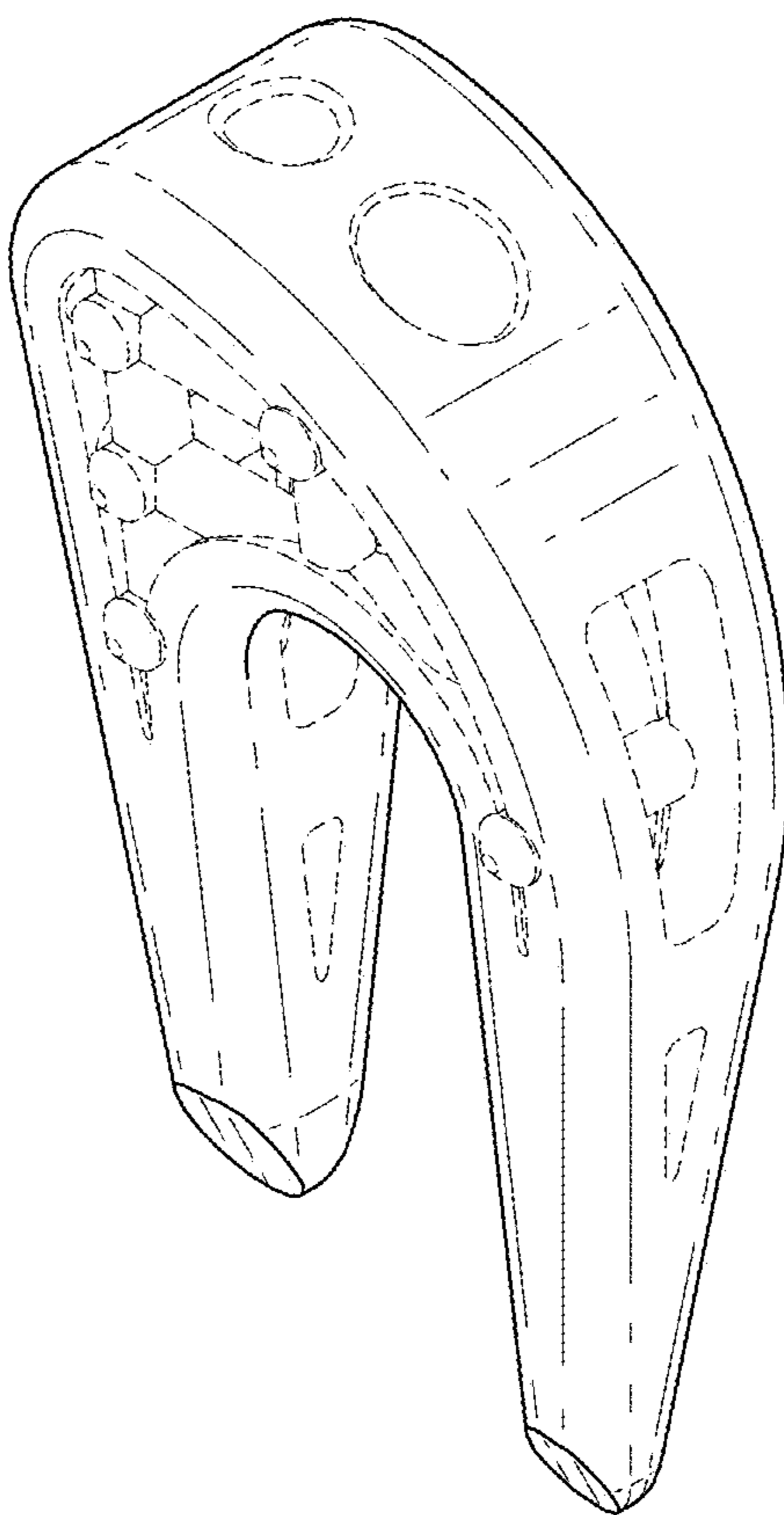


FIG. 1

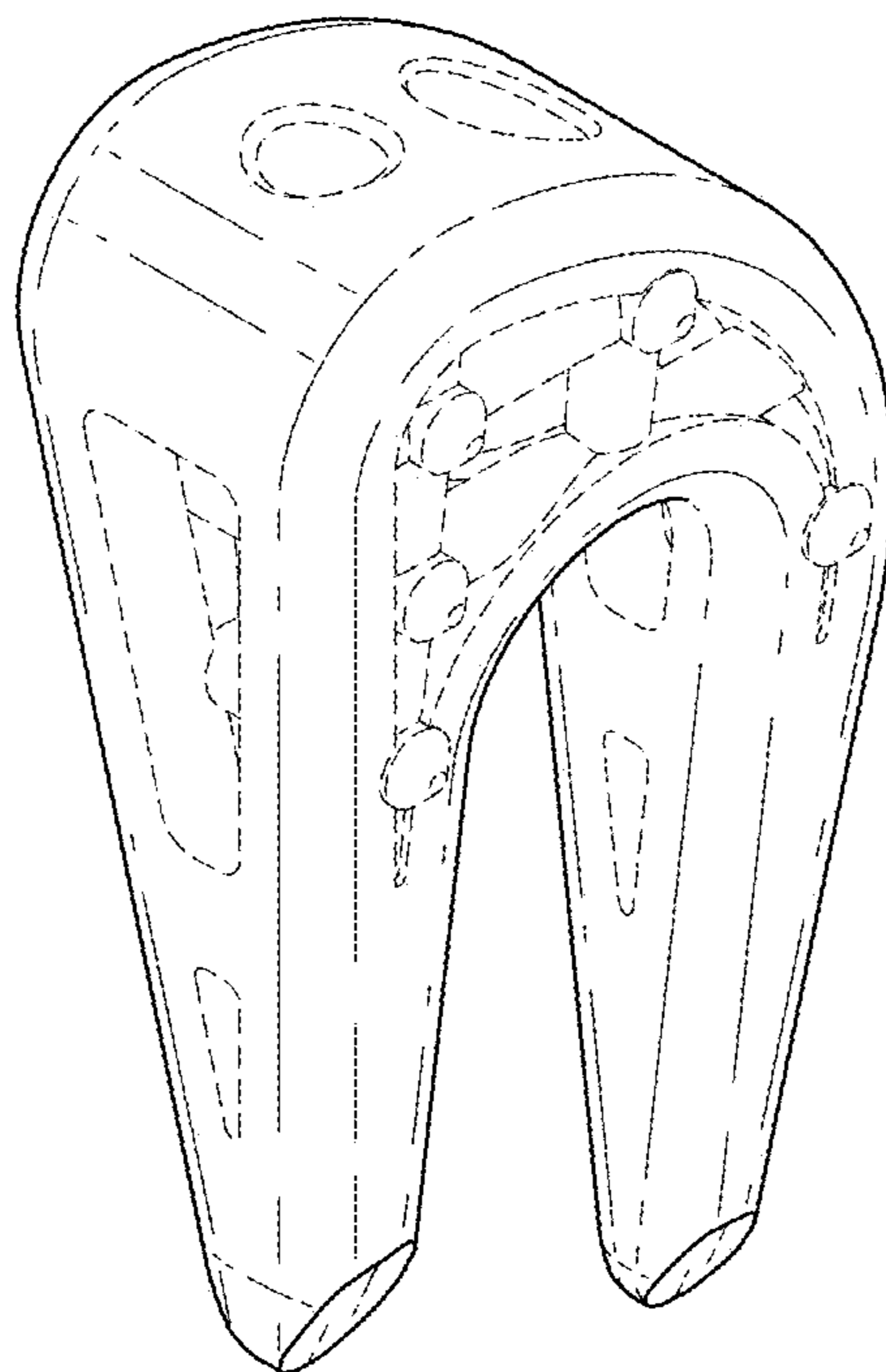


FIG. 2

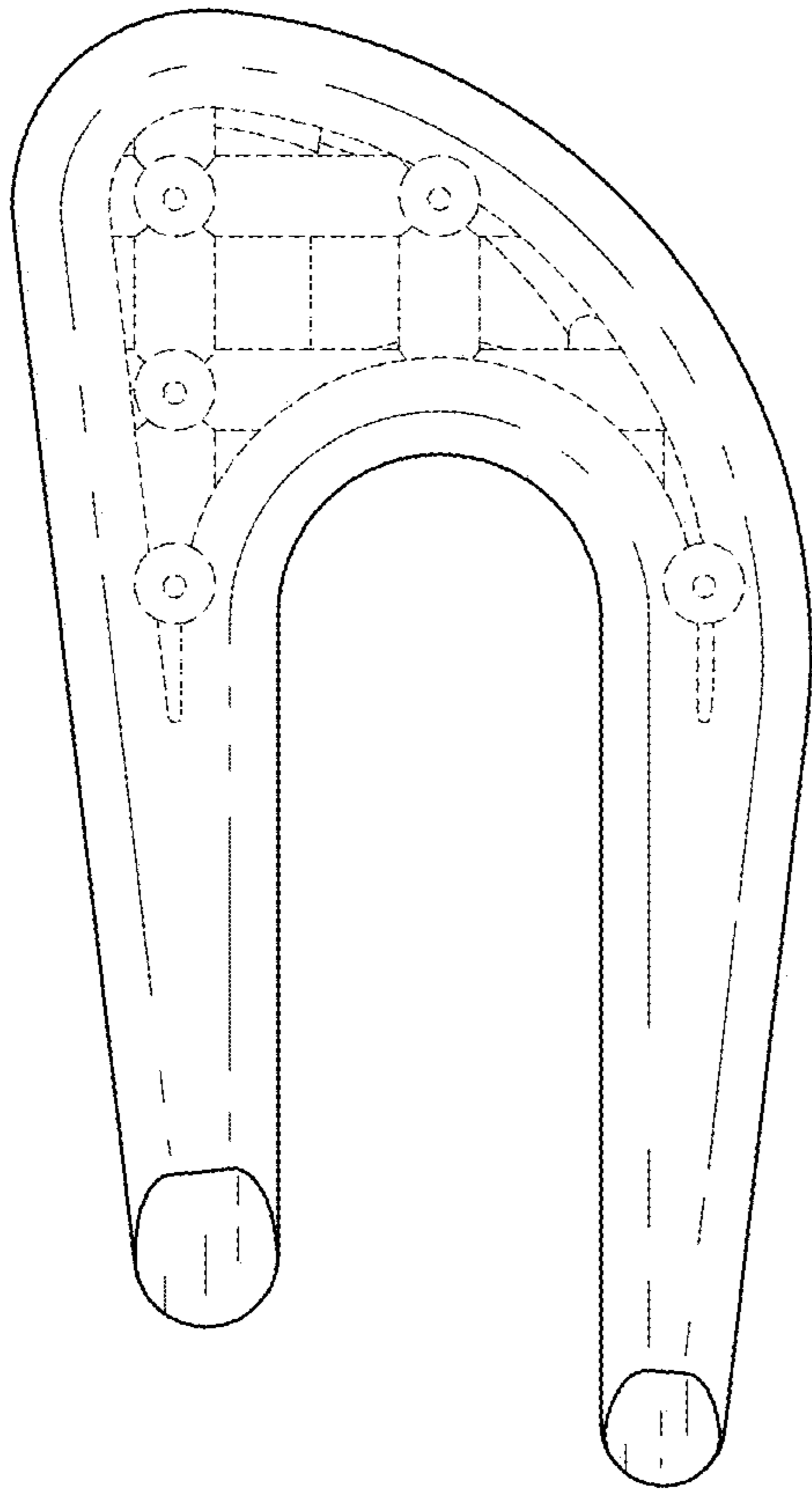


FIG. 3

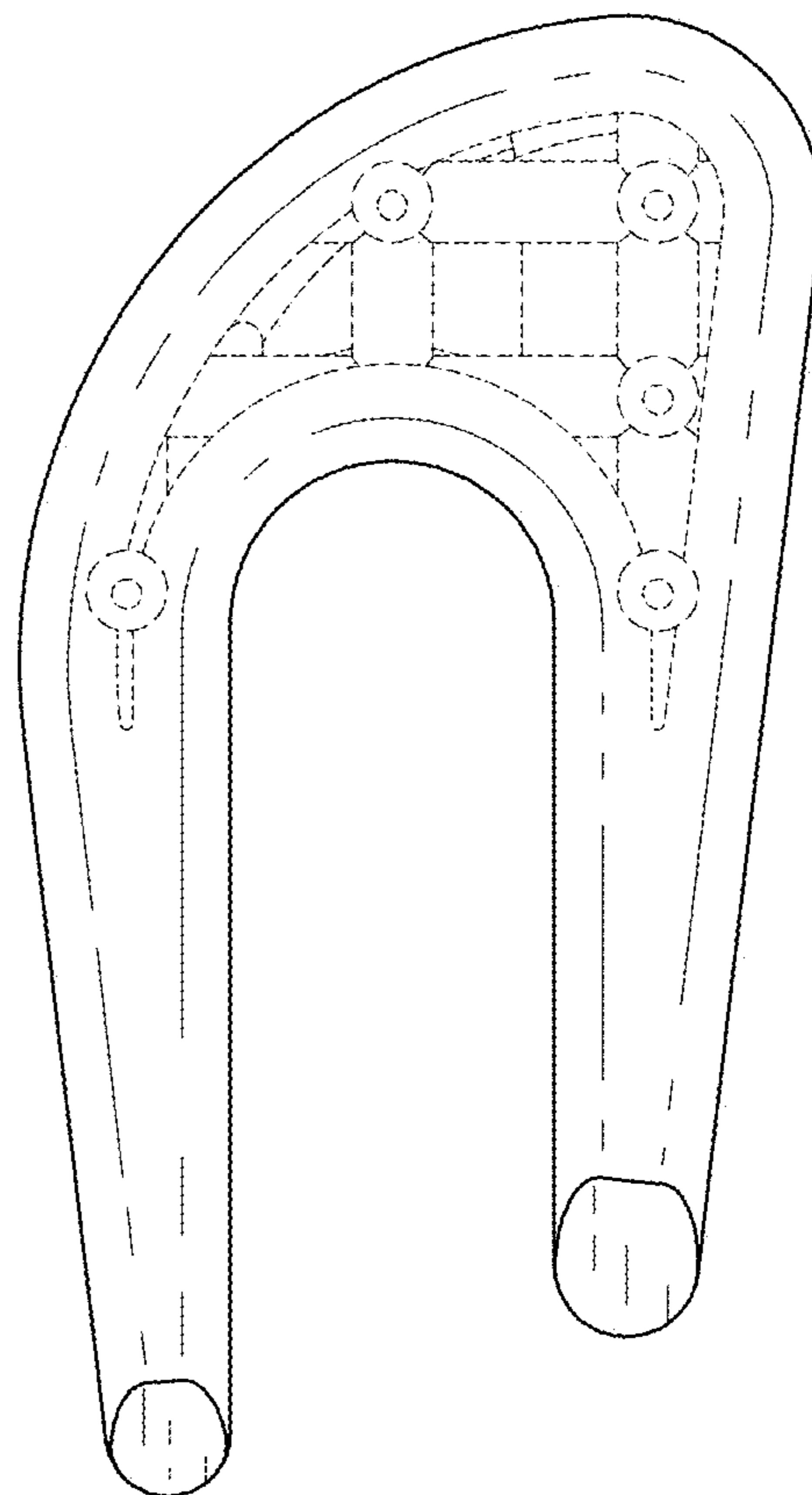


FIG. 4

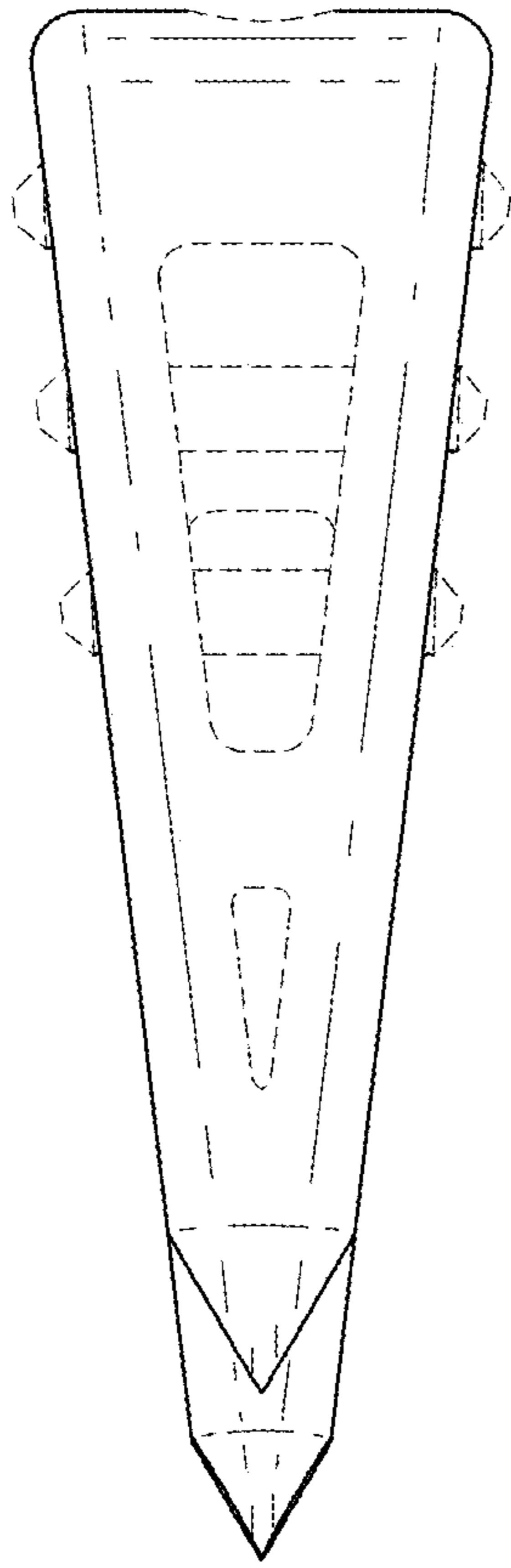


FIG. 5

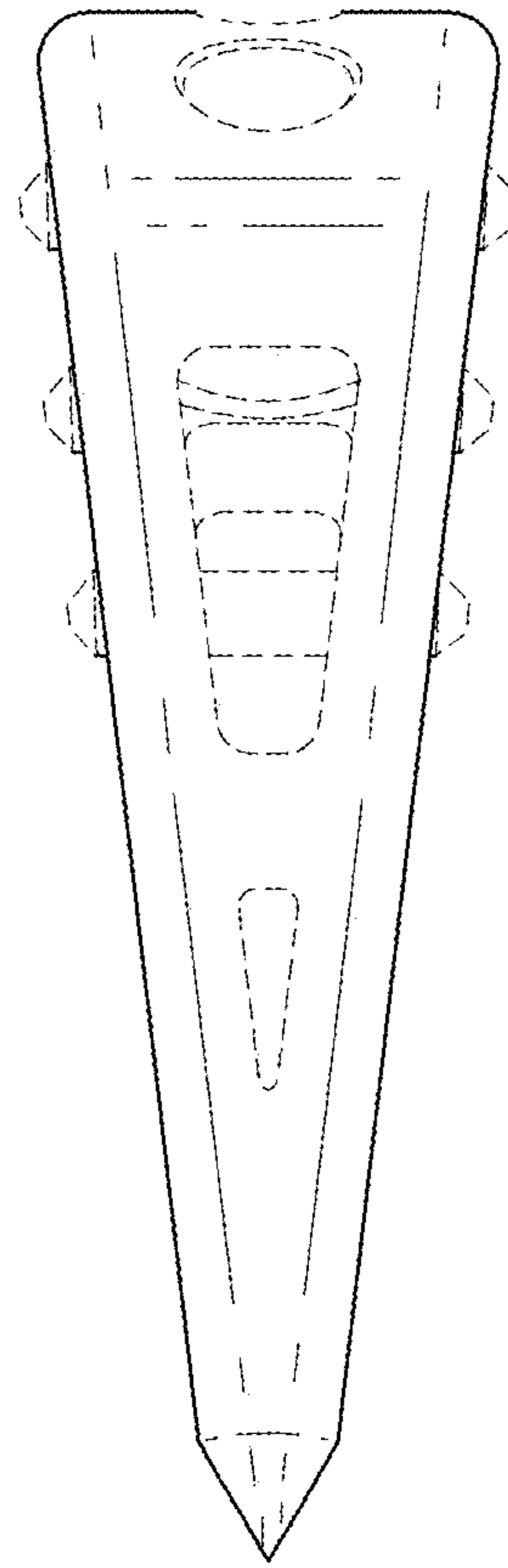


FIG. 6

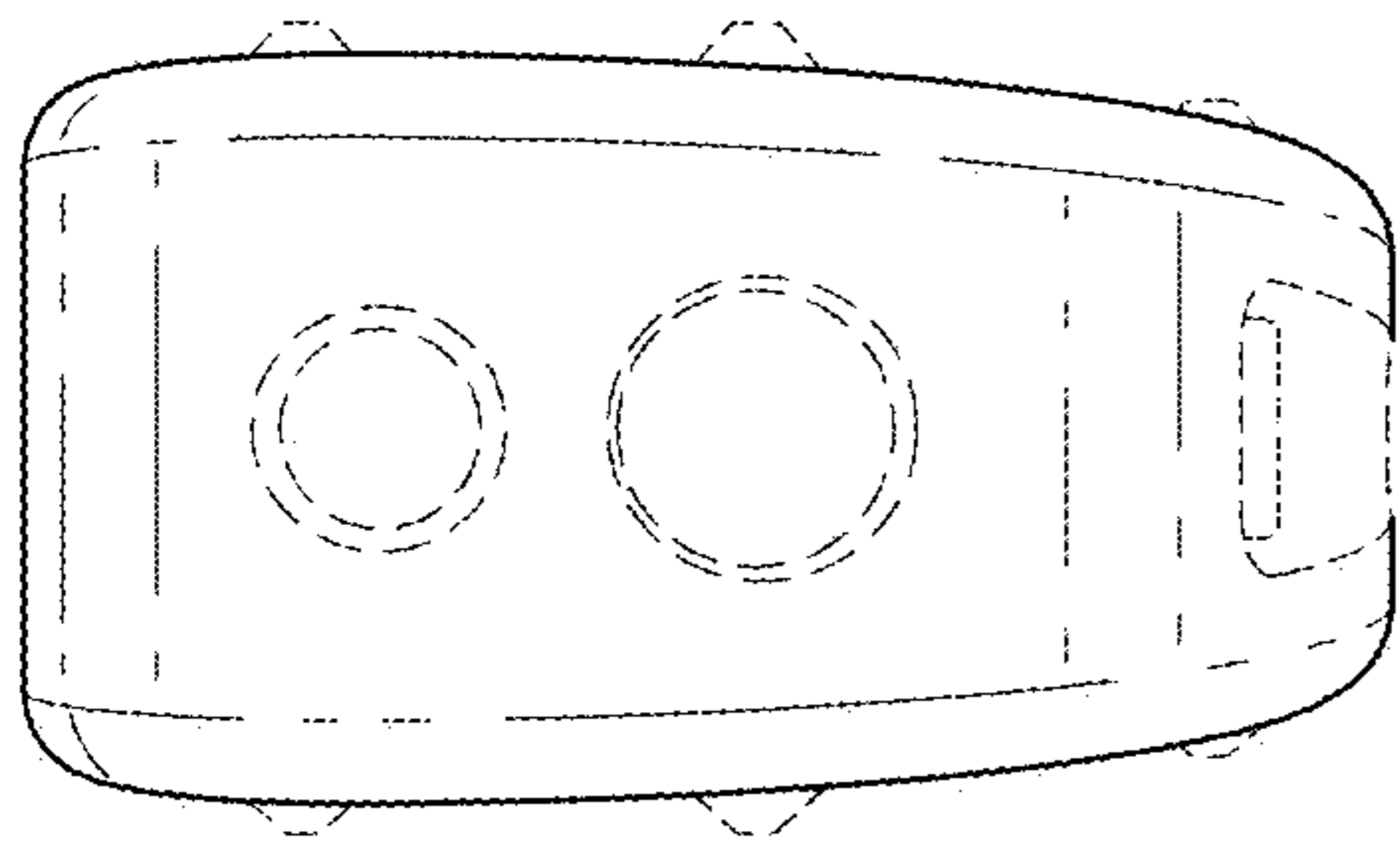


FIG. 7

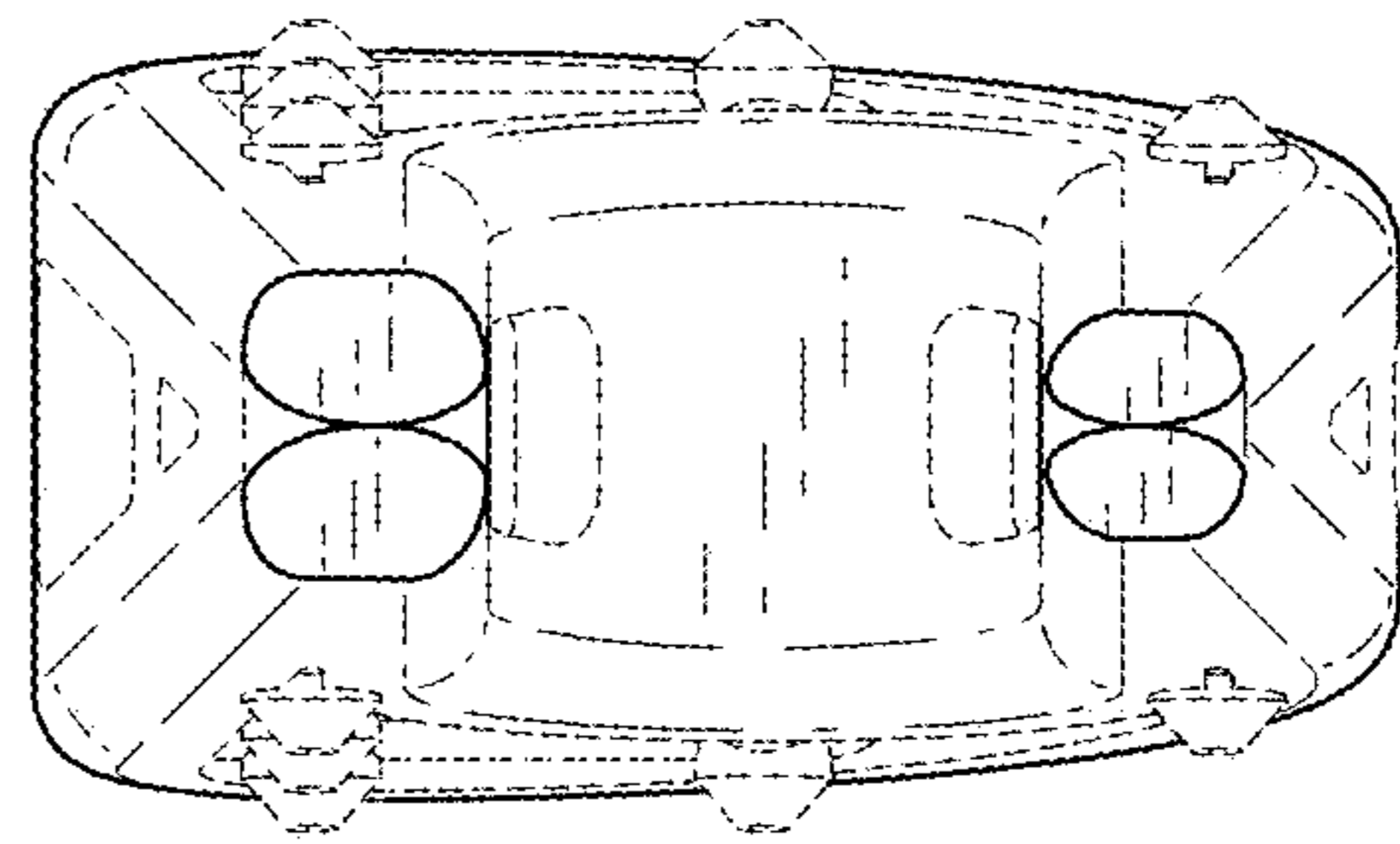


FIG. 8