



US00D875938S

(12) **United States Design Patent** (10) **Patent No.:** **US D875,938 S**  
**Serbousek et al.** (45) **Date of Patent:** **\*\* Feb. 18, 2020**

(54) **SPINAL IMPLANT**

D847,996 S \* 5/2019 Surgeon ..... D24/155  
D857,201 S \* 8/2019 Predick ..... A61F 2/4202  
D24/155  
2016/0228257 A1\* 8/2016 Predick ..... A61F 2/4202

(71) Applicant: **IN QUEUE INNOVATIONS, LLC**,  
Winona Lake, IN (US)

\* cited by examiner

(72) Inventors: **Jon C. Serbousek**, Winona Lake, IN  
(US); **Jill A. Serbousek**, Winona Lake,  
IN (US); **Richard David Fessler**,  
Winnetka, IL (US); **Jeffrey Nycz**,  
Warsaw, IN (US)

*Primary Examiner* — Charles D Hanson  
(74) *Attorney, Agent, or Firm* — Heslin Rothenberg  
Farley & Mesiti P.C.

(73) Assignee: **IN QUEUE INNOVATIONS, LLC**,  
Winona Lake, IN (US)

(57) **CLAIM**

(\*\*) Term: **15 Years**

The ornamental design for a spinal implant, as shown and  
described.

(21) Appl. No.: **29/659,073**

**DESCRIPTION**

(22) Filed: **Aug. 6, 2018**

(51) **LOC (12) Cl.** ..... **24-03**

(52) **U.S. Cl.**  
USPC ..... **D24/155**

(58) **Field of Classification Search**  
USPC ..... D24/155  
CPC ..... A61F 2/4611; A61F 2/442; A61F 2/447;  
A61F 2220/0025; A61F 2310/00023;  
A61F 2310/00017; A61F 2002/4475;  
A61F 2002/30841; A61F 2002/2835;  
A61F 2002/30904; A61F 2002/30785;  
A61F 2002/443; A61F 2002/30578  
See application file for complete search history.

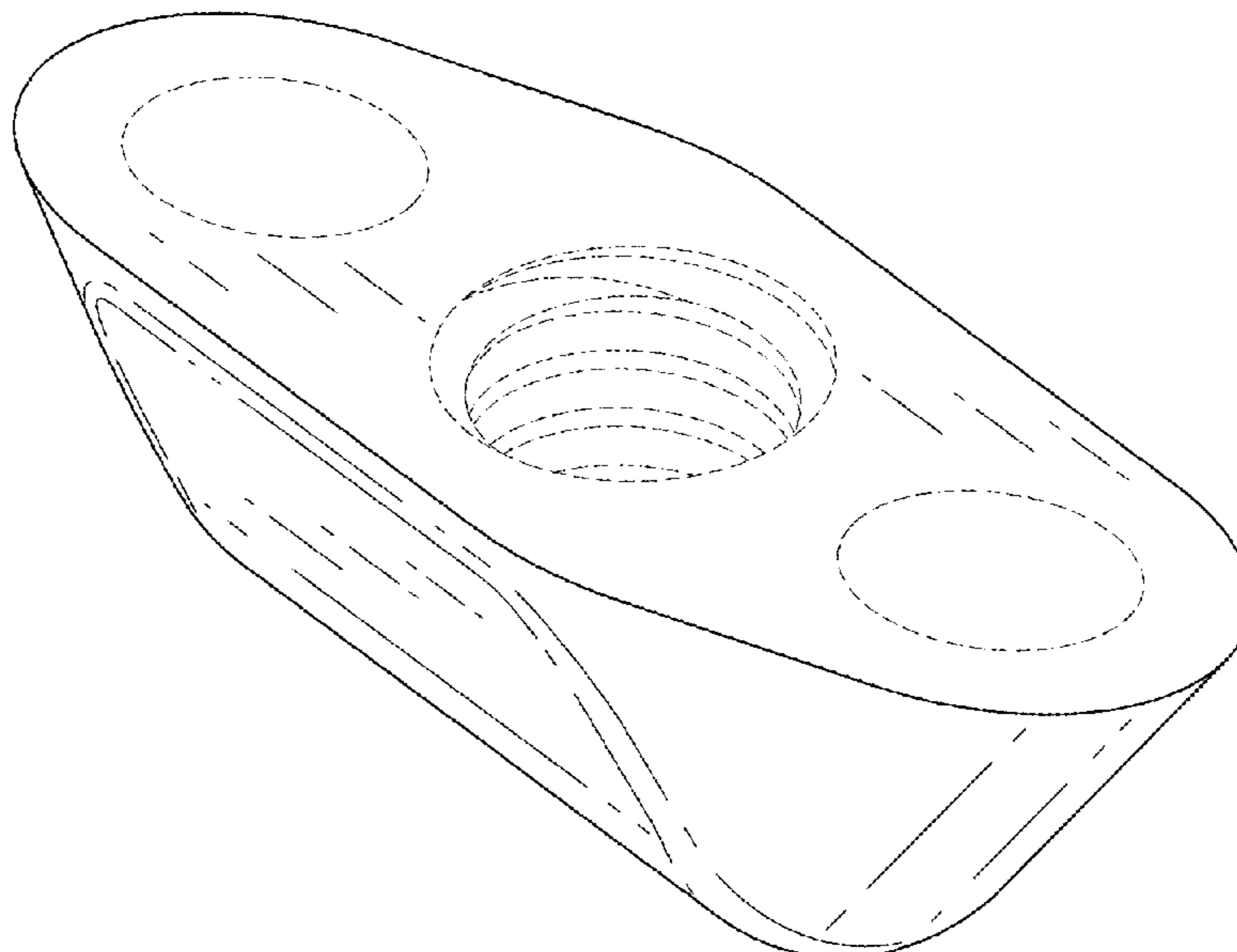
FIG. 1 is a top, front perspective view of the spinal implant  
comprising the new design;  
FIG. 2 is a bottom, back perspective view of the design of  
FIG. 1;  
FIG. 3 is a front elevational view of the design of FIG. 1;  
FIG. 4 is a back elevational view of the design of FIG. 1;  
FIG. 5 is a left side elevational view of the design of FIG.  
1;  
FIG. 6 is a right side elevational view of the design of FIG.  
1;  
FIG. 7 is a top view of the design of FIG. 1;  
FIG. 8 is a bottom view of the design of FIG. 1; and,  
FIG. 9 is a top, front perspective view of the spinal implant  
of FIG. 1 with inserted bone connectors and a set screw  
shown in phantom for illustrative purposes.  
The broken lines shown in the figures are directed to the  
environment and are for illustrative purposes only; the  
broken lines form no part of the claimed spinal implant  
invention.  
The relatively light uneven broken lines shown in the figures  
represent contour, not surface decoration.

(56) **References Cited**

**U.S. PATENT DOCUMENTS**

D664,252 S \* 7/2012 Weiland ..... D24/155  
D733,303 S \* 6/2015 Peterson ..... A61F 2/4465  
D24/155  
D767,133 S \* 9/2016 Gotfried ..... D24/155  
D789,540 S \* 6/2017 Gyorgy ..... D24/155  
D819,209 S \* 5/2018 DaCosta ..... D24/155

**1 Claim, 6 Drawing Sheets**



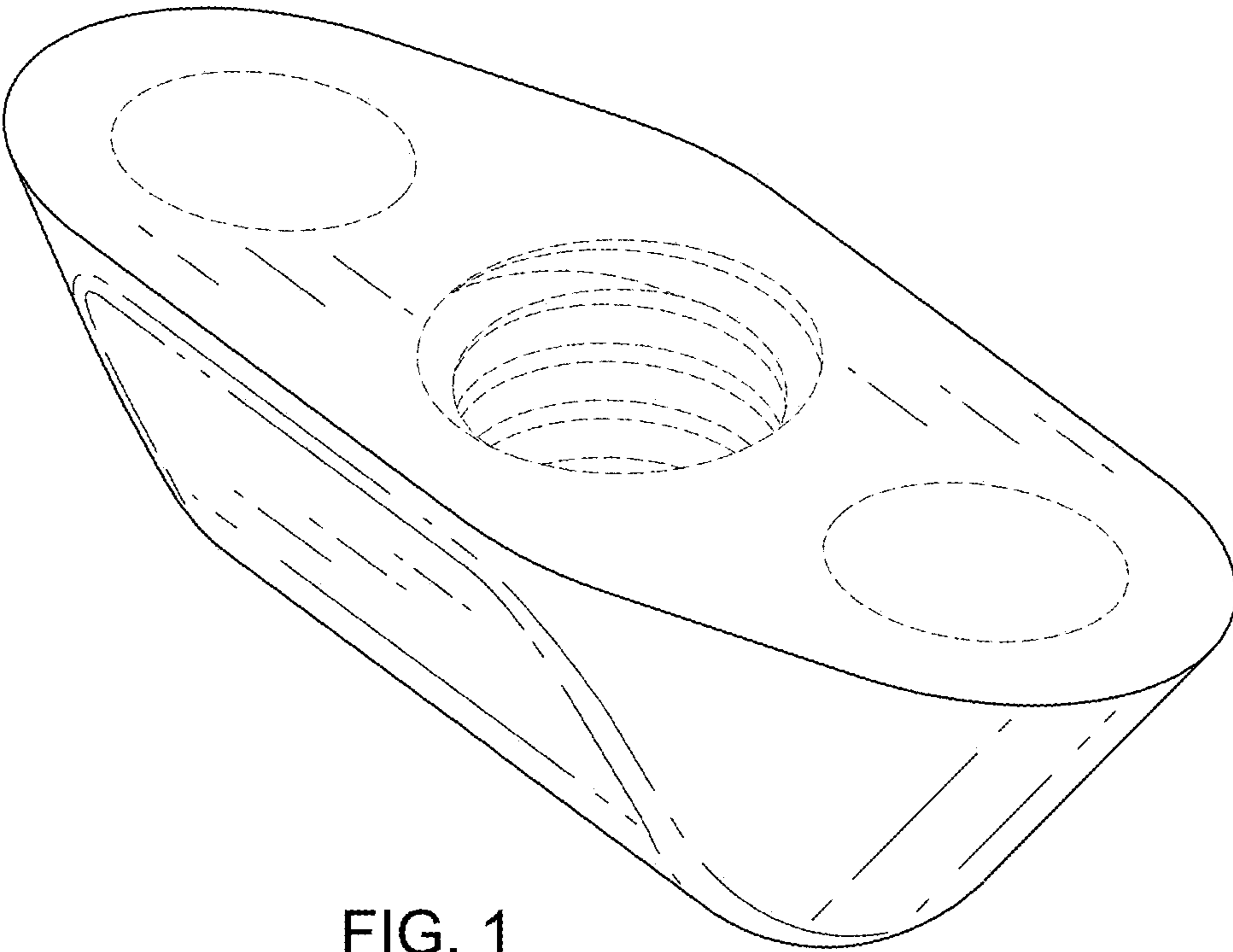


FIG. 1

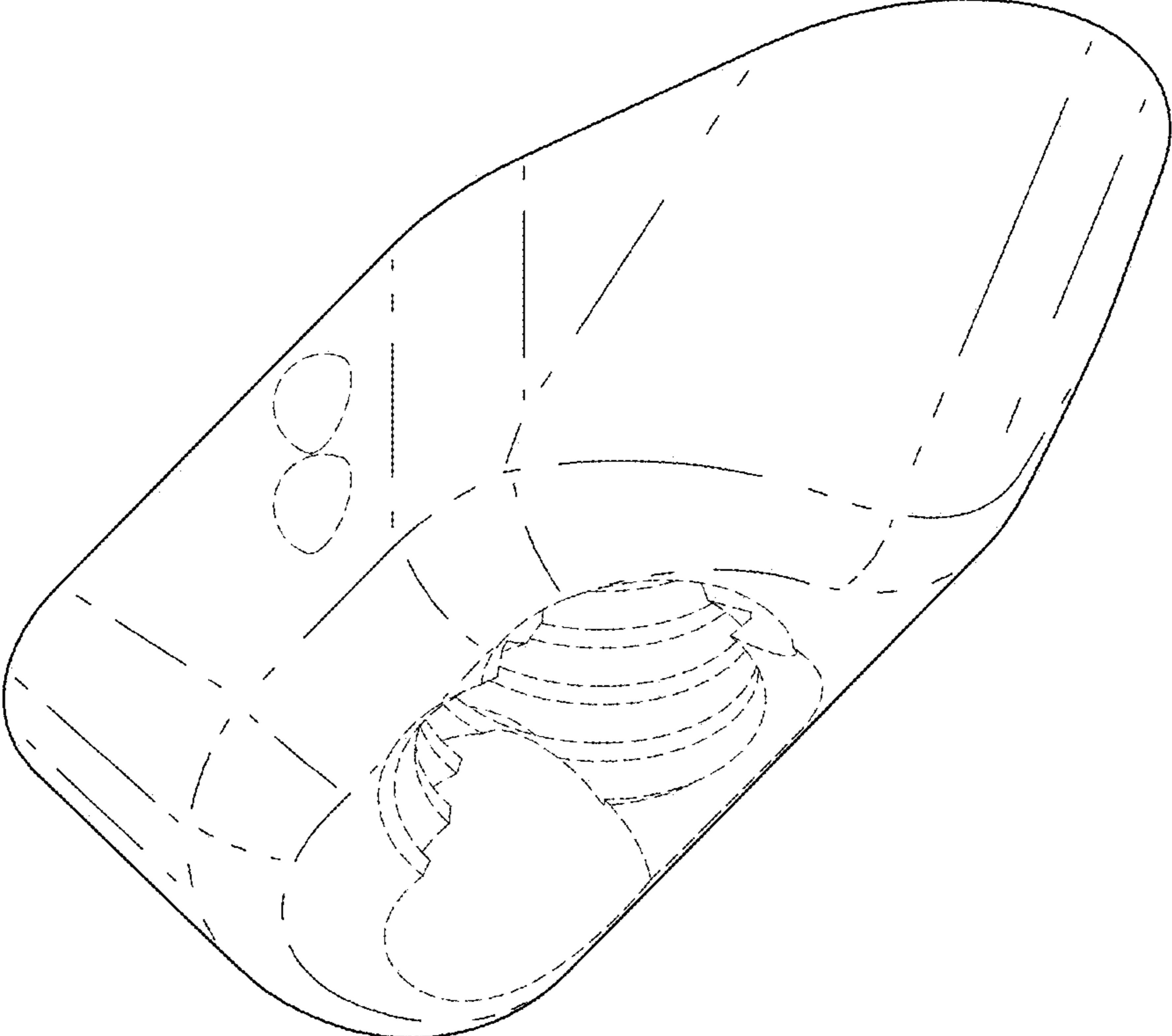


FIG. 2

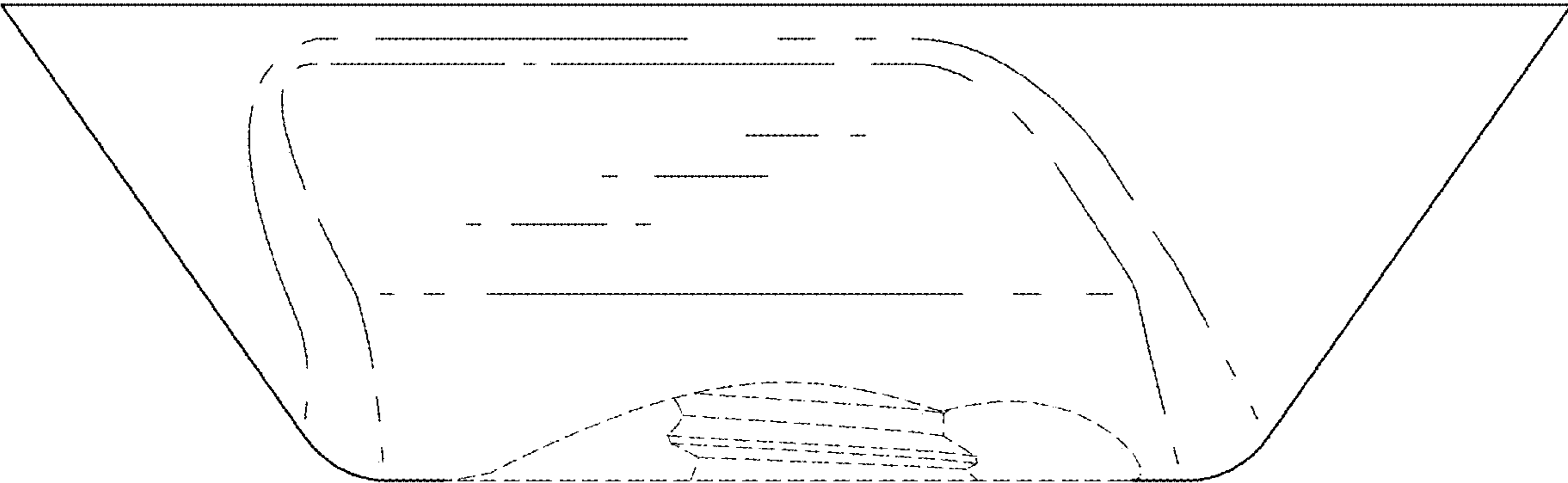


FIG. 3

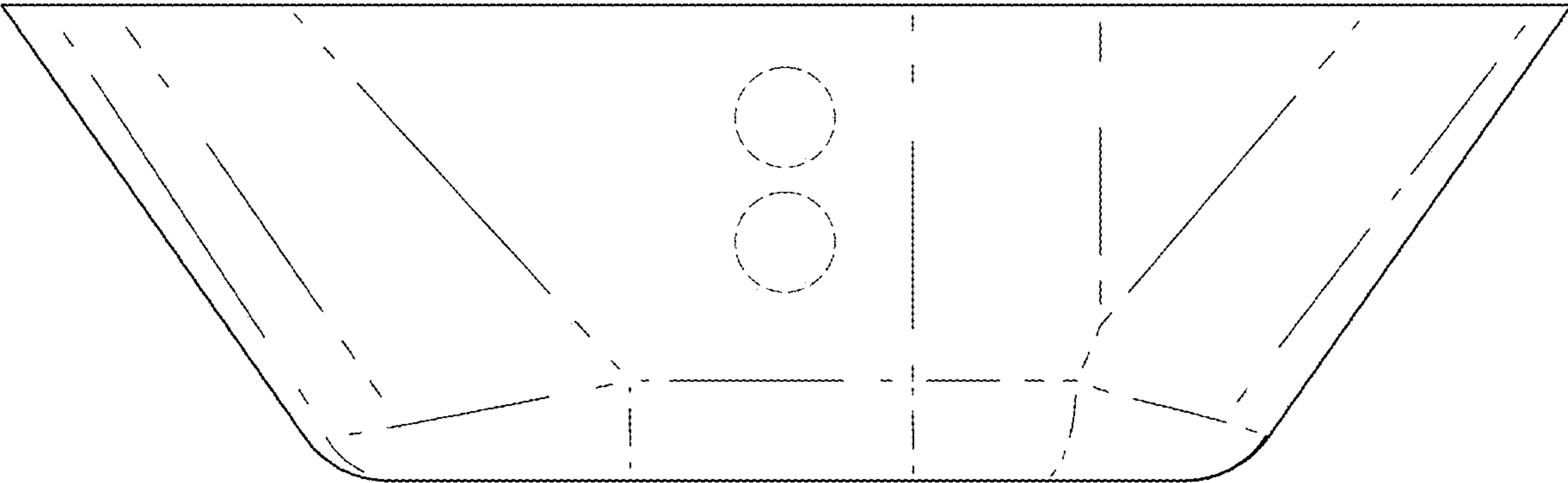


FIG. 4

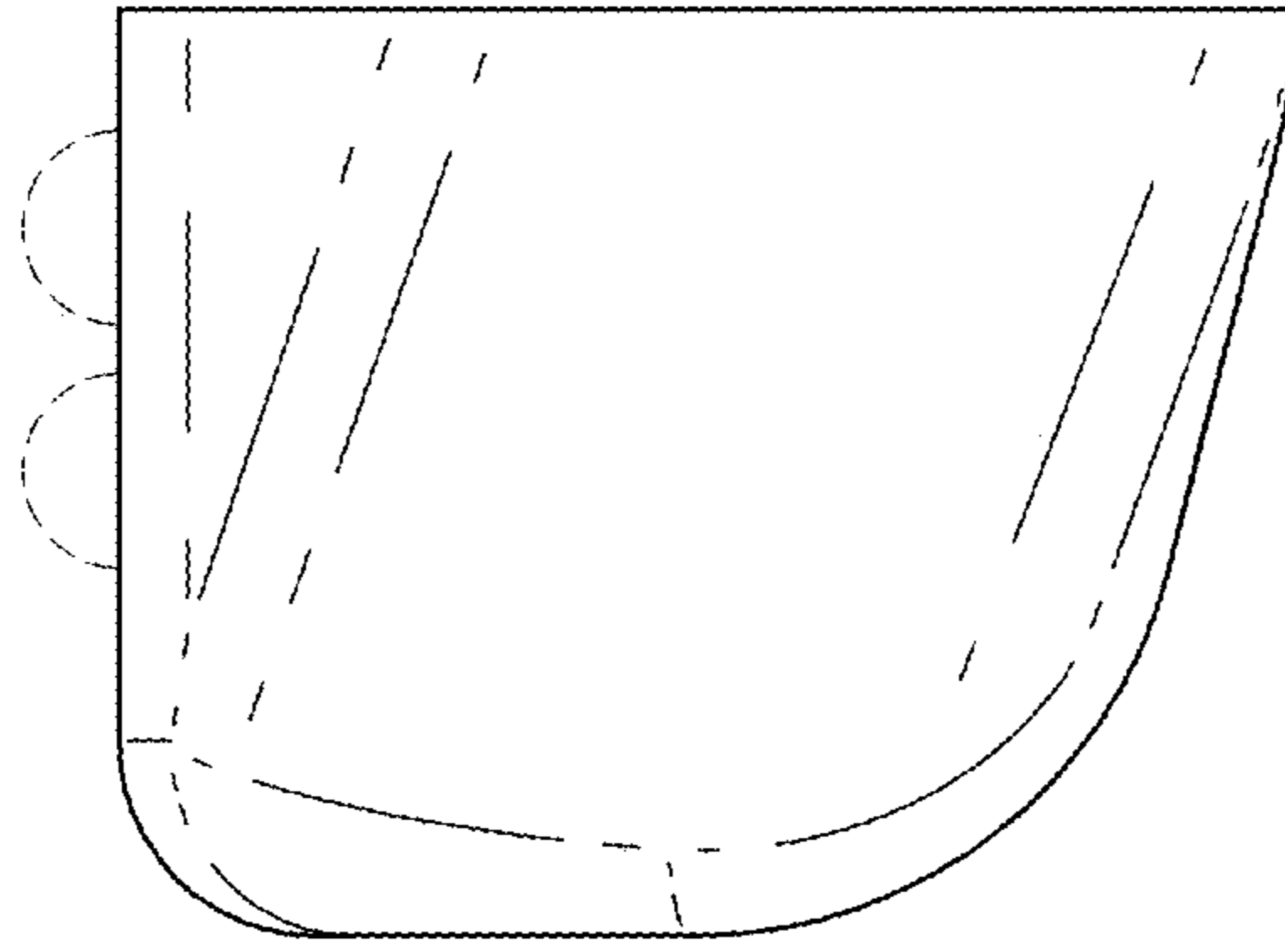


FIG. 5

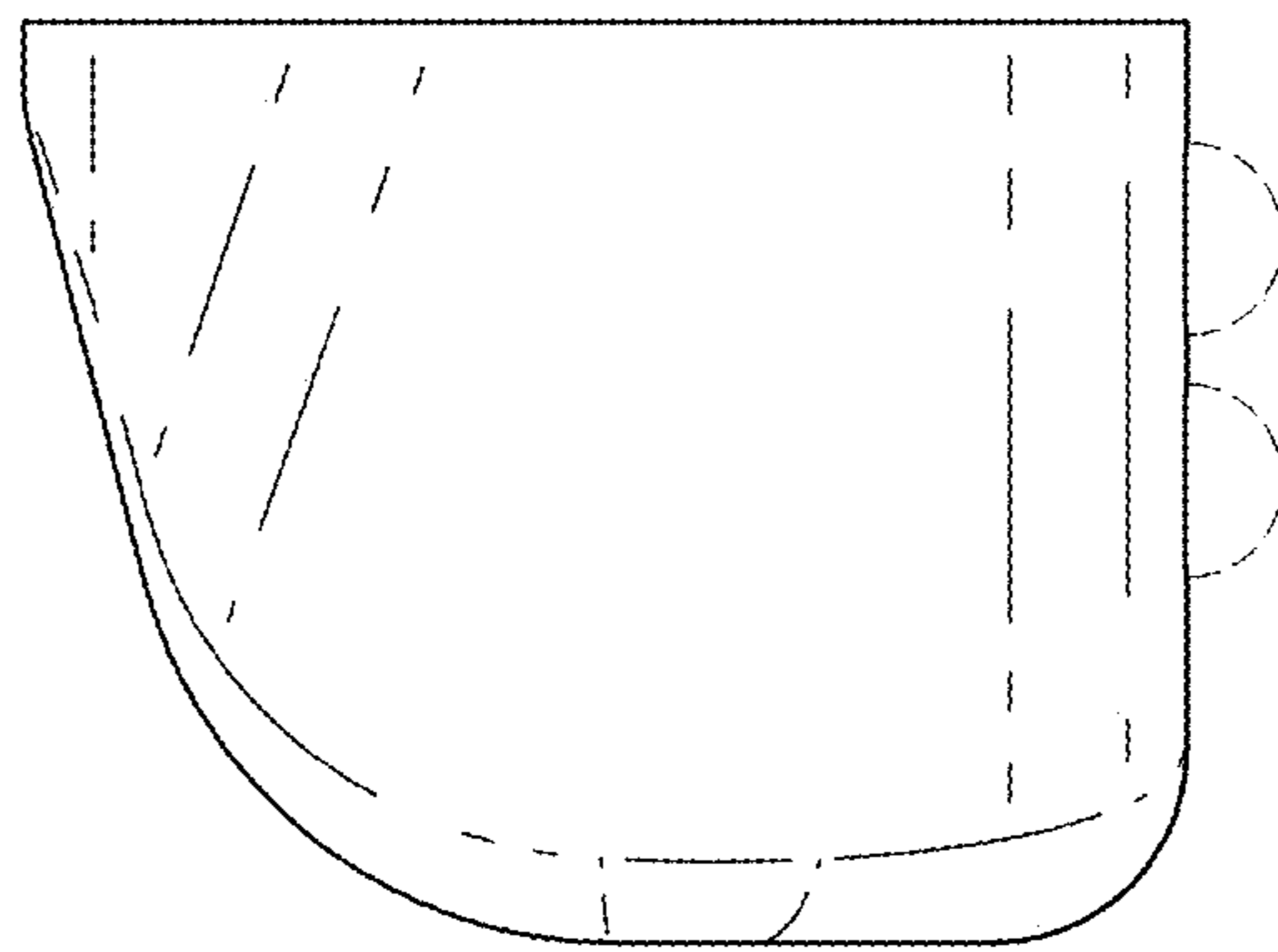


FIG. 6

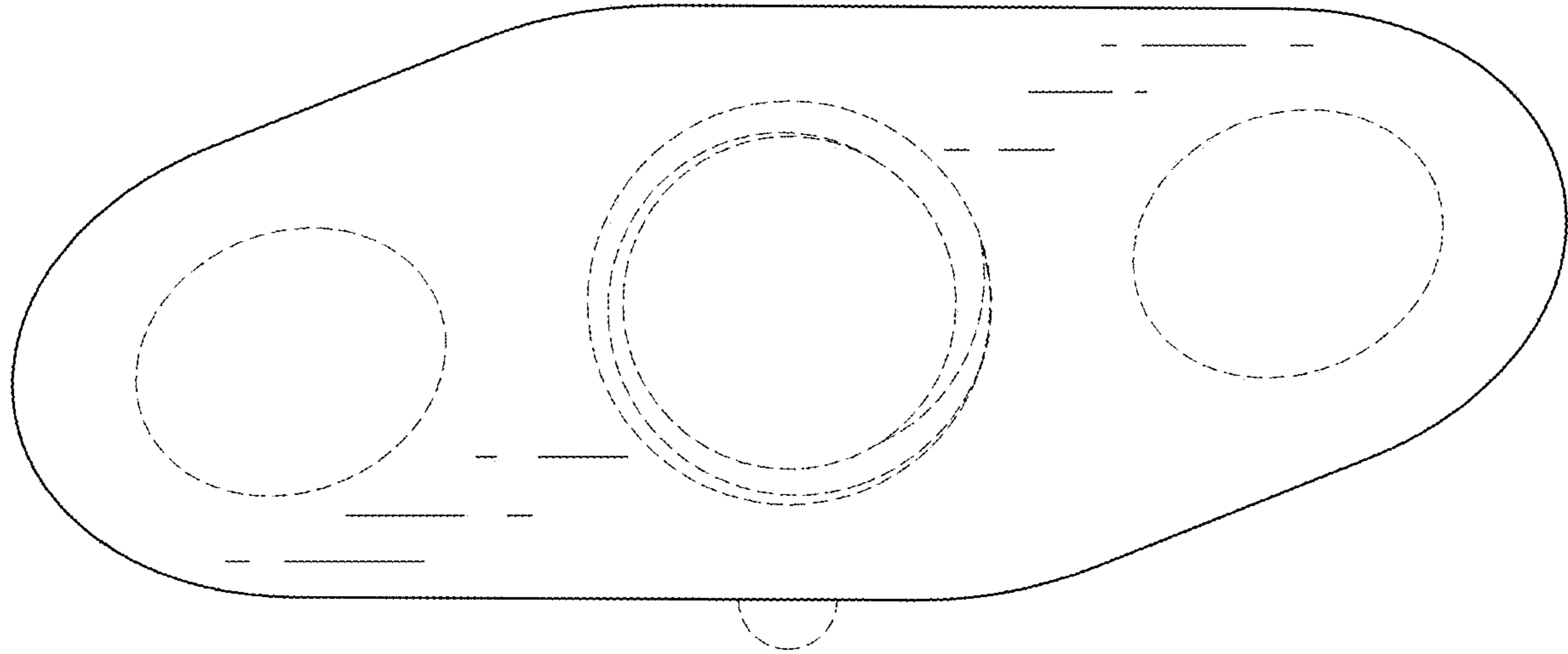


FIG. 7

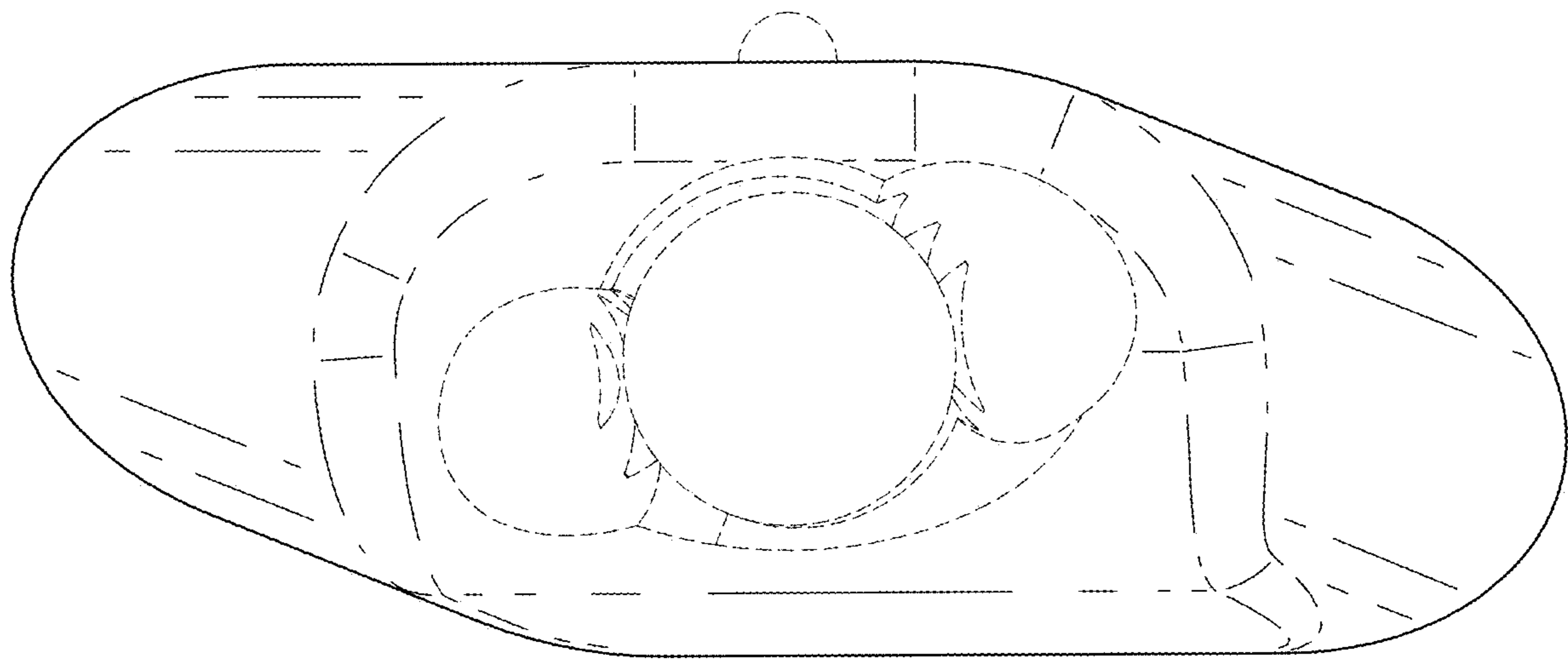


FIG. 8

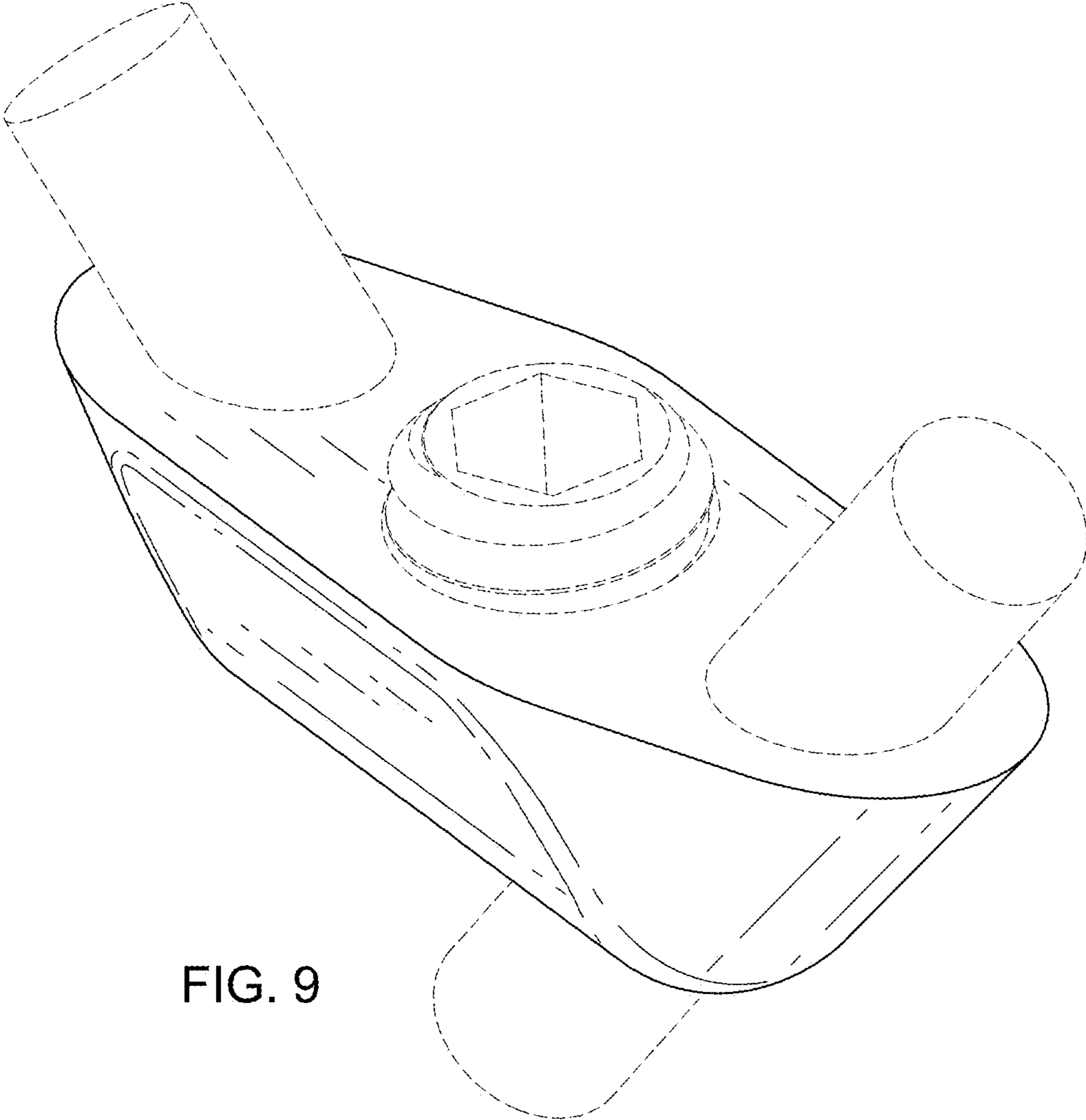


FIG. 9