



US00D875931S

(12) **United States Design Patent** (10) **Patent No.:** **US D875,931 S**
Asfora et al. (45) **Date of Patent:** **** Feb. 18, 2020**

(54) **PARALLEL SURGICAL GUIDE SPACER**

5,727,958 A 3/1998 Chen
5,735,898 A 4/1998 Branemark
D395,082 S 6/1998 Edgson
(Continued)

(71) Applicant: **SICAGE LLC**, Sioux Falls, SD (US)

(72) Inventors: **Wilson Theophilo Asfora**, Sioux Falls, SD (US); **Daniel S. Savage**, Brecksville, OH (US)

(73) Assignee: **SICAGE LLC**, Sioux Falls, SD (US)

(**) Term: **15 Years**

(21) Appl. No.: **29/677,254**

(22) Filed: **Jan. 18, 2019**

OTHER PUBLICATIONS

Sicage System Surgical Technique Brochure, 2017, [online], [site visited Mar. 18, 2019]. Retrieved from url:http://sicage.com/wp-content/uploads/2018/01/ED0016RA_Final.pdf (Year: 2107).*

(Continued)

Primary Examiner — Cathron C Brooks

Assistant Examiner — Tracey J Bell

(74) *Attorney, Agent, or Firm* — Dorsey & Whitney LLP

Related U.S. Application Data

(62) Division of application No. 29/624,324, filed on Oct. 31, 2017.

(51) **LOC (12) Cl.** **24-02**

(52) **U.S. Cl.**
USPC **D24/140**

(58) **Field of Classification Search**

USPC D24/133, 135, 136, 140, 143, 150, 152, D24/171, 172, 176, 231, 108; D8/47, 48, D8/82, 83, 88, 89; D19/37; D13/144; D6/692, 692.3; D21/390, 503
CPC ... A61B 17/17; A61B 17/8811; A61B 17/864; A61B 17/7098; A61B 17/3472
See application file for complete search history.

(57) **CLAIM**

The ornamental design for a parallel surgical guide spacer, as shown and described.

DESCRIPTION

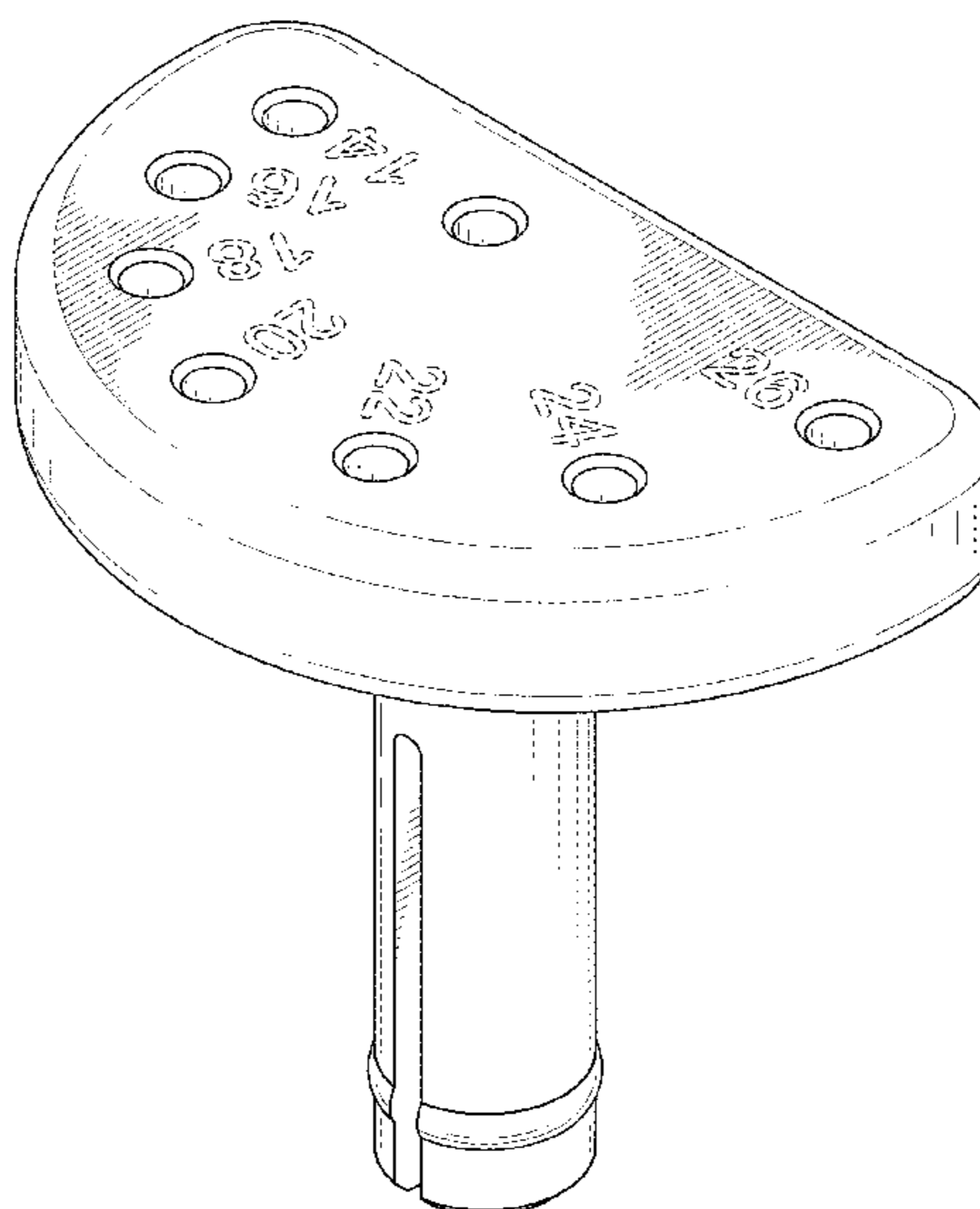
FIG. 1 is a front, right perspective-view of an embodiment of a parallel surgical guide spacer;
FIG. 2 is a top view thereof;
FIG. 3 is a bottom view thereof;
FIG. 4 is a left-side view thereof;
FIG. 5 is a right-side view thereof;
FIG. 6 is a front view thereof;
FIG. 7 is a back view thereof;
FIG. 8 is a front, right perspective-view of another embodiment of a parallel surgical guide spacer;
FIG. 9 is a top view thereof;
FIG. 10 is a bottom view thereof;
FIG. 11 is a left-side view thereof;
FIG. 12 is a right-side view thereof;
FIG. 13 is a front view thereof; and,
FIG. 14 is a back view thereof.
The broken lines illustrate environmental structure and form no part of the claimed design.

(56) **References Cited**

U.S. PATENT DOCUMENTS

4,486,689 A 12/1984 Davis
4,563,727 A 1/1986 Curiel
D326,156 S 5/1992 Martinez
5,144,946 A 9/1992 Weinberg
D337,820 S 7/1993 Hooper
5,676,545 A 10/1997 Jones
D389,639 S 1/1998 Priebe
5,725,581 A 3/1998 Branemark

1 Claim, 14 Drawing Sheets



(56)

References Cited

U.S. PATENT DOCUMENTS

D406,642 S 3/1999 Remes
 6,135,772 A 10/2000 Jones
 6,149,686 A 11/2000 Kuslich
 6,287,343 B1 9/2001 Kuslich
 6,342,055 B1 1/2002 Eisermann
 6,391,058 B1 5/2002 Kuslich
 6,517,542 B1 2/2003 Papay
 6,554,830 B1 4/2003 Chappius
 6,565,572 B2 5/2003 Chappius
 6,604,945 B1 8/2003 Jones
 6,755,835 B2 6/2004 Schultheiss
 D560,727 S 1/2008 Denoual
 7,354,442 B2 4/2008 Sasso
 D588,211 S 3/2009 Croston
 D596,758 S 7/2009 Constable
 7,575,572 B2 8/2009 Sweeney
 7,608,062 B2 10/2009 Sweeney
 7,717,947 B1 5/2010 Wilberg
 D626,615 S 11/2010 Isbrandt
 D629,517 S 12/2010 Jauch
 D634,428 S 3/2011 Anderson
 8,062,270 B2 11/2011 Sweeney
 D667,548 S 9/2012 Brannon
 8,303,602 B2 11/2012 Biedermann
 8,382,808 B2 2/2013 Wilberg
 D678,187 S 3/2013 Huang
 D686,491 S 7/2013 Kuo
 D691,201 S 10/2013 Roth
 8,574,273 B2 11/2013 Russell
 D705,719 S 5/2014 Wong
 D708,191 S 7/2014 An
 8,808,337 B2 8/2014 Sweeney
 D714,765 S 10/2014 Goransson
 8,870,836 B2 10/2014 Sweeney
 8,956,369 B2 2/2015 Millett
 D736,380 S 8/2015 Van Dalen
 9,131,970 B2 9/2015 Kang
 9,138,245 B2 9/2015 Mebarak
 9,173,692 B1 11/2015 Kaloostian
 D745,969 S * 12/2015 Matheny D24/155
 9,198,702 B2 12/2015 Biederman
 D748,786 S 2/2016 Bailey
 9,271,742 B2 3/2016 Asfora
 9,271,743 B2 3/2016 Asfora
 9,295,488 B2 3/2016 Asfora
 9,326,779 B2 5/2016 Dorawa
 9,326,801 B2 5/2016 Poulos
 9,333,018 B2 5/2016 Russell
 9,408,705 B2 8/2016 Oosthuizen
 D767,042 S 9/2016 Martin
 9,445,852 B2 9/2016 Sweeney
 9,445,909 B2 9/2016 Cohen
 9,504,526 B2 11/2016 Hanson
 9,526,548 B2 12/2016 Asfora
 D778,156 S 2/2017 Follett
 9,566,100 B2 2/2017 Asfora
 9,616,205 B2 4/2017 Nebosky
 9,642,656 B2 5/2017 Kotuljac

D790,964 S 7/2017 Akana
 D802,536 S 11/2017 Shang
 D804,334 S 12/2017 Becker
 9,907,582 B1 3/2018 Olea
 D831,479 S 10/2018 Lylyk
 D850,616 S * 6/2019 Asfora D24/140
 D860,450 S * 9/2019 Asfora D24/140
 2004/0049284 A1 3/2004 German
 2004/0049286 A1 3/2004 German
 2005/0071008 A1 3/2005 Kirschman
 2005/0203532 A1 9/2005 Ferguson
 2005/0228398 A1 10/2005 Rathbun
 2006/0195111 A1 * 8/2006 Couture A61B 17/15
 606/86 R
 2006/0200248 A1 * 9/2006 Beguin A61F 2/4081
 623/19.11
 2007/0233123 A1 10/2007 Ahmad
 2008/0133020 A1 6/2008 Blackwell
 2011/0137352 A1 6/2011 Biedermann
 2011/0213426 A1 9/2011 Yedlicka
 2012/0089195 A1 4/2012 Yedlicka
 2012/0310361 A1 * 12/2012 Zubok A61F 2/30734
 623/20.32
 2013/0065698 A1 3/2013 Biedermann
 2013/0245602 A1 9/2013 Sweeney
 2013/0267960 A1 10/2013 Groh
 2014/0012340 A1 1/2014 Beck
 2014/0046381 A1 2/2014 Asfora
 2014/0276857 A1 9/2014 Major
 2014/0277188 A1 9/2014 Poulos
 2015/0230844 A1 8/2015 Ellis
 2015/0272646 A1 10/2015 Russell
 2015/0313658 A1 11/2015 Kolb
 2016/0000489 A1 1/2016 Kaloostian
 2016/0008044 A1 1/2016 Sweeney
 2016/0143671 A1 5/2016 Jimenez
 2016/0143742 A1 5/2016 Asfora
 2016/0151100 A1 6/2016 Biedermann
 2016/0220291 A1 8/2016 Russell
 2016/0310188 A1 10/2016 Marino
 2017/0181759 A1 6/2017 Bouduban
 2018/0072488 A1 3/2018 Benoit
 2018/0185038 A1 7/2018 Hero

OTHER PUBLICATIONS

65mm Flat Semi Circle Silicone Necklace Mold PM04, no date available, online, site visited Feb. 1, 2019, retrieved from url:https://www.makememoldme.com/listing/588778232/65mm-flat-semi-circle-silicone-mold (2019).
 Citrus Slice by faberdasher, Aug. 17, 2016 online, site visited Feb. 1, 2019, retrieved from url:https://www.thingiverse.com/thing:1721009 (2016).
 Silicone mold 8x3.5 mm lenses 10 pcs, earliest review Nov. 27, 2016, online, site visited Feb. 1, 2019, retrieved from url:https://www.etsy.com/listing/257627215/silicone-mold-8-x-35-mm-lenses-10-pcs?ref=shop_review (2016).

* cited by examiner

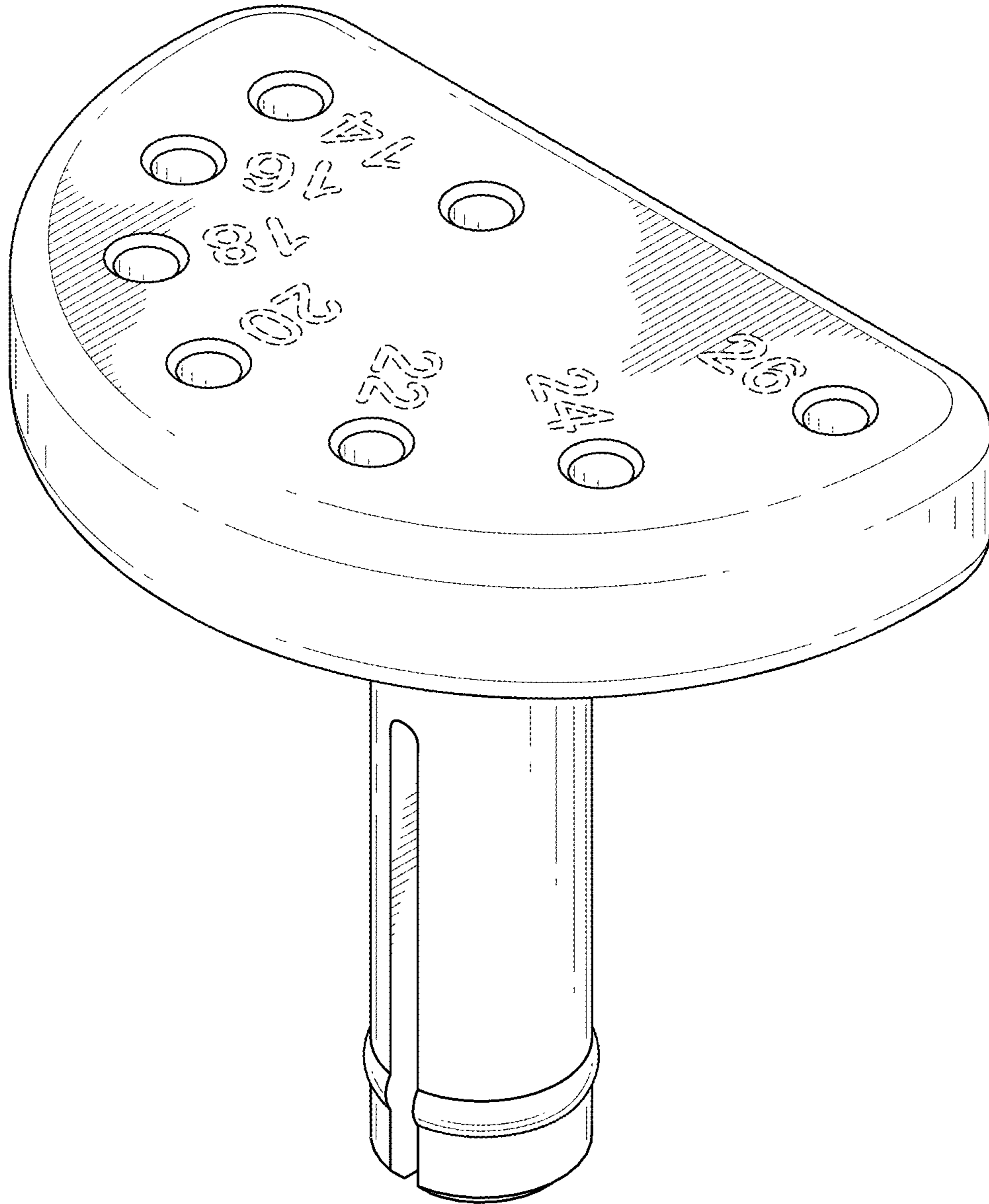


FIG. 1

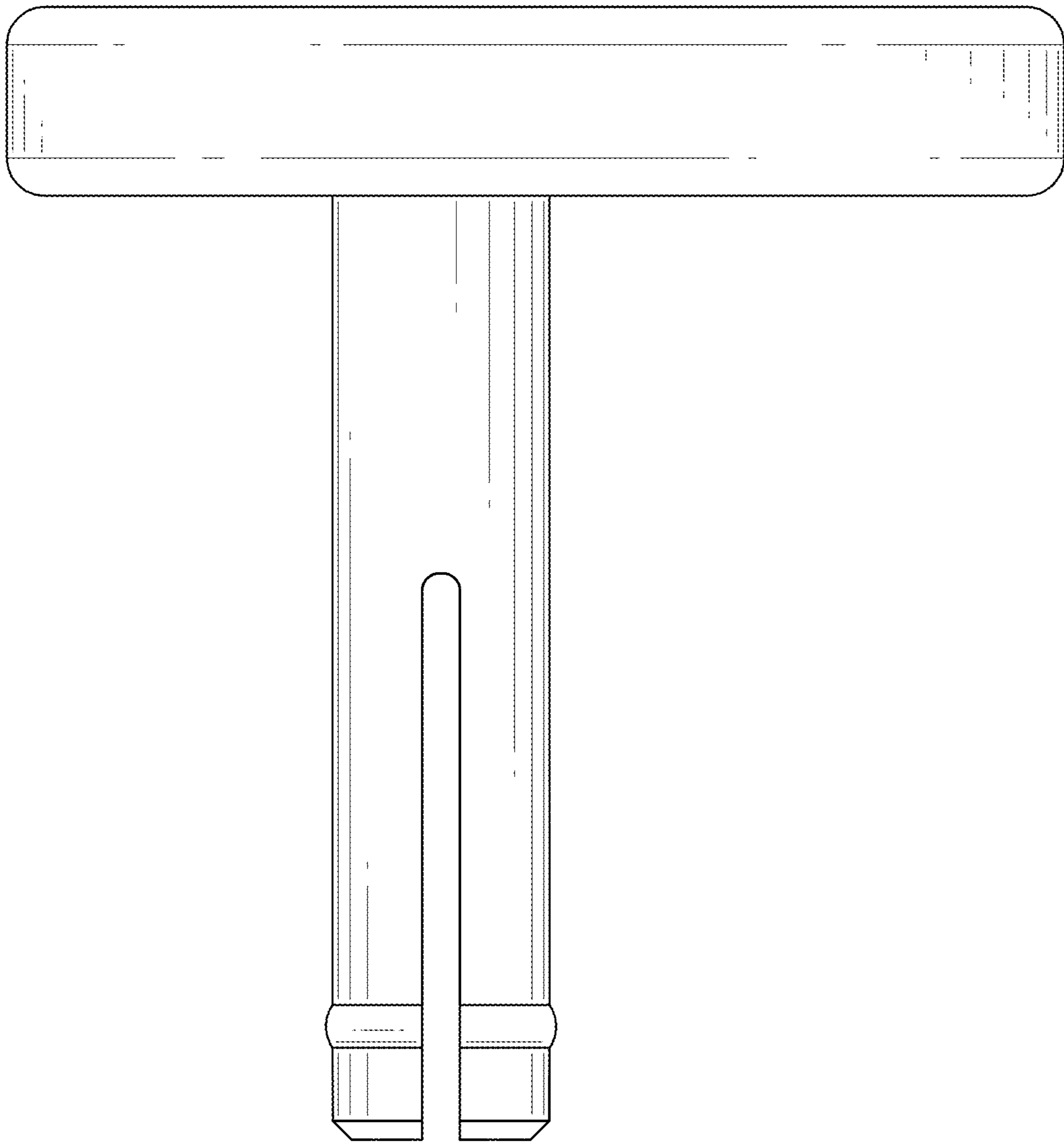


FIG. 2

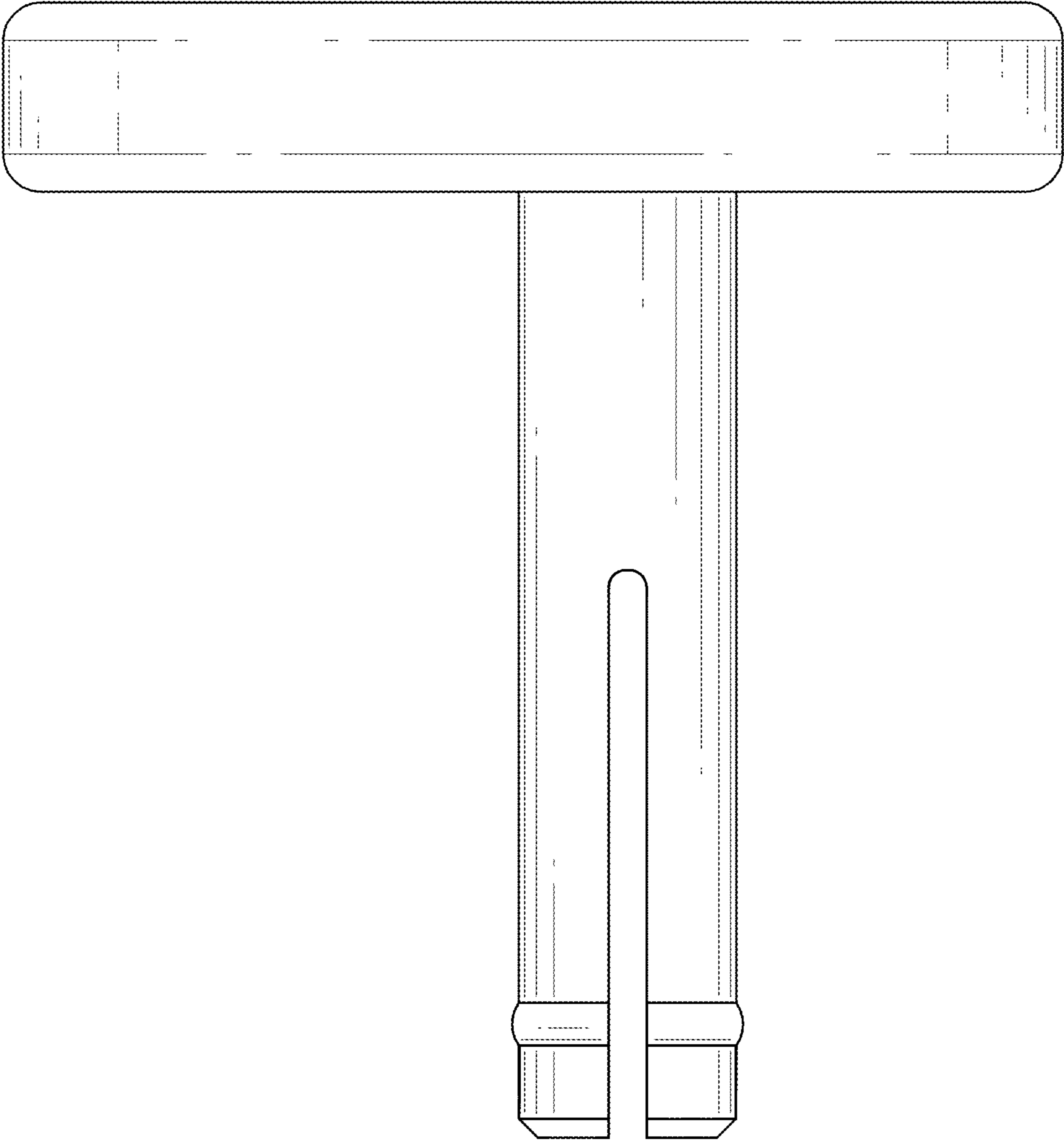


FIG. 3



FIG.4



FIG. 5

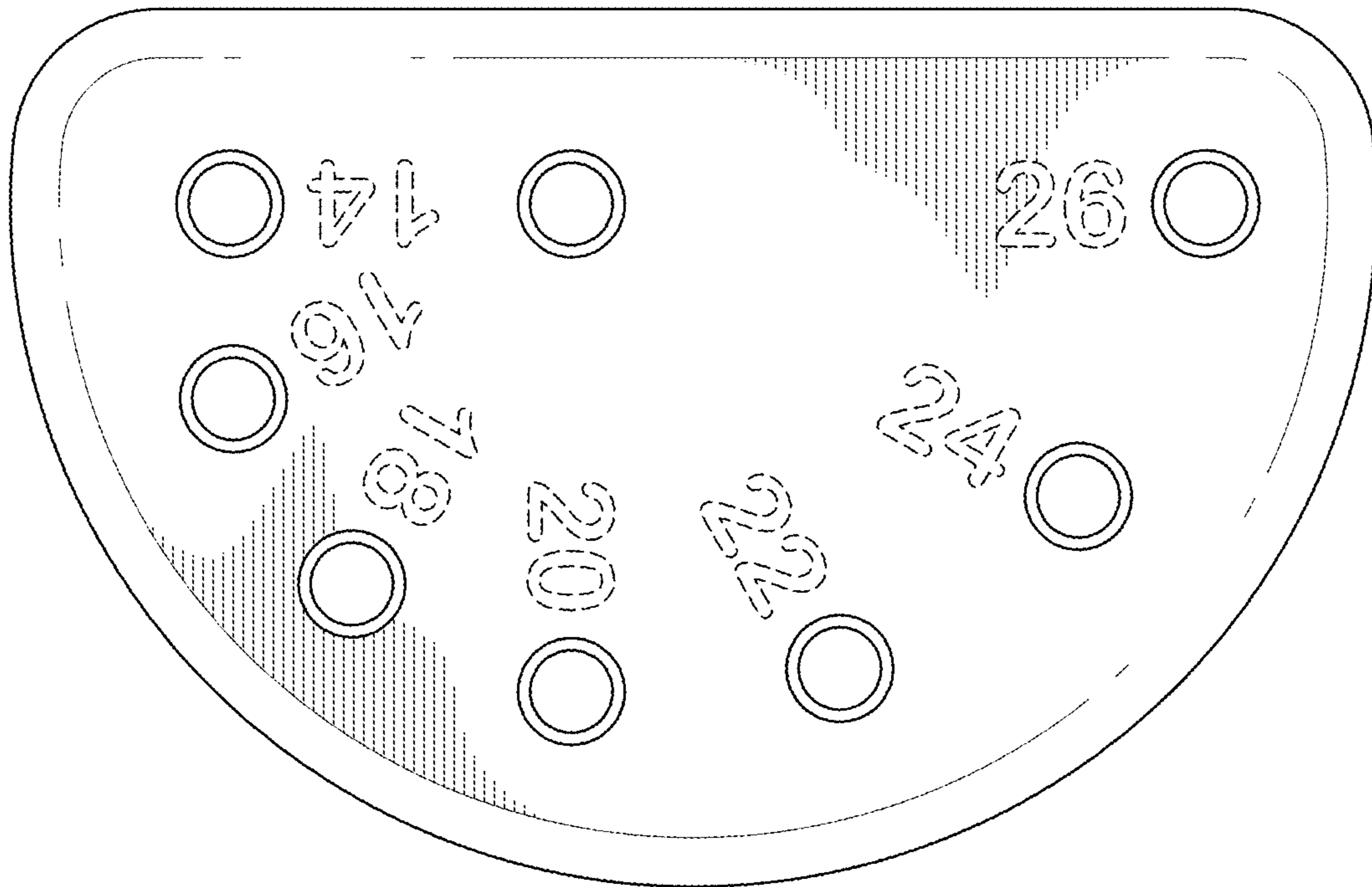


FIG. 6

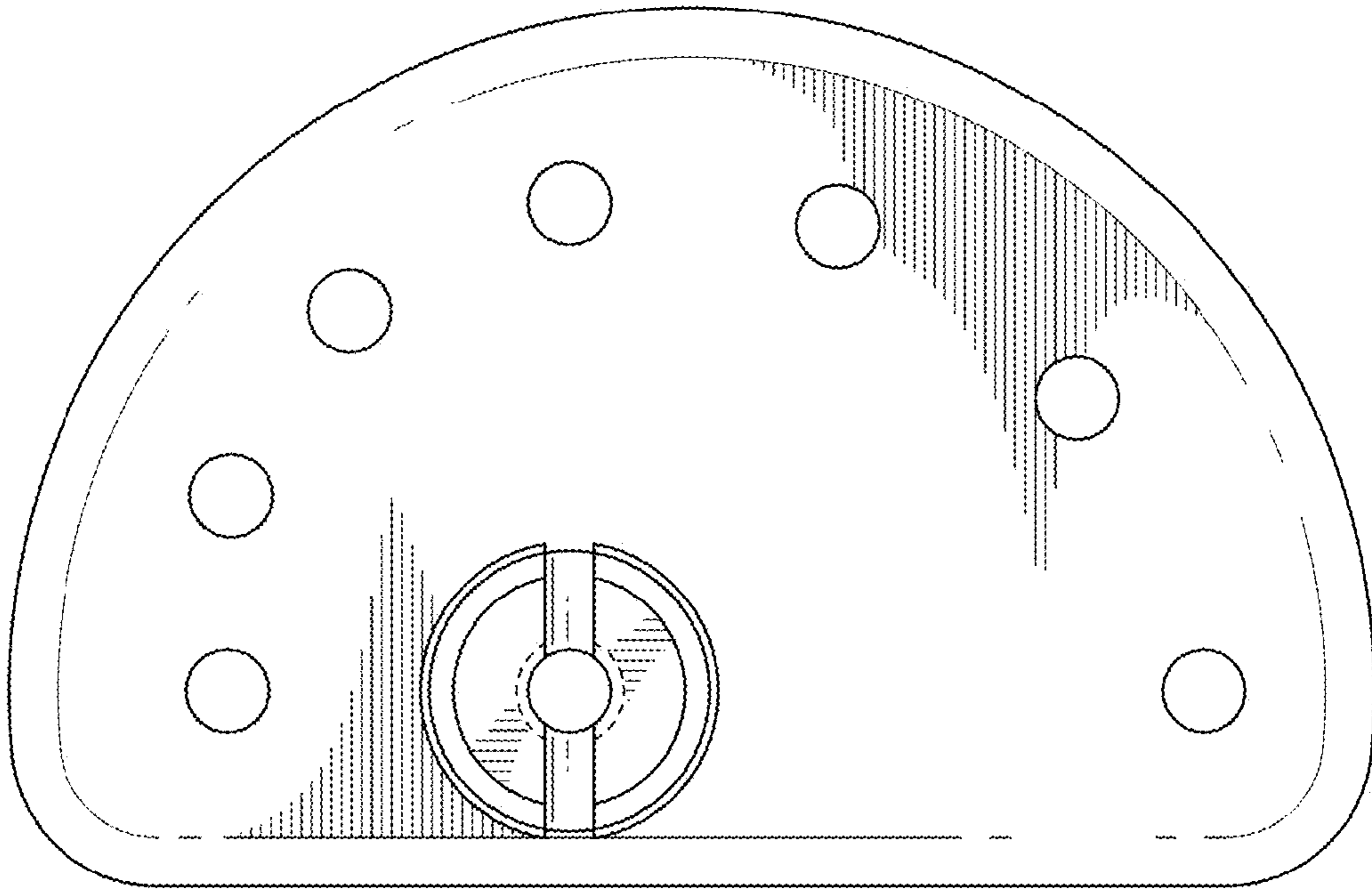


FIG. 7

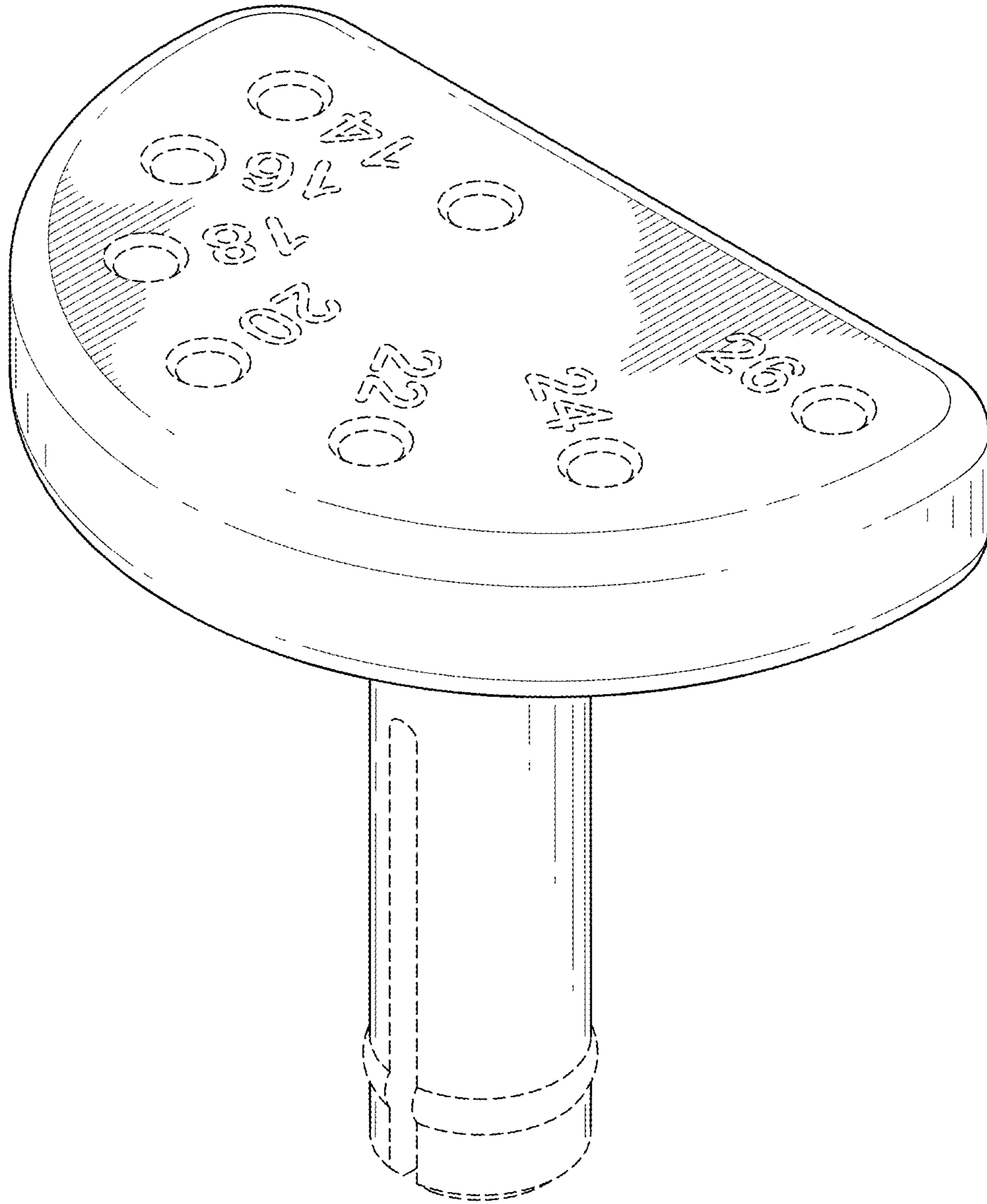


FIG.8

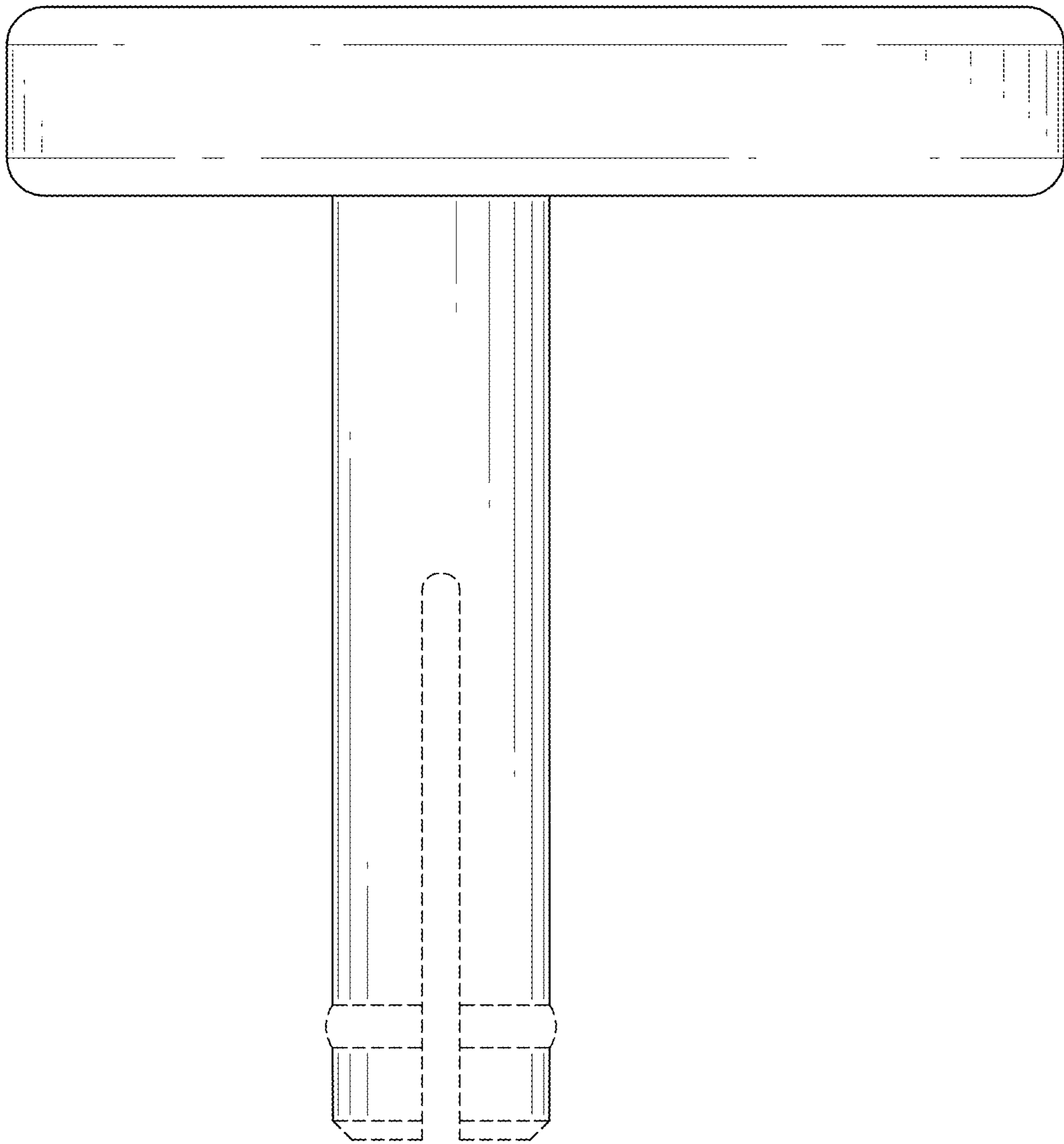


FIG. 9

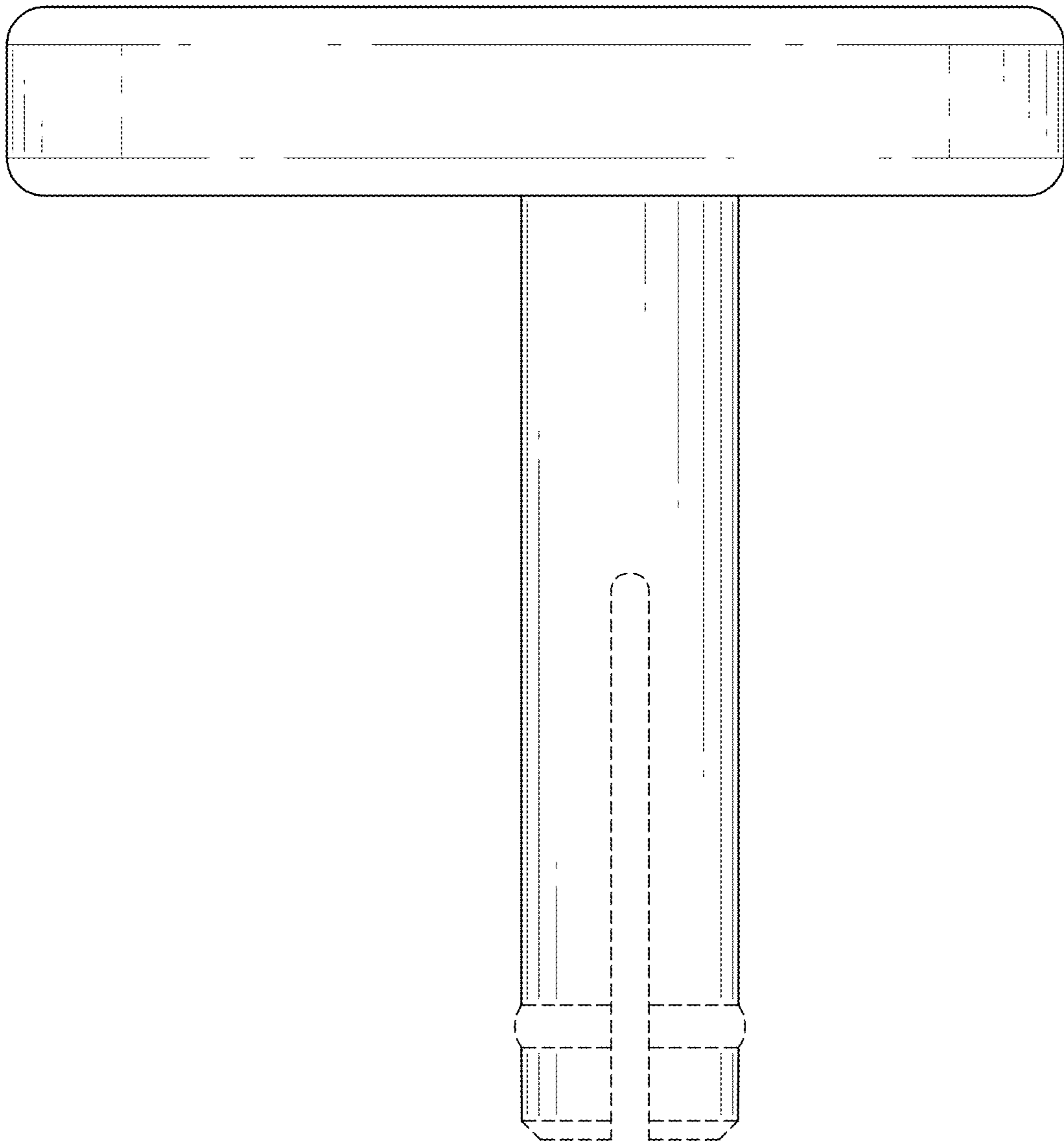


FIG. 10

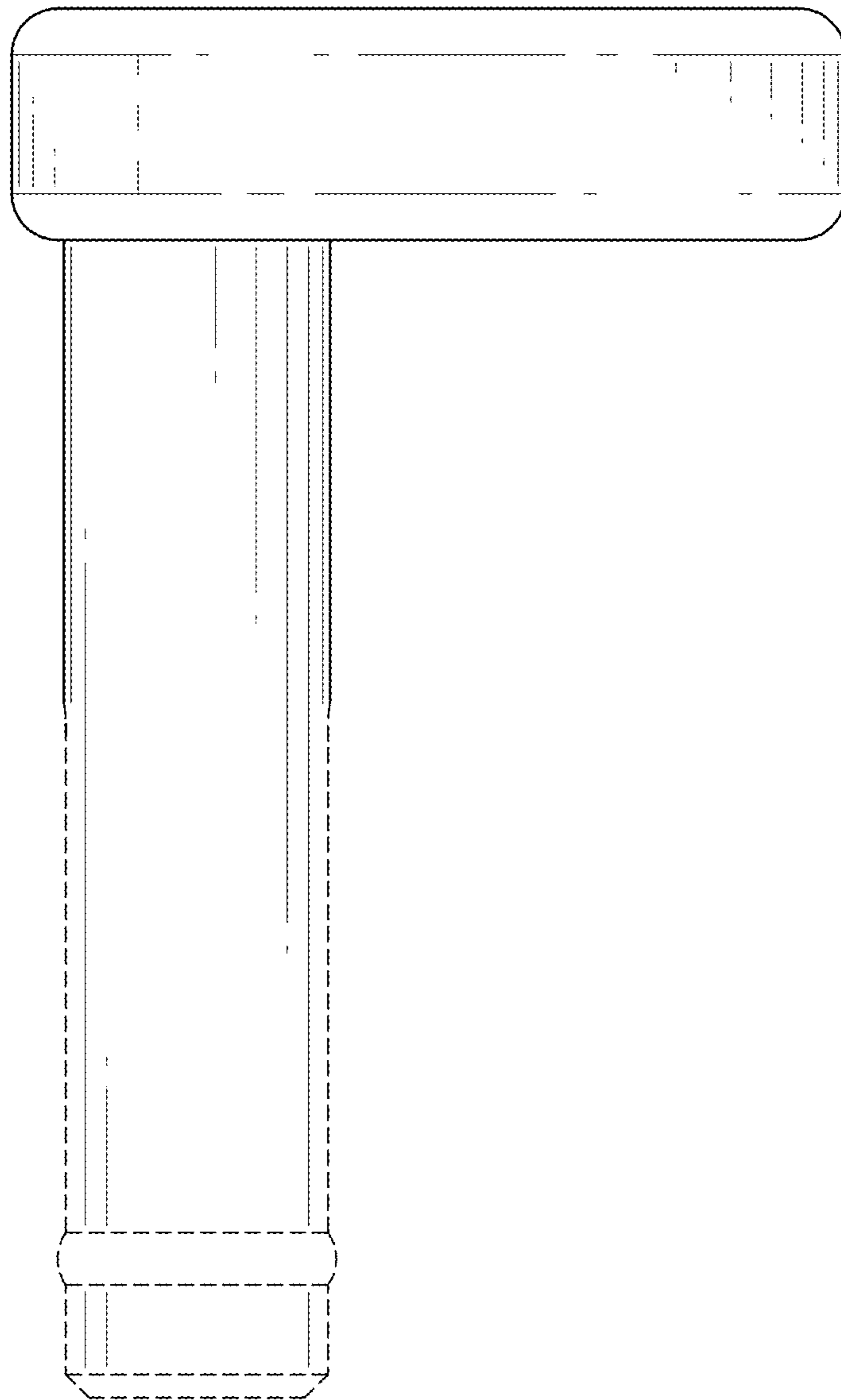


FIG. 11

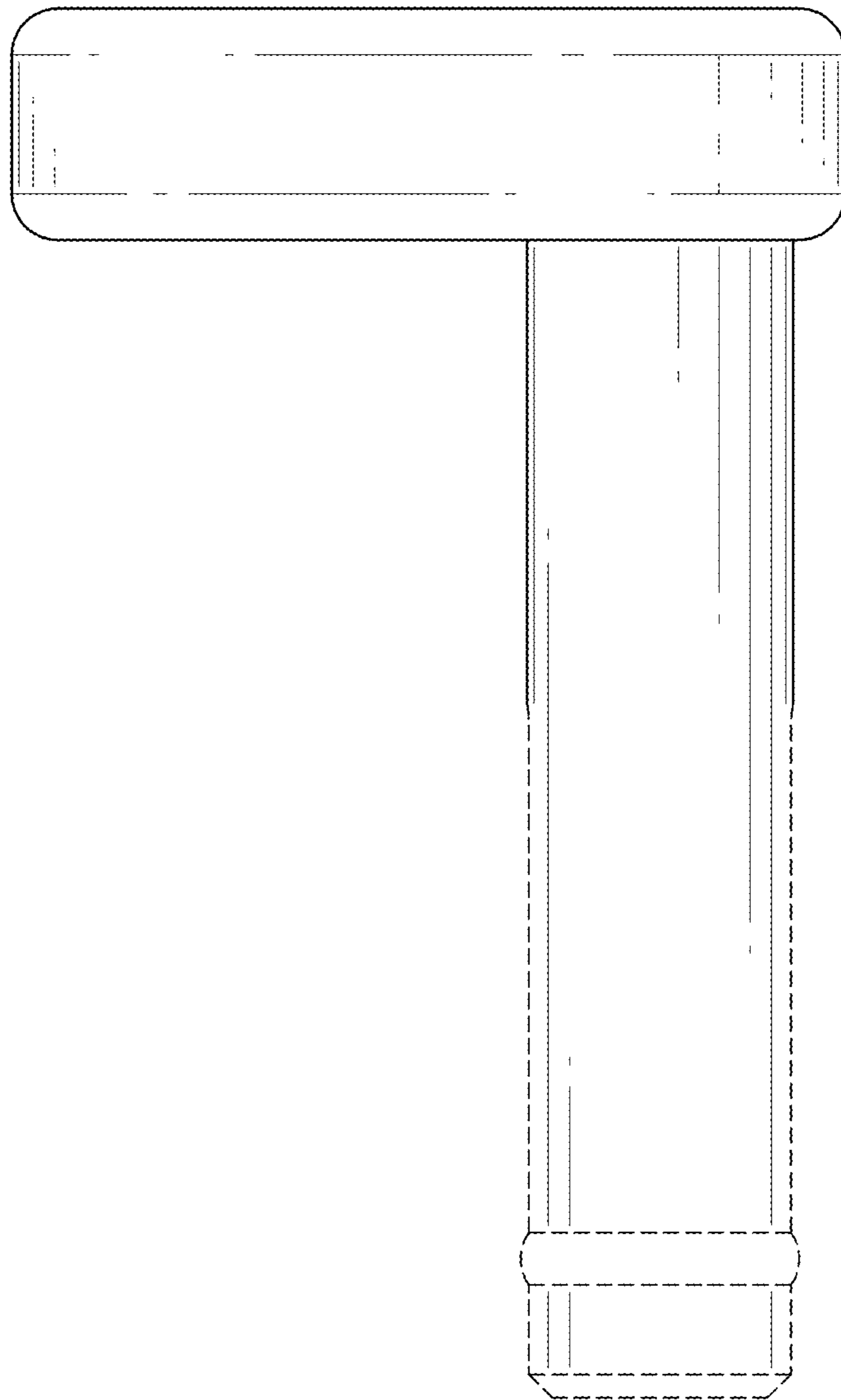


FIG. 12

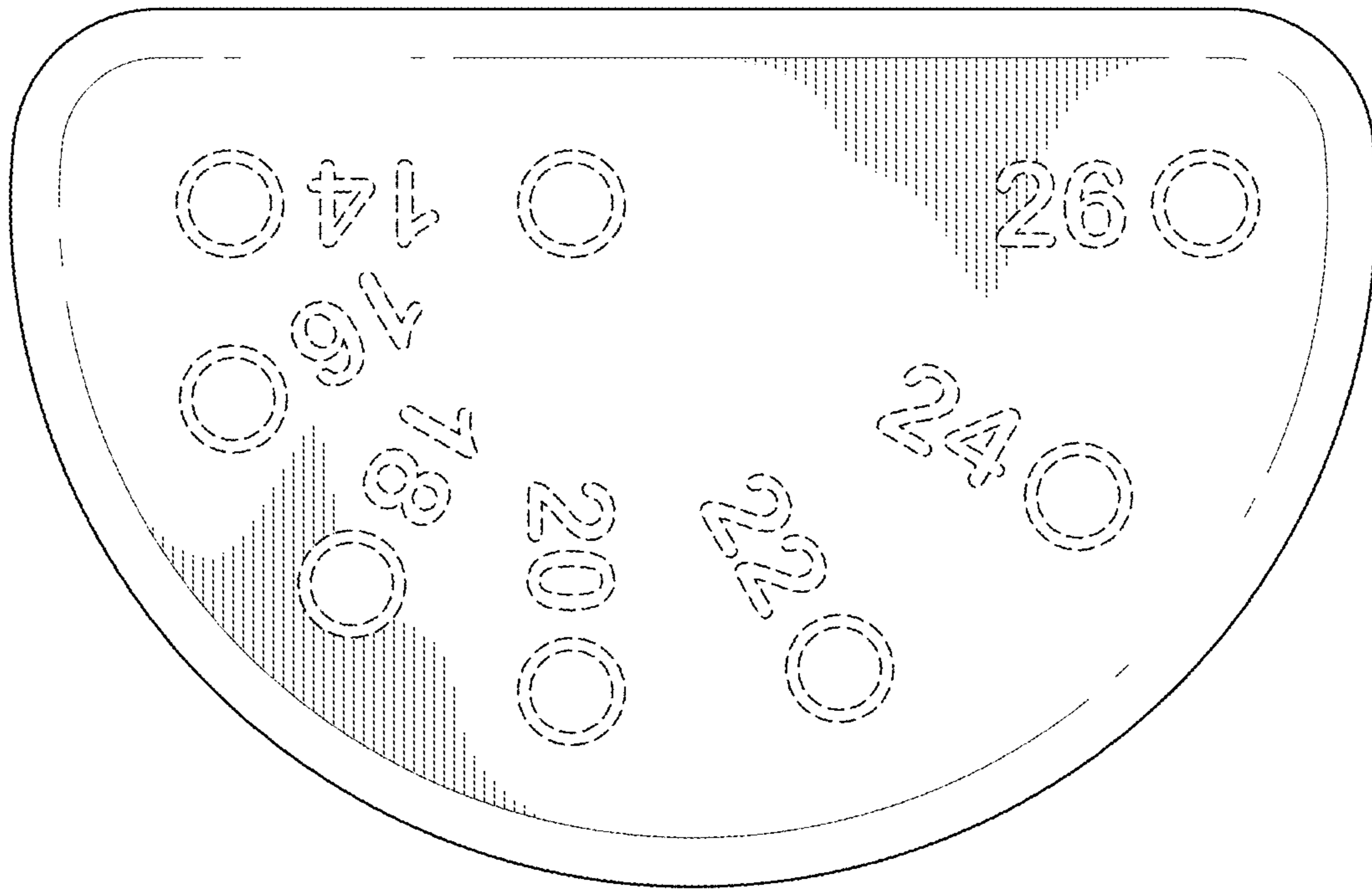


FIG. 13

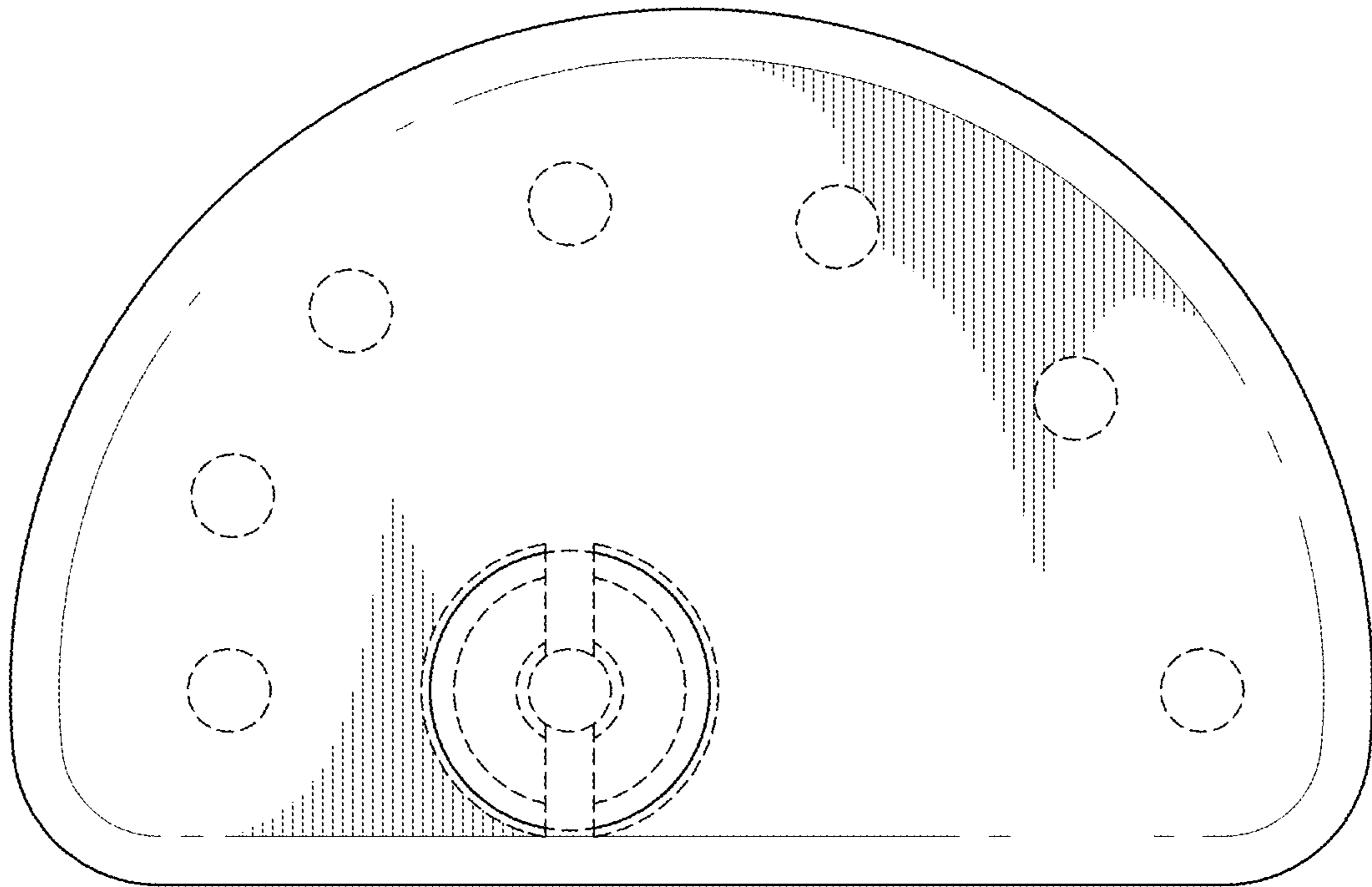


FIG. 14