



US00D875930S

(12) **United States Design Patent**
Sato et al.

(10) **Patent No.:** **US D875,930 S**
(45) **Date of Patent:** **** Feb. 18, 2020**

(54) **IMAGING MODULE FOR AN ENDOSCOPE**

(71) Applicant: **FUJIKURA LTD.**, Tokyo (JP)

(72) Inventors: **Takao Sato**, Sakura (JP); **Kazuhiro Domoto**, Sakura (JP); **Hideo Shiratani**, Sakura (JP); **Takahiro Shimono**, Sakura (JP); **Hideaki Usuda**, Sakura (JP); **Takeshi Ishizuka**, Sakura (JP); **Wataru Oishi**, Sakura (JP)

(73) Assignee: **FUJIKURA LTD.**, Tokyo (JP)

(**) Term: **15 Years**

(21) Appl. No.: **29/607,638**

(22) Filed: **Jun. 15, 2017**

(30) **Foreign Application Priority Data**

Dec. 16, 2016 (JP) 2016-027283

(51) **LOC (12) Cl.** **24-02**

(52) **U.S. Cl.**
USPC **D24/138**

(58) **Field of Classification Search**
USPC D24/108, 111, 112, 113, 117, 118, 127,
D24/130, 133, 135, 137, 138, 141, 143,
D24/144, 148, 152, 153, 154, 170, 176,
D24/179, 216, 222
CPC A61B 1/00; A61B 1/00137; A61B 1/005;
A61B 1/0014; A61B 1/0676; A61B
1/0669; A61B 1/00121; A61B 1/00133;
A61B 1/00071; A61B 1/00064; A61B
1/00068; A61B 1/00112; A61B 1/0125;
A61B 17/3478

See application file for complete search history.

(56) **References Cited**

U.S. PATENT DOCUMENTS

3,805,770 A * 4/1974 Okada A61B 1/31
600/114
D591,438 S * 4/2009 Hama D24/133

D681,201 S * 4/2013 McFarland D24/144
D755,378 S * 5/2016 Dejima D24/138
D857,890 S * 8/2019 Schaer D24/138
2008/0234547 A1 * 9/2008 Irion A61B 1/00071
600/133
2017/0231476 A1 * 8/2017 Matsuo A61B 1/00
600/104

* cited by examiner

Primary Examiner — Eliza Z Bennett-Hattan

(74) *Attorney, Agent, or Firm* — Sughrue Mion, PLLC

(57) **CLAIM**

The ornamental design for an imaging module for an endoscope, as shown and described.

DESCRIPTION

FIG. 1 is a perspective view of an imaging module for an endoscope.
FIG. 2 is a front elevation view thereof.
FIG. 3 is a rear elevation view thereof.
FIG. 4 is a left side elevation view thereof.
FIG. 5 is a right side elevation view thereof.
FIG. 6 is a top plan view thereof.
FIG. 7 is a bottom plan view thereof.
FIG. 8 is an enlarged view of the portion 8 in FIG. 1.
FIG. 9 is an enlarged view of the portion 9 in FIG. 2.
FIG. 10 is an enlarged left side elevation view thereof.
FIG. 11 is an enlarged right side elevation view thereof.
FIG. 12 is an enlarged cross-sectional view taken along the line 12-12 in FIG. 9.
FIG. 13 is an enlarged cross-sectional view of the portion 9 in FIG. 2 taken along the line 13-13 in FIG. 10, which omits the internal structure; and,
FIG. 14 is a referential view showing the curved state thereof.
The broken lines shown in the drawings illustrate portions of the imaging module for an endoscope that form no part of the claimed design. The one-dot lines show a symbolic break in length.

1 Claim, 14 Drawing Sheets

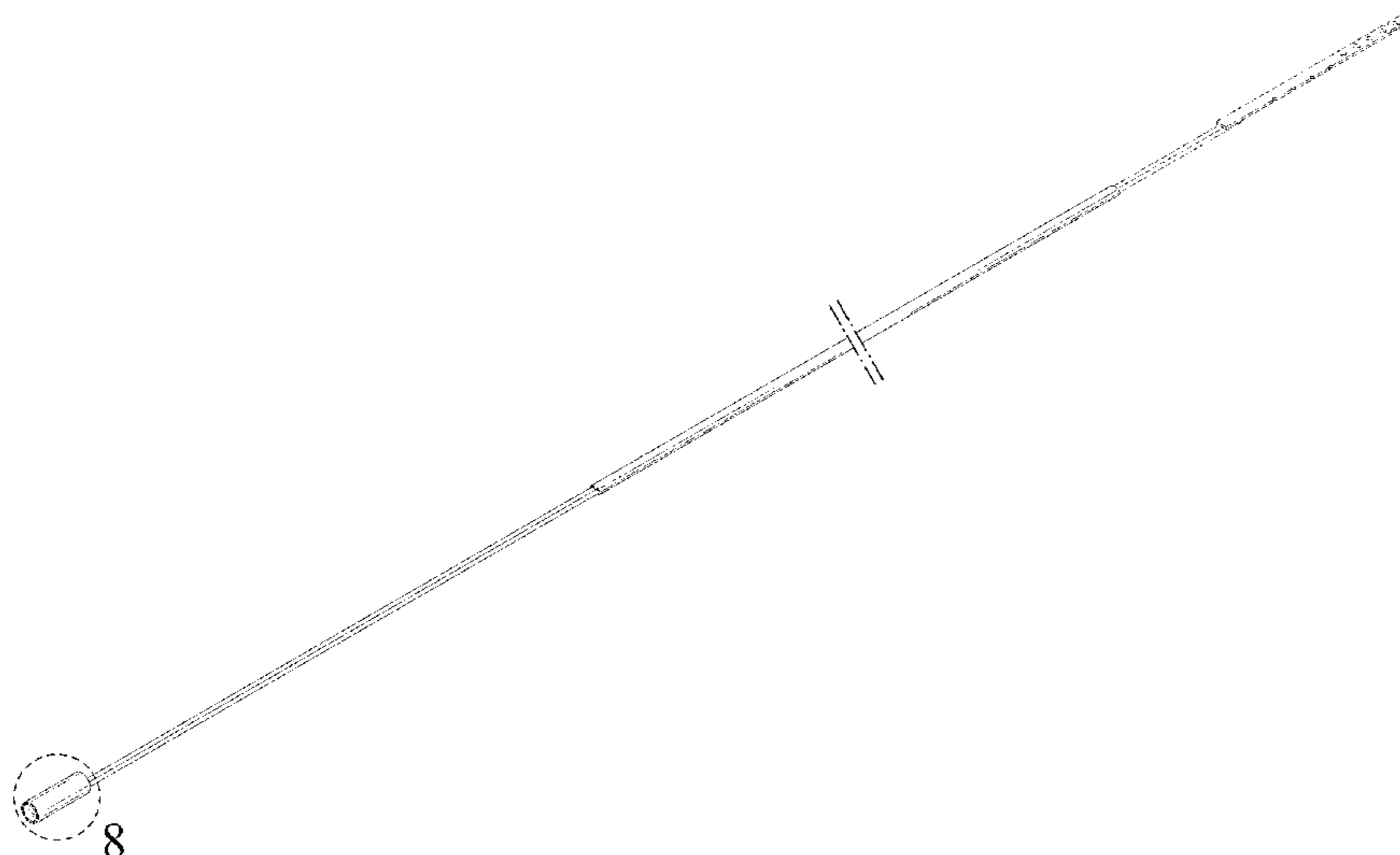


FIG. 1

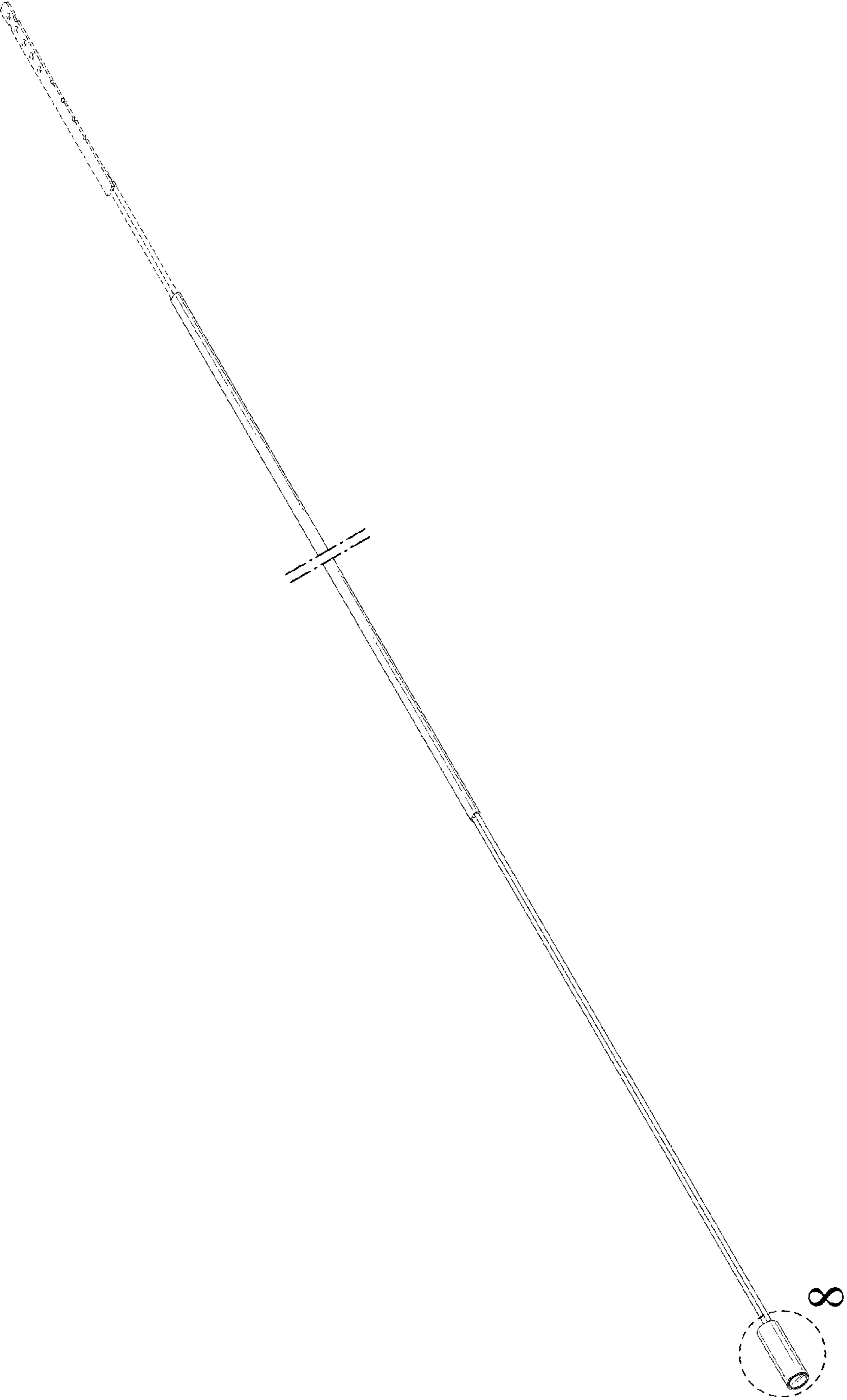


FIG. 2

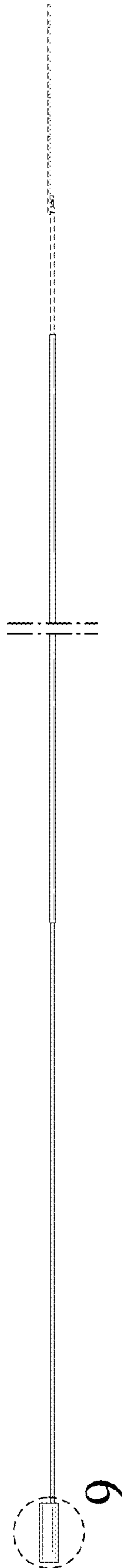


FIG. 3

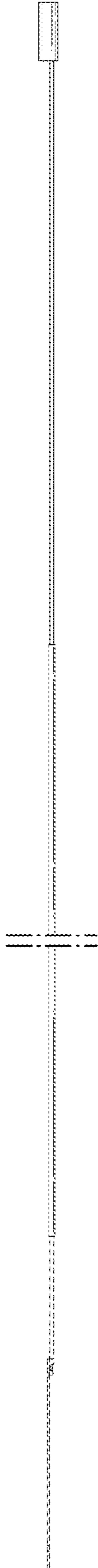


FIG. 4



FIG. 5



FIG. 6

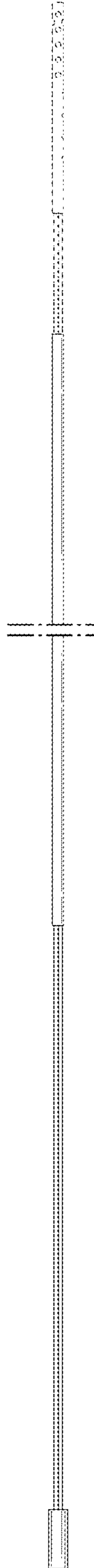
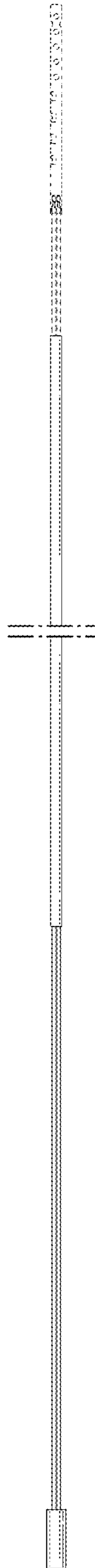


FIG. 7



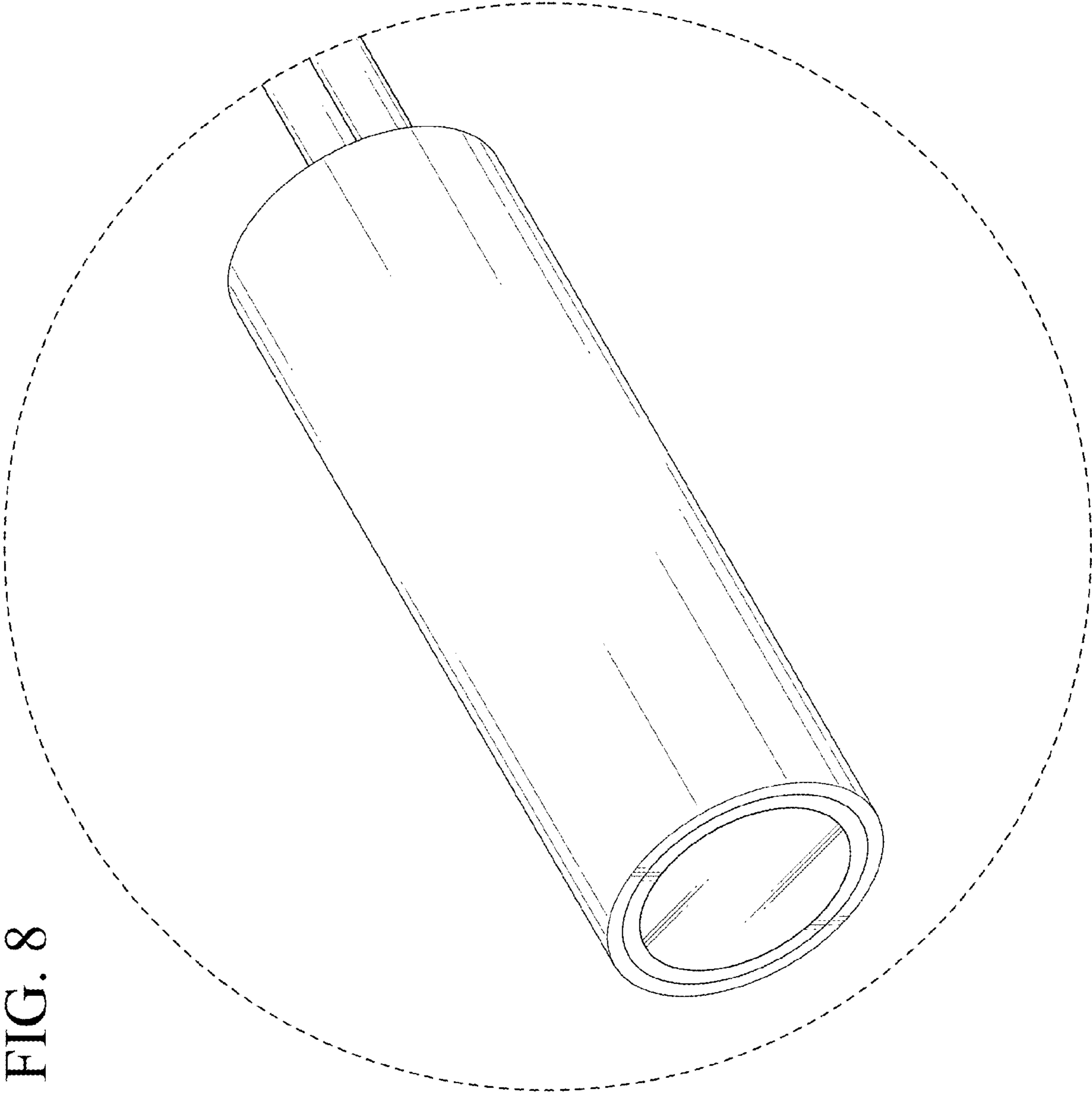


FIG. 8

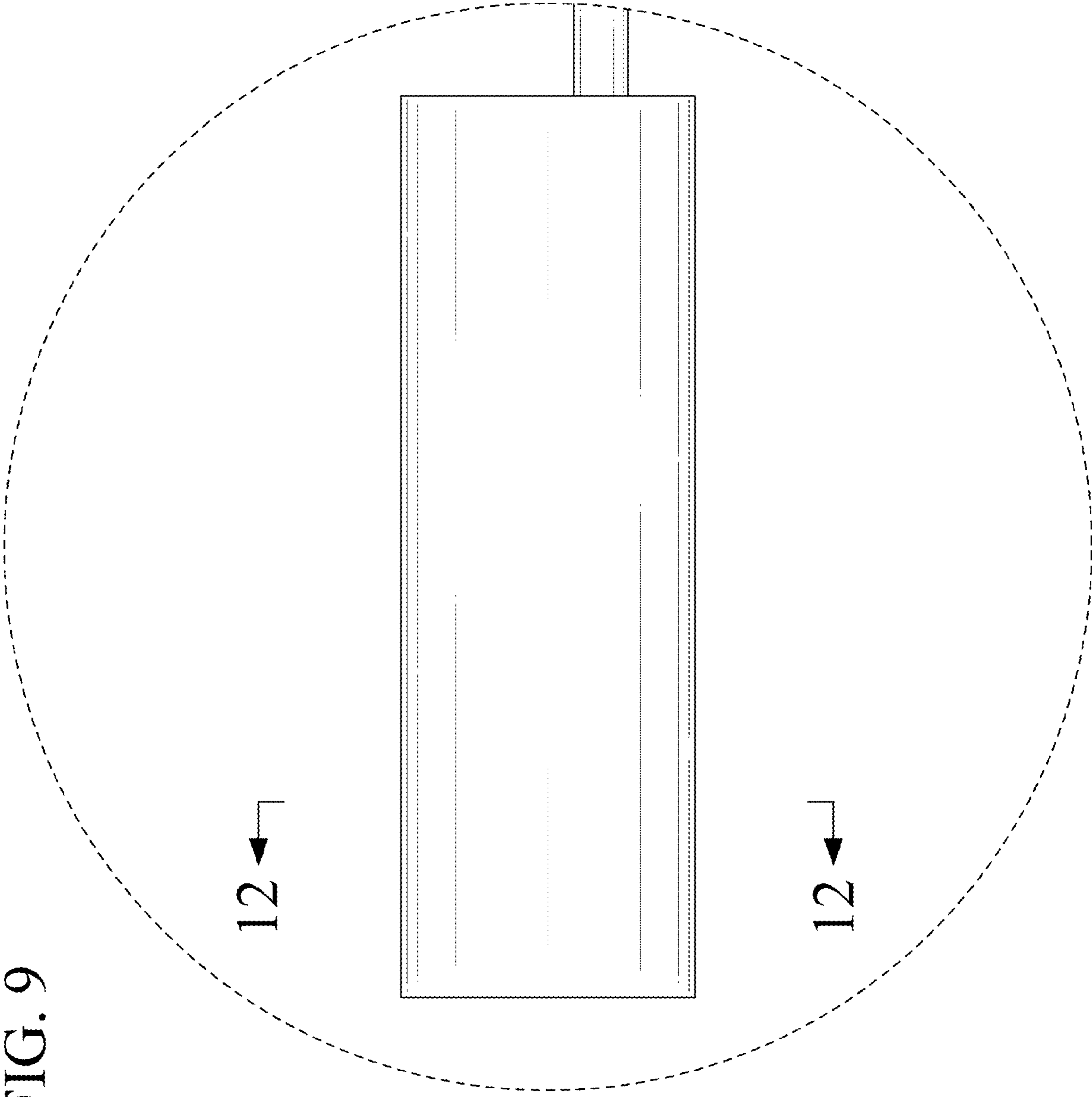


FIG. 9

FIG. 10

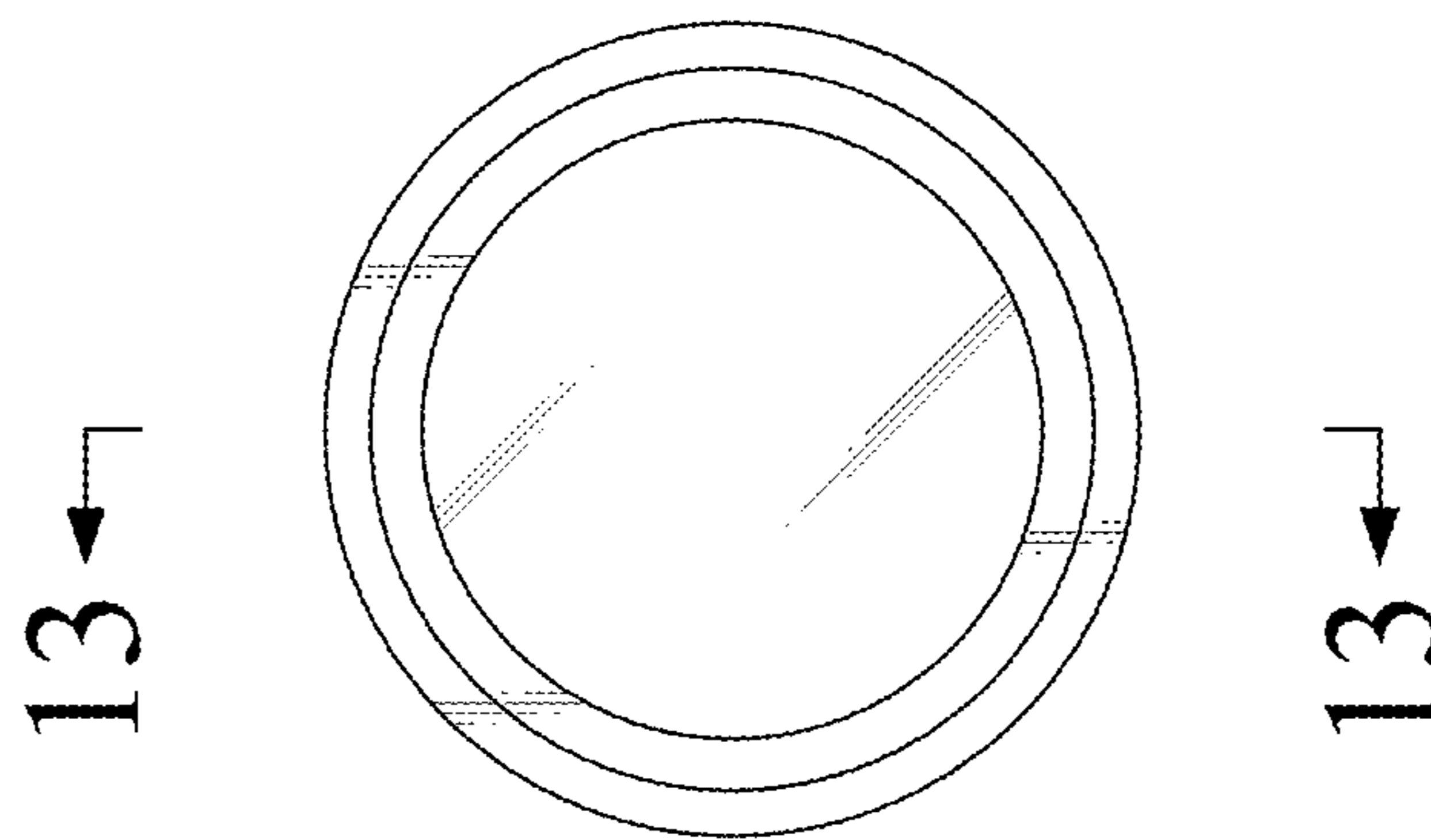
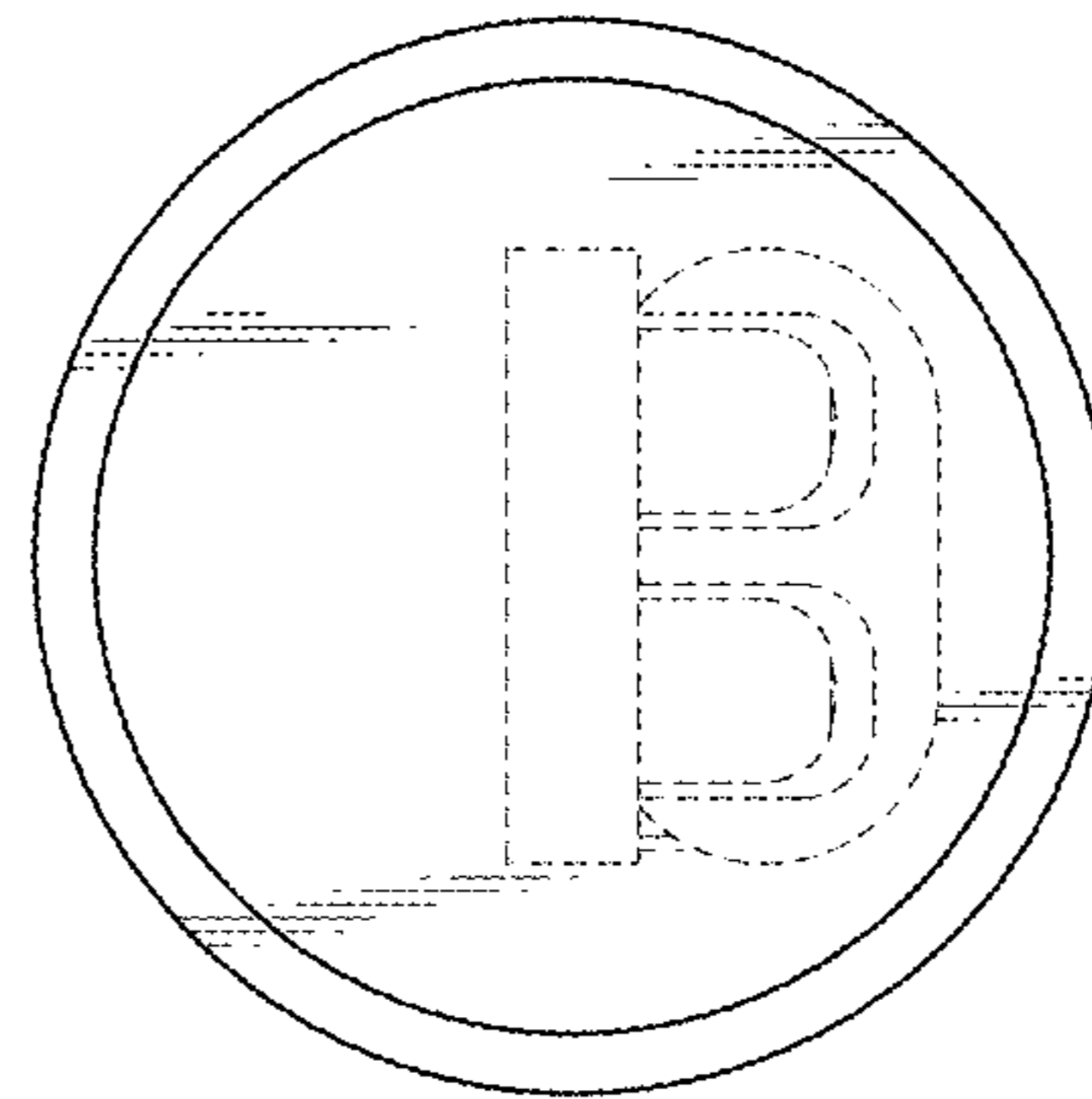


FIG. 11



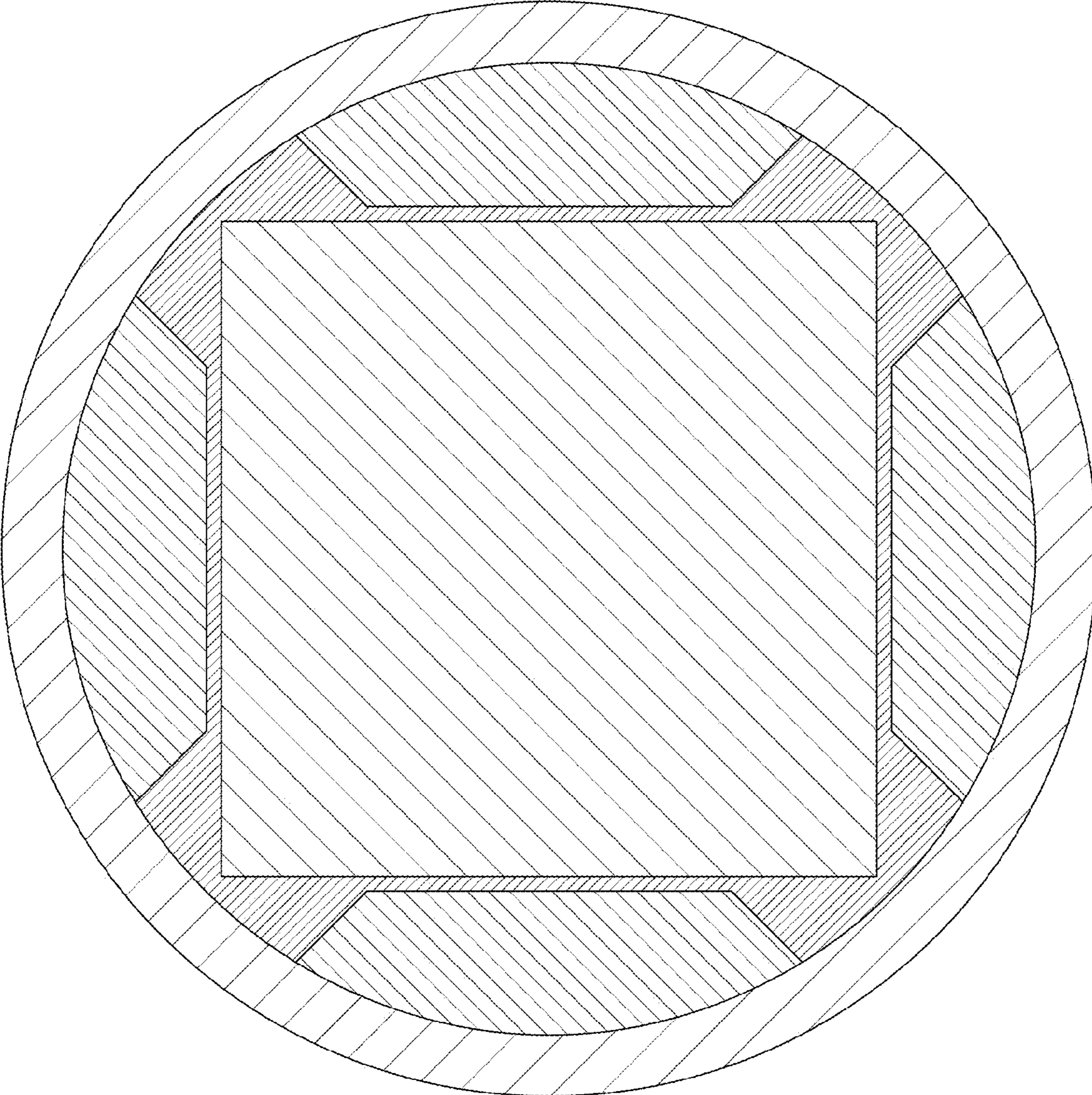


FIG. 12

FIG. 13

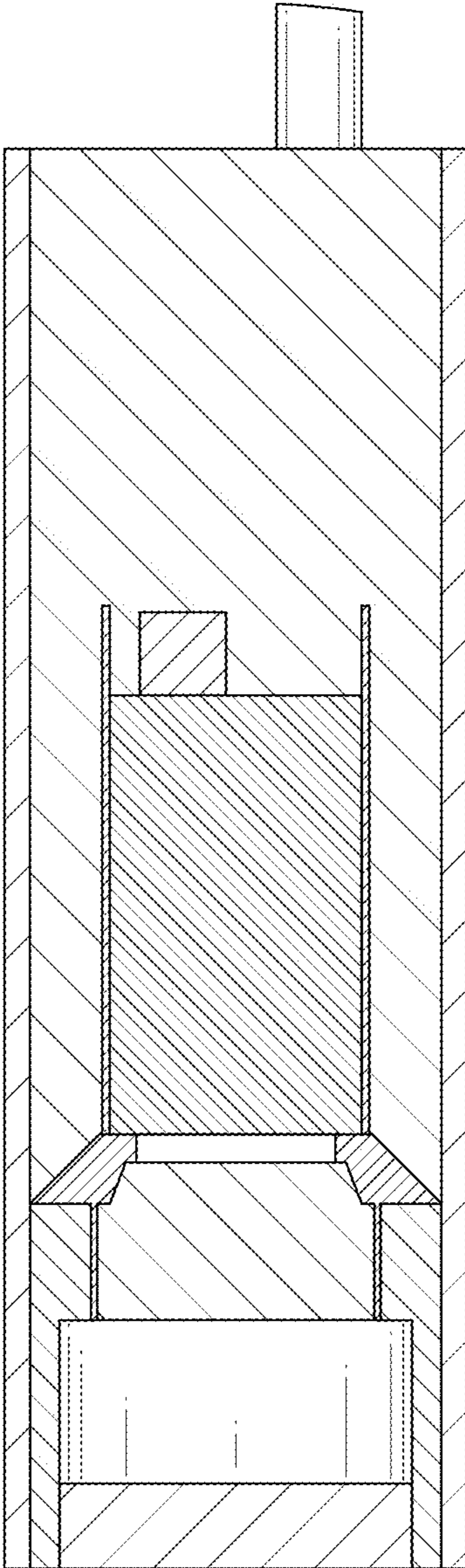


FIG. 14

