



US00D875929S

(12) **United States Design Patent** (10) **Patent No.:** **US D875,929 S**  
**Tanaka et al.** (45) **Date of Patent:** **\*\* Feb. 18, 2020**

(54) **SCANNING DEVICE FOR ULTRASONIC PROBE**

(71) Applicant: **FUJIFILM Corporation**, Tokyo (JP)

(72) Inventors: **Kunihiko Tanaka**, Kanagawa (JP);  
**Koji Yoshida**, Kanagawa (JP)

(73) Assignee: **FUJIFILM Corporation**, Minato-Ku,  
Tokyo (JP)

(\*\*) Term: **15 Years**

(21) Appl. No.: **29/596,412**

(22) Filed: **Mar. 8, 2017**

(30) **Foreign Application Priority Data**

Sep. 9, 2016 (JP) ..... 2016-019591

(51) **LOC (12) Cl.** ..... **24-02**

(52) **U.S. Cl.**  
USPC ..... **D24/138**

(58) **Field of Classification Search**  
USPC ..... D24/137, 138, 135, 133, 187, 144, 112  
CPC ..... A61B 1/00; A61B 1/00137; A61B 1/005;  
A61B 1/0014; A61B 1/0676; A61B  
1/0669; A61B 1/00121; A61B 1/00133;  
A61B 1/00071; A61B 1/00064; A61B  
1/00068; A61B 1/00112; A61B 1/0125;  
A61B 17/3478

See application file for complete search history.

(56) **References Cited**

**U.S. PATENT DOCUMENTS**

D423,670 S \* 4/2000 Scheuble ..... D24/130  
D526,411 S \* 8/2006 Easley ..... D24/133  
D530,818 S \* 10/2006 Lin ..... D24/138

D645,561 S *	9/2011	Herrmann	.....	D24/138
D715,434 S *	10/2014	Darian	.....	D24/144
D745,687 S *	12/2015	Kitayama	.....	D24/187
D819,217 S *	5/2018	Harada	.....	D24/187
D831,834 S *	10/2018	Bader	.....	D24/187
D837,391 S *	1/2019	Naka	.....	D24/187
D842,482 S *	3/2019	Harada	.....	D24/187
D850,629 S *	6/2019	Naka	.....	D24/187
2013/0060087 A1 *	3/2013	Yoshida	.....	A61B 1/00045 600/112

\* cited by examiner

*Primary Examiner* — Eliza Z Bennett-Hattan

(74) *Attorney, Agent, or Firm* — Sughrue Mion, PLLC

(57) **CLAIM**

The ornamental design for a scanning device for ultrasonic probe, as shown and described.

**DESCRIPTION**

FIG. 1 is a top, front and right side perspective view of a scanning device for ultrasonic probe showing our new design;

FIG. 2 is a bottom, rear and right side perspective view thereof;

FIG. 3 is a front elevational view thereof;

FIG. 4 is a rear elevational view thereof;

FIG. 5 is a top plan view thereof;

FIG. 6 is a bottom plan view thereof;

FIG. 7 is a left side elevational view thereof;

FIG. 8 is a view of the scanning device for ultrasonic probe in an environment of use; and,

FIG. 9 is a view of the scanning device for ultrasonic probe in an alternative environment of use.

The broken lines are for the purpose of illustrating unclaimed environmental subject matter only and form no part of the claimed design.

**1 Claim, 8 Drawing Sheets**

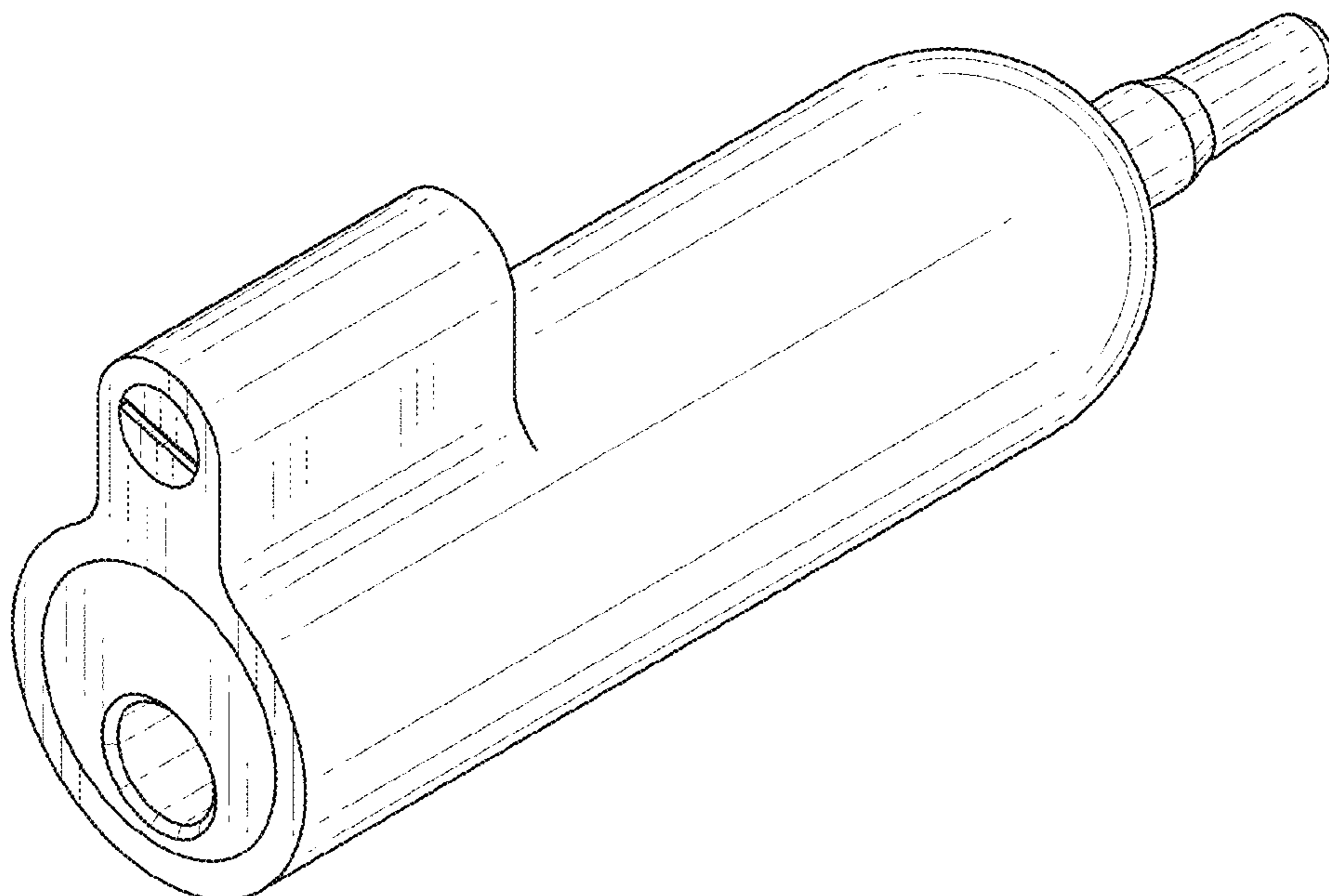


FIG. 1

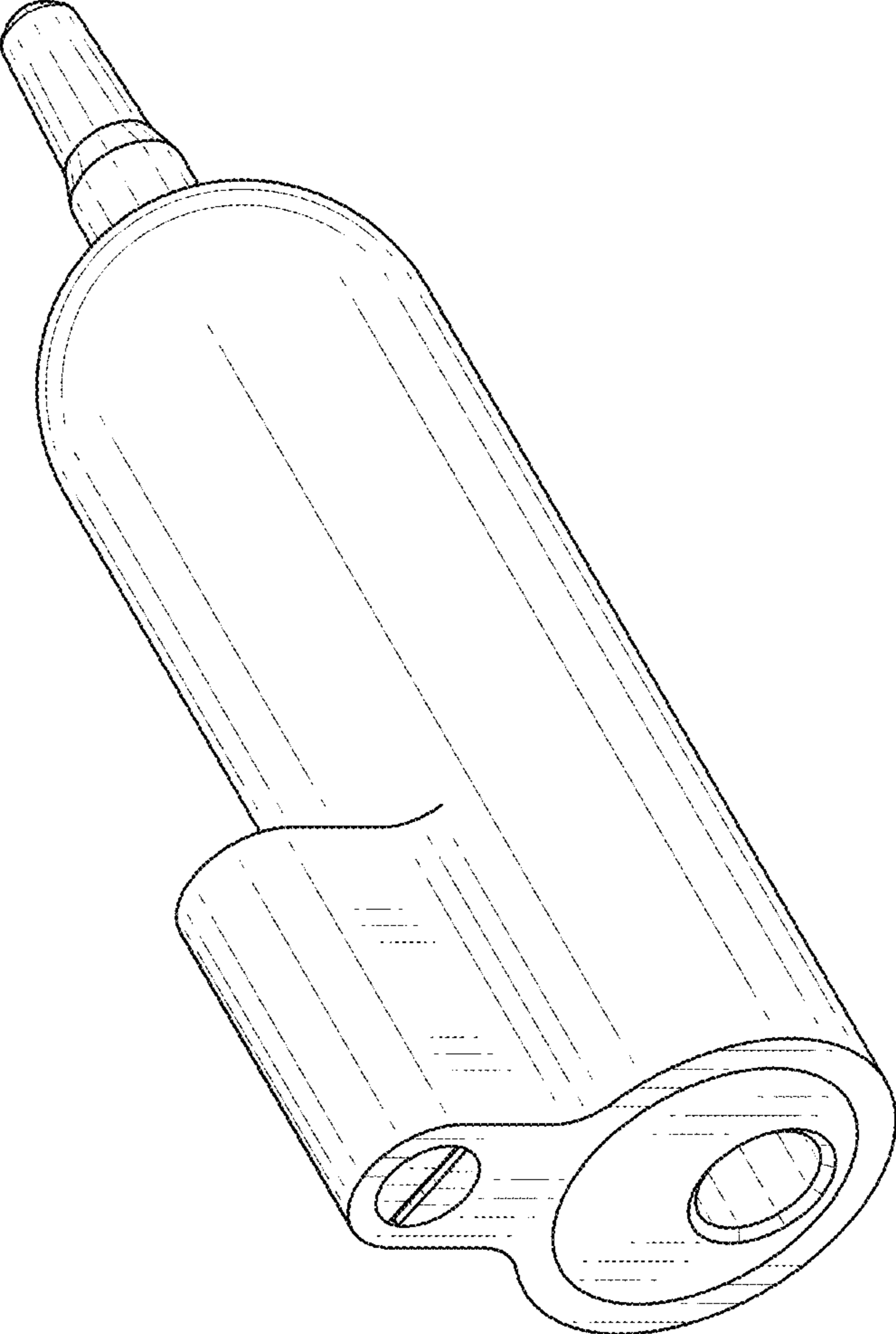


FIG. 2

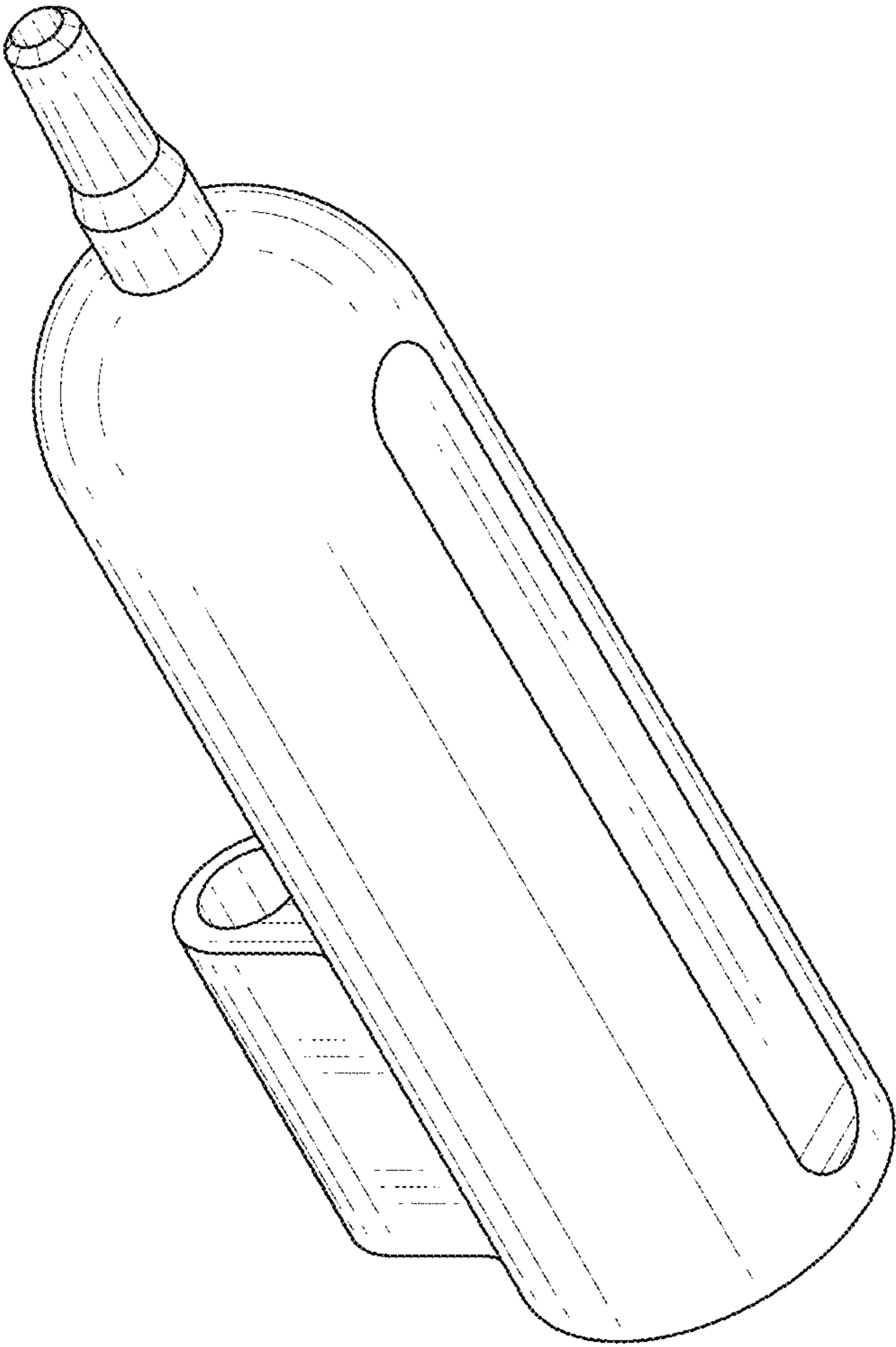


FIG. 3

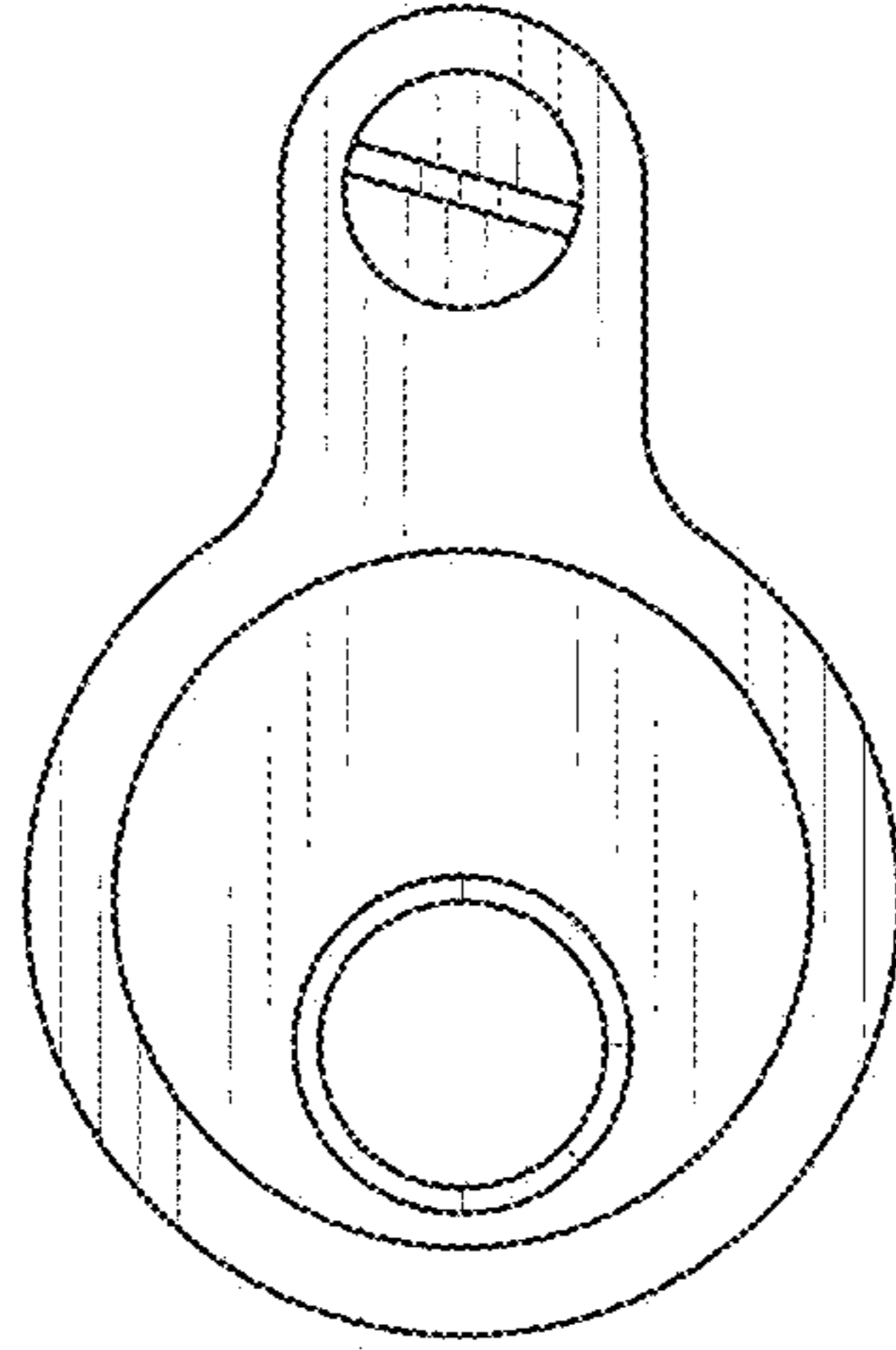


FIG. 4

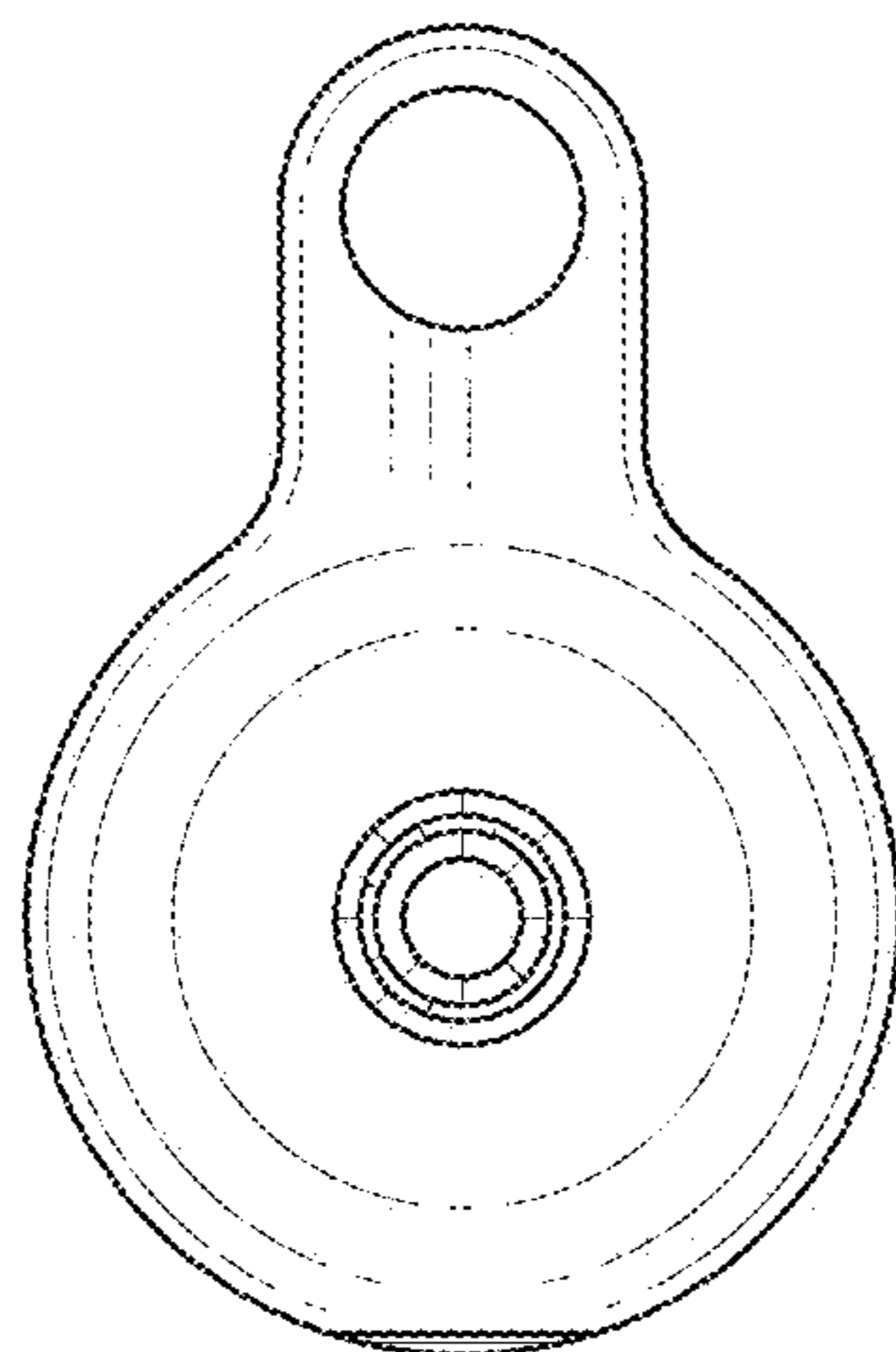


FIG. 5

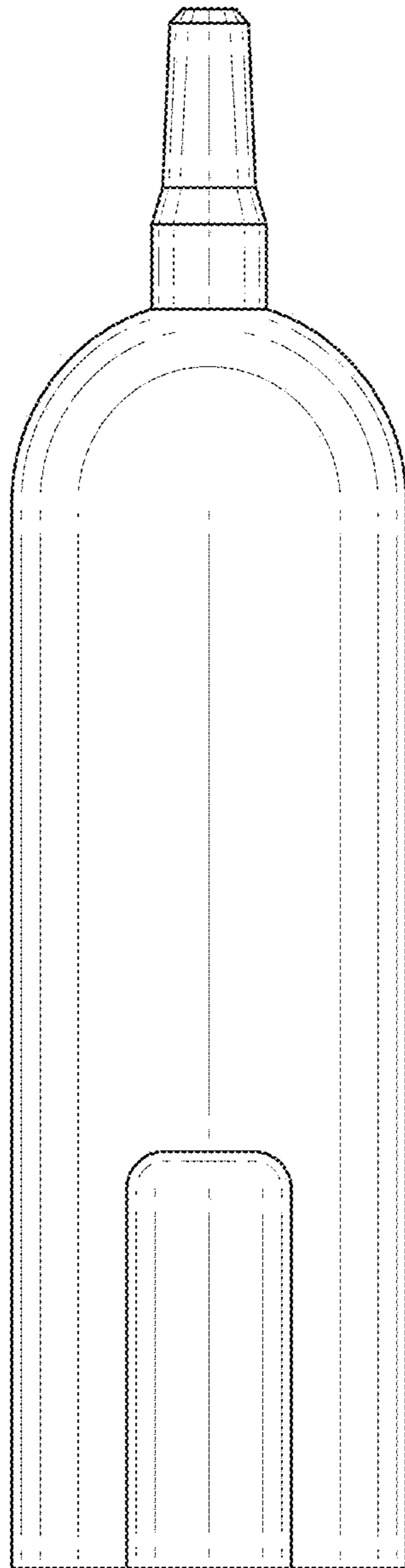


FIG. 6

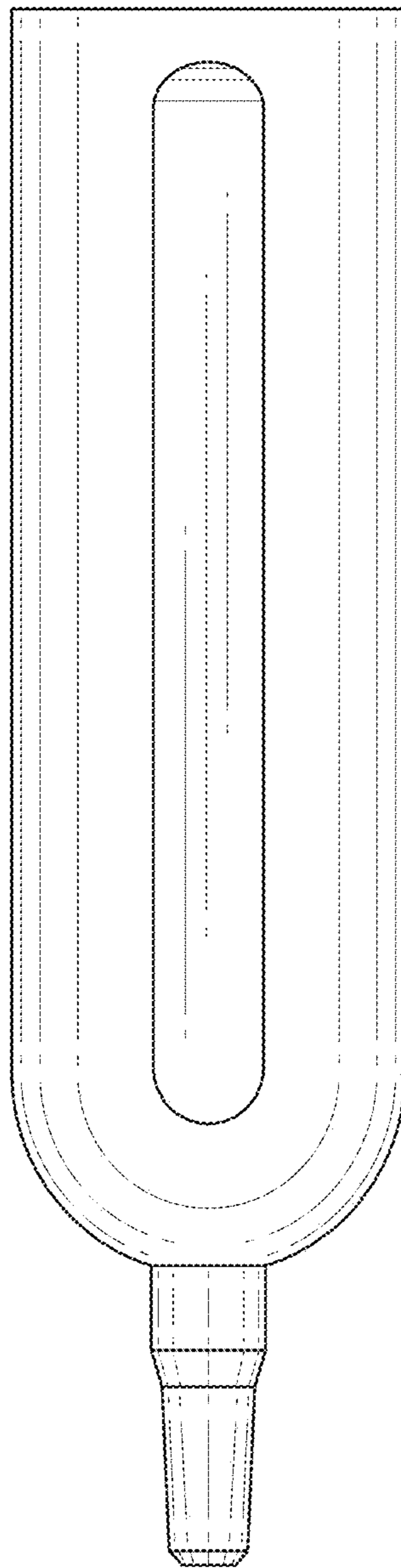




FIG. 7

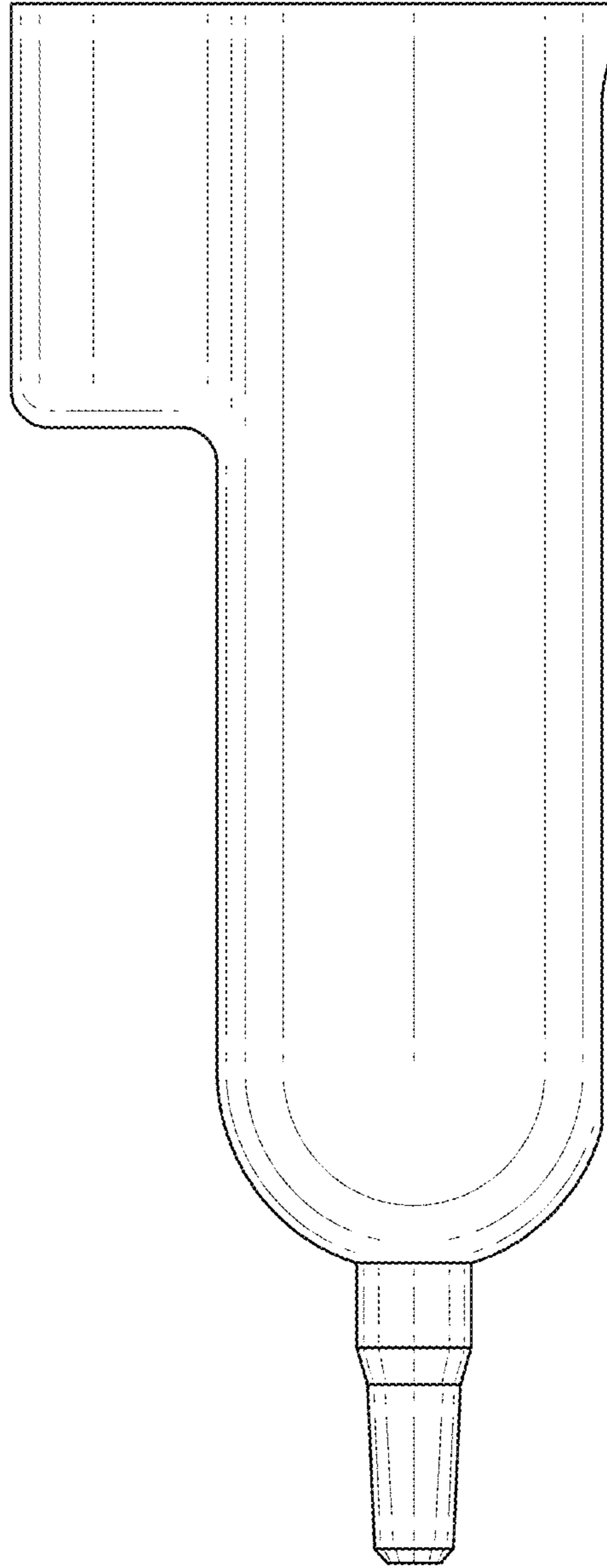


FIG. 8

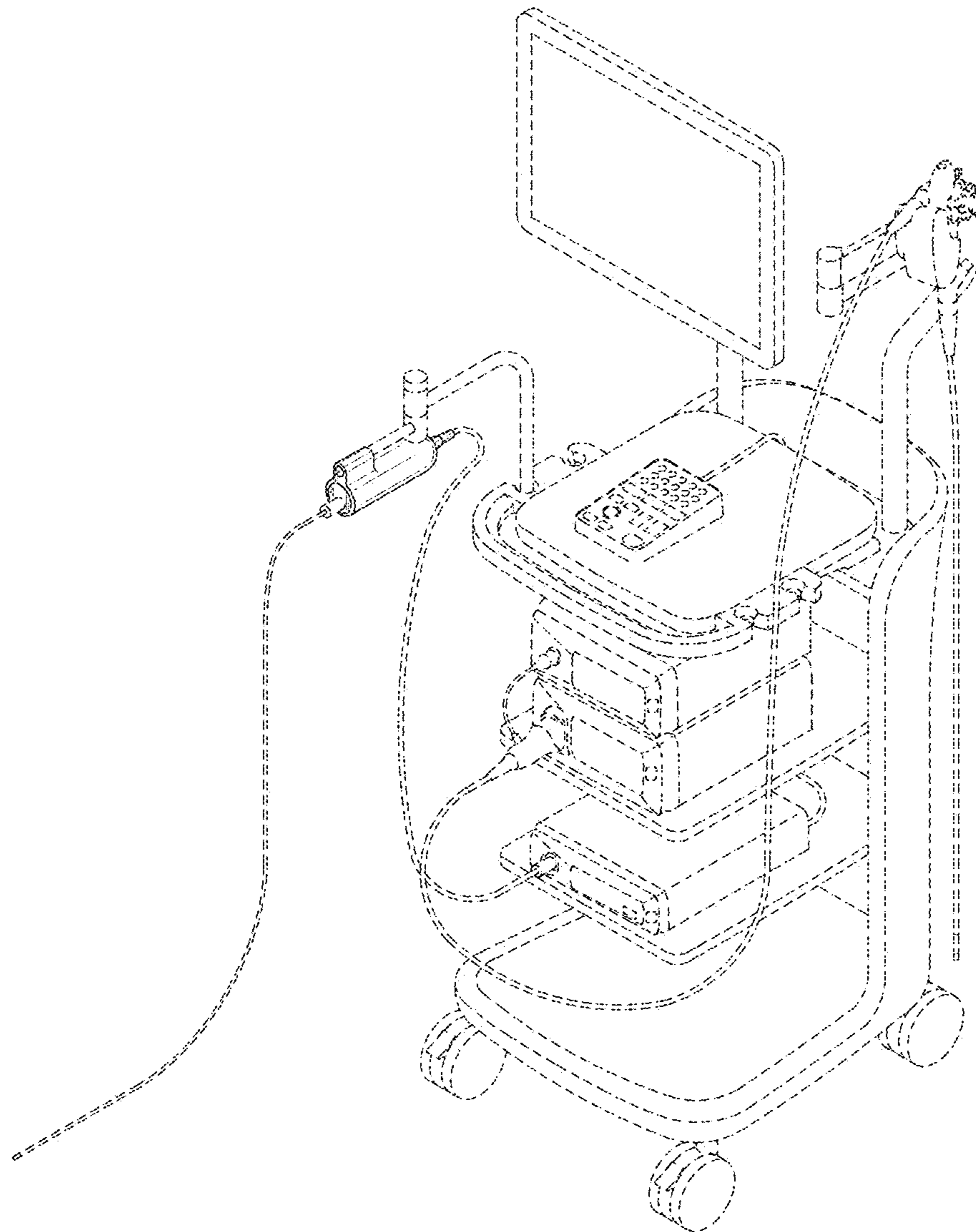




FIG. 9

