

US00D875928S

(12) **United States Design Patent**  
**Zagatsky et al.**

(10) **Patent No.:** **US D875,928 S**

(45) **Date of Patent:** **\*\* \*Feb. 18, 2020**

(54) **HANDLE FOR A RICHARDSON STYLE  
SURGICAL RETRACTOR**

D658,286 S \* 4/2012 Ryshkus ..... D24/135  
D718,602 S \* 12/2014 Musser ..... D8/107  
D719,808 S \* 12/2014 Musser ..... D8/107

(Continued)

(71) Applicant: **Invuity, Inc.**, San Francisco, CA (US)

*Primary Examiner* — Jeffrey D Asch

(72) Inventors: **Vladimir Zagatsky**, San Francisco, CA (US); **Michael Pizzato**, San Francisco, CA (US); **Thomas Erik Meyerhoffer**, Montara, CA (US); **Michael Caroselli**, Montara, CA (US)

*Assistant Examiner* — Rebekah A Caruso

(74) *Attorney, Agent, or Firm* — McDonnell Boehnen Hulbert & Berghoff LLP

(73) Assignee: **Invuity, Inc.**, San Francisco, CA (US)

(57) **CLAIM**

The ornamental design for a handle for a Richardson style surgical retractor, as shown and described.

(\* ) Notice: This patent is subject to a terminal disclaimer.

**DESCRIPTION**

(\*\*) Term: **15 Years**

FIG. 1 is a front perspective view of a first embodiment of a handle for a Richardson style surgical retractor showing our new design;

(21) Appl. No.: **29/593,202**

FIG. 2 is a rear perspective view thereof;

(22) Filed: **Feb. 7, 2017**

FIG. 3 is a left side elevational view thereof;

(51) **LOC (12) Cl.** ..... **24-02**

FIG. 4 is right side elevational view thereof;

(52) **U.S. Cl.**

FIG. 5 is a rear elevational view thereof;

USPC ..... **D24/135**

FIG. 6 is a front elevational view thereof;

(58) **Field of Classification Search**

FIG. 7 is a top plan view thereof;

USPC ..... D24/133, 135, 136, 140, 143, 150, 151, D24/152, 176, 142; 600/210, 217, 235, 600/237, 201, 214, 240; 606/191; 433/140, 141; D10/55, 56, 57; D7/648, D7/669, 682, 393, 394; D8/16, 40, 88, D8/89, 107, 300

FIG. 8 is a bottom plan view thereof;

CPC . A61B 17/02; A61B 17/0206; A61B 17/0218; A61B 1/00; A61B 1/32

FIG. 9 is a front perspective view of a second embodiment of FIG. 1, the only difference being that the inner central channel is not included, it being understood that all other surfaces are the same as those of the first embodiment; FIG. 10 is a rear perspective view of the embodiment in FIG. 9;

See application file for complete search history.

FIG. 11 is a top plan view of the embodiment in FIG. 9; and, FIG. 12 is a right side elevational view of the embodiment in FIG. 9.

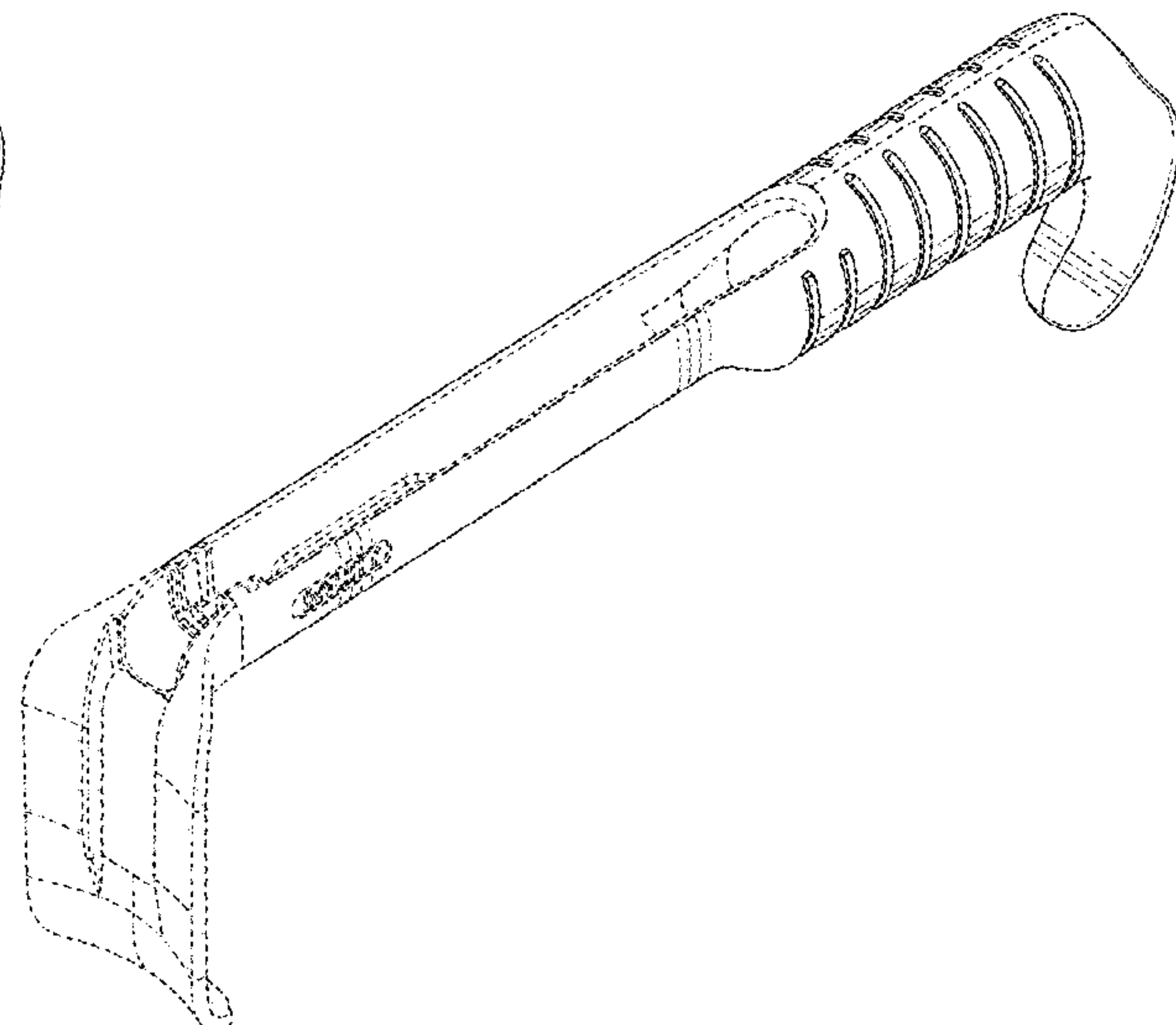
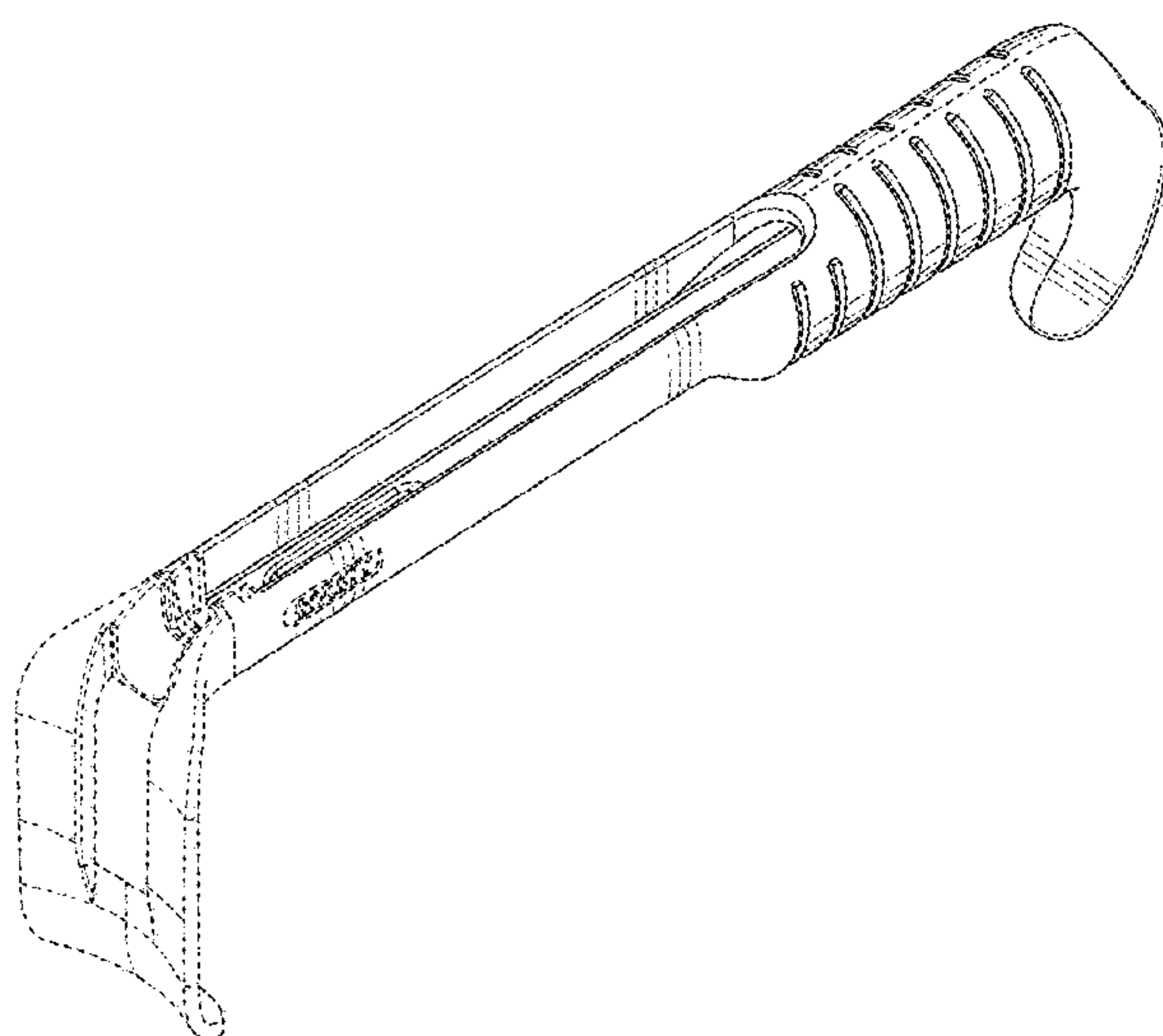
(56) **References Cited**

The broken lines shown in the drawings are included for illustrating portions of the handle for a Richardson style surgical retractor that form no part of the embodiment in which they are shown. The dash-dot-dash broken lines represent the bounds of the embodiment in which they are shown and form no part thereof.

**U.S. PATENT DOCUMENTS**

D495,417 S \* 8/2004 Doelling ..... D24/133  
D568,471 S \* 5/2008 Engler ..... D24/135  
D579,745 S \* 11/2008 Huang ..... D8/107

**1 Claim, 12 Drawing Sheets**



(56)

**References Cited**

U.S. PATENT DOCUMENTS

D727,124	S *	4/2015	Oas	.....	D8/31
9,718,130	B1 *	8/2017	Vayser	.....	B22F 5/04
D851,247	S *	6/2019	Kaverina	.....	D24/135
D851,761	S *	6/2019	Kaverina	.....	D24/135
2012/0116170	A1 *	5/2012	Vayser	.....	A61B 1/0676
					600/203
2013/0267786	A1 *	10/2013	Vayser	.....	A61B 1/32
					600/205
2017/0035404	A1 *	2/2017	Foster	.....	A61B 17/02
2017/0196652	A1 *	7/2017	Vayser	.....	A61B 90/30
2018/0014900	A1 *	1/2018	Vayser	.....	A61B 90/30

\* cited by examiner

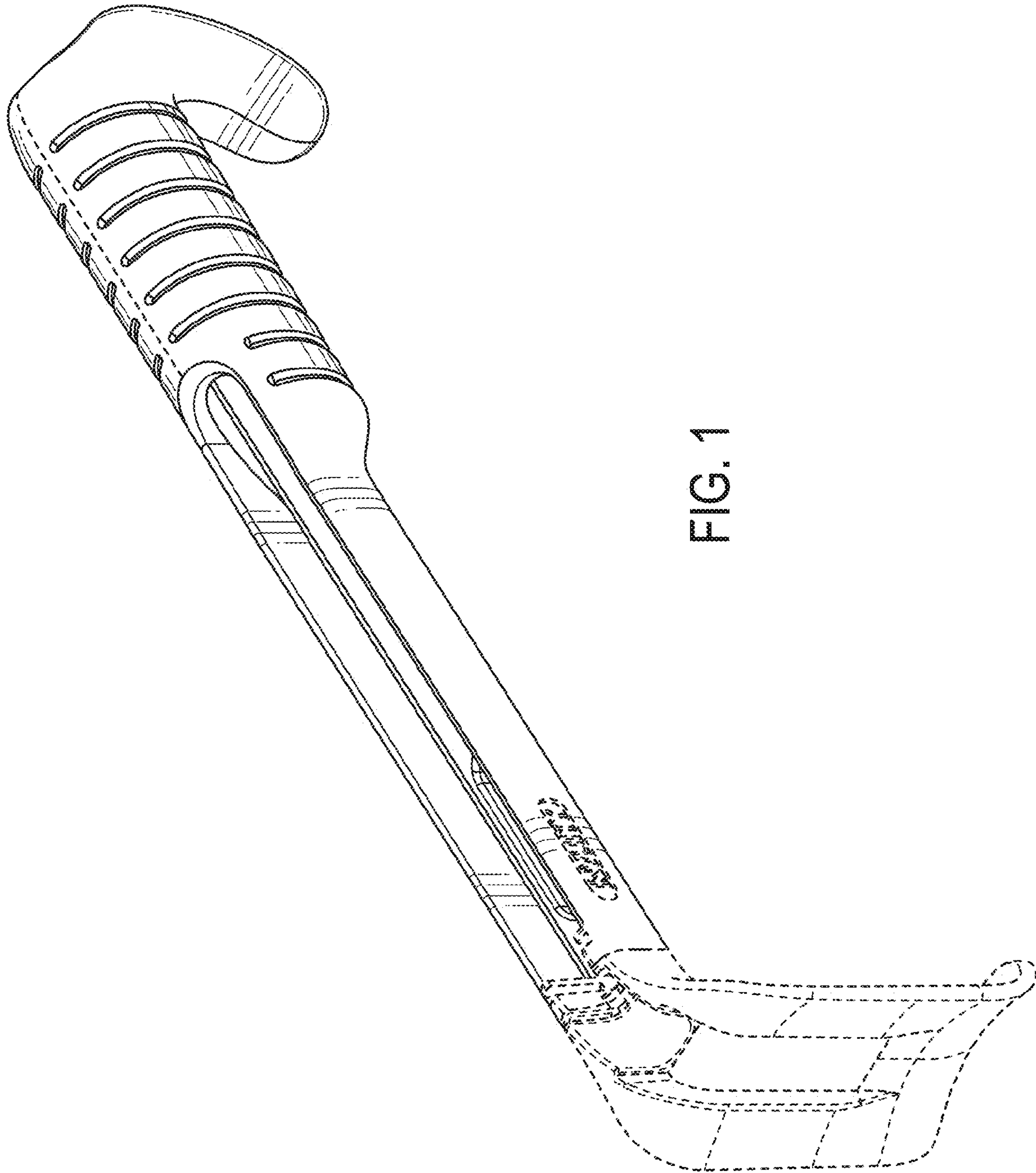


FIG. 1

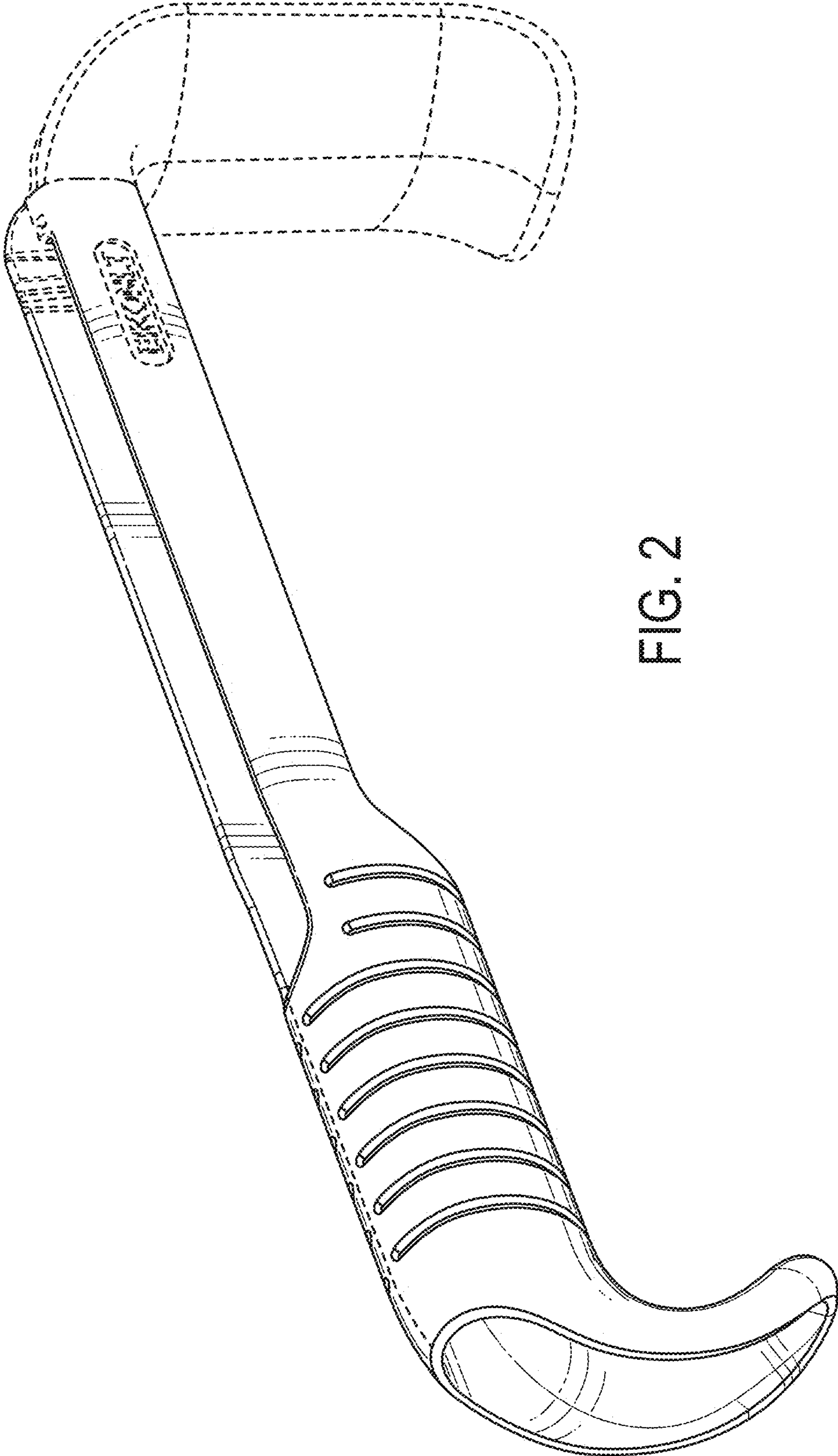


FIG. 2



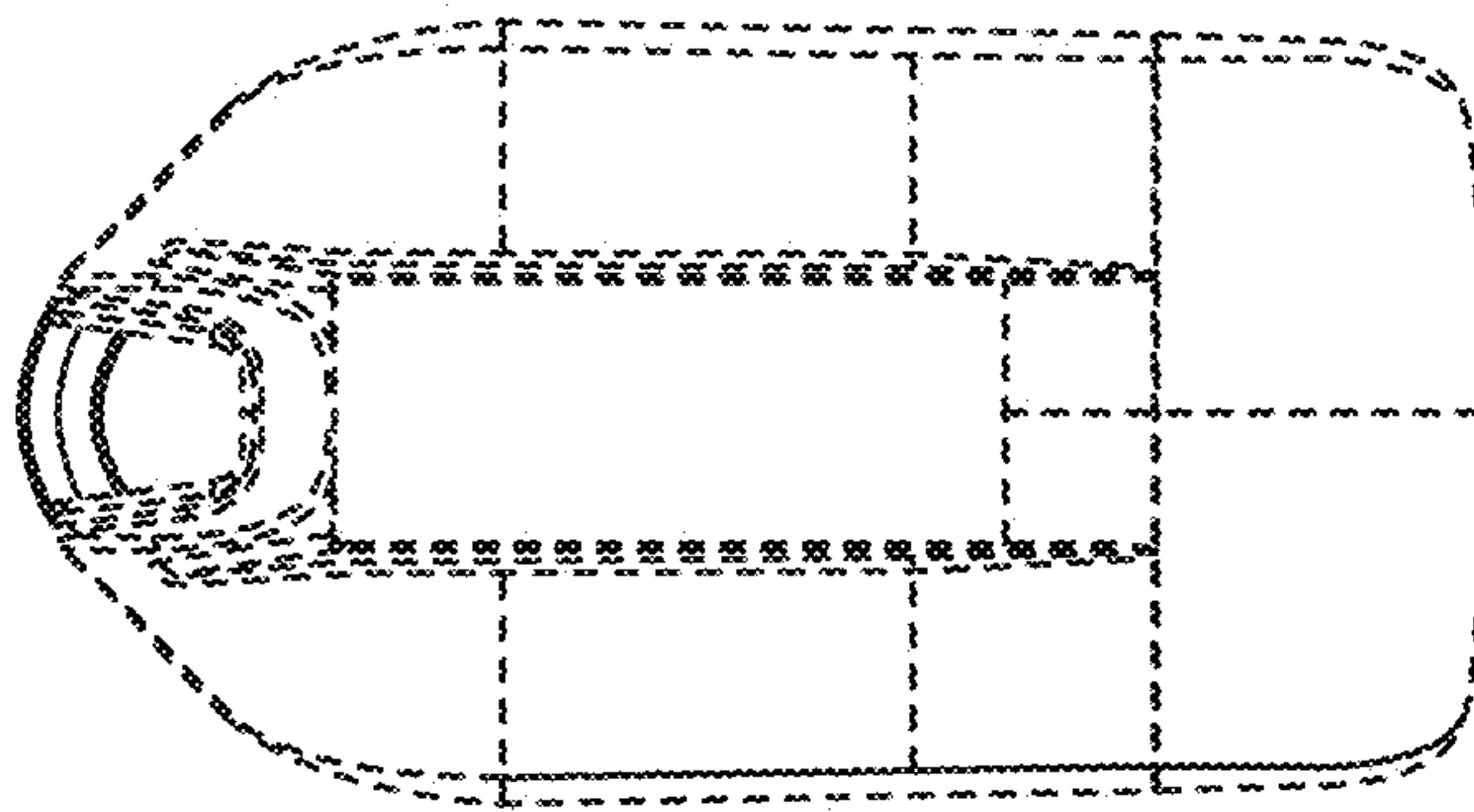


FIG. 3

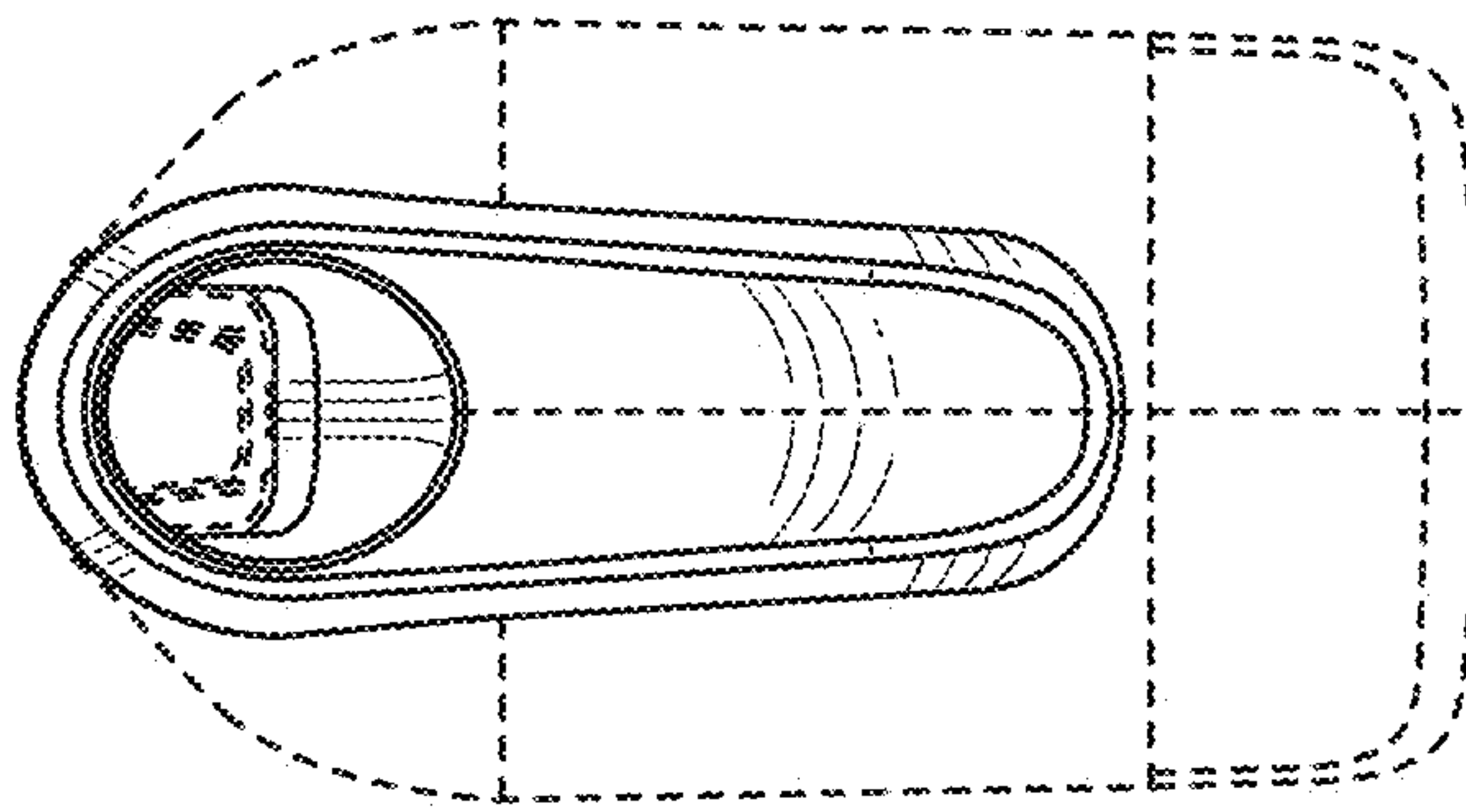


FIG. 4

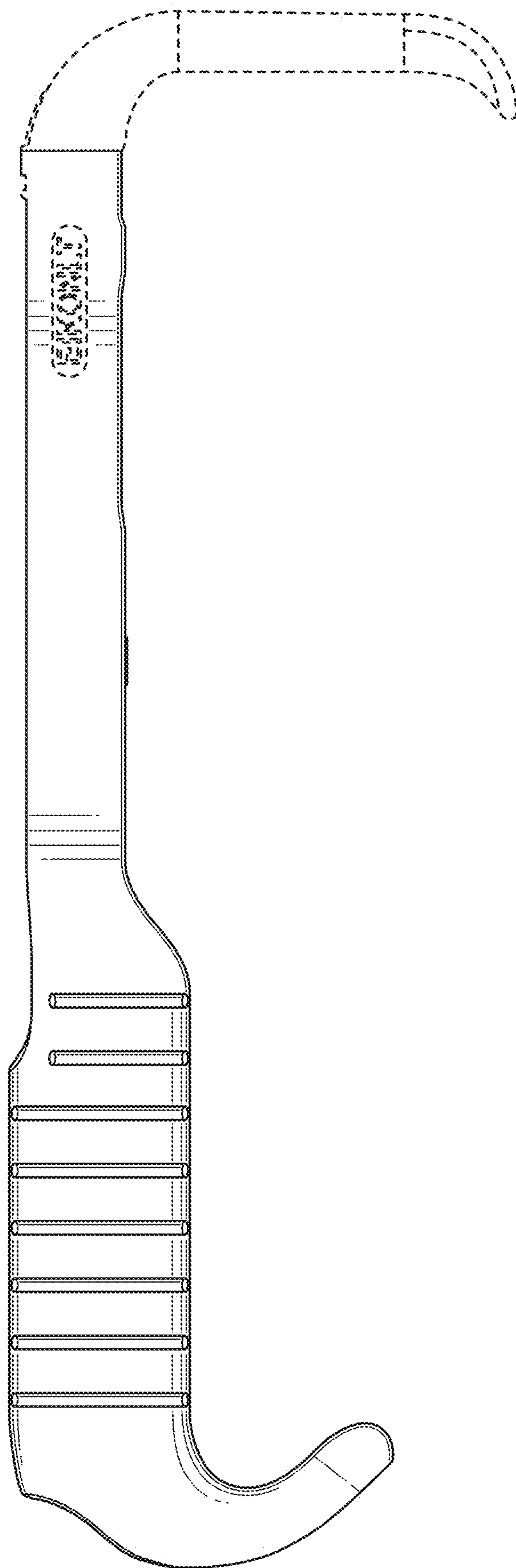


FIG. 5

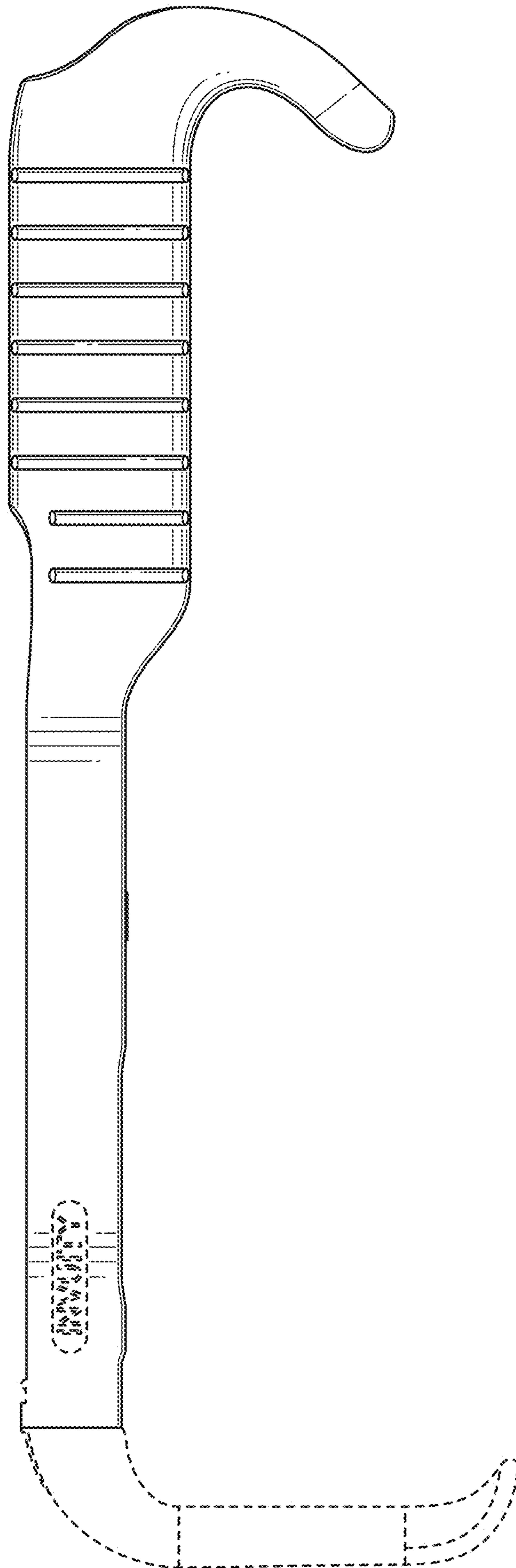


FIG. 6



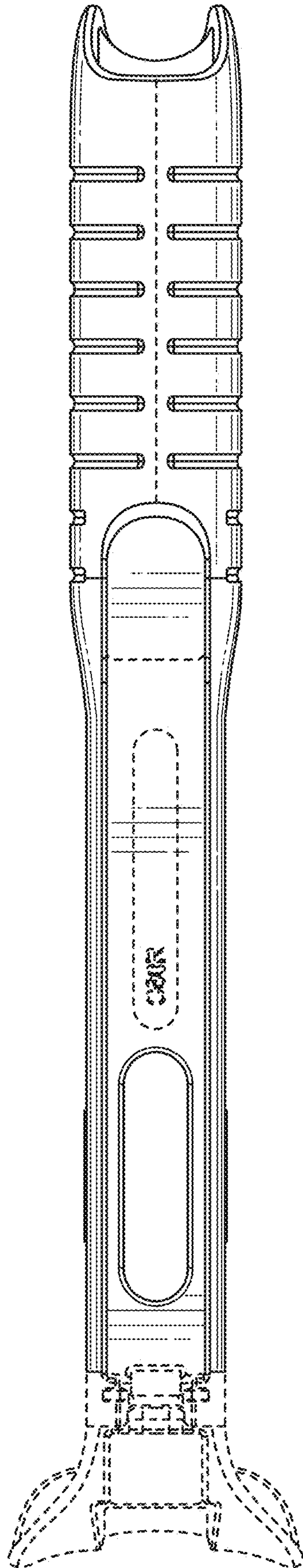


FIG. 7

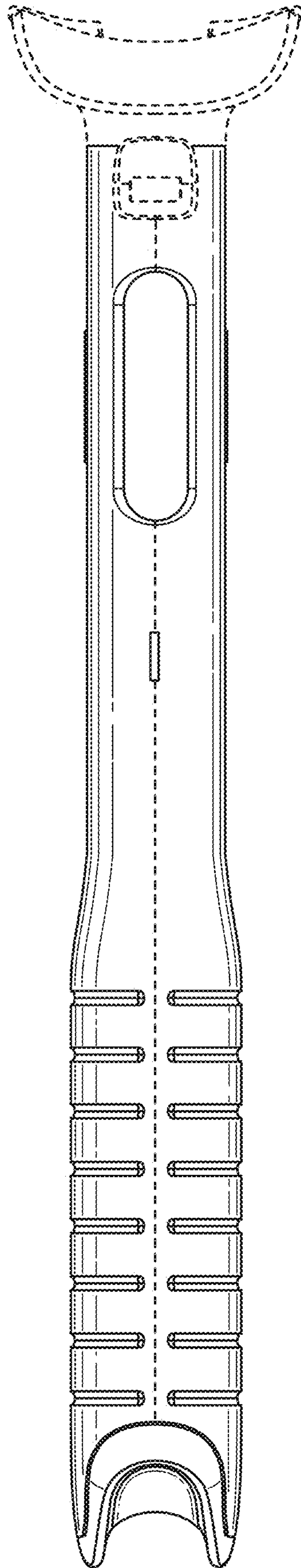


FIG. 8

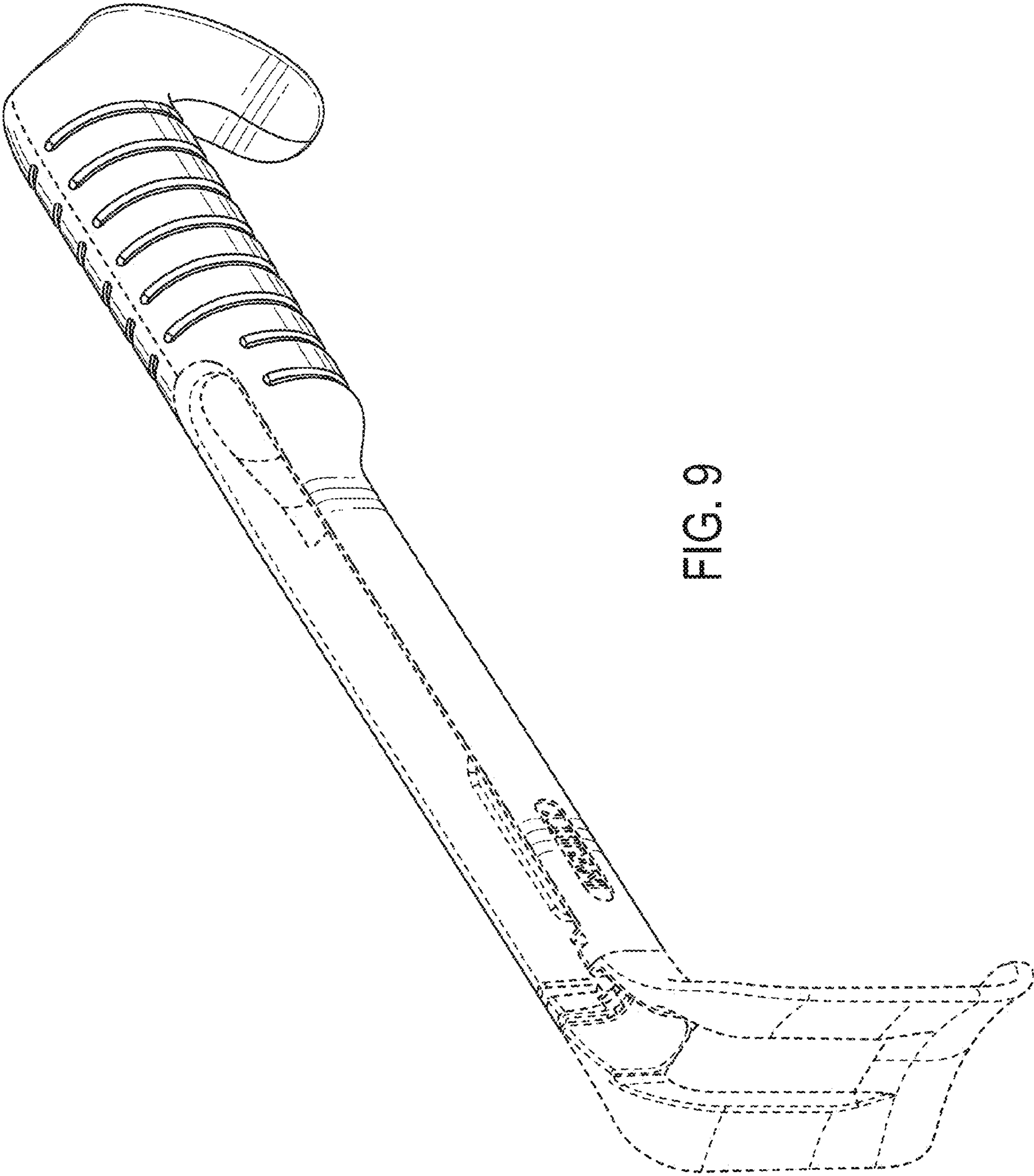


FIG. 9

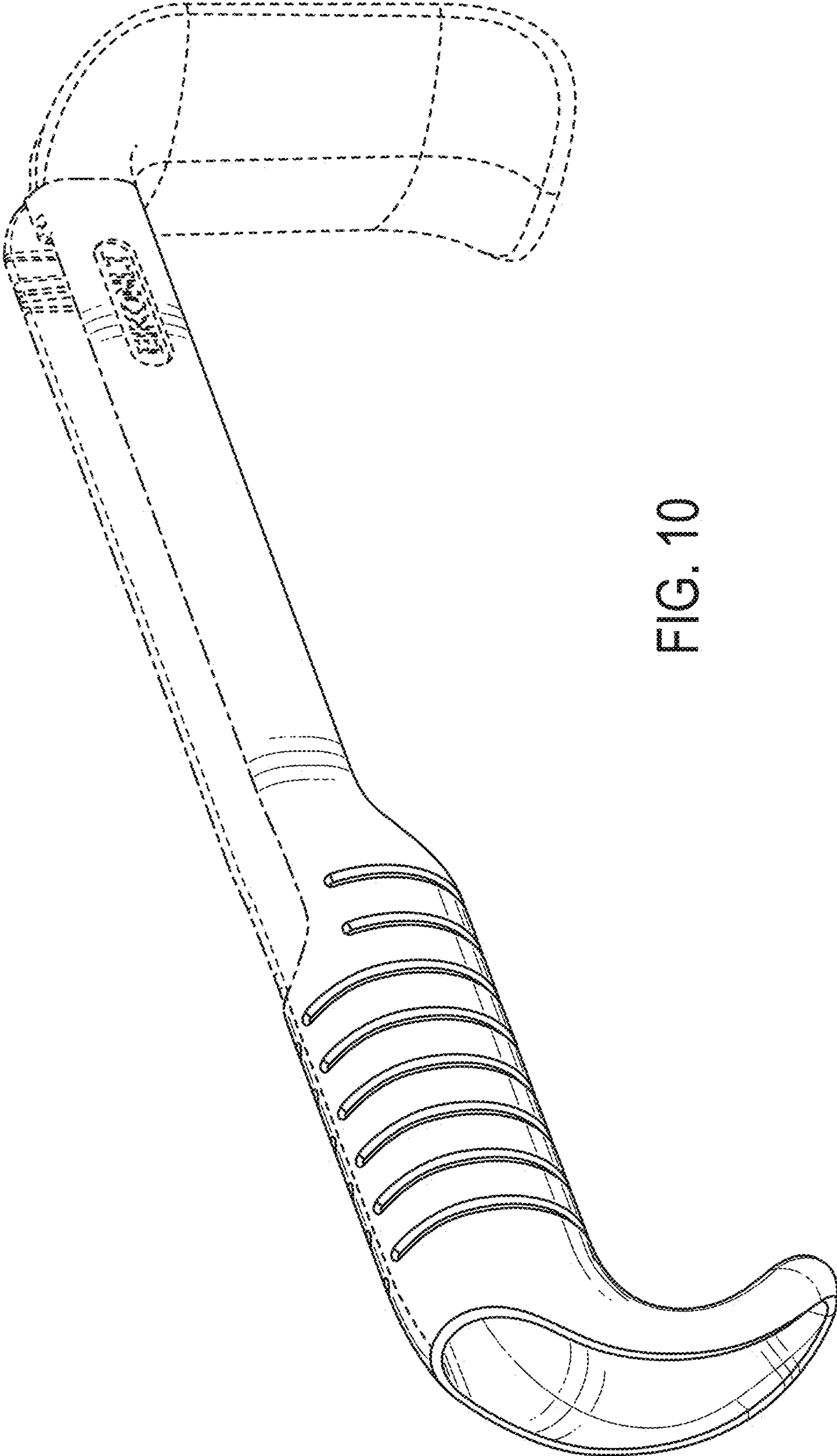


FIG. 10

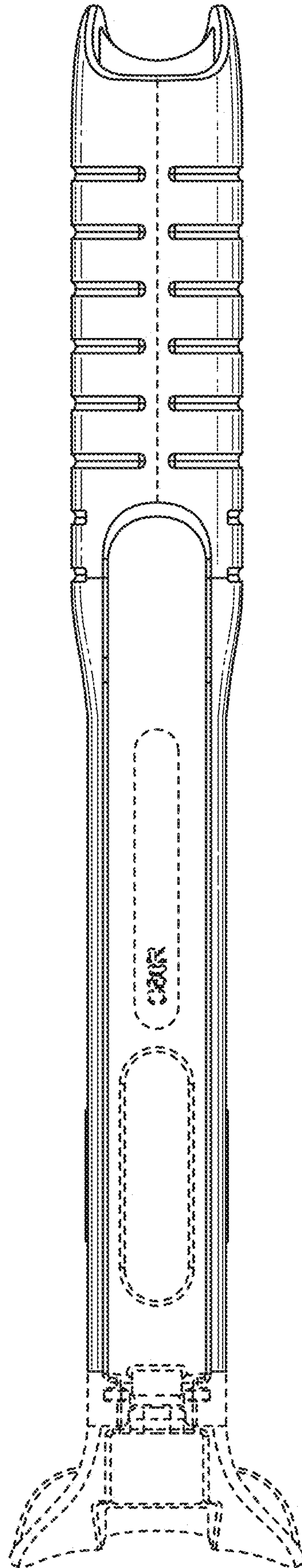


FIG. 11



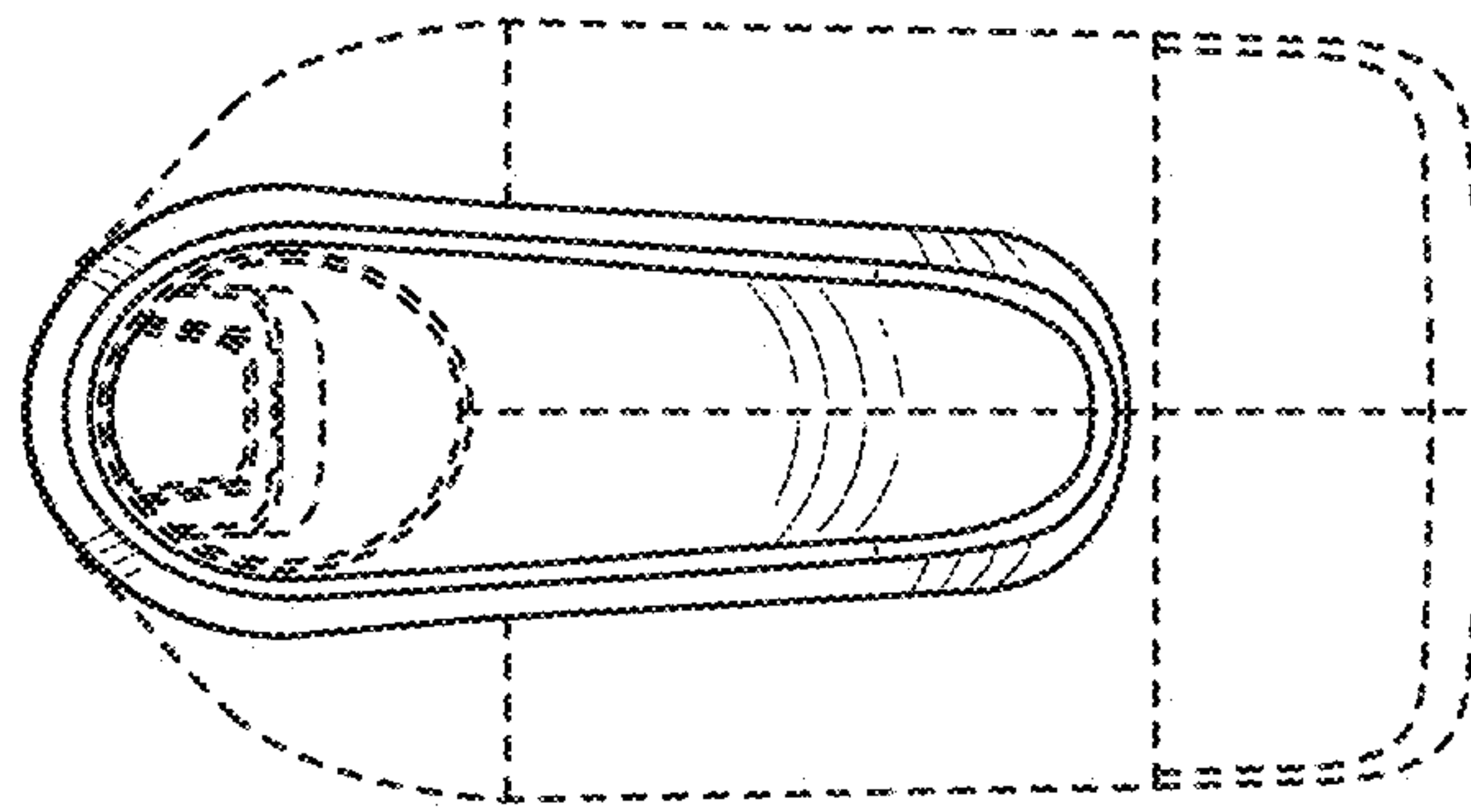


FIG. 12