



US00D875926S

(12) **United States Design Patent**
Lee et al.

(10) **Patent No.:** **US D875,926 S**
(45) **Date of Patent:** **** Feb. 18, 2020**

(54) **PORTABLE SUBSTANCE CONTAINER WITH APPLICATOR**

(71) Applicant: **HARMONY BIOSCIENCE INC.**, San Gabriel, CA (US)

(72) Inventors: **Tom Y. Lee**, San Gabriel, CA (US);
Shuo-Yen Chen, San Gabriel, CA (US)

(73) Assignee: **Harmony Bioscience Inc.**, San Gabriel, CA (US)

(**) Term: **15 Years**

(21) Appl. No.: **29/595,863**

(22) Filed: **Mar. 2, 2017**

(51) **LOC (12) Cl.** **24-02**

(52) **U.S. Cl.**
USPC **D24/133**

(58) **Field of Classification Search**
USPC D24/127-131, 112-114, 133, 186, 222,
D24/233; 606/181, 185; 604/264,
604/523-528, 272, 187, 158,
604/164.01-164.11, 181, 184, 227;
600/101, 139, 143; 128/200.24, 270.14,
128/207.15
CPC A61M 5/158; A61M 3/00; A61M 5/20;
A61M 5/31; A61M 5/3146
See application file for complete search history.

(56) **References Cited**

U.S. PATENT DOCUMENTS

9,066,656 B2 * 6/2015 Irion A61B 1/00071
D737,973 S * 9/2015 Nagele D24/146
D764,701 S * 8/2016 Malhi D27/101
D779,059 S * 2/2017 Nino D24/133

D795,424 S * 8/2017 Sloss D24/138
D798,446 S * 9/2017 Nino D24/133
D805,202 S * 12/2017 Erskine-Smith D24/152
D854,148 S * 7/2019 Prinz D24/133
D856,511 S * 8/2019 Kelly D24/112
D859,651 S * 9/2019 Harding D24/130
D859,652 S * 9/2019 Teufel D24/133
2016/0353973 A1 * 12/2016 Mirza A61B 1/00032
2019/0192776 A1 * 6/2019 Alexandersson ... A61M 5/2033

* cited by examiner

Primary Examiner — Ian Simmons

Assistant Examiner — Yolanda Robinson

(74) *Attorney, Agent, or Firm* — Lewis Roca Rothgerber
Christie LLP

(57) **CLAIM**

The ornamental design for a portable substance container with applicator, as shown and described.

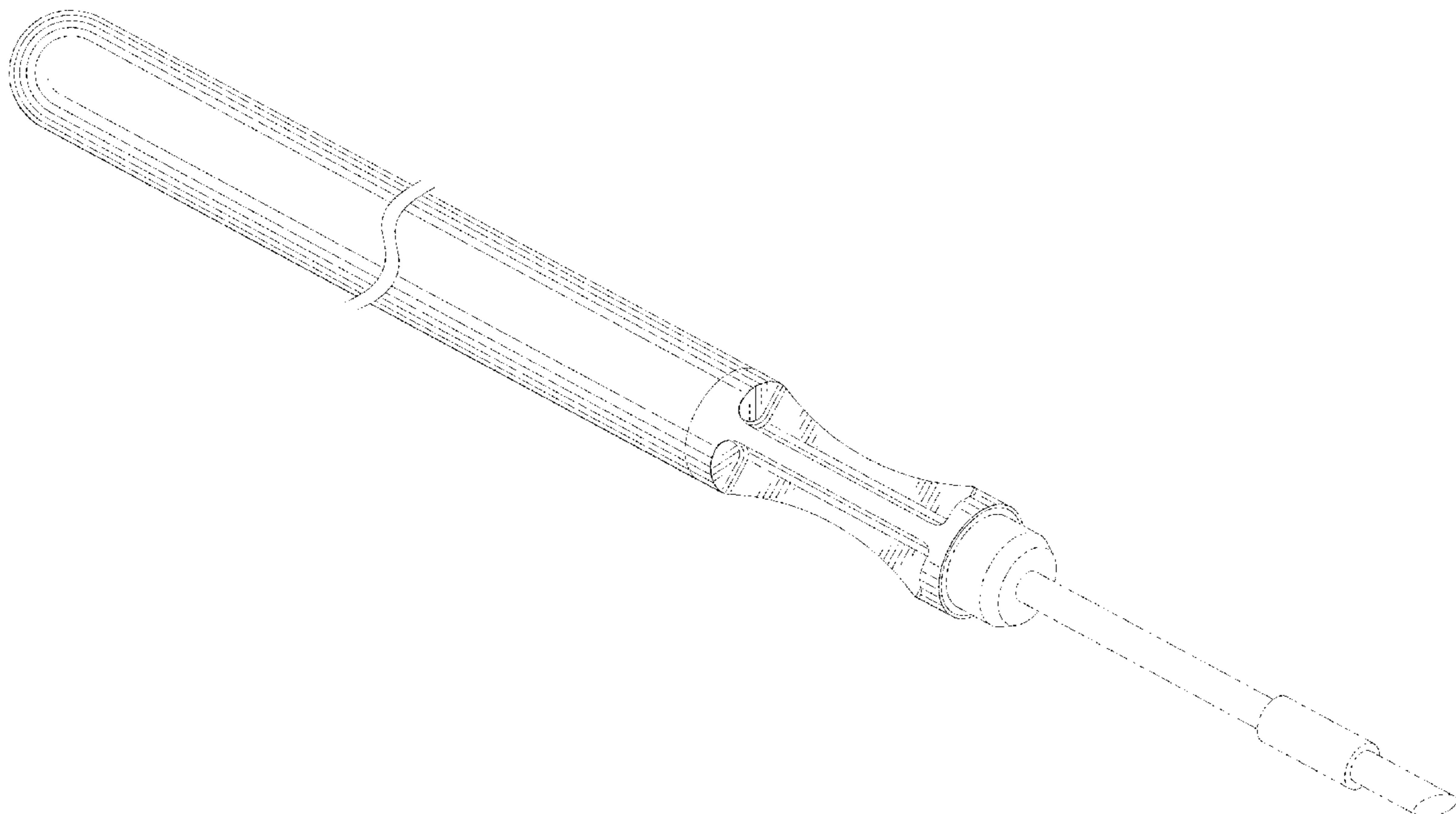
DESCRIPTION

FIG. 1 is a perspective view of a portable substance container with applicator showing our new design, FIG. 2 is a top plan view thereof, FIG. 3 is a side view thereof, FIG. 4 is a bottom plan view thereof, FIG. 5 back view thereof; and, FIG. 6 is a front view thereof.

The portable substance container with applicator is shown with a symbolic break in its length, with the understanding that the portions of the article not shown in the drawings form no part of the claim design.

The long dash, short dash, short dash, long dash broken lines shown in drawings represent portions of the portable substance container with applicator that form no part of the claimed design.

1 Claim, 2 Drawing Sheets



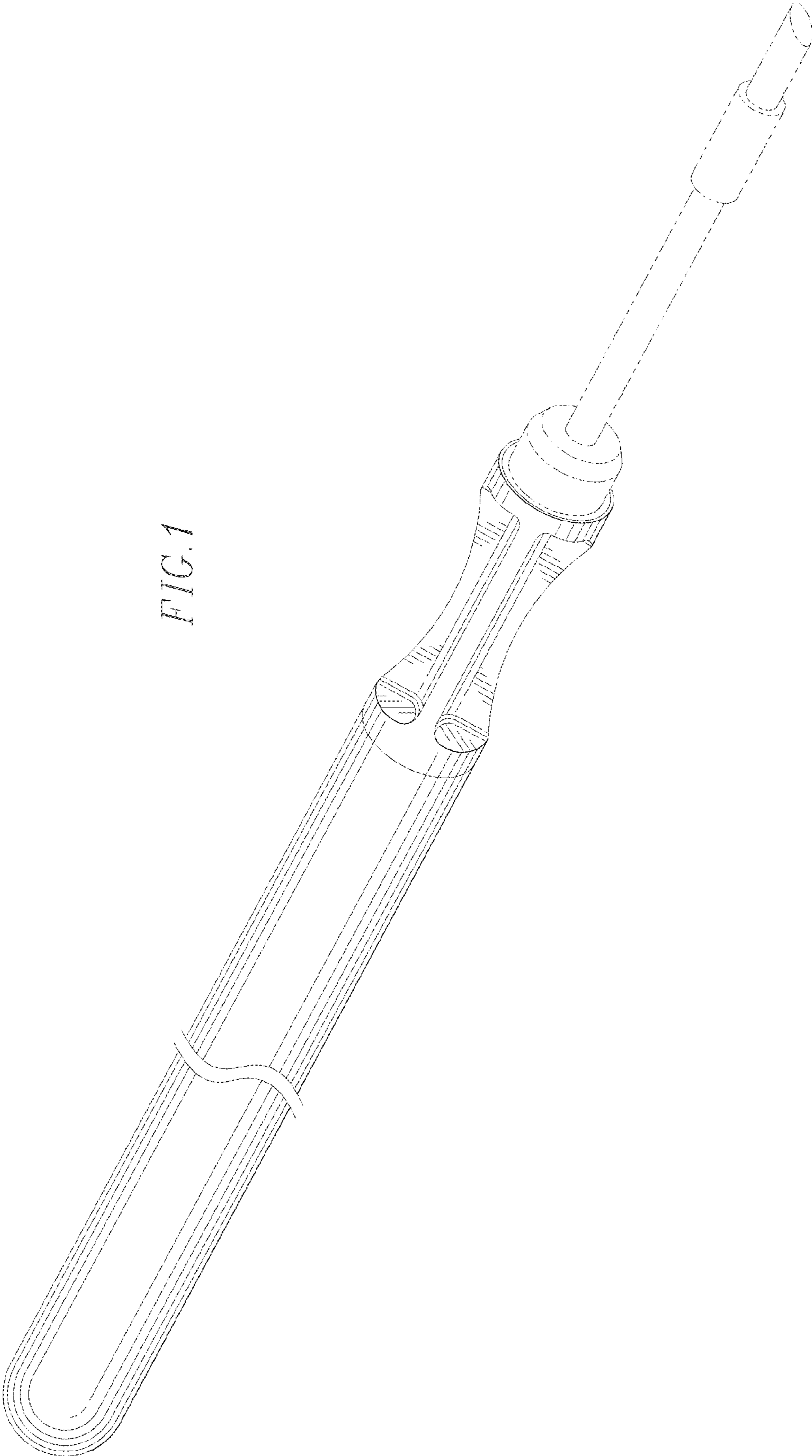


FIG. 2

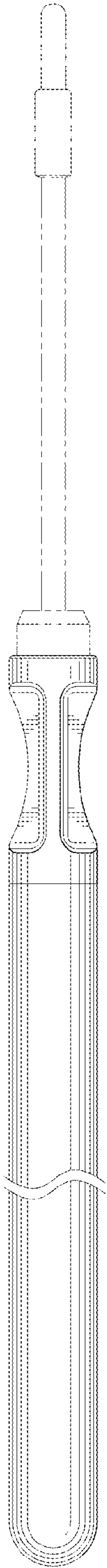


FIG. 3

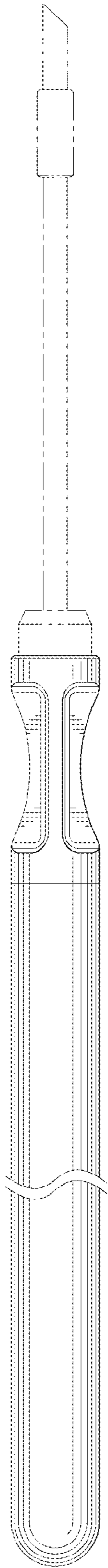


FIG. 4

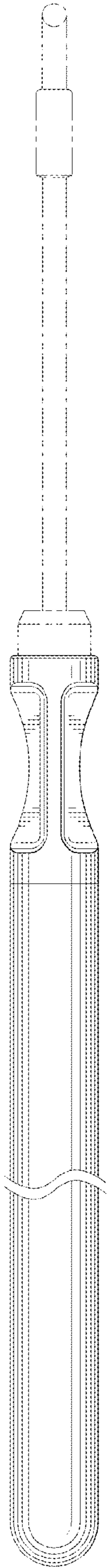


FIG. 5



FIG. 6

