



US00D875924S

(12) **United States Design Patent**
Prentice et al.

(10) **Patent No.:** **US D875,924 S**

(45) **Date of Patent:** **** *Feb. 18, 2020**

(54) **FACE MASK CUSHION**

(71) Applicant: **Fisher & Paykel Healthcare Limited**,
Auckland (NZ)

(72) Inventors: **Craig Robert Prentice**, Auckland (NZ);
Bernard Tsz Lun Ip, Auckland (NZ);
Mark Arvind McLaren, Auckland
(NZ); **Kyle Gregory Brown**, Auckland
(NZ); **Chris Onin Limpin Hipolito**,
Auckland (NZ); **Mark Richard**
Tomlinson, Auckland (NZ); **Melissa**
Catherine Bornholdt, Auckland (NZ)

(73) Assignee: **Fisher & Paykel Healthcare Limited**,
Auckland (NZ)

(*) Notice: This patent is subject to a terminal dis-
claimer.

(**) Term: **15 Years**

(21) Appl. No.: **29/686,949**

(22) Filed: **Apr. 9, 2019**

Related U.S. Application Data

(60) Continuation of application No. 29/653,378, filed on
Jun. 14, 2018, now Pat. No. Des. 849,931, which is a
continuation of application No. 29/622,639, filed on
Oct. 18, 2017, now Pat. No. Des. 824,022, which is a
division of application No. 29/540,684, filed on Sep.
25, 2015, now Pat. No. Des. 800,895.

(51) **LOC (12) Cl.** **29-02**

(52) **U.S. Cl.**
USPC **D24/110.4**

(58) **Field of Classification Search**
USPC D24/110-110.5, 127, 164

(Continued)

(56) **References Cited**

U.S. PATENT DOCUMENTS

4,522,369 A 6/1985 Ansite
4,630,604 A 12/1986 Montesi

(Continued)

OTHER PUBLICATIONS

Fisher & Paykel Announces Eson 2 Mask at Investor Day. Sleep
Review. Oct. 12, 2015. <<http://www.sleepreviewmag.com/2015/10/fisher-paykel-announces-eson-2-mask-investor-day/>>.

(Continued)

Primary Examiner — Lilyana Bekic

(74) *Attorney, Agent, or Firm* — Knobbe, Martens, Olson
& Bear LLP

(57) **CLAIM**

The ornamental design for a face mask cushion, as shown
and described.

DESCRIPTION

FIG. 1 is a top, front and left side perspective view of a first
embodiment of a face mask cushion embodying our new
design;

FIG. 2 is a top, rear and left side perspective view thereof;

FIG. 3 is a front view thereof;

FIG. 4 is a rear view thereof;

FIG. 5 is a left side view thereof;

FIG. 6 is a right side view thereof;

FIG. 7 is a top view thereof; and

FIG. 8 is a bottom view thereof.

FIG. 9 is a top, front and left side perspective view of a
second embodiment of a face mask cushion embodying our
new design;

FIG. 10 is a top, rear and left side perspective view thereof;

FIG. 11 is a front view thereof;

FIG. 12 is a rear view thereof;

FIG. 13 is a left side view thereof;

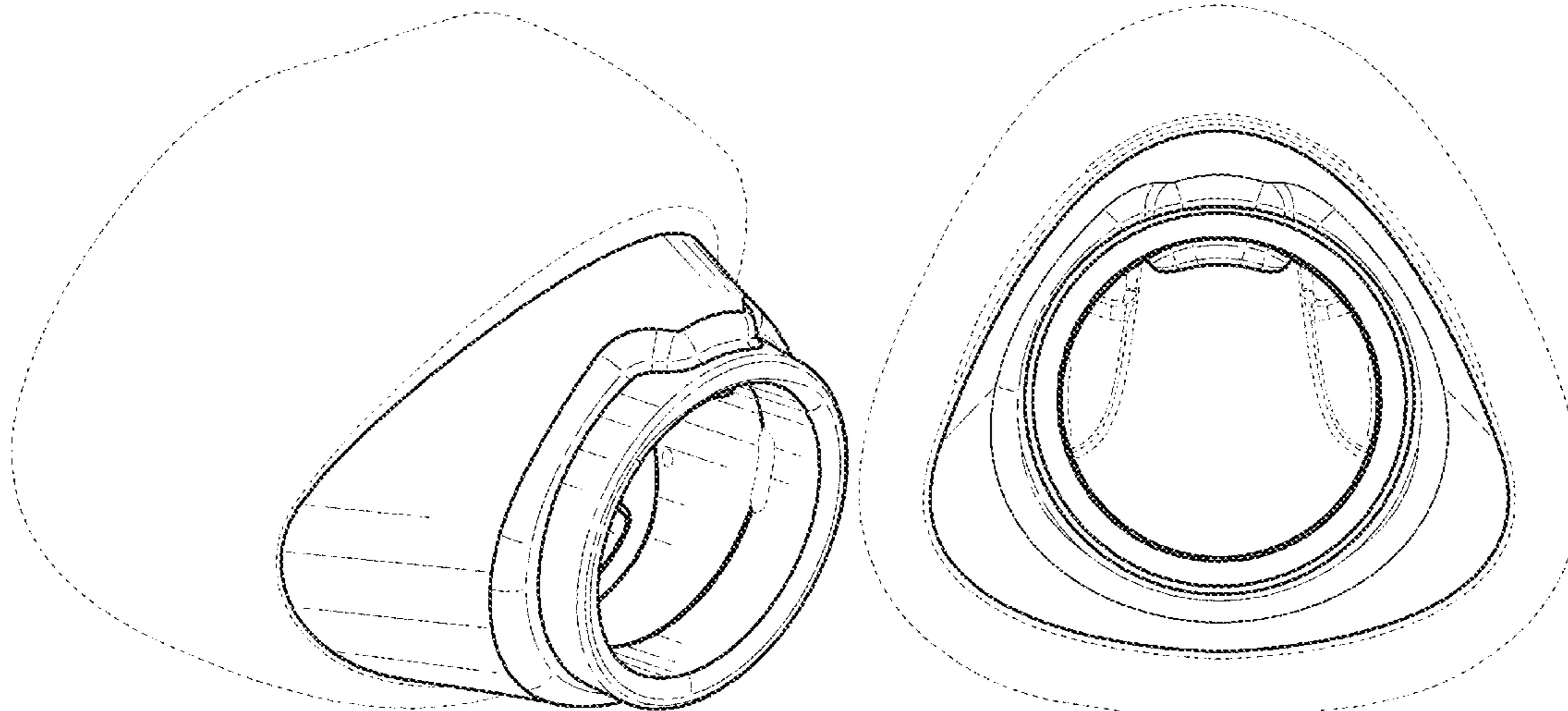
FIG. 14 is a right side view thereof;

FIG. 15 is a top view thereof; and,

FIG. 16 is a bottom view thereof.

Broken lines are used to illustrate portions of the face mask
cushion which form no part of the claimed design.

1 Claim, 16 Drawing Sheets



(58) **Field of Classification Search**
 CPC A61M 16/0683; A61M 16/0605; A61M 16/0622; A61M 16/06; A61M 16/0616; A61M 16/0661; A61M 16/0633; A61M 16/0644; A61M 16/0816; A61M 16/08; A61M 16/0666; A61M 2210/0618
 See application file for complete search history.

(56) **References Cited**
 U.S. PATENT DOCUMENTS

D383,204 S 9/1997 Lomas et al.
 D476,407 S 6/2003 Snyder
 6,631,718 B1 10/2003 Lovell et al.
 6,691,707 B1 2/2004 Gunaratnam et al.
 6,817,362 B2 11/2004 Gelinias et al.
 D504,947 S 5/2005 McAuley et al.
 D539,901 S 4/2007 McAuliffe et al.
 7,290,546 B2 11/2007 Sprinkle et al.
 D556,899 S 12/2007 Veliss et al.
 D579,105 S 10/2008 Jones et al.
 D597,202 S 7/2009 Reid et al.
 D619,449 S 7/2010 Smith
 7,793,987 B1 9/2010 Busch et al.
 D637,283 S 5/2011 Selvarajan et al.
 D651,304 S 12/2011 Edwards et al.
 D656,231 S 3/2012 Henry et al.
 D673,245 S 12/2012 Cooney
 D679,376 S 4/2013 Von Hollen et al.
 D679,377 S 4/2013 Von Hollen et al.
 D679,378 S 4/2013 Von Hollen et al.
 D683,447 S 5/2013 Olsen et al.
 D691,257 S 10/2013 Siew et al.
 D692,554 S 10/2013 Siew et al.
 D693,459 S 11/2013 Prentice
 D695,887 S 12/2013 Ozolins et al.
 D696,767 S 12/2013 Scheiner et al.
 D697,203 S 1/2014 Clarke et al.
 D706,413 S 6/2014 Veliss et al.
 8,789,525 B2 7/2014 Snow
 D717,945 S 11/2014 Neff et al.
 8,950,404 B2 2/2015 Formica et al.
 D740,934 S 10/2015 Formica et al.
 9,155,855 B2 10/2015 Tebbutt
 D748,242 S 1/2016 Campbell et al.
 D751,188 S 3/2016 Skipper et al.
 D752,199 S 3/2016 Berkman
 D753,813 S 4/2016 Ozolins et al.
 D754,328 S 4/2016 Bowsher
 D757,252 S 5/2016 Von Moger et al.
 D758,564 S 6/2016 Eves et al.
 D764,049 S 8/2016 Cullen et al.
 D767,750 S 9/2016 Nakai et al.
 D769,440 S 10/2016 Amarasinghe et al.
 D770,035 S 10/2016 Prentice et al.
 9,539,403 B2 1/2017 Eves et al.
 D779,652 S 2/2017 Nga et al.
 D782,030 S 3/2017 Prentice et al.
 D782,031 S 3/2017 Prentice et al.
 D782,032 S 3/2017 Prentice et al.
 D782,655 S 3/2017 Blanch et al.
 D784,516 S 4/2017 Prentice et al.
 9,707,368 B2 7/2017 McAuley et al.
 9,713,693 B2 7/2017 Parr et al.
 D797,277 S 9/2017 Blanch et al.
 D797,921 S 9/2017 Huang et al.
 D798,439 S 9/2017 Siew et al.
 D800,895 S 10/2017 Prentice et al.
 D801,500 S 10/2017 Prentice
 D809,132 S 1/2018 Bornholdt et al.
 9,878,118 B2 1/2018 Formica et al.
 D810,277 S 2/2018 Amarasinghe
 D823,455 S 7/2018 Bornholdt et al.
 D824,022 S 7/2018 Prentice
 D849,931 S * 5/2019 Prentice D24/110.1
 D851,749 S * 6/2019 Siew D24/110.1
 2002/0023649 A1 2/2002 Gunaratnam

2002/0026934 A1 3/2002 Lithgow
 2003/0196659 A1 10/2003 Gradon et al.
 2004/0035428 A1 2/2004 Olsen et al.
 2004/0083534 A1 5/2004 Ruiz
 2004/0112377 A1 6/2004 Amarasinghe
 2005/0126573 A1 6/2005 Jaffre et al.
 2006/0124131 A1 6/2006 Chandran
 2007/0175480 A1 8/2007 Gradon et al.
 2008/0192459 A1 8/2008 Kwok et al.
 2009/0194111 A1 8/2009 Fu et al.
 2010/0000538 A1 1/2010 Edwards et al.
 2010/0031963 A1 2/2010 Lee et al.
 2010/0059058 A1 3/2010 Kuo
 2011/0072553 A1 3/2011 Ho
 2011/0146685 A1 6/2011 Allan
 2011/0197341 A1 8/2011 Formica et al.
 2011/0290253 A1 12/2011 McAuley et al.
 2012/0204881 A1 8/2012 Davidson et al.
 2012/0234326 A1 9/2012 Mazzone et al.
 2012/0305001 A1 12/2012 Tatkov et al.
 2013/0152937 A1 6/2013 Jablonski et al.
 2013/0152938 A1 6/2013 Jablonski et al.
 2013/0239972 A1 9/2013 McAuley et al.
 2014/0090649 A1 4/2014 Groll et al.
 2014/0096774 A1 4/2014 Olsen et al.
 2014/0174446 A1 6/2014 Prentice
 2014/0216460 A1 8/2014 Bothma et al.
 2014/0236041 A1 8/2014 Gulliver et al.
 2014/0261427 A1 9/2014 Foote
 2014/0305433 A1 10/2014 Rothermel
 2014/0326246 A1 11/2014 Chodkowski et al.
 2014/0366882 A1 12/2014 Ng et al.
 2015/0000671 A1 1/2015 Frerichs et al.
 2015/0151069 A1 6/2015 Zeijlstra et al.
 2015/0174354 A1 6/2015 Matula, Jr. et al.
 2015/0174355 A1 6/2015 Willard
 2015/0202397 A1 7/2015 Pastoor et al.
 2015/0202402 A1 7/2015 Kat
 2015/0209540 A1 7/2015 Hendricks et al.
 2015/0246200 A1 9/2015 Neff, Jr. et al.
 2015/0306320 A1 10/2015 Markus
 2015/0328422 A1 11/2015 Chodkowski
 2015/0367092 A1 12/2015 Goff et al.
 2016/0008558 A1 1/2016 Huddart et al.
 2016/0067441 A1 3/2016 Salmon et al.
 2016/0067442 A1 3/2016 Salmon et al.
 2016/0082218 A1 3/2016 Lau et al.
 2016/0121067 A1 5/2016 VanMiddendorp et al.
 2016/0151596 A1 6/2016 Slight et al.
 2016/0220781 A1 8/2016 Arrowsmith et al.
 2016/0287915 A1 10/2016 Lenfeld et al.
 2016/0325067 A1 11/2016 Harwood et al.
 2016/0354572 A1 12/2016 Lim
 2017/0065786 A1 3/2017 Stephenson et al.
 2017/0087329 A1 3/2017 Huddart et al.
 2017/0232219 A1 8/2017 Dravitzki et al.
 2017/0239437 A1 8/2017 Scheirlink et al.
 2017/0246411 A1 8/2017 Mashal et al.
 2017/0281894 A1 10/2017 Walls et al.
 2017/0312470 A1 11/2017 Norsted
 2017/0326325 A1 11/2017 Allan et al.
 2017/0333657 A1 11/2017 Stephenson et al.
 2017/0368288 A1 12/2017 Stephens et al.
 2018/0133429 A1 5/2018 Reddy
 2018/0140797 A1 5/2018 Gunaratnam et al.
 2018/0185598 A1 7/2018 Olsen et al.
 2018/0185600 A1 7/2018 Jablonski
 2018/0207384 A1 7/2018 Zhou et al.
 2018/0214655 A1 8/2018 Kooij
 2018/0250485 A1 9/2018 Zhan et al.
 2019/0001094 A1 * 1/2019 Liu A61M 16/0825

OTHER PUBLICATIONS

New—Eson 2 Fisher & Paykel Nasal Mask. CPAP Victoria: Snoring & Sleep Apnoea Solutions. cpapvictoria.com.au. Date accessed: May 21, 2016. <<http://cpapvictoria.com.au/new-eson-2-fisher-paykel-nasal-mask.html>>.

(56)

References Cited

OTHER PUBLICATIONS

Fisher & Paykel Eson 2 Nasal Mask. CPAP Direct. cpapdirect.com.au. Date accessed: May 21, 2016. <<https://cpapdirect.com.au/wp-content/uploads/2-15/12/Eson2-Exploded-Image.jpg>>.

Swivel for Fisher Paykel Eson2 Nasal Mask #400FPH241. CPAP Australia. www.cpapaustralia.com.au. Date accessed: May 21, 2016. <<https://www.cpapaustralia.com.au/shopping/swivel-for-fisher-paykel-eson2-nasal-mask-400fph241.html>>.

Office Action for U.S. Appl. No. 29/540,662 dated May 19, 2016.

Office Action for U.S. Appl. No. 29/540,681 dated May 19, 2016.

Office Action for U.S. Appl. No. 29/540,693 dated Jun. 2, 2016.

Office Action for U.S. Appl. No. 29/540,684 dated Sep. 15, 2016.

Office Action for U.S. Appl. No. 29/540,680 dated Jun. 2, 2016.

s-1225, image post date Jul. 30, 2017, site visited Nov. 24, 2017, (online), <https://www.tineye.com/search/5a303183b2900291d1429fe660f391f2c1a0f159/?sort=crawl_date&order=asc>.

direct-home-medical-parts-for-cpap-masks-bipap-masks, image post date Sep. 27, 2017, site visited Nov. 24, 2017, (online), <<https://www.tineye.com/search/58ef6f11e162268d500494d731e8e5c6c671dc48/>>.

F&P Eson 2 Nasal CPAP Mask Pack with Headgear, image post date Nov. 20, 2016, site visited Nov. 24, 2017, (online), <<http://www.directhomemedical.com/eson-2-nasal-cpap-mask-fisher-paykel-healthcare.html#reviews>>.

* cited by examiner

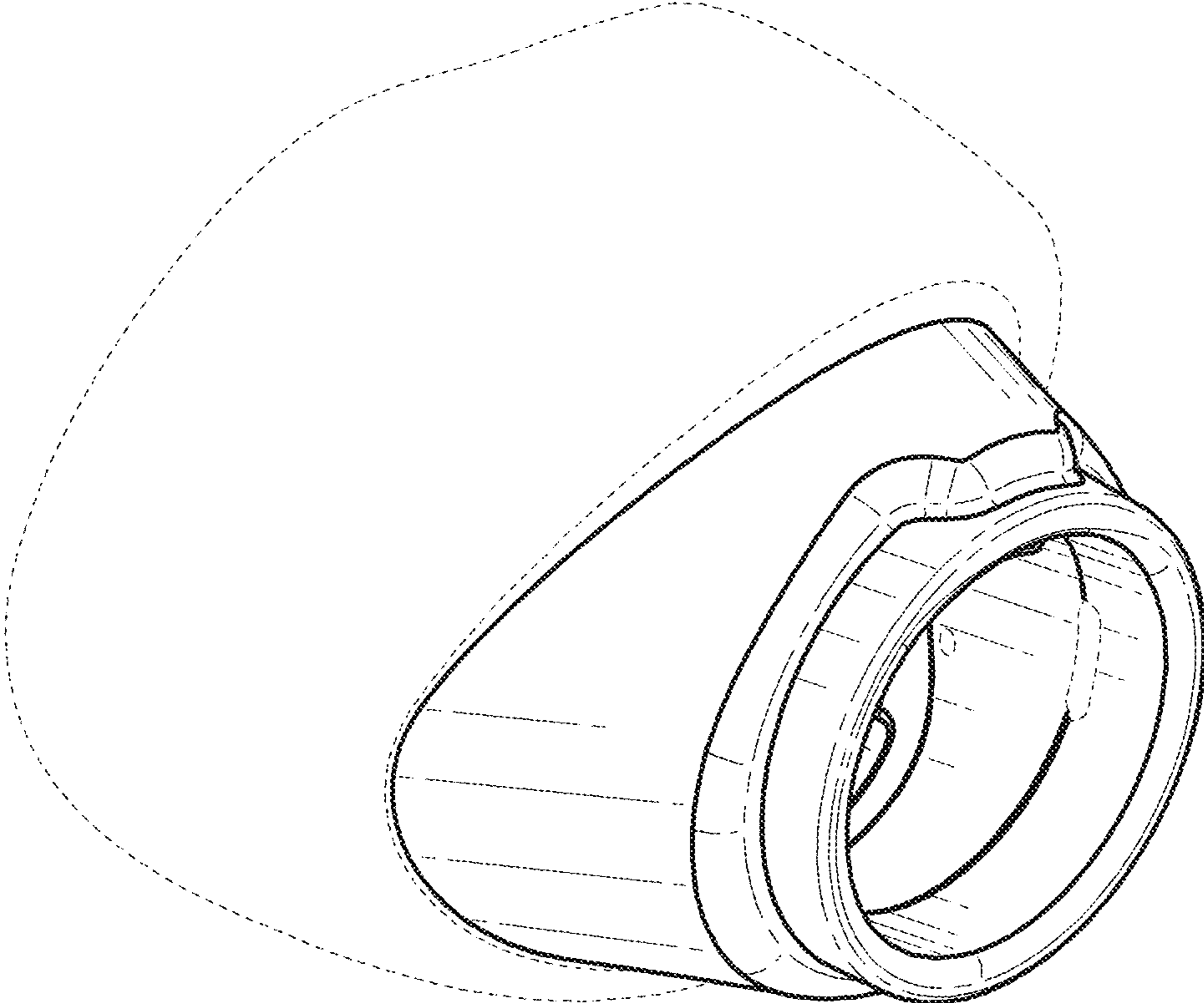


FIG. 1

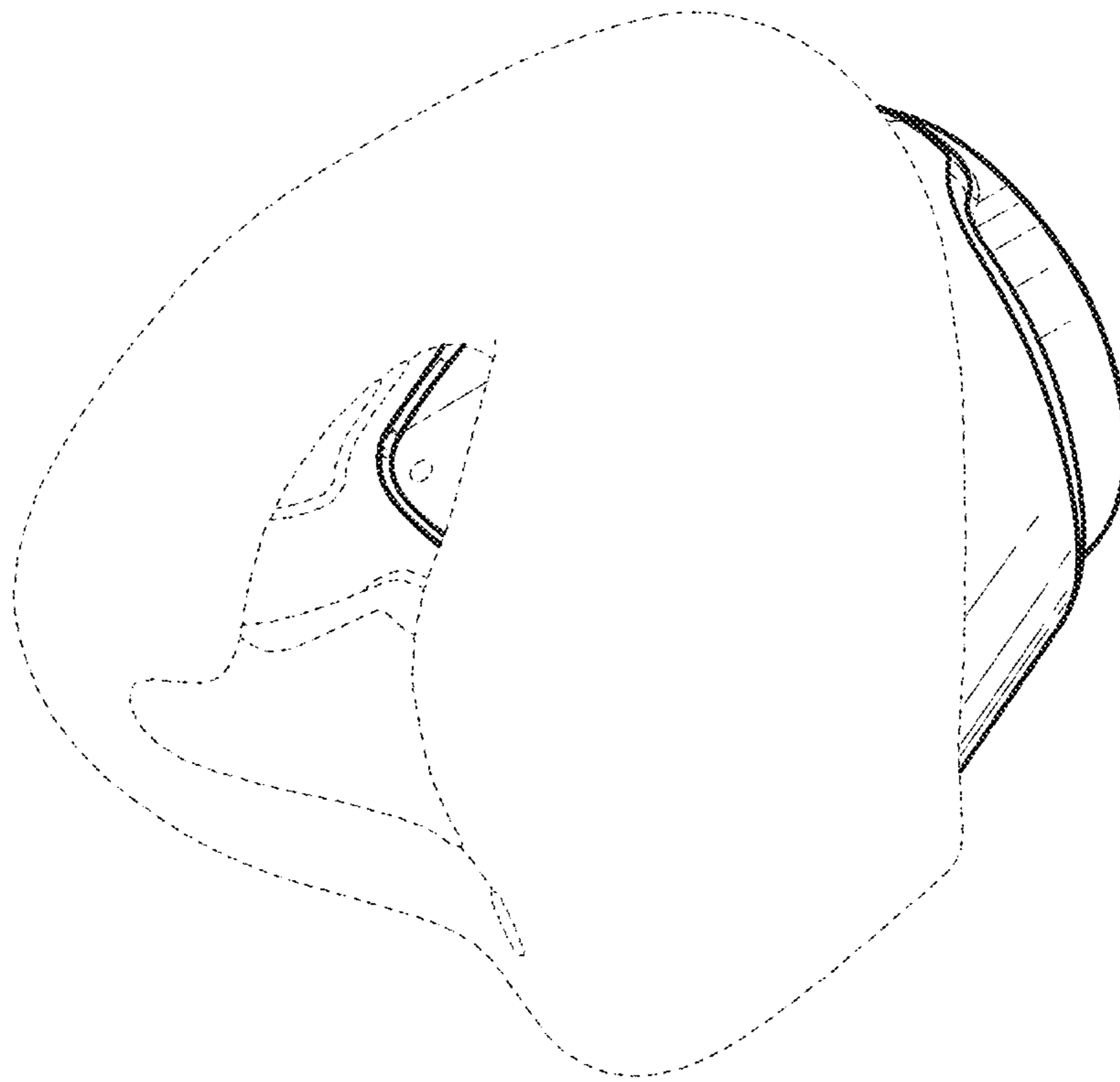


FIG. 2

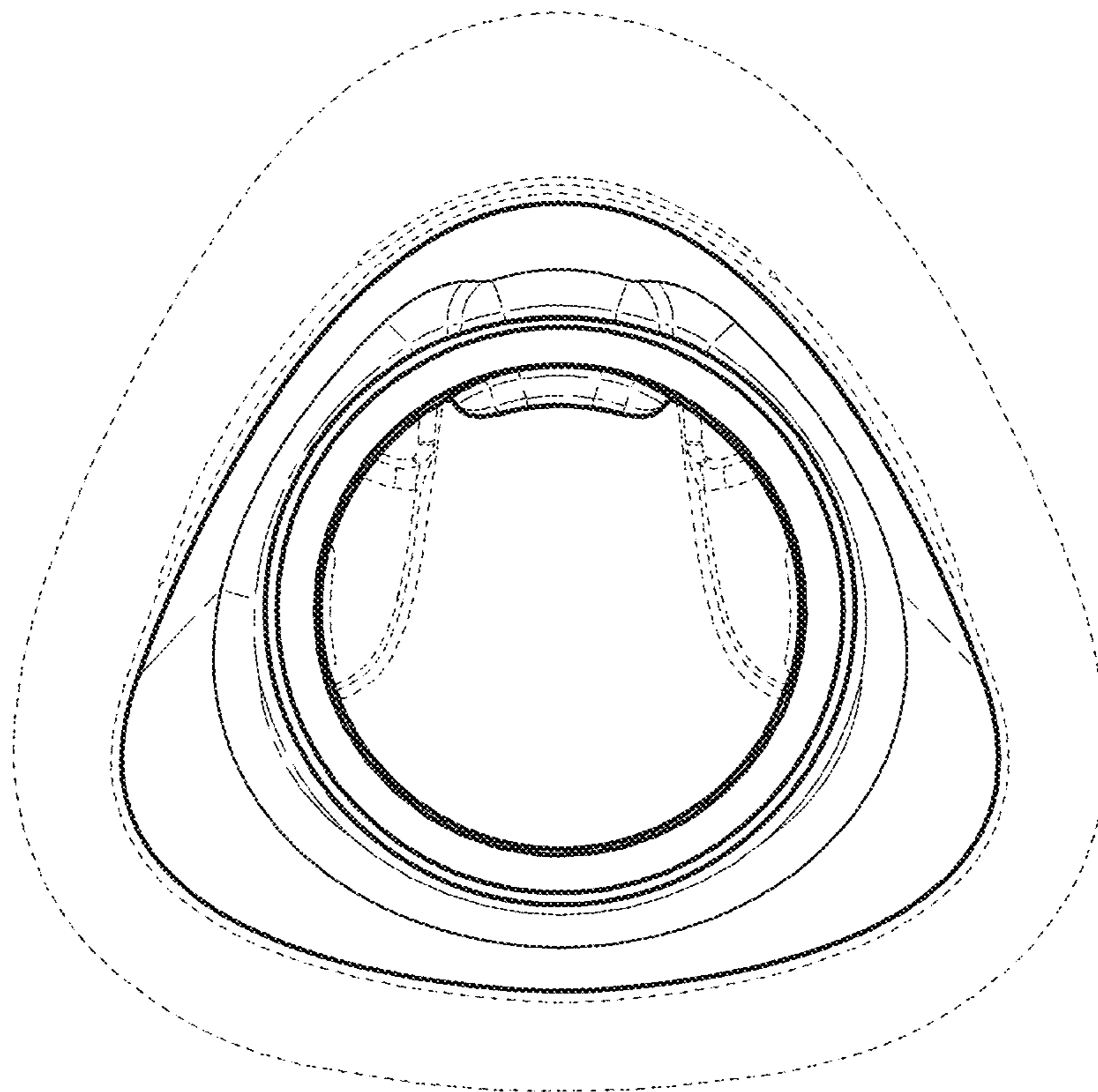


FIG. 3

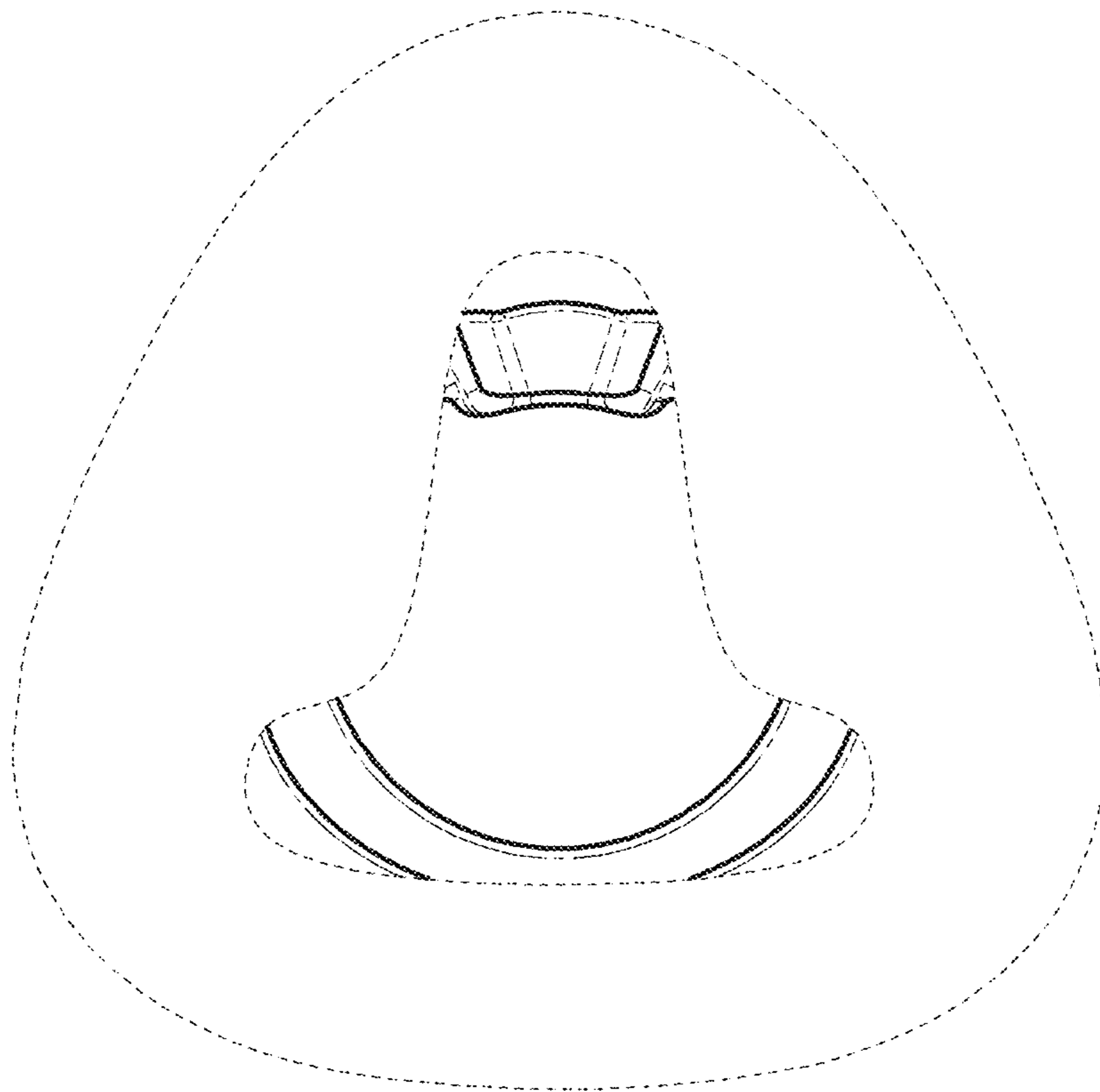


FIG. 4

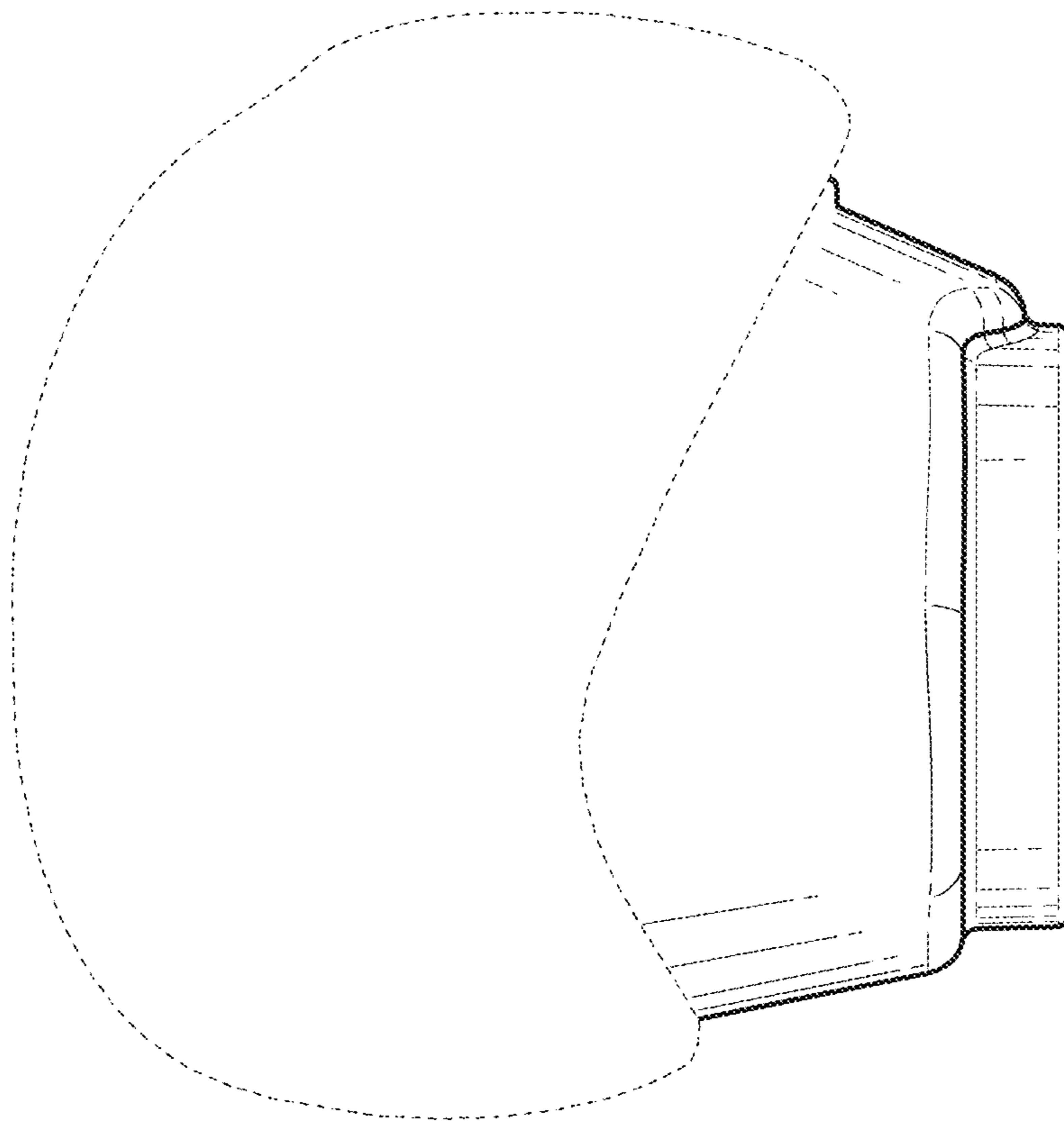


FIG. 5

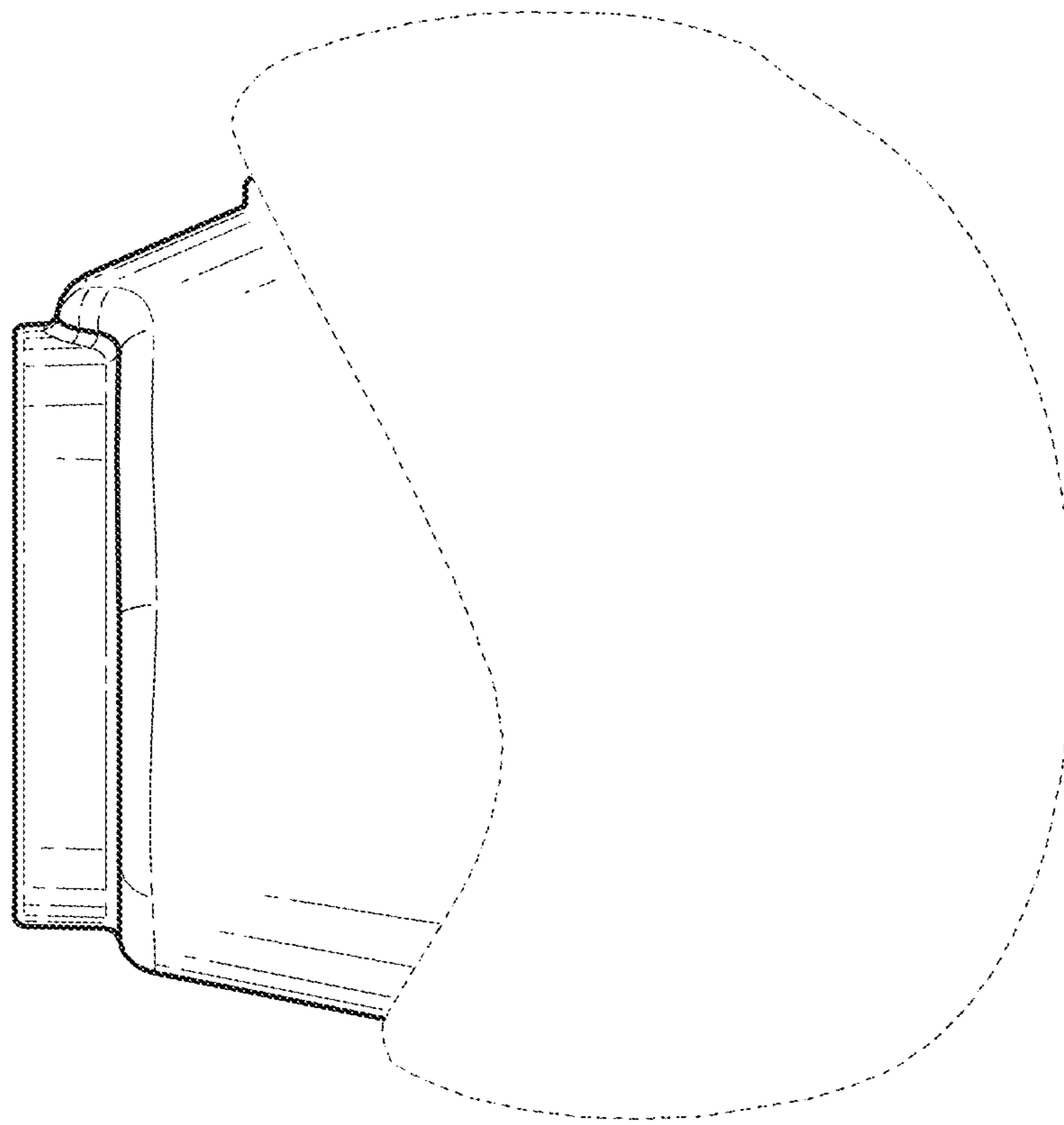


FIG. 6

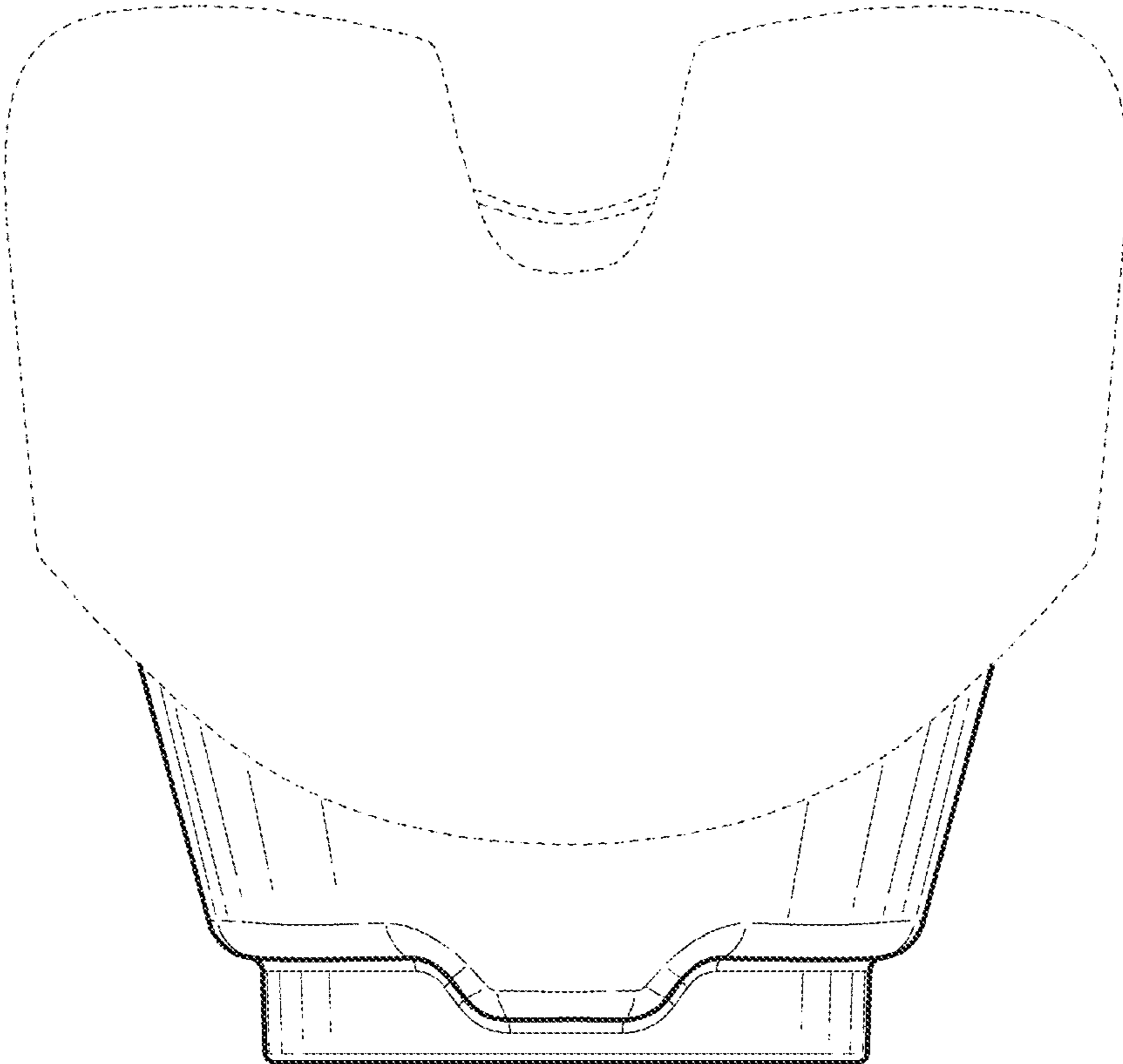


FIG. 7

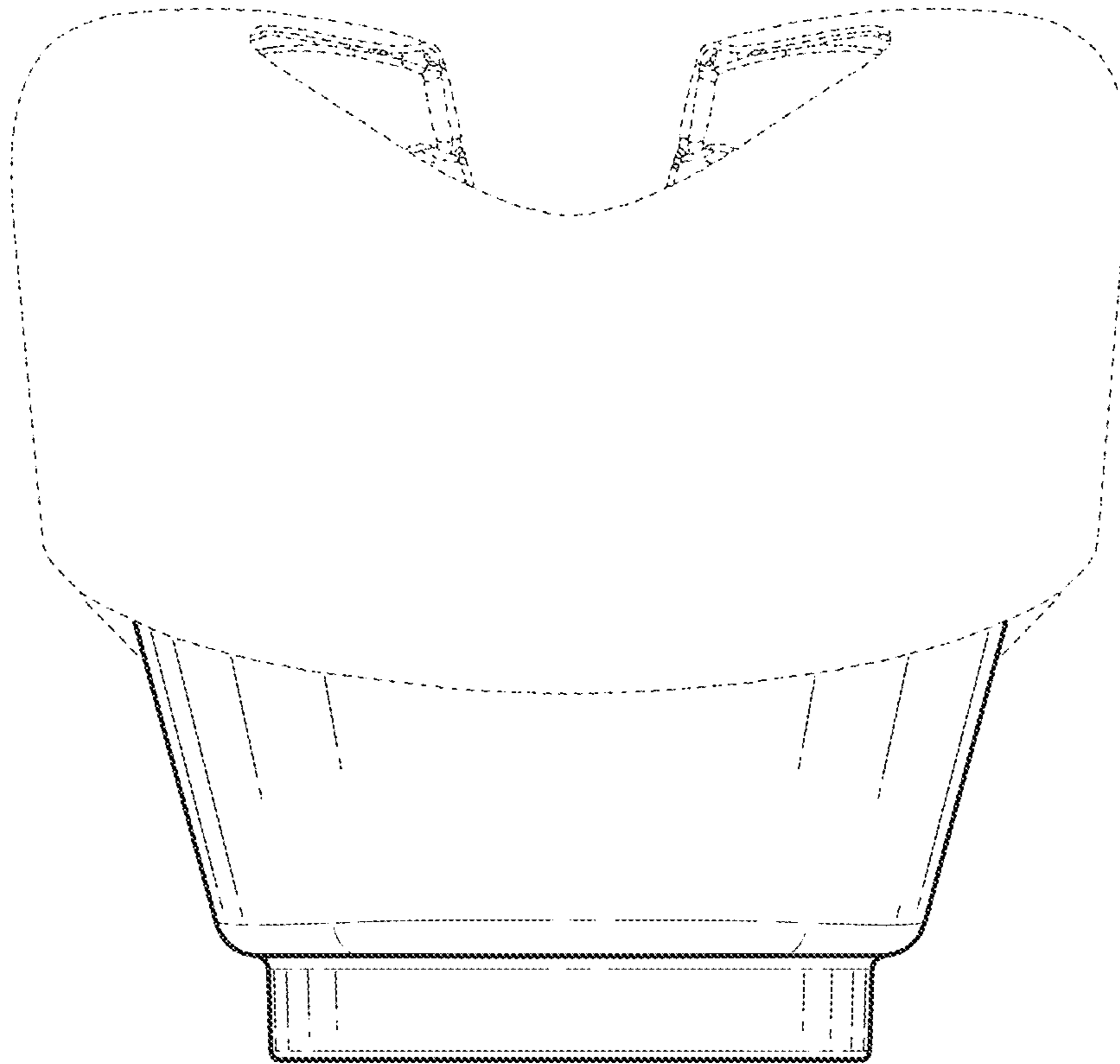


FIG. 8

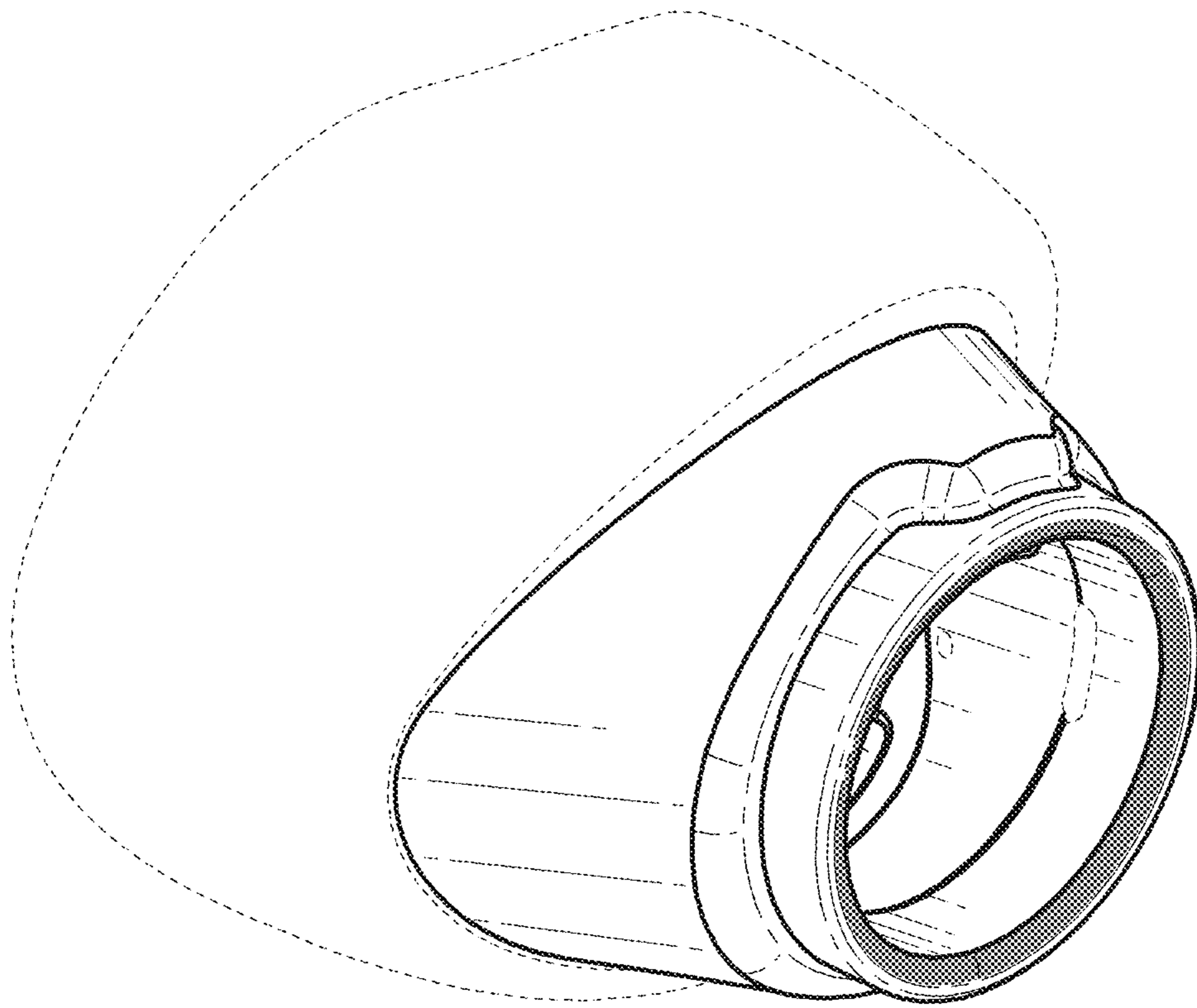


FIG. 9

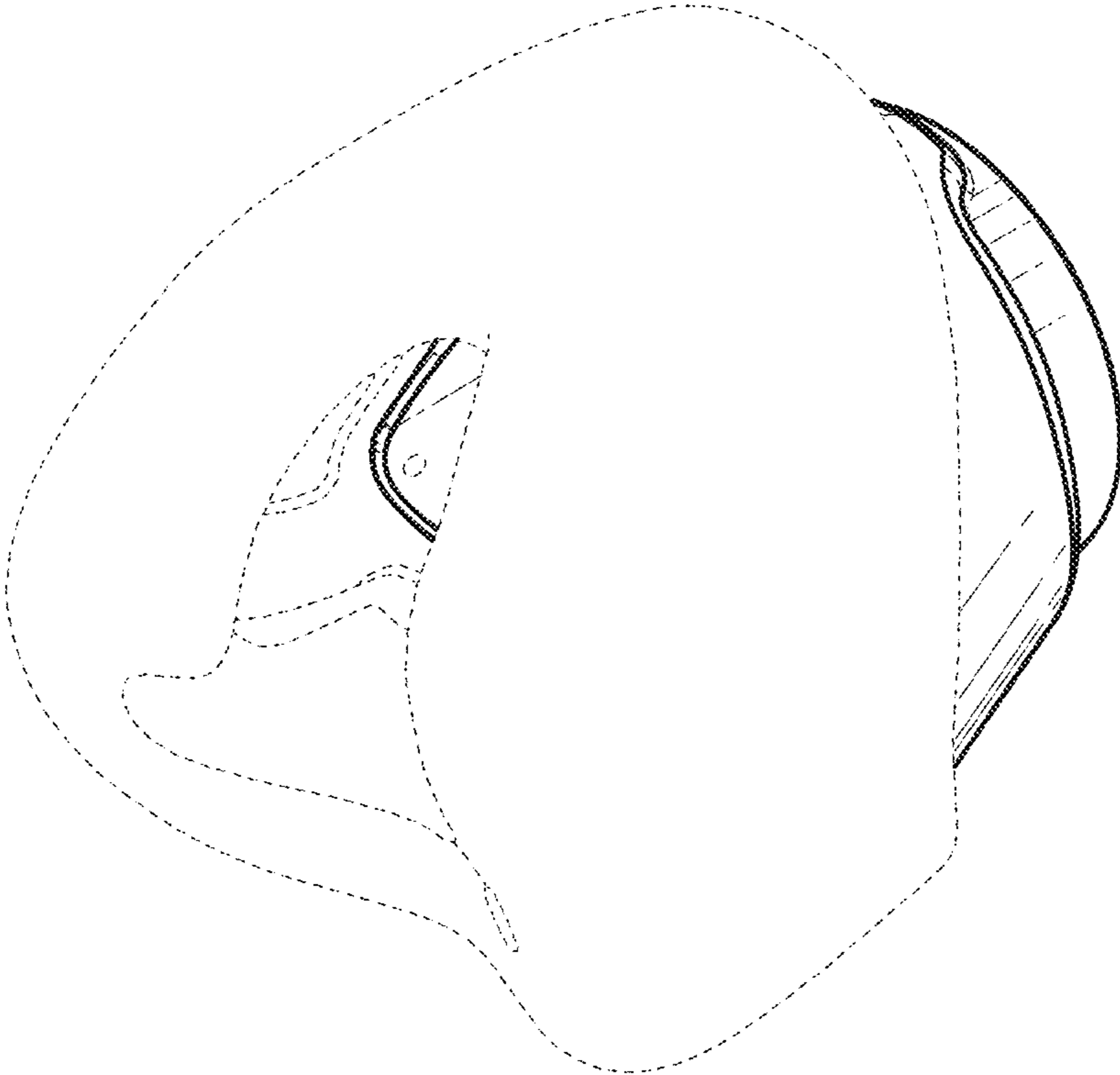


FIG. 10

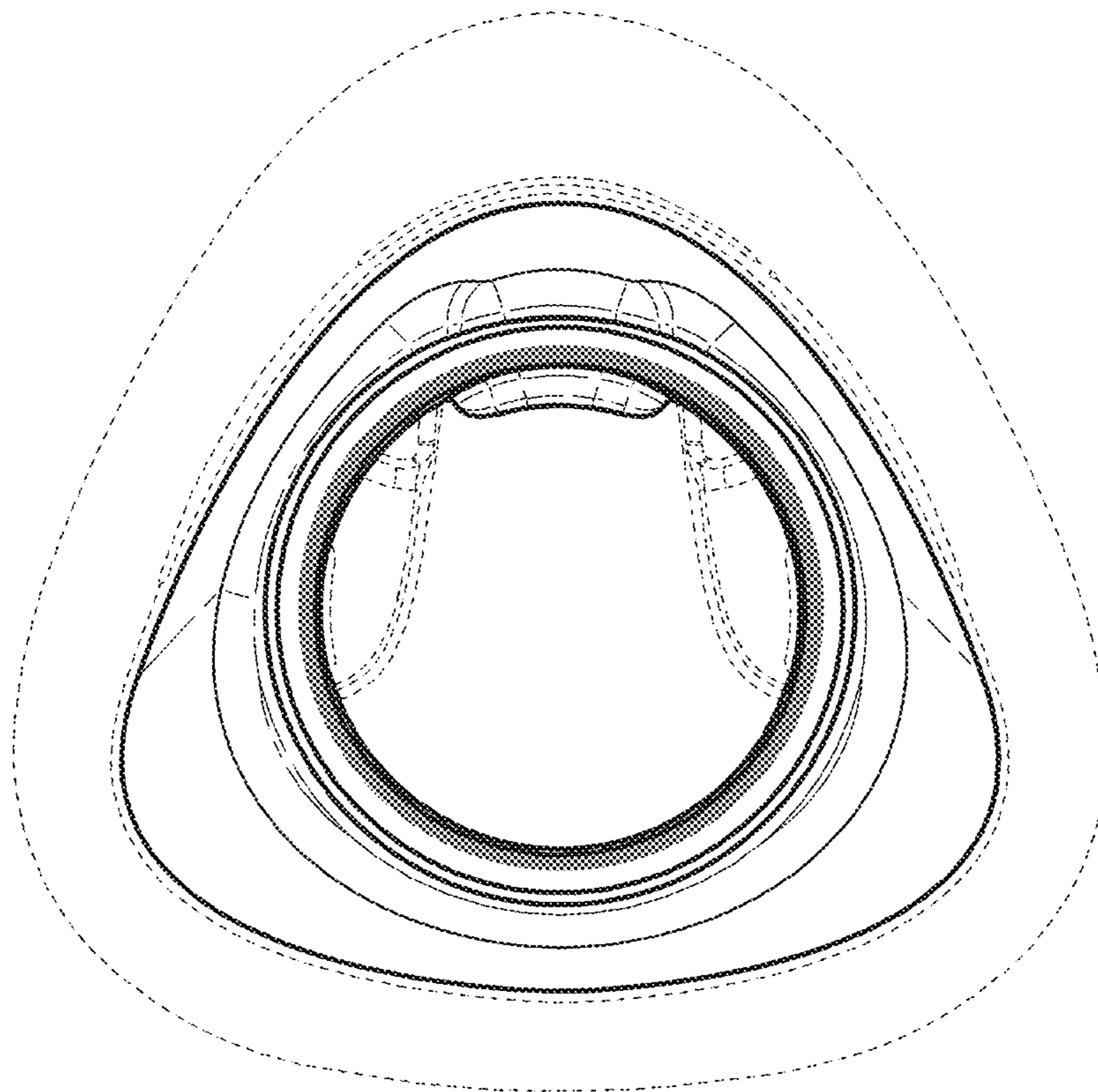


FIG. 11

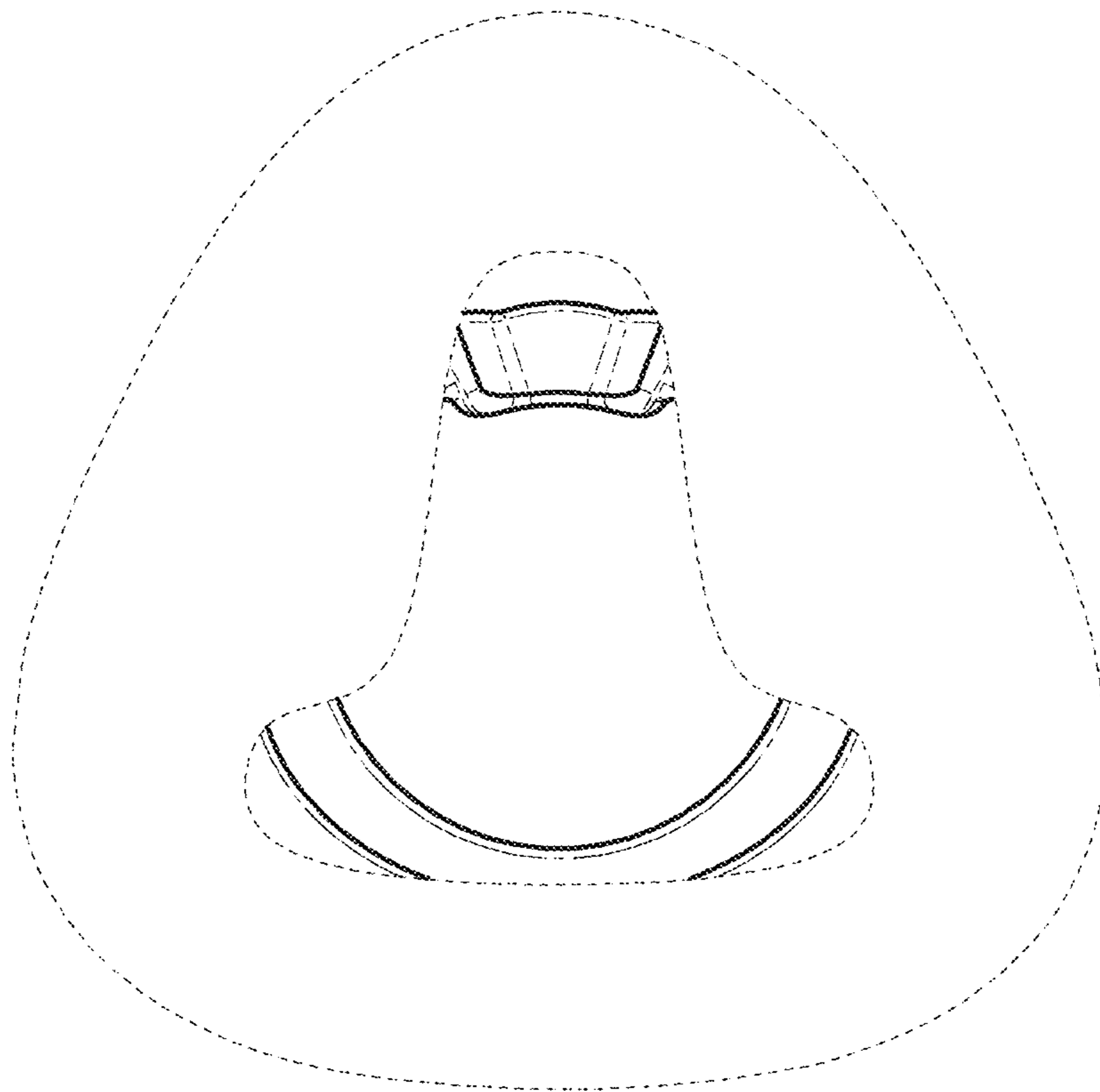


FIG. 12

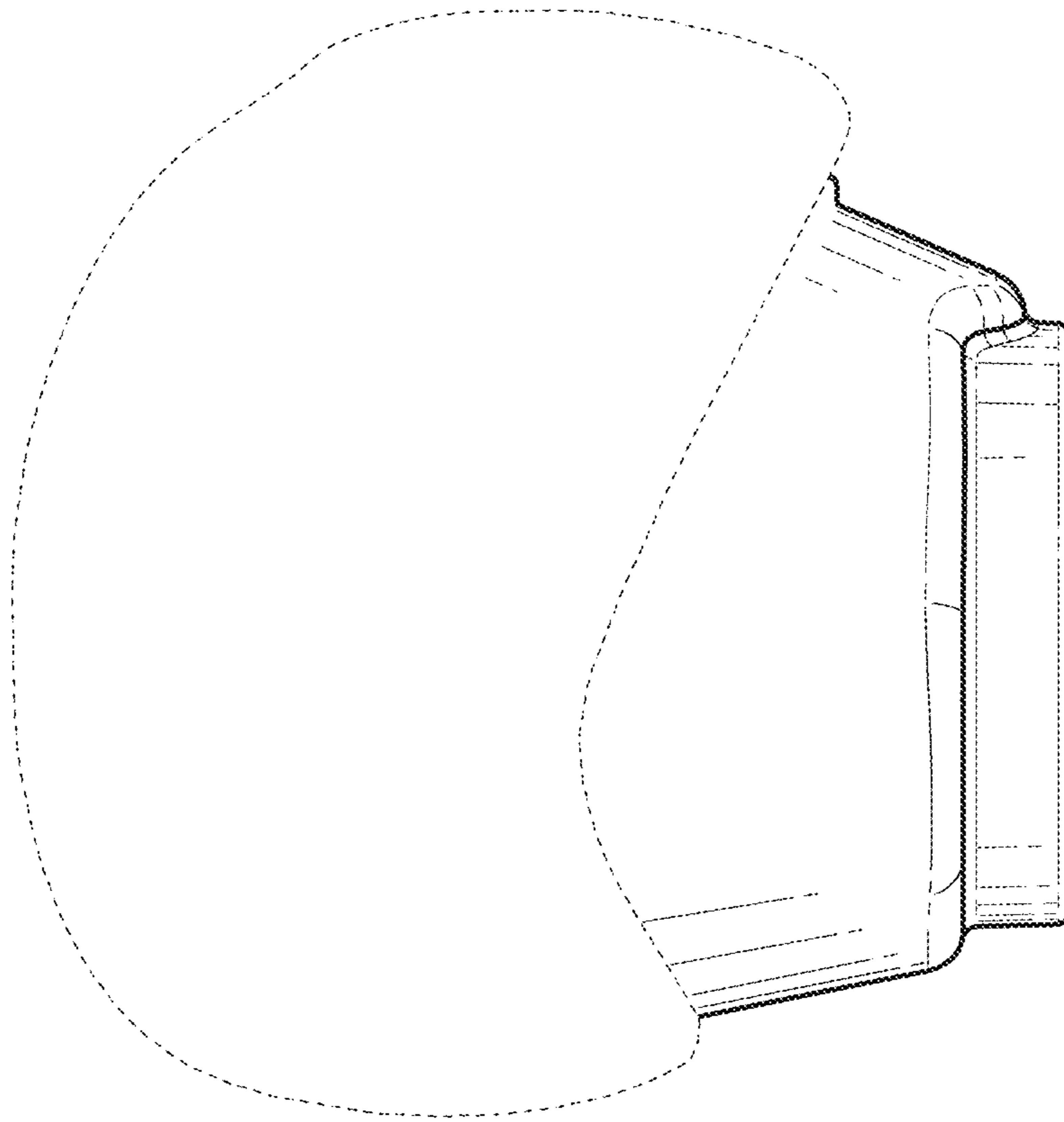


FIG. 13

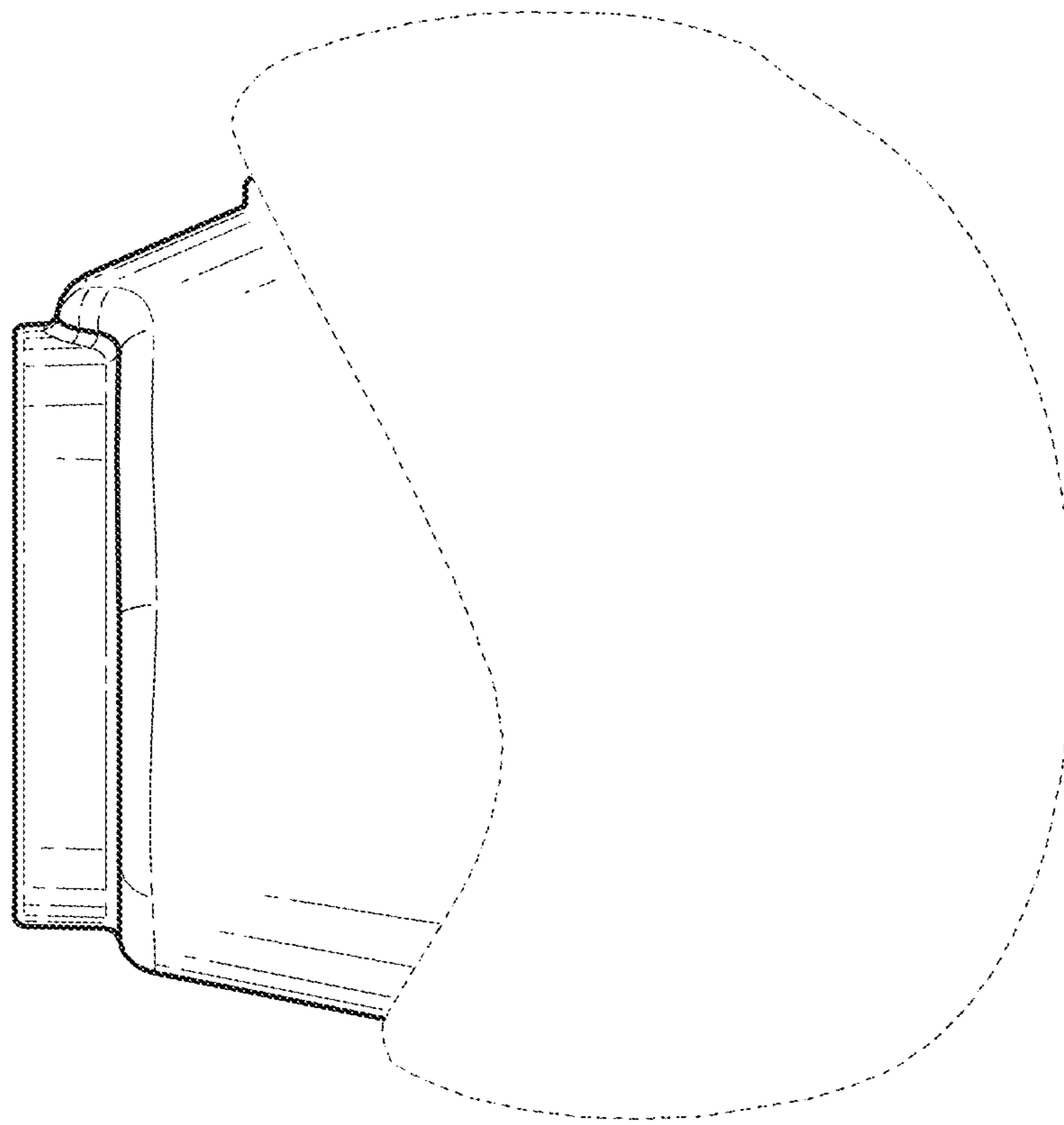


FIG. 14

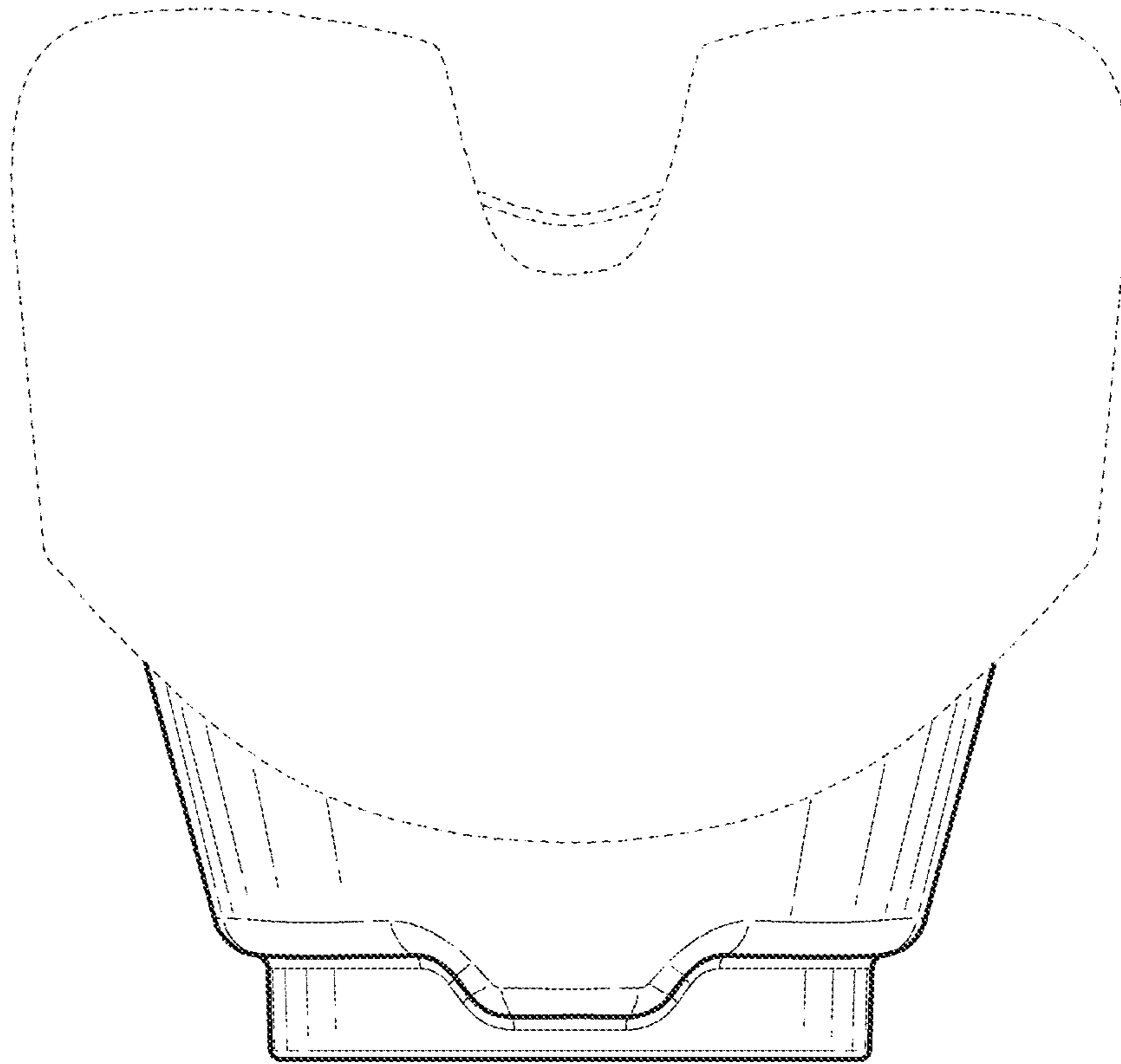


FIG. 15

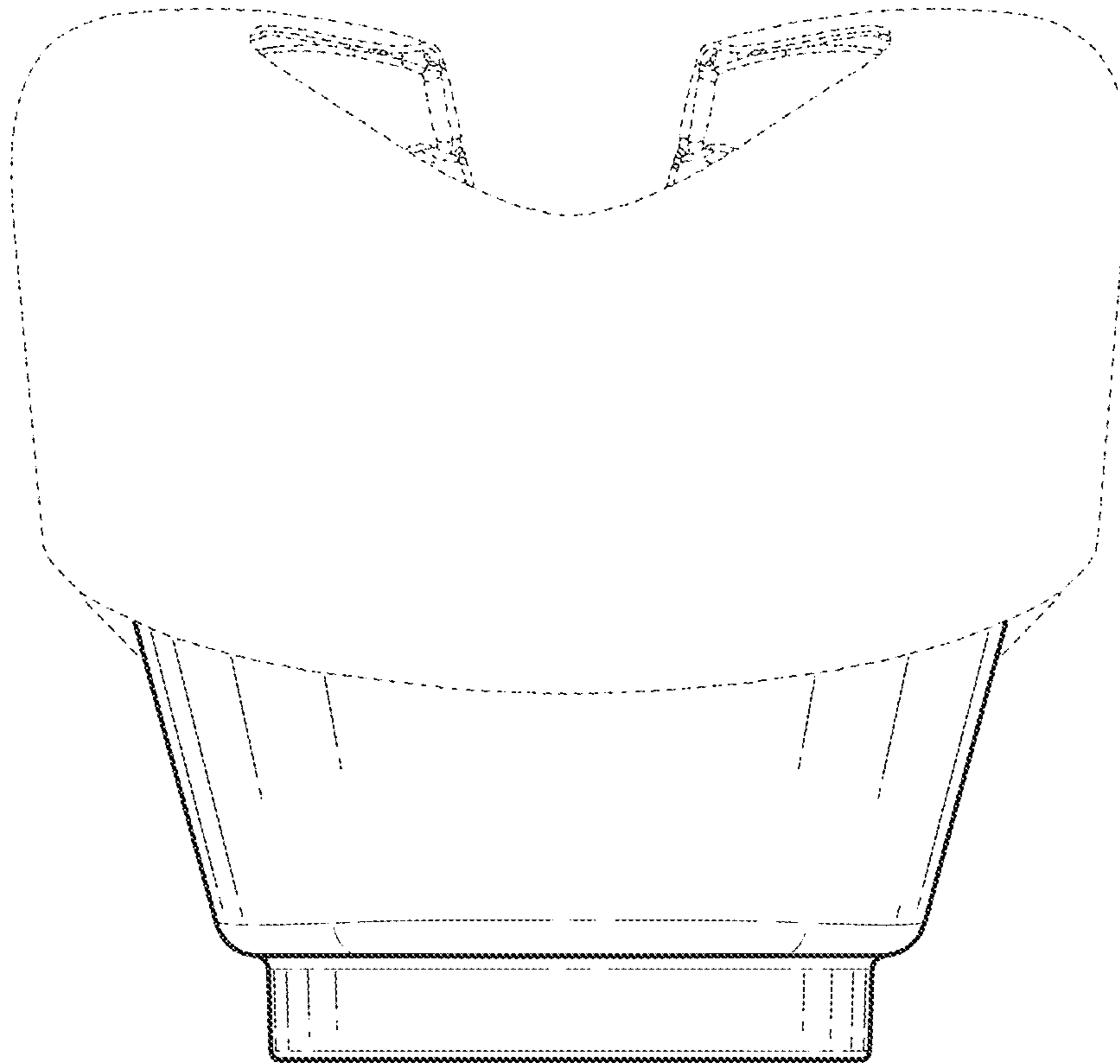


FIG. 16