



US00D875923S

(12) **United States Design Patent** (10) **Patent No.:** **US D875,923 S**  
**Cai** (45) **Date of Patent:** **\*\* Feb. 18, 2020**

(54) **SNORKEL MASK**  
(71) Applicant: **Shantou Hi-tech Zone Feiyu Creative Electronic Technology Co., Ltd.,**  
Shantou (CN)

2018/0297676 A1\* 10/2018 Zheng ..... B63C 11/16  
2018/0319471 A1\* 11/2018 Thomas ..... B63C 11/16  
2019/0002068 A1\* 1/2019 Godoy ..... B63C 11/205  
2019/0023366 A1\* 1/2019 Liao ..... B63C 11/16  
2019/0039702 A1\* 2/2019 Gamberini ..... B63C 11/12  
2019/0118918 A1\* 4/2019 Xiao ..... B63C 11/16

(Continued)

(72) Inventor: **Kaitao Cai**, Guangdong (CN)

**FOREIGN PATENT DOCUMENTS**

(\*\*) Term: **15 Years**

EM 03456748-0001 \* 11/2016  
EM 004750792-0001 \* 3/2018  
EM 005454006-0006 \* 7/2018

(21) Appl. No.: **29/641,311**

(22) Filed: **Mar. 21, 2018**

**OTHER PUBLICATIONS**

(30) **Foreign Application Priority Data**

Feb. 5, 2018 (CN) ..... 2018 3 0053977

Vaincre Snorkel Mask. Amazon.com. Earliest review date: Aug. 26, 2017. Retrieved from Internet: [https://www.amazon.com/Vaincre-Panoramic-Anti-Fog-Anti-Leak-Adjustable/dp/B07RDPDP72/ref=cm\\_cr\\_ar\\_p\\_d\\_product\\_top?ie=UTF8](https://www.amazon.com/Vaincre-Panoramic-Anti-Fog-Anti-Leak-Adjustable/dp/B07RDPDP72/ref=cm_cr_ar_p_d_product_top?ie=UTF8) (Year: 2017).\*

(51) **LOC (12) Cl.** ..... **29-02**

(Continued)

(52) **U.S. Cl.**  
USPC ..... **D24/110.2; D24/110.4**

(58) **Field of Classification Search**  
USPC ..... D24/110-110.6; D29/110  
CPC ..... B63C 11/205; B63C 11/16; B63C 11/186;  
B63C 11/12  
See application file for complete search history.

*Primary Examiner* — Lilyana Bekic  
(74) *Attorney, Agent, or Firm* — Erson IP (Nelson IP)

(57) **CLAIM**

The ornamental design for a snorkel mask, as shown and described.

(56) **References Cited**

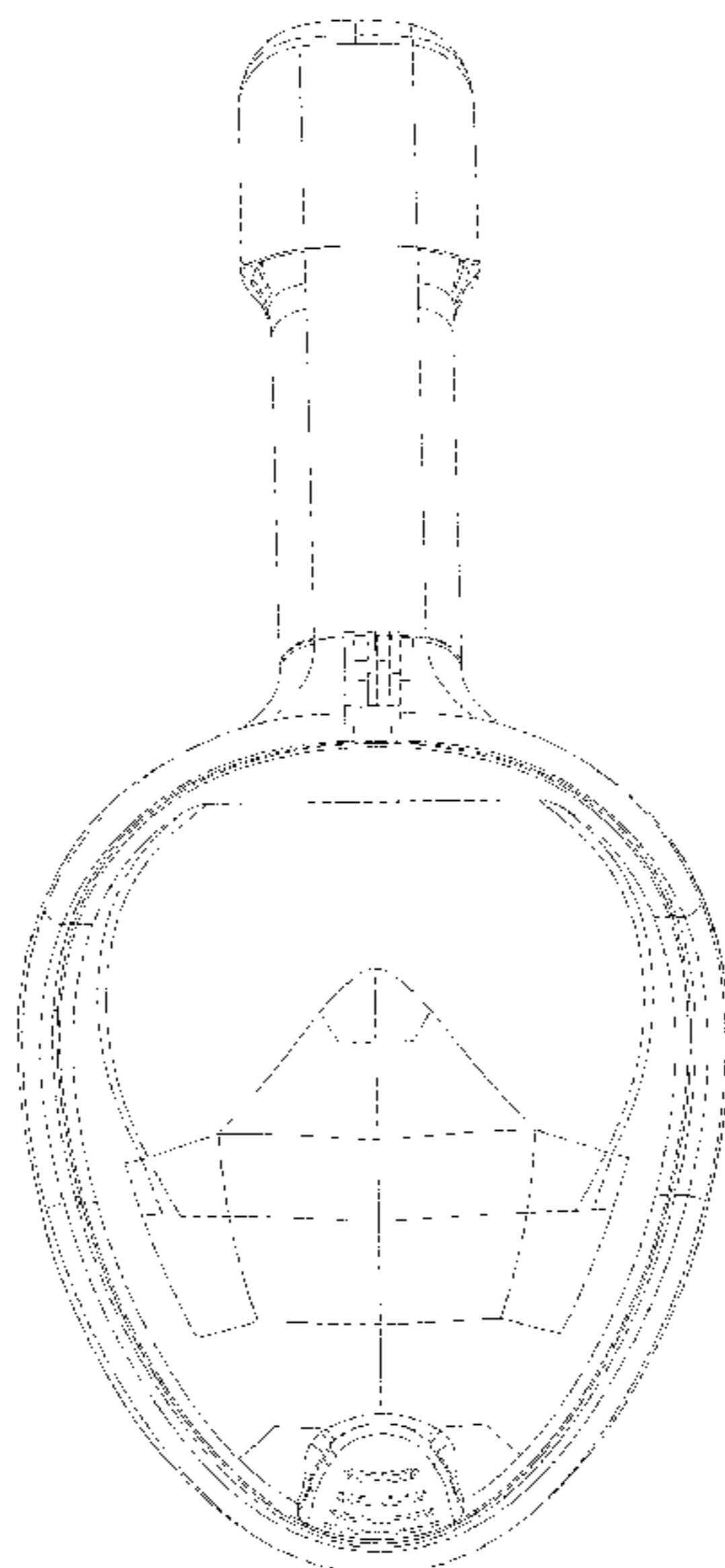
**DESCRIPTION**

**U.S. PATENT DOCUMENTS**

D775,722 S \* 1/2017 Caprice ..... D24/110.2  
D838,358 S \* 1/2019 Xu ..... D24/110.2  
D839,408 S \* 1/2019 Hu ..... D24/110.2  
D849,932 S \* 5/2019 Caprice ..... D24/110.2  
D852,265 S \* 6/2019 Liao ..... D24/110.2  
D852,266 S \* 6/2019 Liao ..... D24/110.2  
D859,642 S \* 9/2019 Xiong ..... D24/110.2  
D860,436 S \* 9/2019 Chen ..... D24/110.2  
D863,543 S \* 10/2019 Hu ..... D24/110.2  
2016/0297505 A1\* 10/2016 Caprice ..... B63C 11/16  
2017/0096204 A1\* 4/2017 Cucchia ..... B63C 11/12  
2017/0334531 A1\* 11/2017 Shiue ..... A62B 9/02  
2018/0065719 A1\* 3/2018 Liao ..... B63C 11/14  
2018/0134352 A1\* 5/2018 Armani ..... B63C 11/26

FIG. 1 is a front elevational view of a snorkel mask showing my new design;  
FIG. 2 is a rear elevational view thereof;  
FIG. 3 is a left side view thereof;  
FIG. 4 is a right side view thereof;  
FIG. 5 is a top plan view thereof;  
FIG. 6 is a bottom plan view thereof; and,  
FIG. 7 is a perspective view thereof.  
The broken lines in the drawing depict portions of the snorkel mask that form no part of the claimed design.

**1 Claim, 7 Drawing Sheets**



(56)

**References Cited**

U.S. PATENT DOCUMENTS

2019/0329853 A1\* 10/2019 Zheng ..... G03B 17/561

OTHER PUBLICATIONS

Top 8 Best Full Face Snorkel Masks 2017 Reviews. vbestseller.com.  
Web archive date: May 20, 2017. Retrieved from Internet: <https://web.archive.org/web/20170520235311/https://vbestseller.com/best-full-face-snorkel-mask-reviews/> (Year: 2017).\*

Full Face Snorkeling Mask S/M with GoPro Mount. wazza.com.au.  
Date viewed: Jun. 18, 2019. Retrieved from Internet: <https://wazza.com.au/en/products/full-face-snorkeling-mask-with-gopro-mount-for-kids/> (Year: 2019).\*

\* cited by examiner

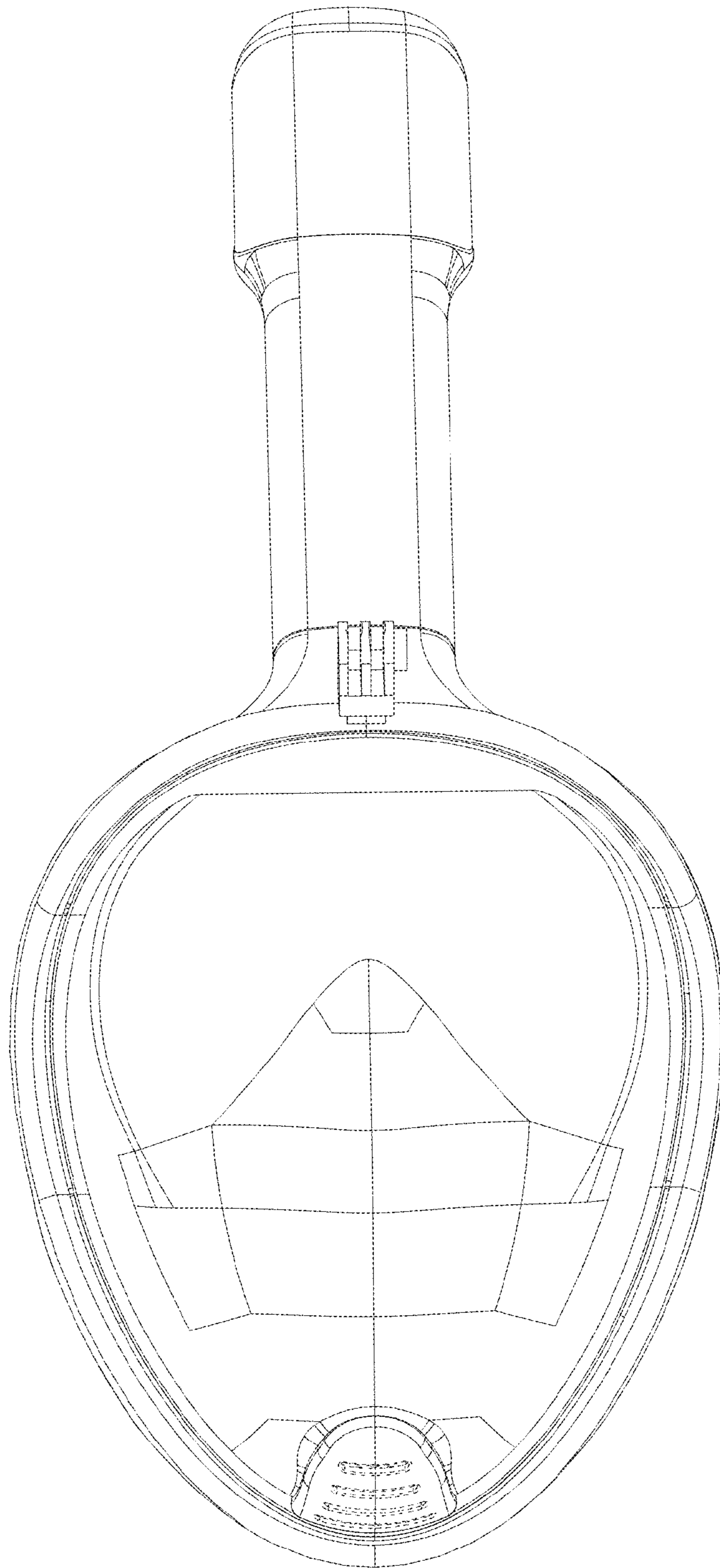


FIG. 1

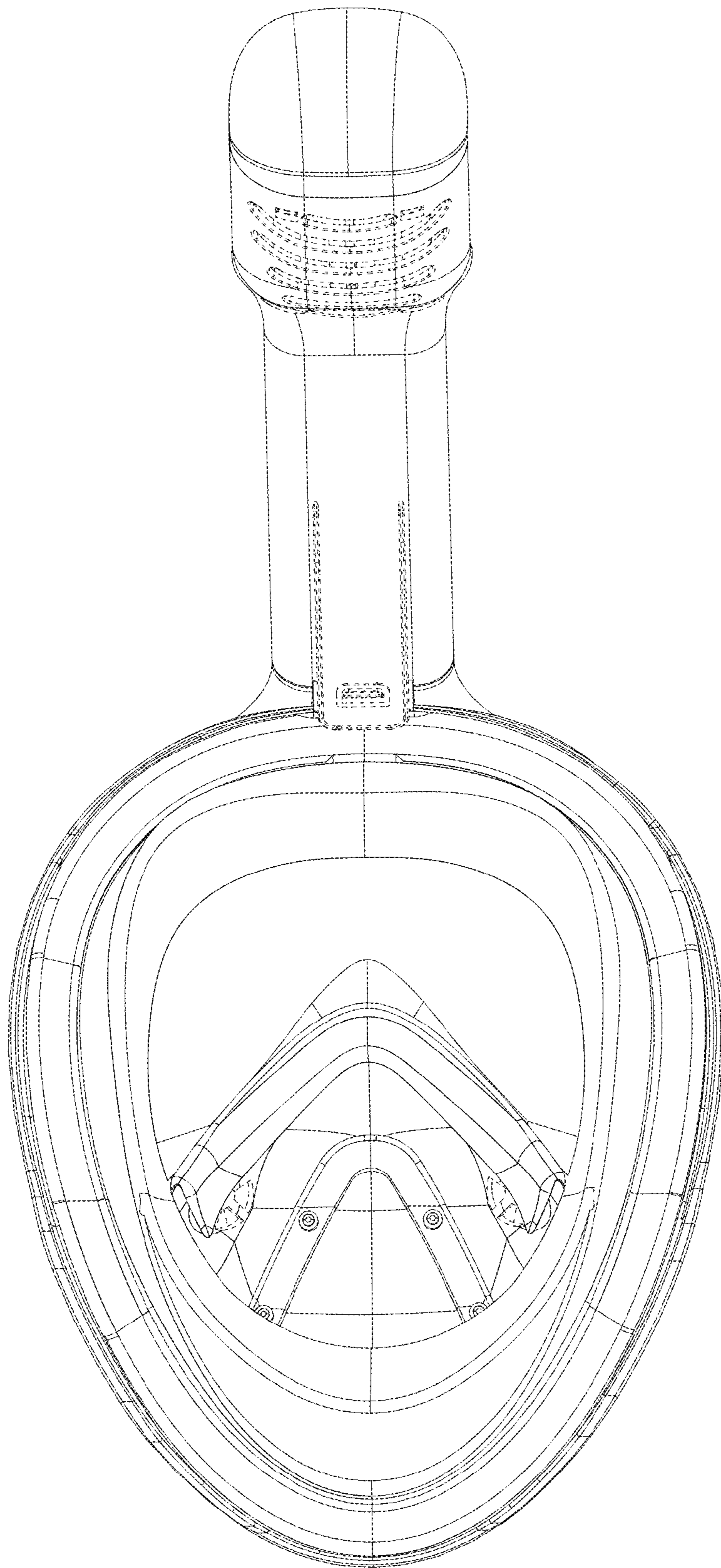


FIG. 2



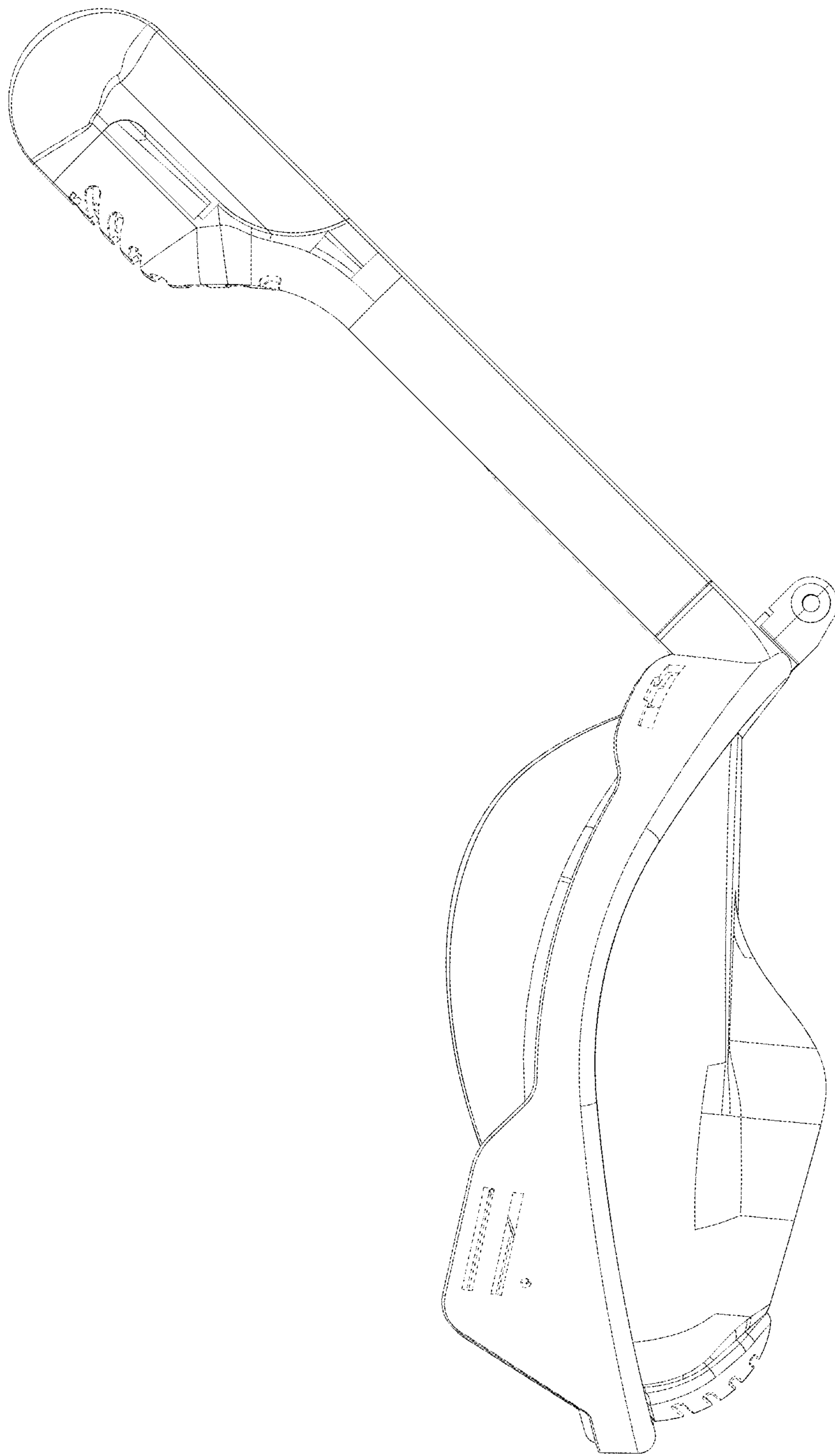


FIG. 3

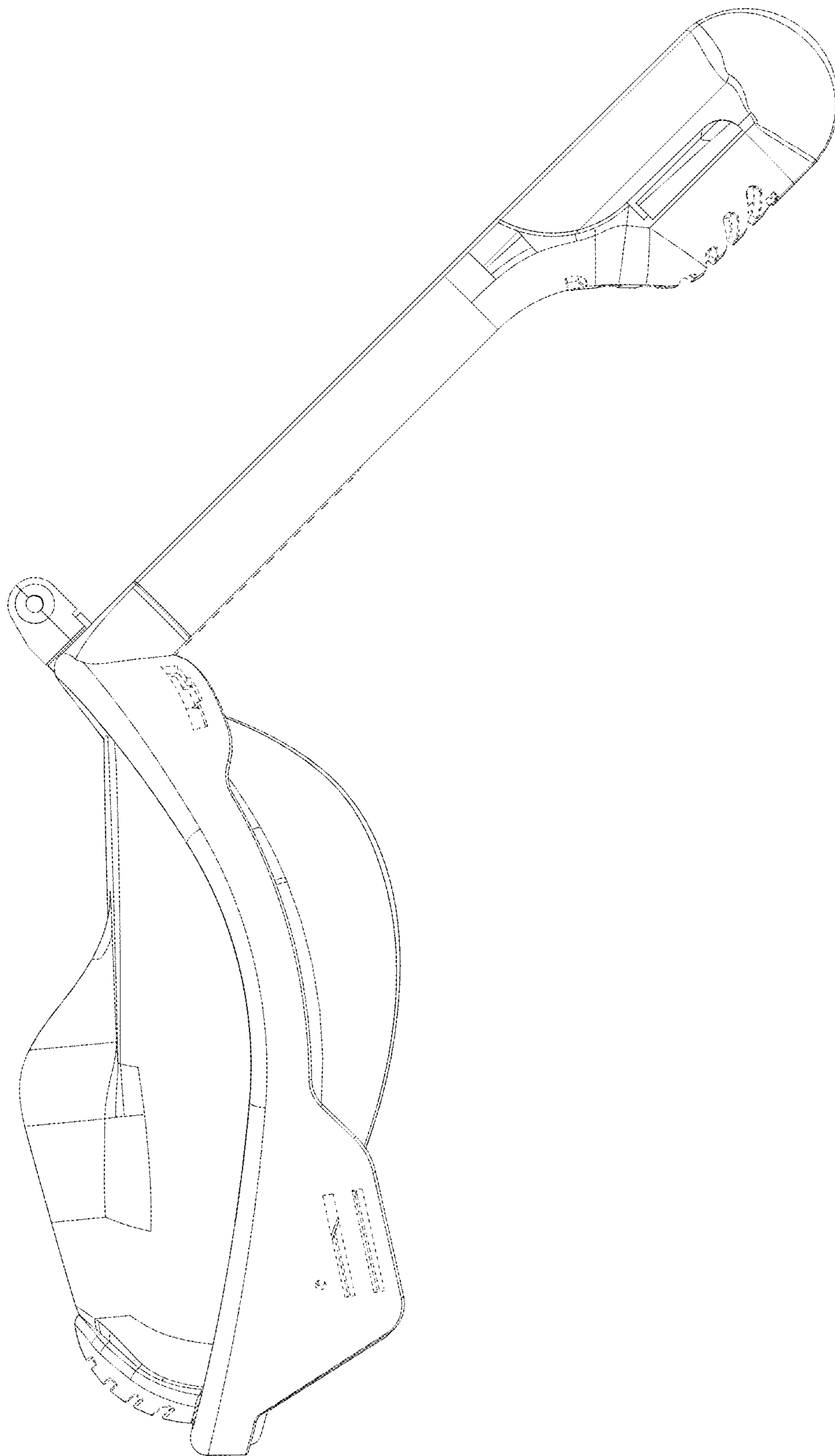
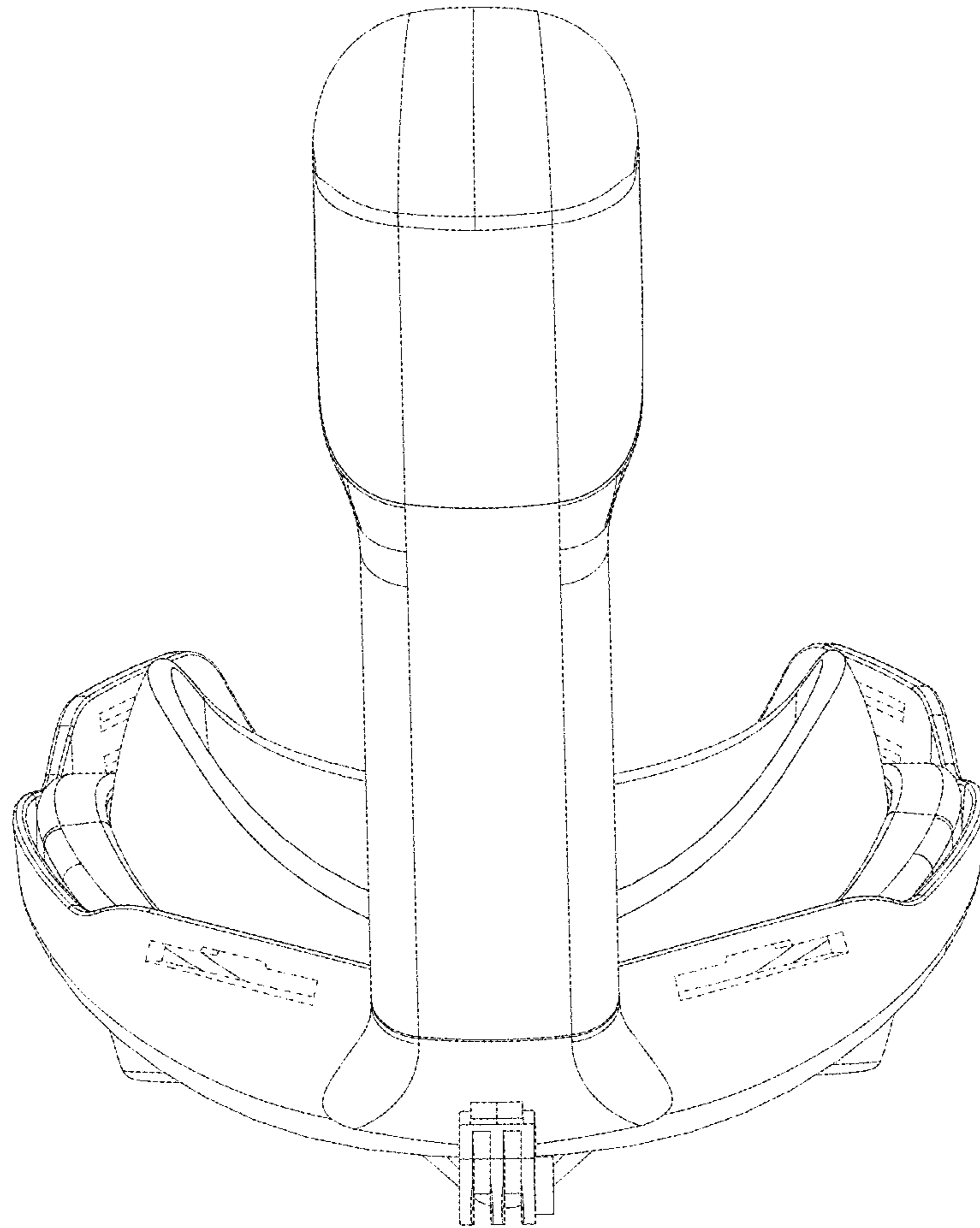


FIG. 4



**FIG. 5**

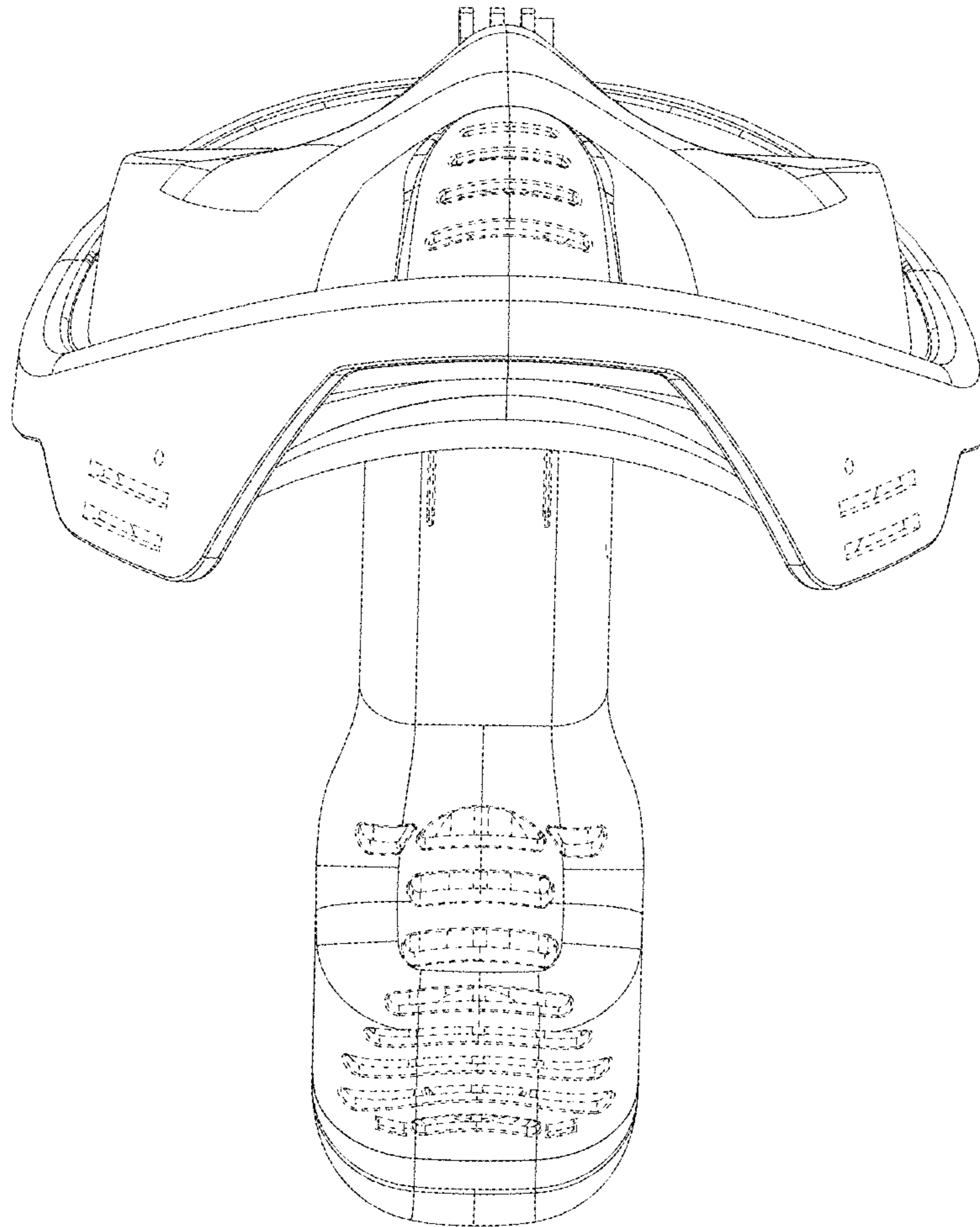


FIG. 6



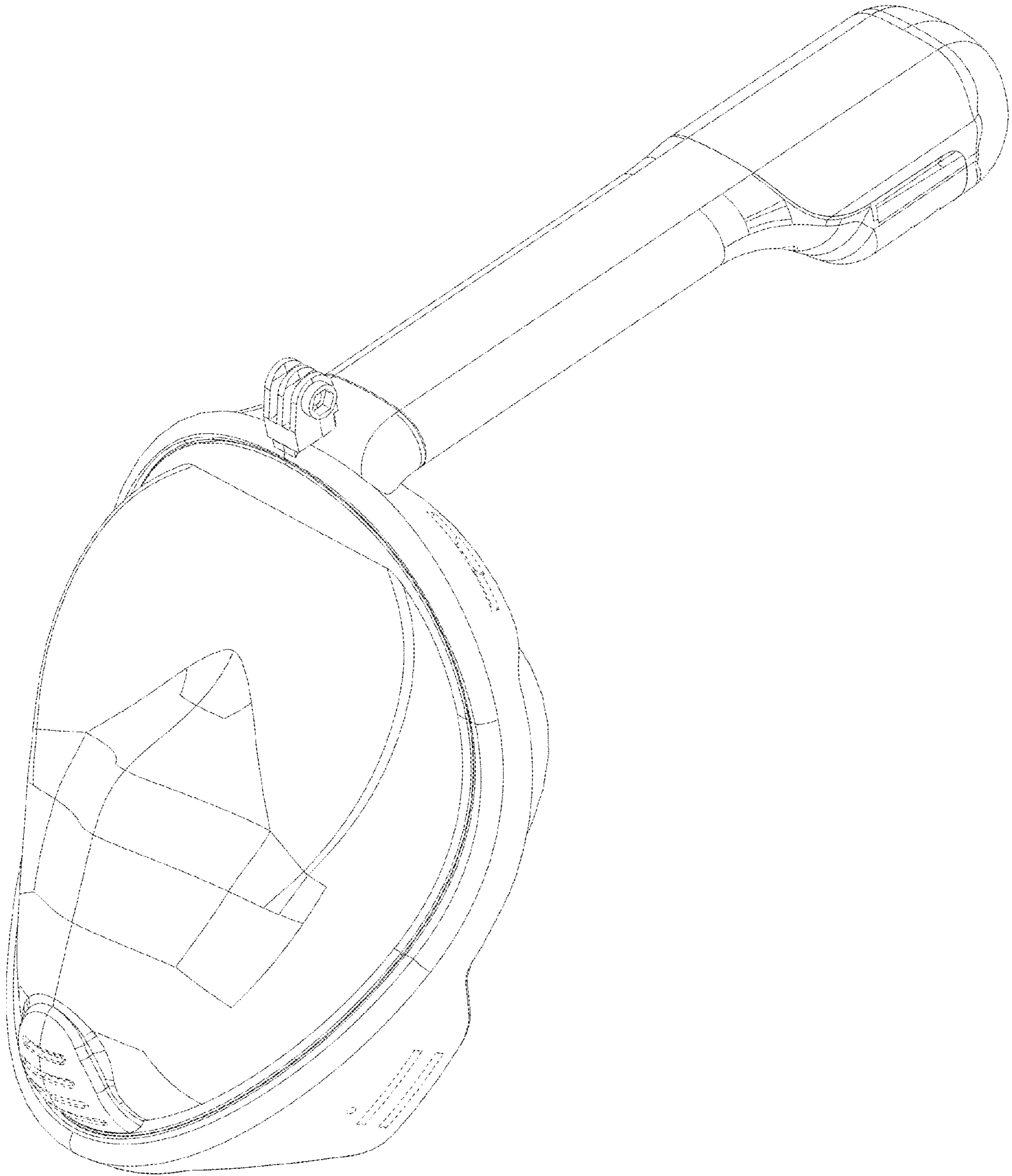


FIG. 7