



US00D875920S

(12) **United States Design Patent**  
**Haggar**

(10) **Patent No.:** **US D875,920 S**

(45) **Date of Patent:** **\*\* Feb. 18, 2020**

(54) **CEILING FAN MOTOR HOUSING**

(71) Applicant: **HUNTER FAN COMPANY,**  
Memphis, TN (US)

(72) Inventor: **Alexander Jonathan Haggar,**  
Memphis, TN (US)

(73) Assignee: **Hunter Fan Company,** Memphis, TN  
(US)

(\*\*) Term: **15 Years**

(21) Appl. No.: **29/647,609**

(22) Filed: **May 15, 2018**

**Related U.S. Application Data**

(60) Continuation of application No. 29/622,208, filed on Oct. 16, 2017, now Pat. No. Des. 822,192, which is a division of application No. 29/582,440, filed on Oct. 27, 2016, now Pat. No. Des. 805,175.

(51) **LOC (12) Cl.** ..... **23-04**

(52) **U.S. Cl.**  
USPC ..... **D23/411**

(58) **Field of Classification Search**  
USPC ... D26/59, 24, 118, 119, 121–124, 128–137;  
D23/370, 377–382, 411–414  
CPC ..... F04D 25/088; F04D 29/38; F21V 21/03;  
B63H 1/16  
See application file for complete search history.

(56) **References Cited**

**U.S. PATENT DOCUMENTS**

D298,052 S	10/1988	Sonneman	
D314,618 S	2/1991	Yen	
D488,544 S	4/2004	Bacon	
7,080,813 B1	7/2006	Frampton et al.	
D627,874 S *	11/2010	Pan	D23/411
D628,688 S	12/2010	Pan	
D632,381 S	2/2011	Davenport et al.	
D670,368 S	11/2012	Vanderheyden et al.	
D707,336 S	6/2014	Pan	

D759,799 S	6/2016	Wang	
D760,369 S *	6/2016	Ertze	D23/385
D771,794 S	11/2016	Wang	
D783,145 S	4/2017	Wang	
D795,410 S	8/2017	Holmes	

(Continued)

**OTHER PUBLICATIONS**

<https://www.menards.com/main/lighting-ceiling-fans/ceiling-fans/shop-all-ceiling-fans/turn-of-the-century-reg-montego-bay-52-weathered-copper-wet-rated-ceiling-fan/p-1444424537879-c-7487.htm?tid=70857110150563470>, Item Specification for Turn of the Century Montego Bay 52" Weathered Copper Transitional Wet-Rated Ceiling Fan, Model No. CP152115, Accessed on Oct. 27, 2016.

(Continued)

*Primary Examiner* — Janice Hallmark

(74) *Attorney, Agent, or Firm* — McGarry Bair PC

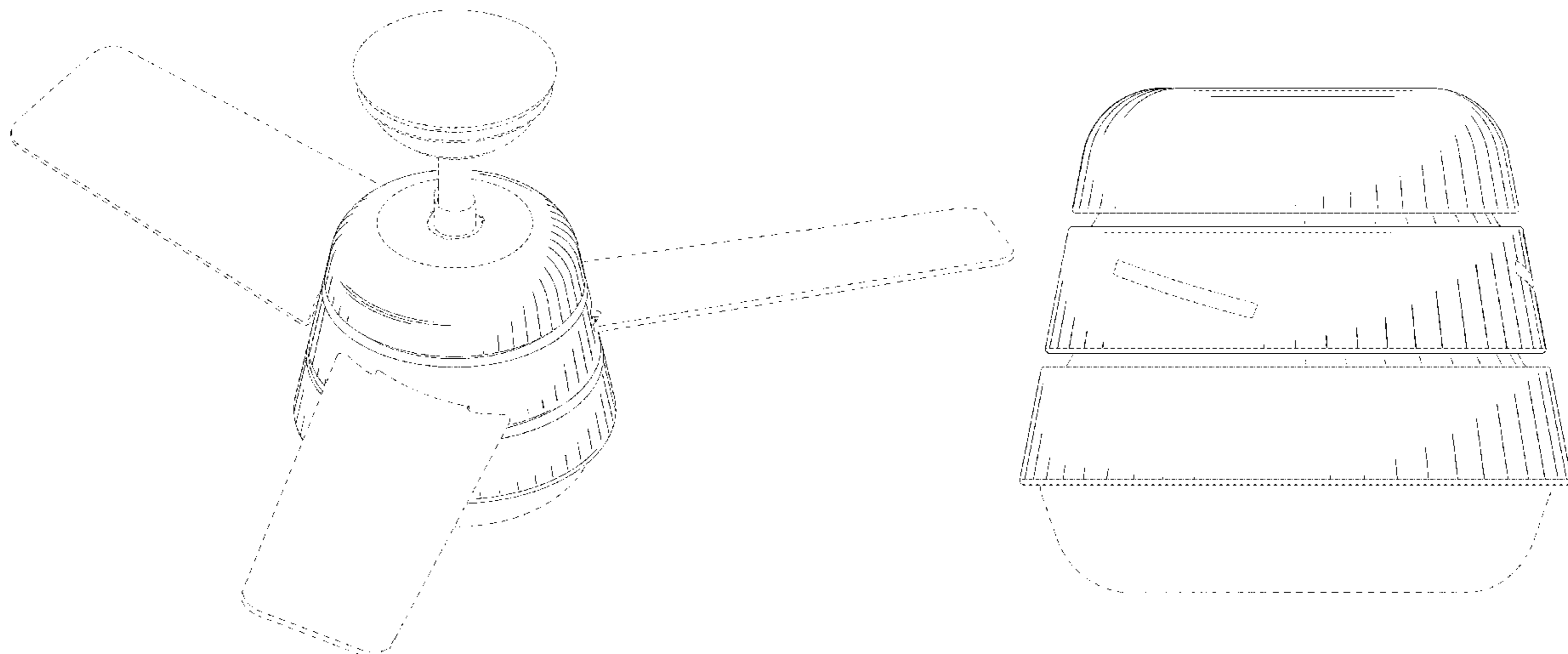
(57) **CLAIM**

The ornamental design for a ceiling fan motor housing, as shown and described.

**DESCRIPTION**

FIG. 1 is a top perspective view of a ceiling fan motor housing showing my new design in the environment of a ceiling fan;  
FIG. 2 is a bottom perspective view thereof;  
FIG. 3 is a rear side thereof;  
FIG. 4 is a left side view thereof; and  
FIG. 5 is a front side view thereof;  
FIG. 6 is a right side view thereof;  
FIG. 7 is a bottom view thereof; and,  
FIG. 8 is a top view thereof.  
The broken lines showing a ceiling fan in FIG. 1 illustrate environmental subject matter only and form no part of the claimed design. All other broken lines depict portions of the ceiling fan motor housing that form no part of the claimed design.

**1 Claim, 8 Drawing Sheets**



(56)

**References Cited**

U.S. PATENT DOCUMENTS

D796,024 S	8/2017	Holmes	
D803,384 S	* 11/2017	Wang .....	D23/411
D804,629 S	12/2017	McRoberts et al.	
D804,630 S	12/2017	Holmes et al.	
D804,639 S	12/2017	Guthrie	
D810,915 S	2/2018	Guthrie et al.	
D810,917 S	2/2018	Holmes	
D822,192 S	* 7/2018	Haggar .....	D23/411
D825,052 S	* 8/2018	Guthrie .....	D23/411
D826,395 S	* 8/2018	McRoberts .....	D23/411
D827,123 S	* 8/2018	Guthrie .....	D23/411
D838,356 S	* 1/2019	Haggar .....	D23/411
D844,769 S	* 4/2019	McRoberts .....	D23/411
D855,172 S	* 7/2019	Holmes .....	D23/411
2005/0249598 A1	11/2005	Young	

OTHER PUBLICATIONS

<http://www.kichlerlightinglights.com/product/kichler-lighting-vassar-indoor-ceiling-fans-300175wh.html?page=1>, Item Specification for

Kichler 300175WH, Model No. 300175WH, Accessed on Oct. 27, 2016.

<http://www.homedepot.com/p/Hampton-Bay-Marlton-52-in-Indoor-Liquid-Nickel-Ceiling-Fan-YG305-LN/202529593>, Item Specification for Hampton Bay Marlton 52 in. Indoor Liquid Nickel Ceiling Fan, Model No. YG305-LN, Accessed on Oct. 27, 2016.

<http://www.kichler.com/products/product/56-ellys-ceiling-fan-ni-300239ni.aspx>, Item Specification for Ellys Collection 56" Ellys Ceiling Fan NI, Model No. 300239NI, Accessed on Oct. 27, 2016.

<http://www.montecarlofans.com/50446/52-Discus-Trio---Brushed-Steel-3DIR52BSD.html>, Item Specification for Monte Carlo Discus Trio Collection, Model No. 3DIR52BSD, Accessed on Oct. 27, 2016.

<http://ceilingfans.emerson.com/shop/en/fan/midway-eco-fan-p-cf955>, Item Specification for Emerson Midway Eco, Model No. CF955BS, Accessed on Oct. 27, 2016.

<http://kingoffans.com/#/products/ceilingFans>, Item Specification for Windward, Model No. 54404, Accessed on Oct. 27, 2016.

\* cited by examiner

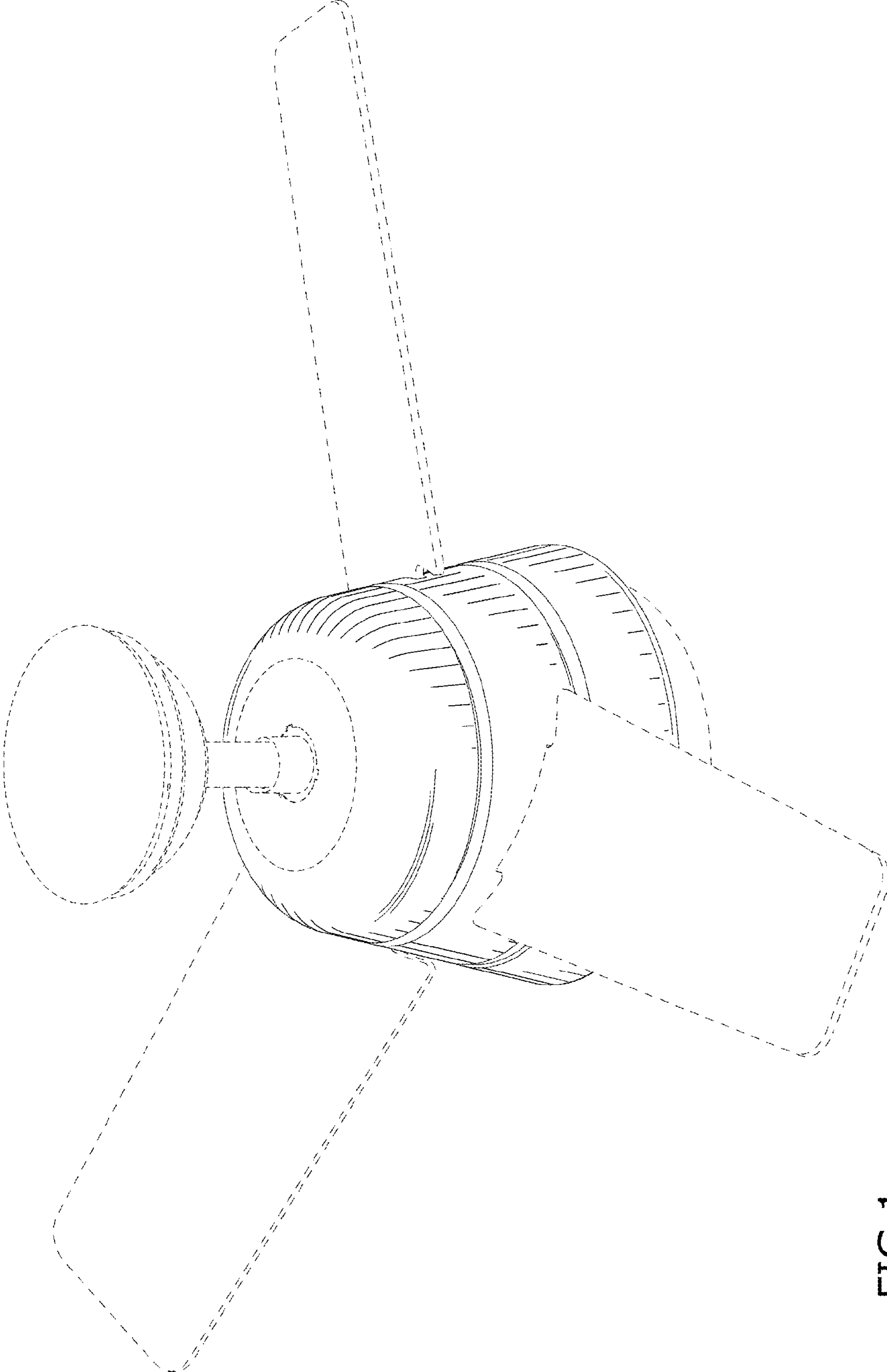


FIG.1

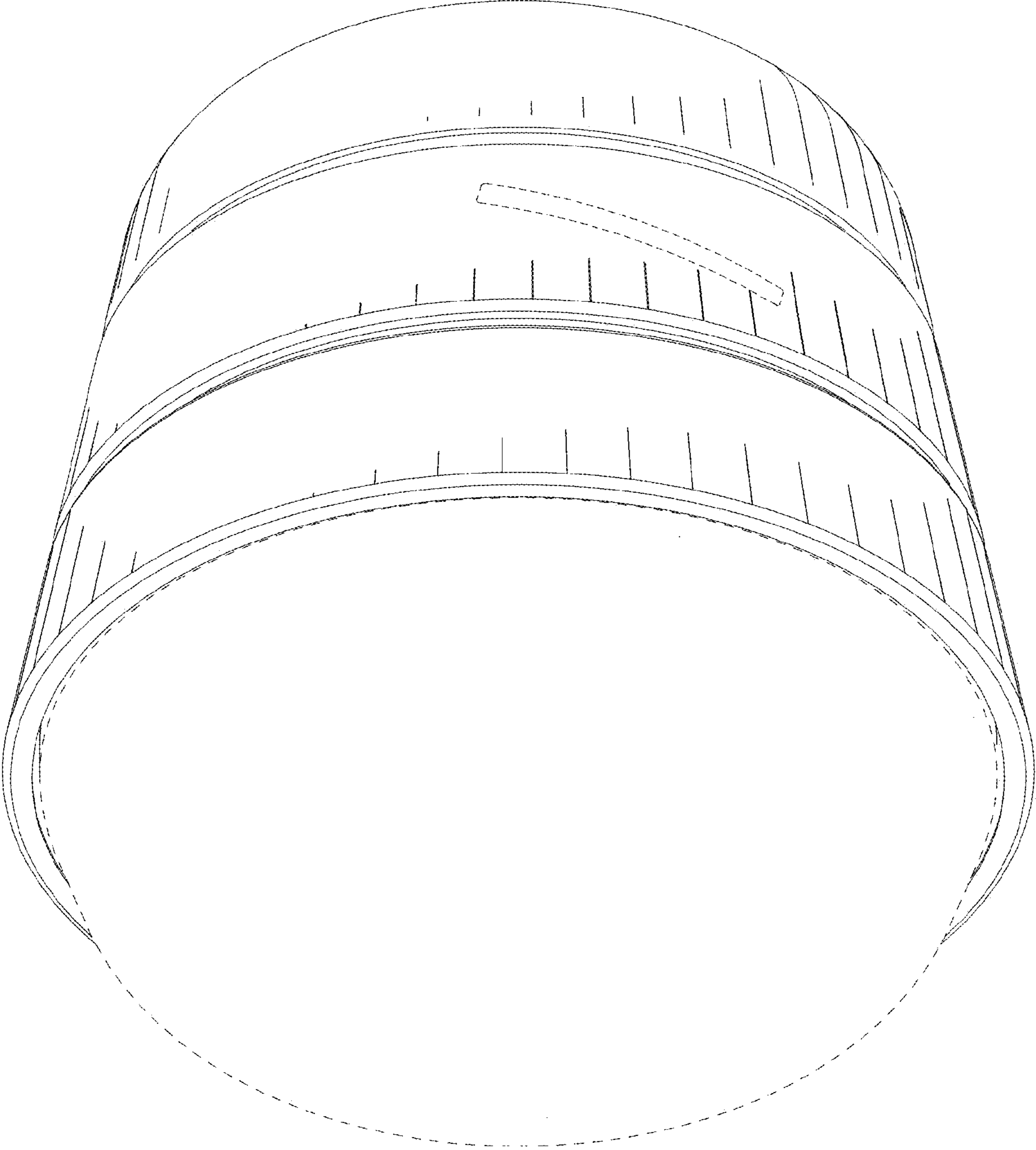


FIG.2

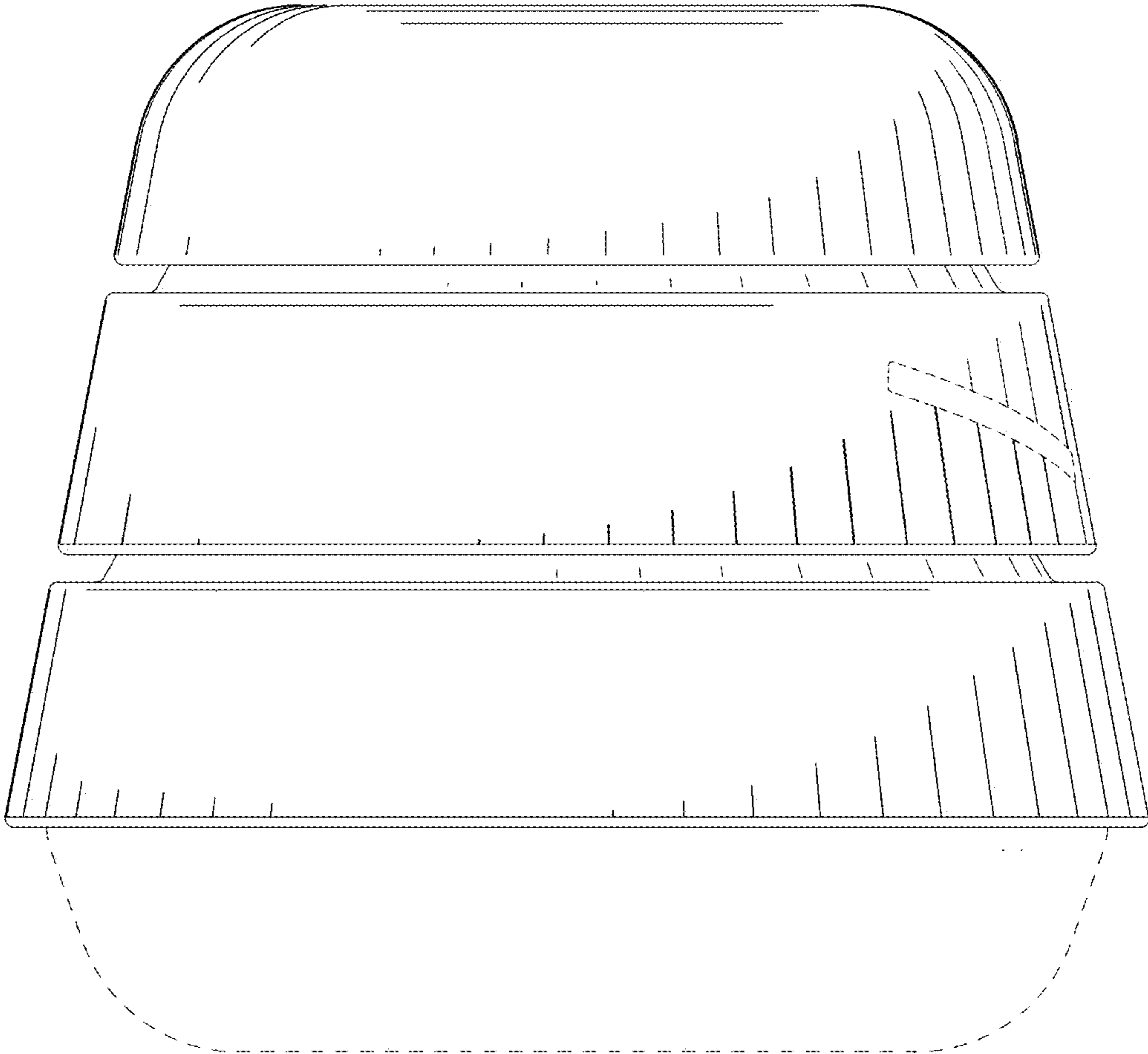


FIG.3

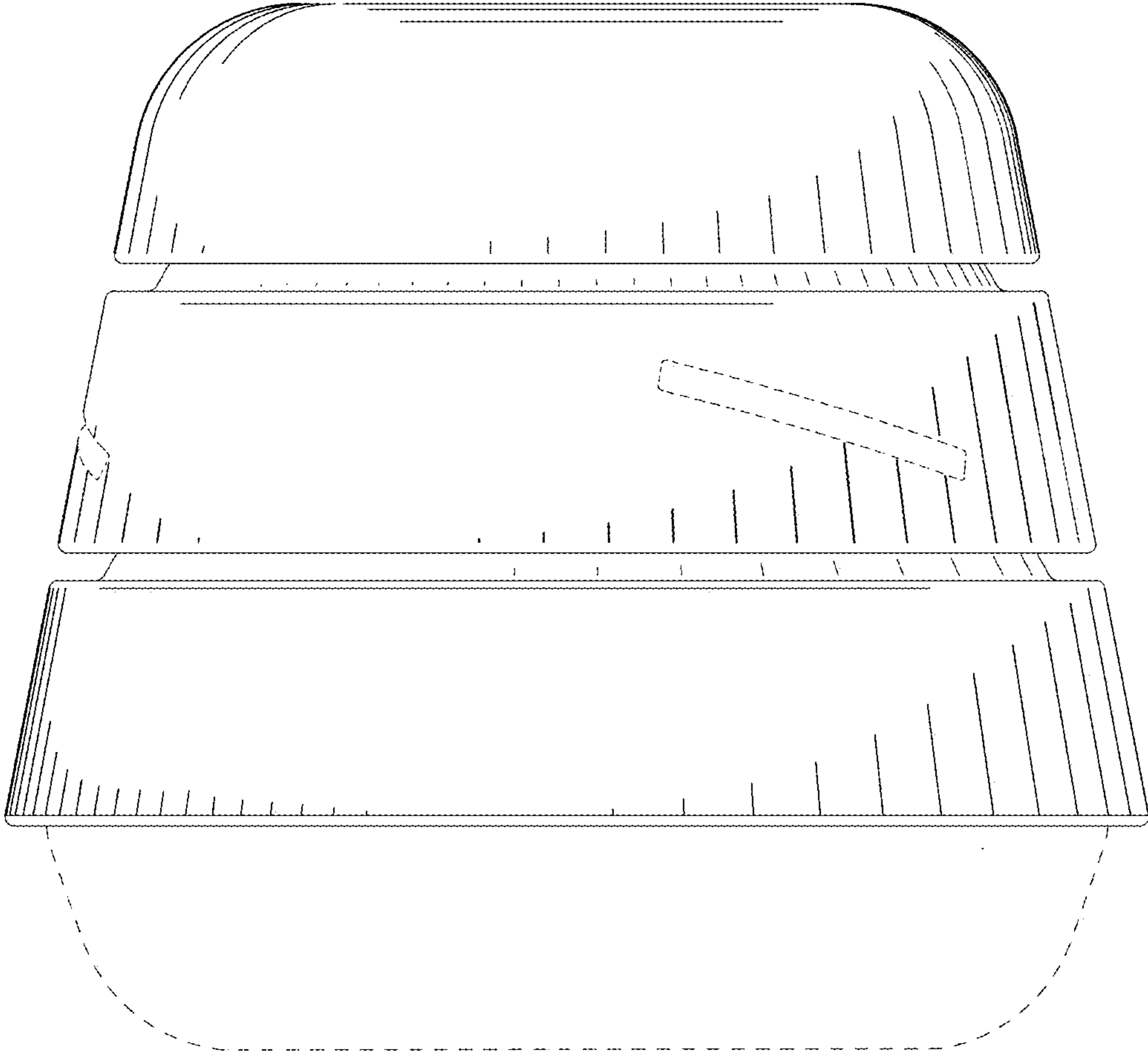


FIG.4

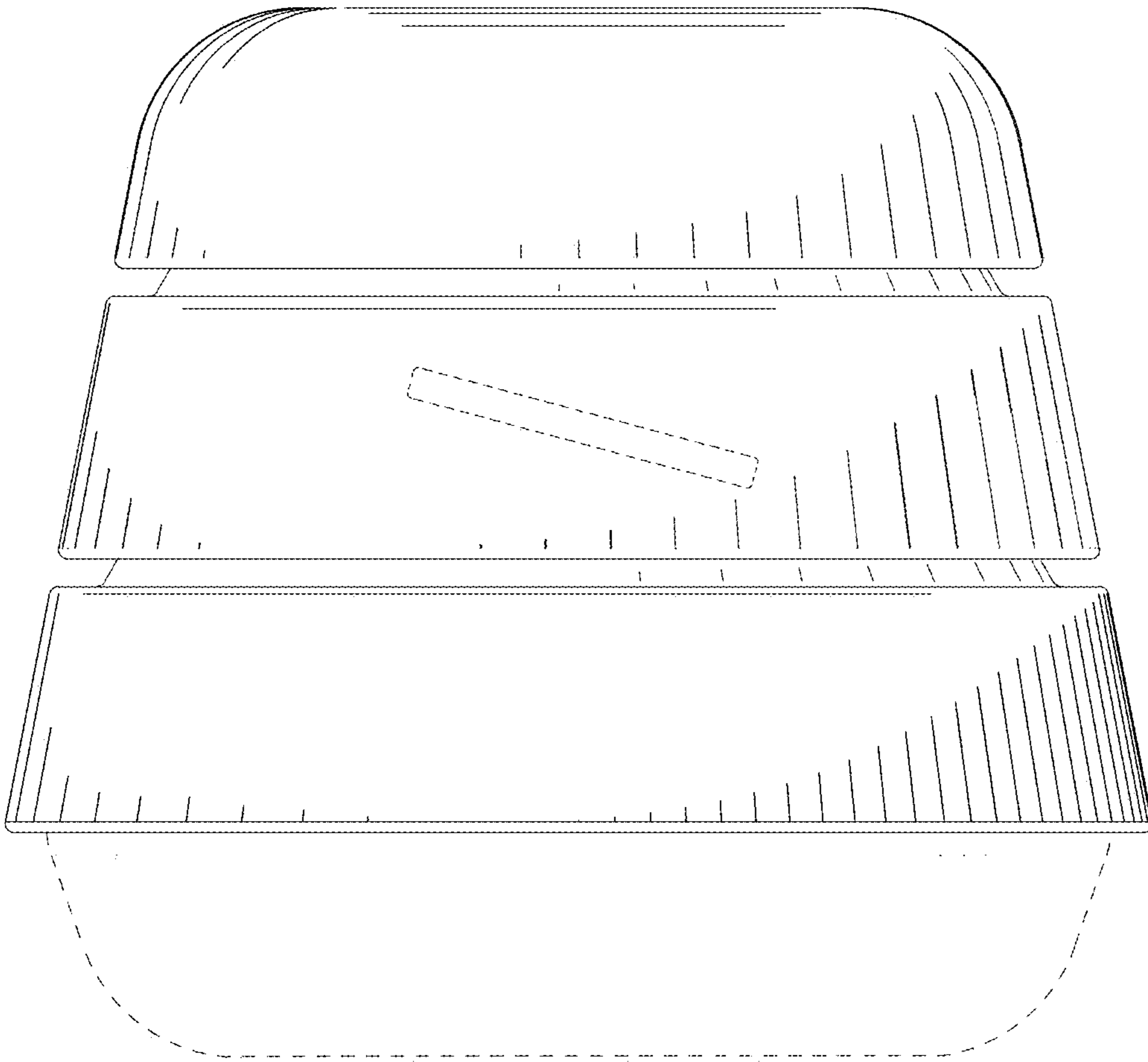


FIG.5

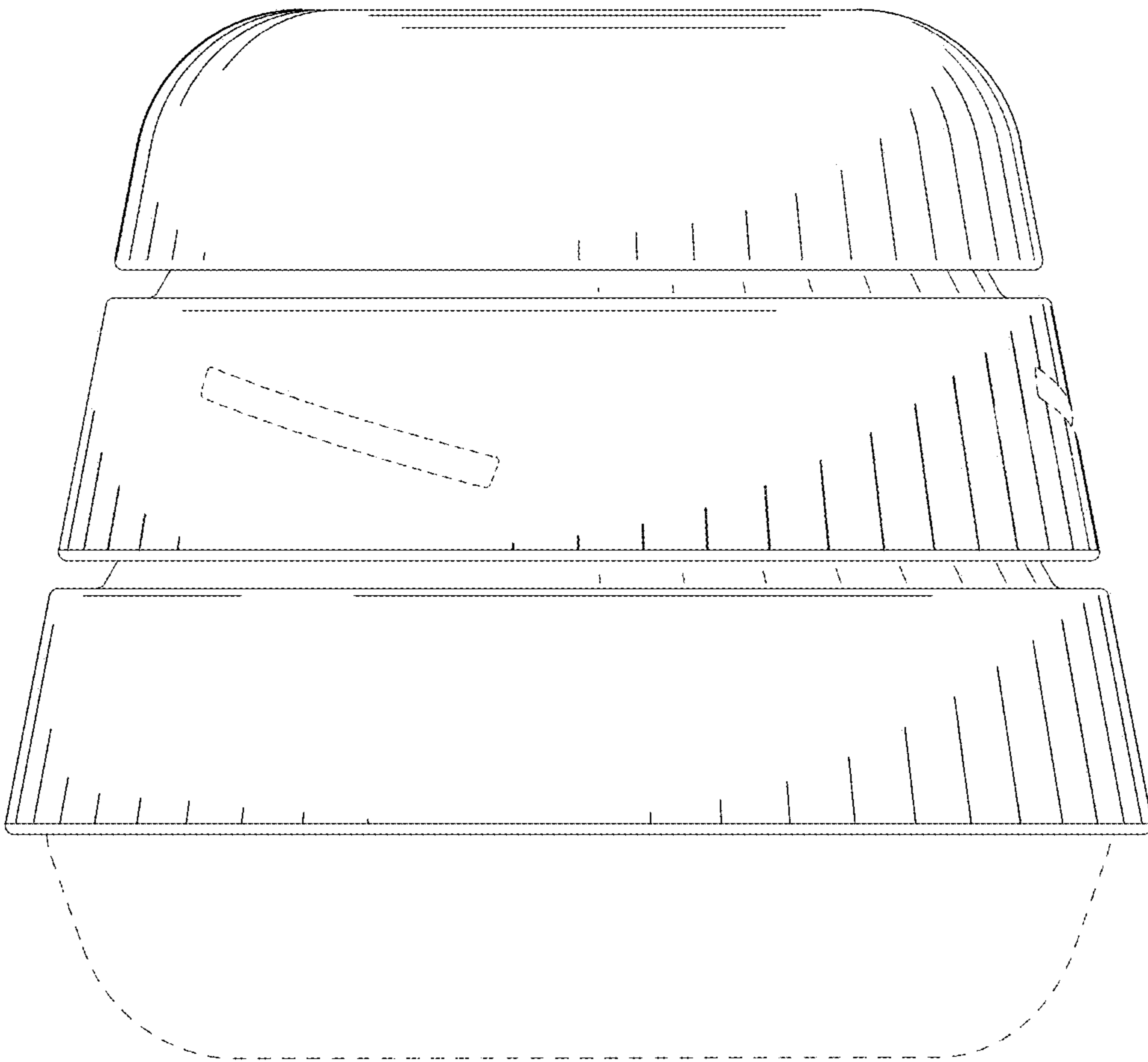


FIG.6



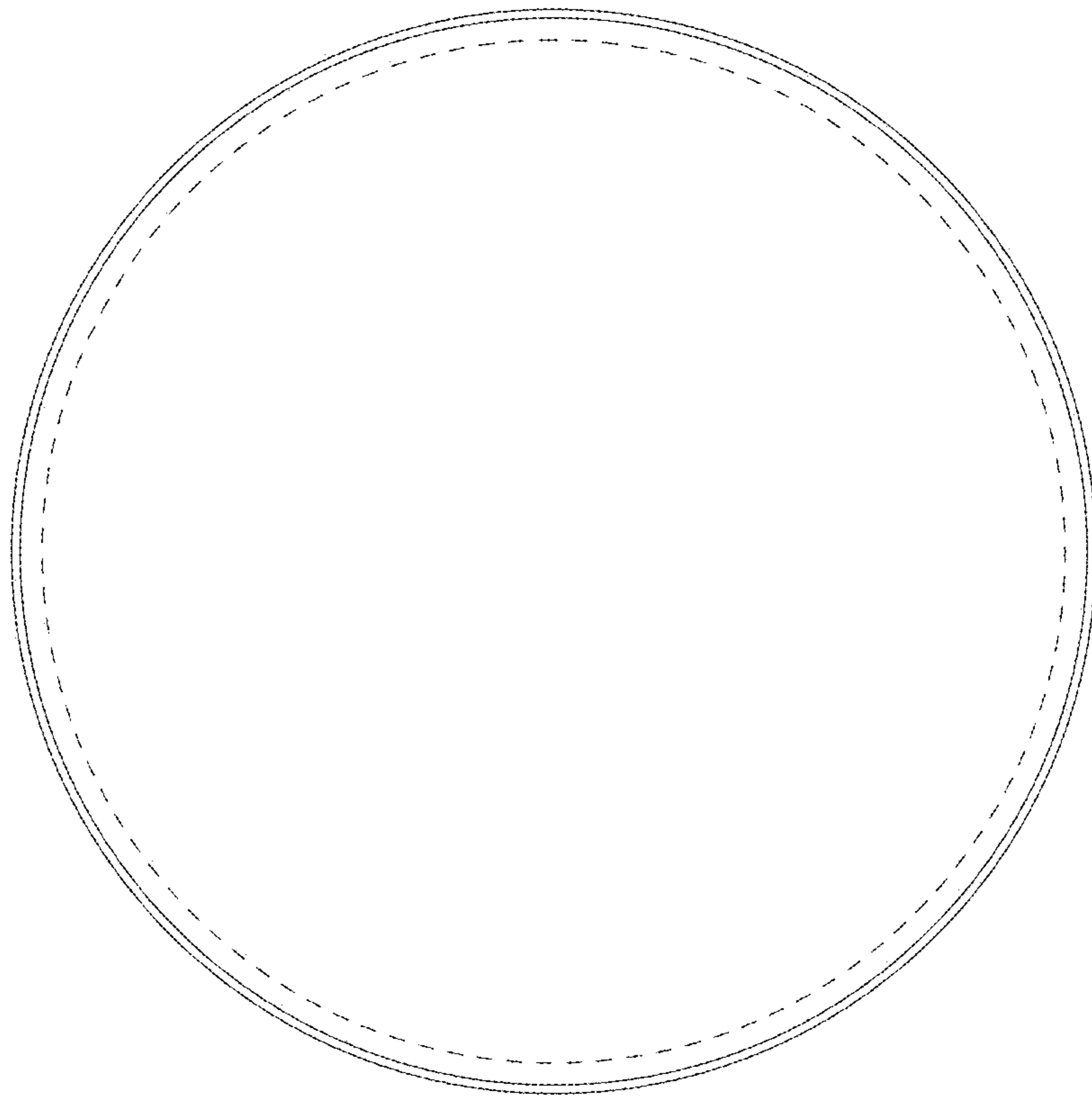


FIG.7

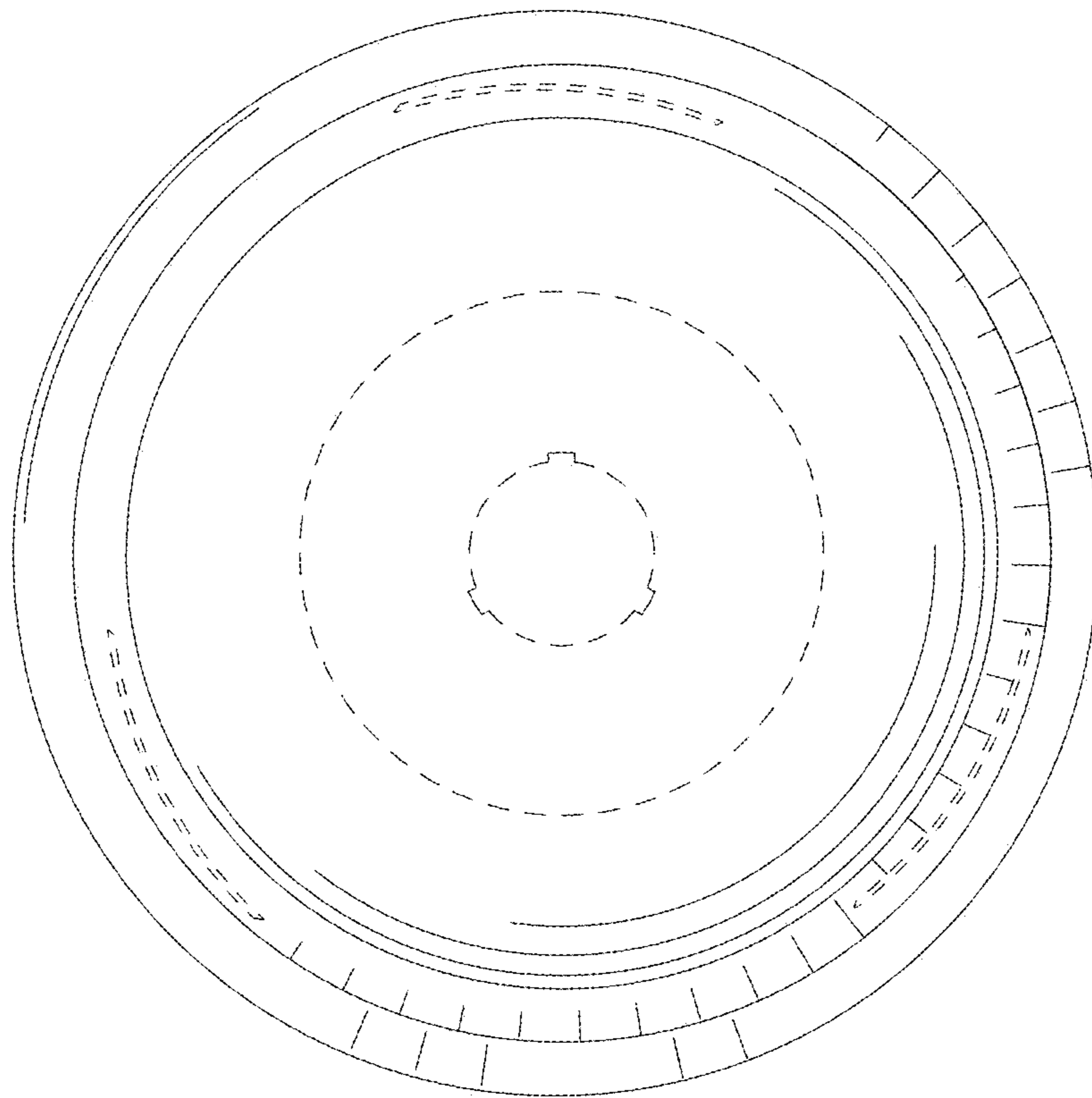


FIG. 8