



US00D875919S

(12) **United States Design Patent**
Haggar et al.

(10) **Patent No.:** **US D875,919 S**

(45) **Date of Patent:** **** Feb. 18, 2020**

(54) **CEILING FAN MOTOR HOUSING**

(71) Applicant: **HUNTER FAN COMPANY,**
Memphis, TN (US)

(72) Inventors: **Alexander Jonathan Haggar,**
Memphis, TN (US); **Christophe**
Badarello, Holly Springs, TN (US)

(73) Assignee: **Hunter Fan Company,** Memphis, TN
(US)

(**) Term: **15 Years**

(21) Appl. No.: **29/621,744**

(22) Filed: **Oct. 11, 2017**

Related U.S. Application Data

(62) Division of application No. 29/581,188, filed on Oct.
17, 2016, now Pat. No. Des. 807,491.

(51) **LOC (12) Cl.** **23-04**

(52) **U.S. Cl.**
USPC **D23/411**

(58) **Field of Classification Search**
USPC ... D26/59, 24, 118, 119, 121–124, 128–137;
D23/370, 377–382, 411–414
CPC F04D 25/088; F04D 29/38; F21V 21/03;
B63H 1/16
See application file for complete search history.

(56) **References Cited**

U.S. PATENT DOCUMENTS

D304,229 S	10/1989	Rezek
D319,842 S	9/1991	Tanda
D342,311 S	12/1993	Rezek
D346,439 S	4/1994	Liu
D346,858 S	5/1994	Lee
D386,257 S	11/1997	Liu
D421,797 S	3/2000	Collmar
D445,887 S	7/2001	Campbell
D449,682 S	10/2001	Gajewski

D453,563 S	2/2002	Bogazzi
D462,756 S	9/2002	Liu
D476,411 S	6/2003	Friedes
D477,068 S	7/2003	Hsieh
D477,396 S	7/2003	Campbell
D478,974 S	8/2003	Hidalgo
D492,762 S	7/2004	Young
D519,624 S	4/2006	Chen

(Continued)

OTHER PUBLICATIONS

<https://www.amazon.com/Minka-Aire-F824-ORB-TB-Oil-Rubbed-Ceiling/dp/B002ZXG6DU?th=1>, Item Specification for Minka-Aire F824-BK/CH, Uchiwa, 56" Ceiling Fan with Light, accessed on Oct. 12, 2016.

(Continued)

Primary Examiner — Janice Hallmark

(74) *Attorney, Agent, or Firm* — McGarry Bair PC

(57) **CLAIM**

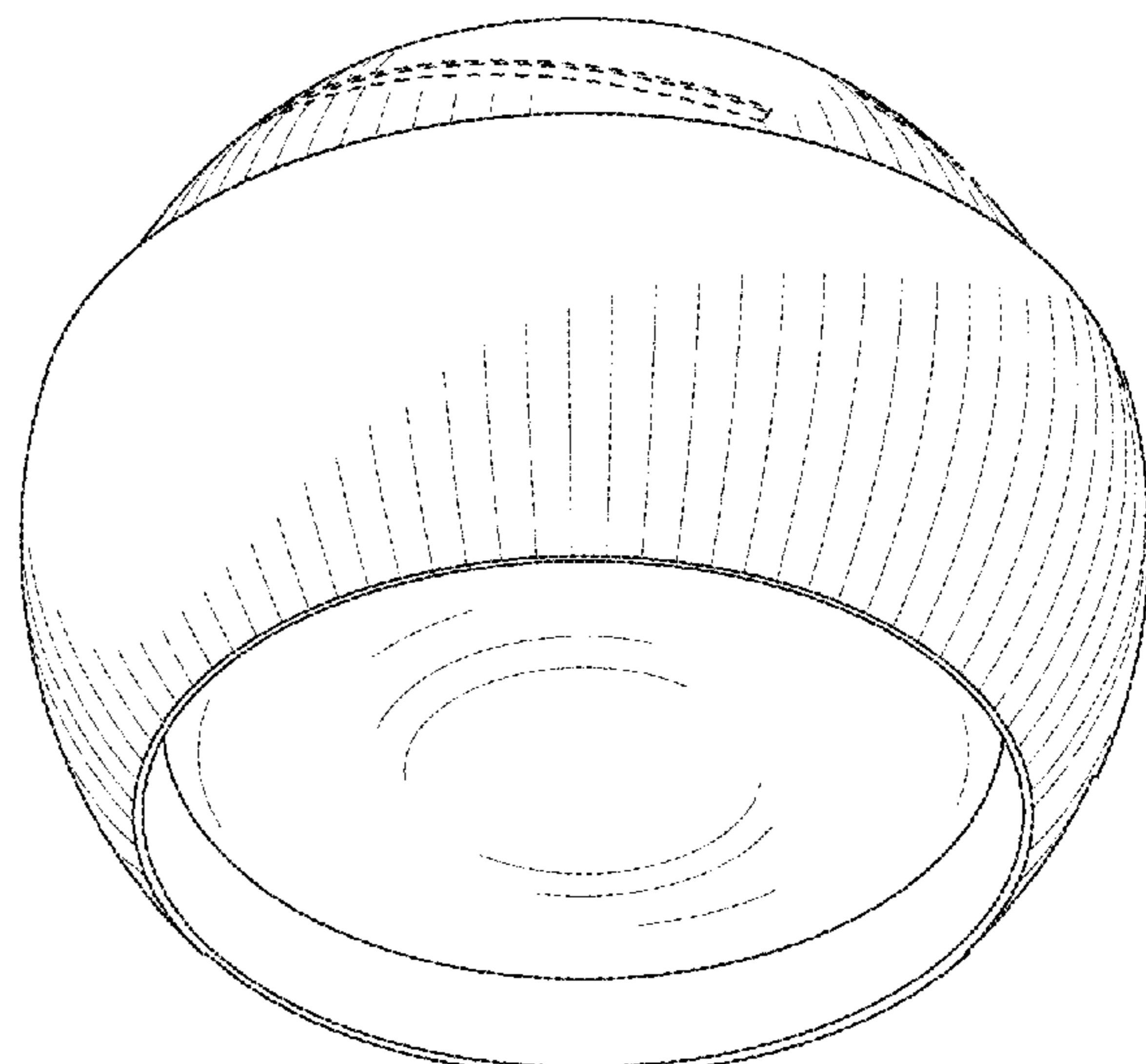
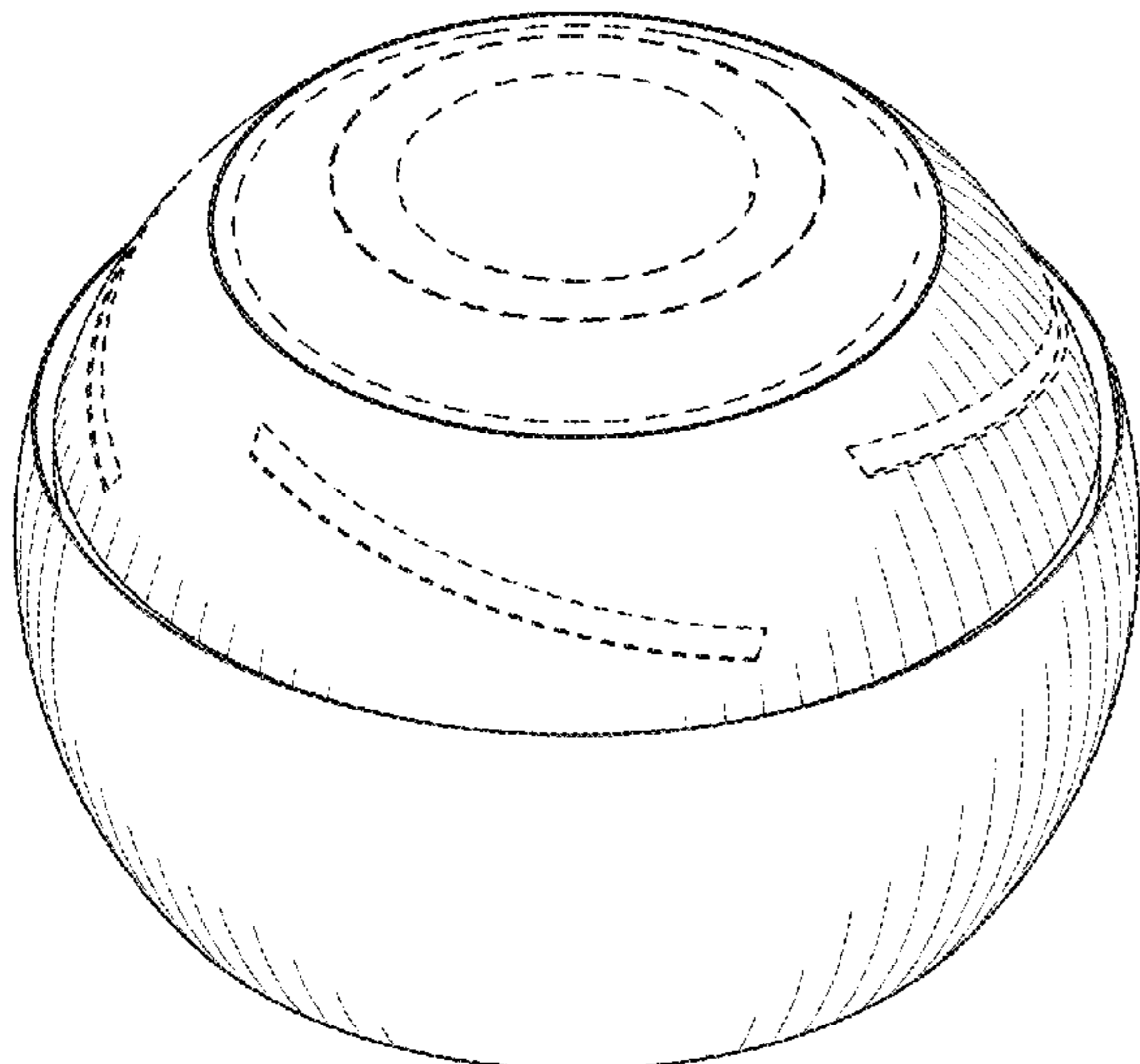
The ornamental design for a ceiling fan motor housing, as shown and described.

DESCRIPTION

FIG. 1 is a top perspective view of a ceiling fan motor housing showing my new design in the environment of a ceiling fan;
FIG. 2 is a top perspective view thereof;
FIG. 3 is a bottom perspective thereof;
FIG. 4 is a front side view thereof with the rear, right, and left side views being identical;
FIG. 5 is a bottom view thereof; and,
FIG. 6 is a top view thereof.

The broken lines showing a ceiling fan in FIG. 1 illustrate environmental subject matter only and form no part of the claimed design. All other broken lines depict portions of the ceiling fan motor housing that form no part of the claimed design.

1 Claim, 5 Drawing Sheets



(56)

References Cited

OTHER PUBLICATIONS

U.S. PATENT DOCUMENTS

D523,138 S 6/2006 Burns
 D525,699 S 7/2006 Davenport et al.
 D535,014 S 1/2007 Pickett
 D549,814 S 8/2007 Gajewski
 D556,939 S * 12/2007 Gajewski D26/128
 D556,940 S 12/2007 Gajewski
 D566,321 S * 4/2008 Pickett D26/128
 D572,817 S 7/2008 Kuwano et al.
 D598,999 S 8/2009 Hidalgo
 D599,003 S 8/2009 Hidalgo
 D618,786 S 6/2010 Hidalgo
 D663,455 S 7/2012 Glasbrenner
 D708,314 S 7/2014 Pan
 D743,523 S 11/2015 Ertze
 D744,629 S 12/2015 Wang
 D745,655 S 12/2015 Pickett
 D750,219 S * 2/2016 Gajewski D23/411
 D785,156 S 4/2017 Wang
 D803,384 S * 11/2017 Wang D23/411
 D809,691 S * 2/2018 Wang D26/59
 D816,676 S * 5/2018 Badarello D23/411
 D834,173 S * 11/2018 Holmes D23/411
 D844,769 S * 4/2019 McRoberts D23/411
 D850,604 S * 6/2019 Gajewski D23/377
 2015/0198180 A1 * 7/2015 Gajewski F04D 25/088
 416/247 R
 2016/0319842 A1 11/2016 Botkin

<http://www.kichler.com/products/product/52-inch-makoda-fan-obb-300137obb.aspx>, Item Specification for Kichler Makoda 52 Inch Makoda Fan OBB 300137OBB (Oil Brushed Bronze), accessed on Oct. 12, 2016.
<http://www.montecarlofans.com/44077/56in-Skylon-Satin-Nickel-3SKYR56SND.html>, Item Specification for Monte Carlo Skylon Collection Product #: 3SKYR56SND, accessed on Oct. 12, 2016.
<http://www.montecarlofans.com/38110/52-Nikki---Polished-Nickel-5NKR52PND.html>, Item Specification for Monte Carlo Nikki Collection Product #: 5NKR52PND, accessed on Oct. 12, 2016.
<http://www.homedepot.com/p/Hampton-Bay-Wollaston-52-in-LED-Indoor-Polished-Nickel-Ceiling-Fan-YG338-PN/206641622>, Item Specification for Hampton Bay Wollaston 52 in. LED Indoor Polished Nickel Ceiling Fan, accessed on Oct. 12, 2016.
<https://www.creoven.eu/en/ceiling-fans/with-lighting/120-139-cm/leds-c4-design-ceiling-fan-mauritius-132-cm-52-with-included-lighting/a-300009/>, Item No. 30-0009-N3-B8, LEDS-C4 Design Ceiling Fan Mauritius 132 cm / 52" with lighting, accessed on Oct. 11, 2017.
<https://usa.flos.com/modern-floor-lamps/arco/>, Arco Floor Lamp 1960's Series by Achille Castiglioni, accessed Oct. 11, 2017.

* cited by examiner

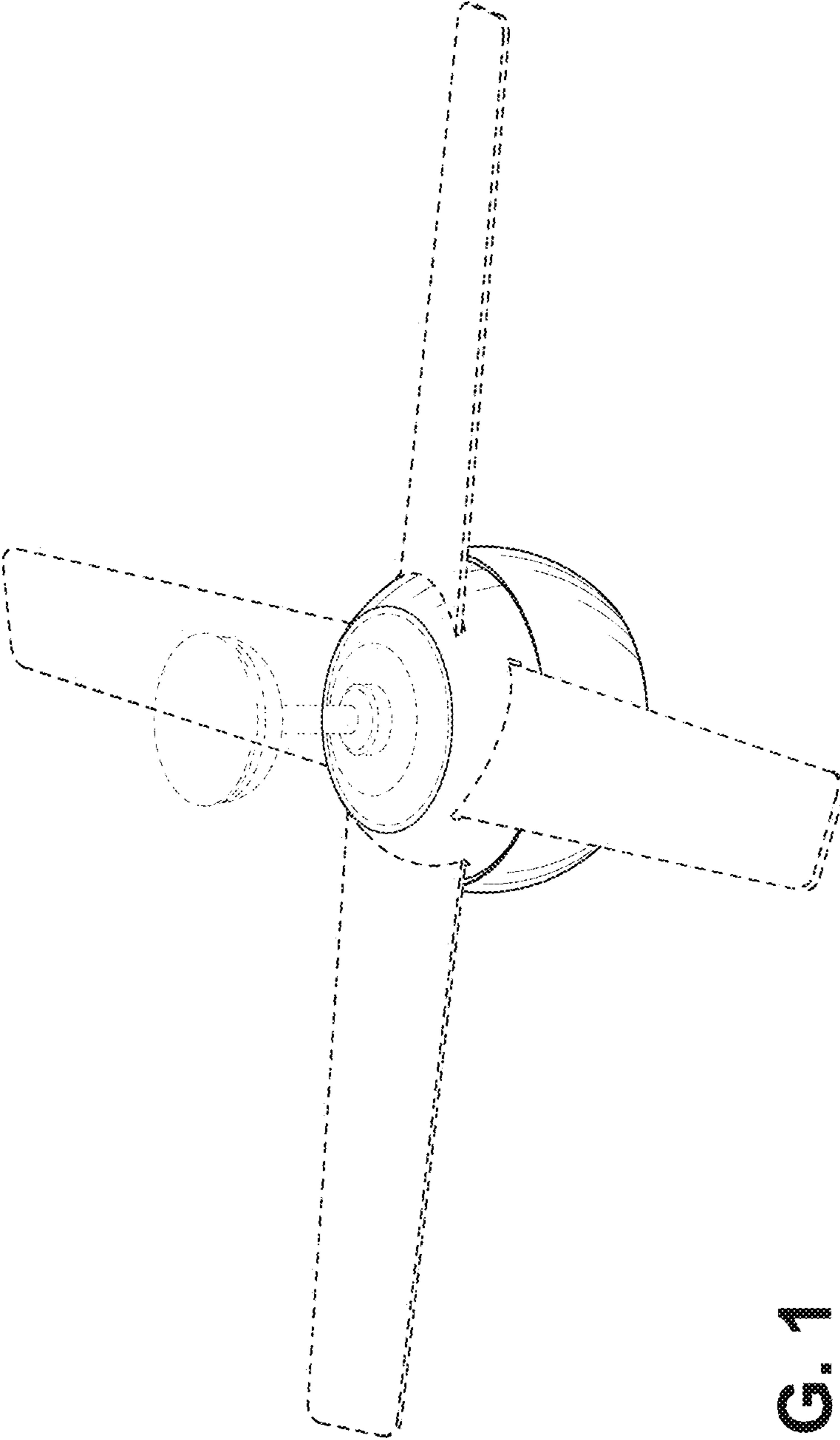


FIG. 1

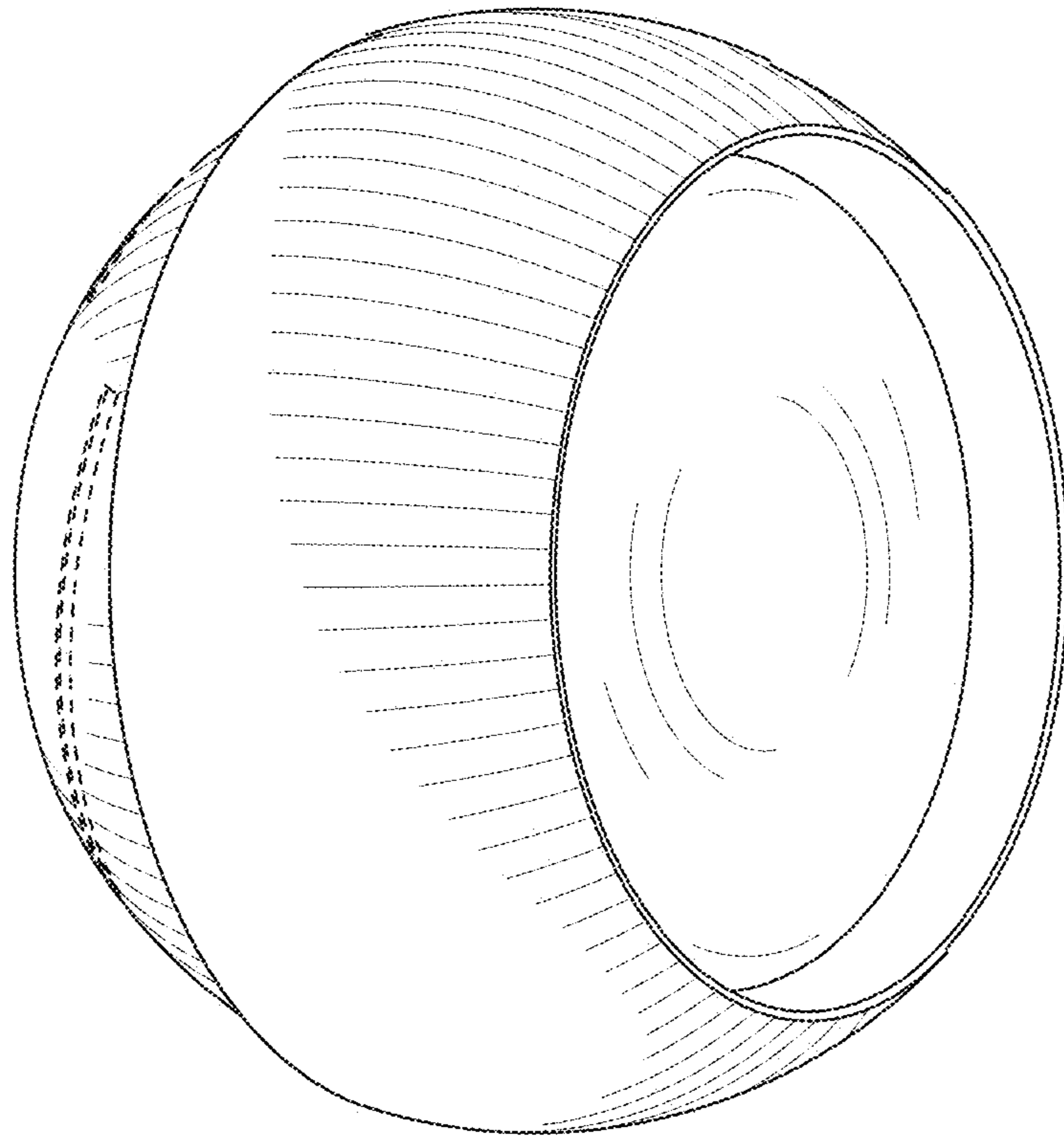


FIG. 3

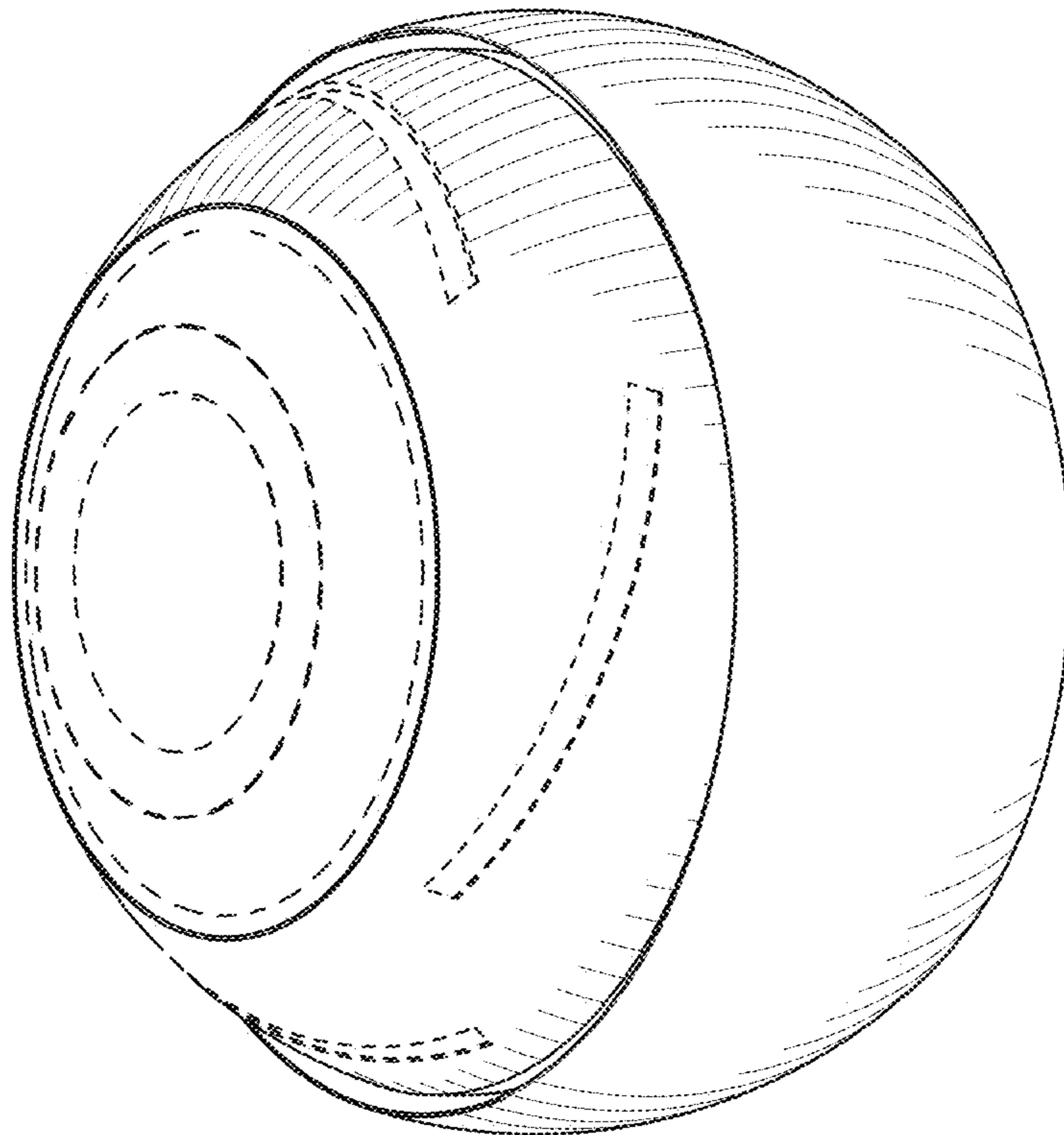


FIG. 2

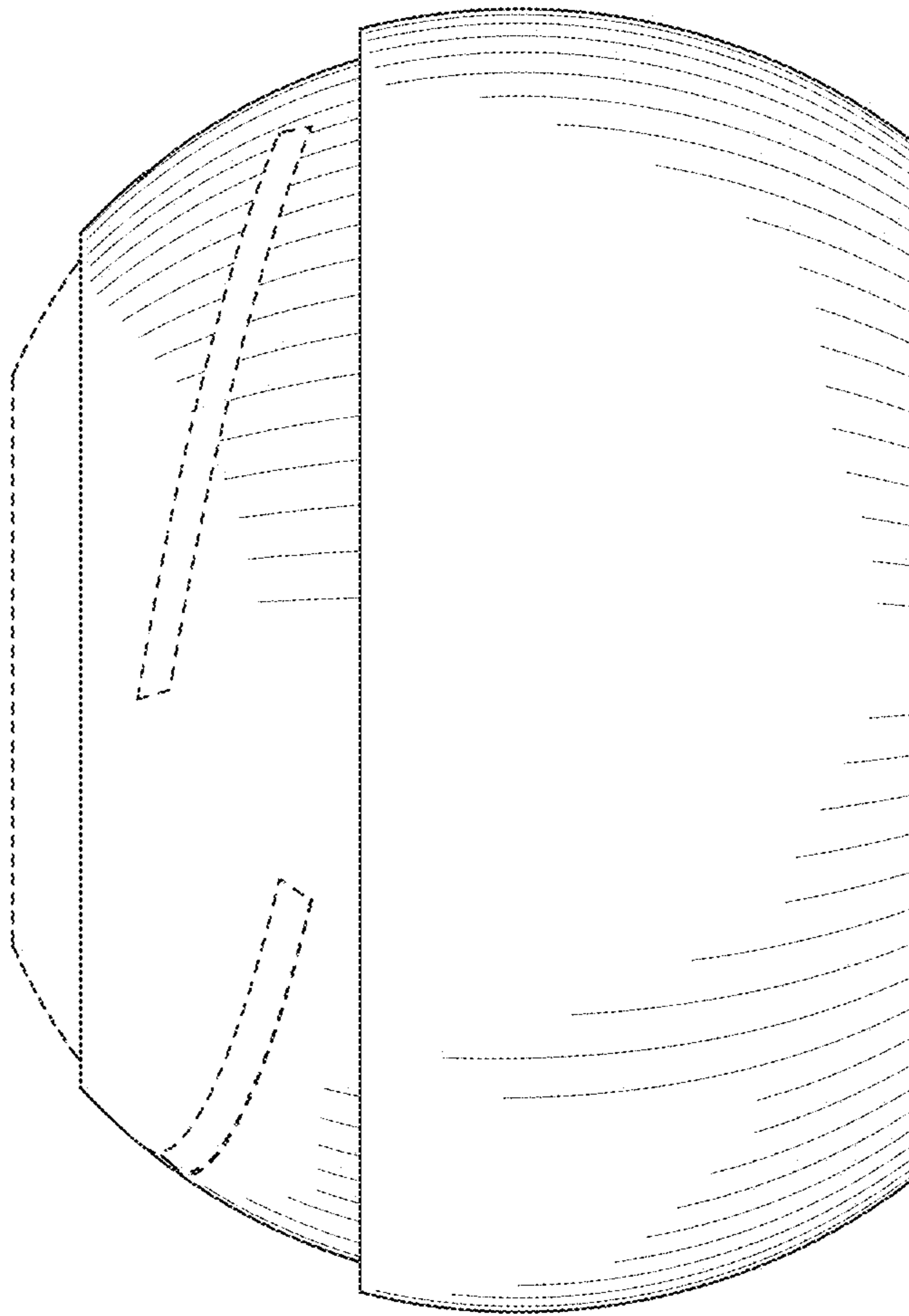


FIG. 4

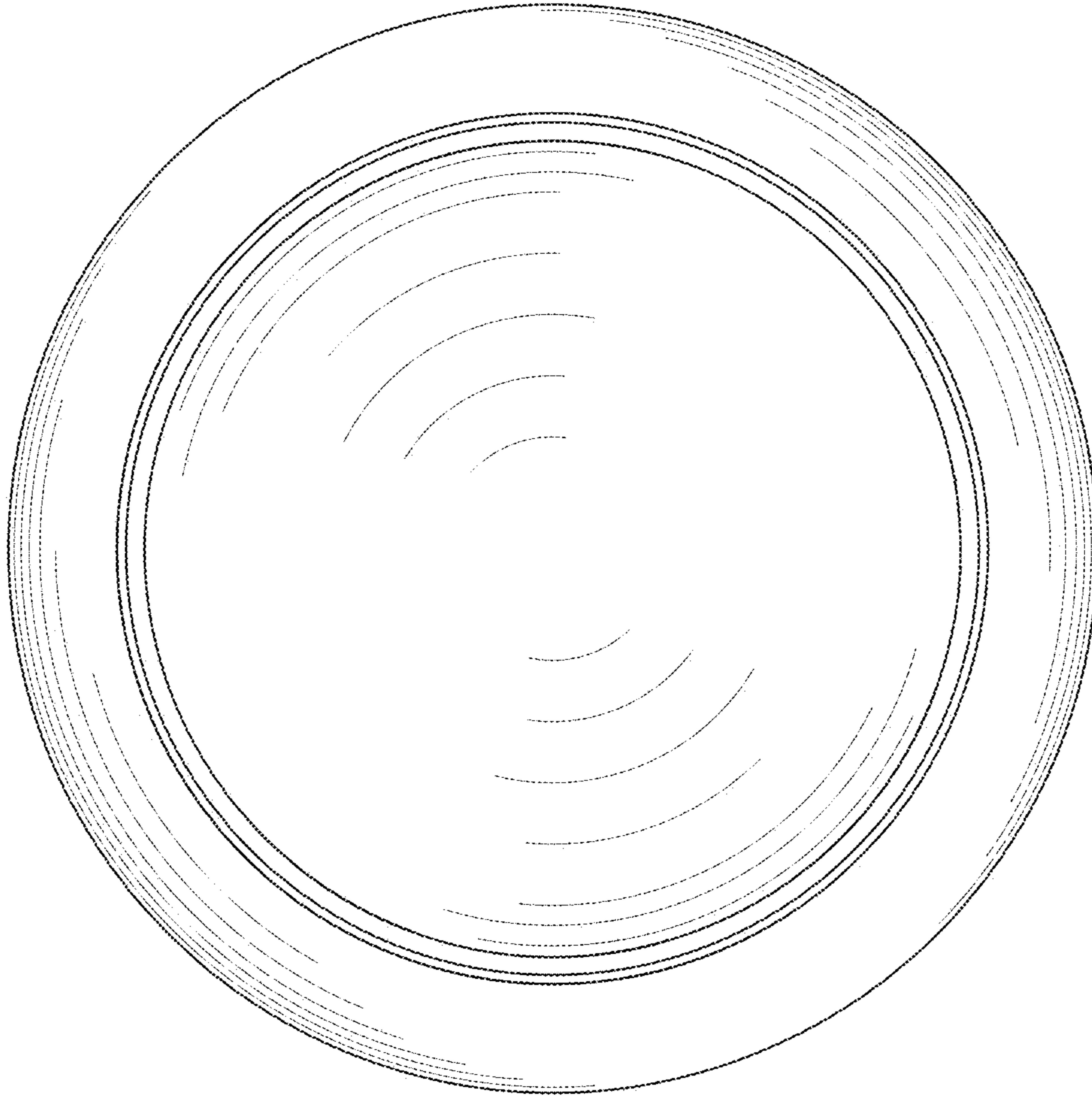


FIG. 5

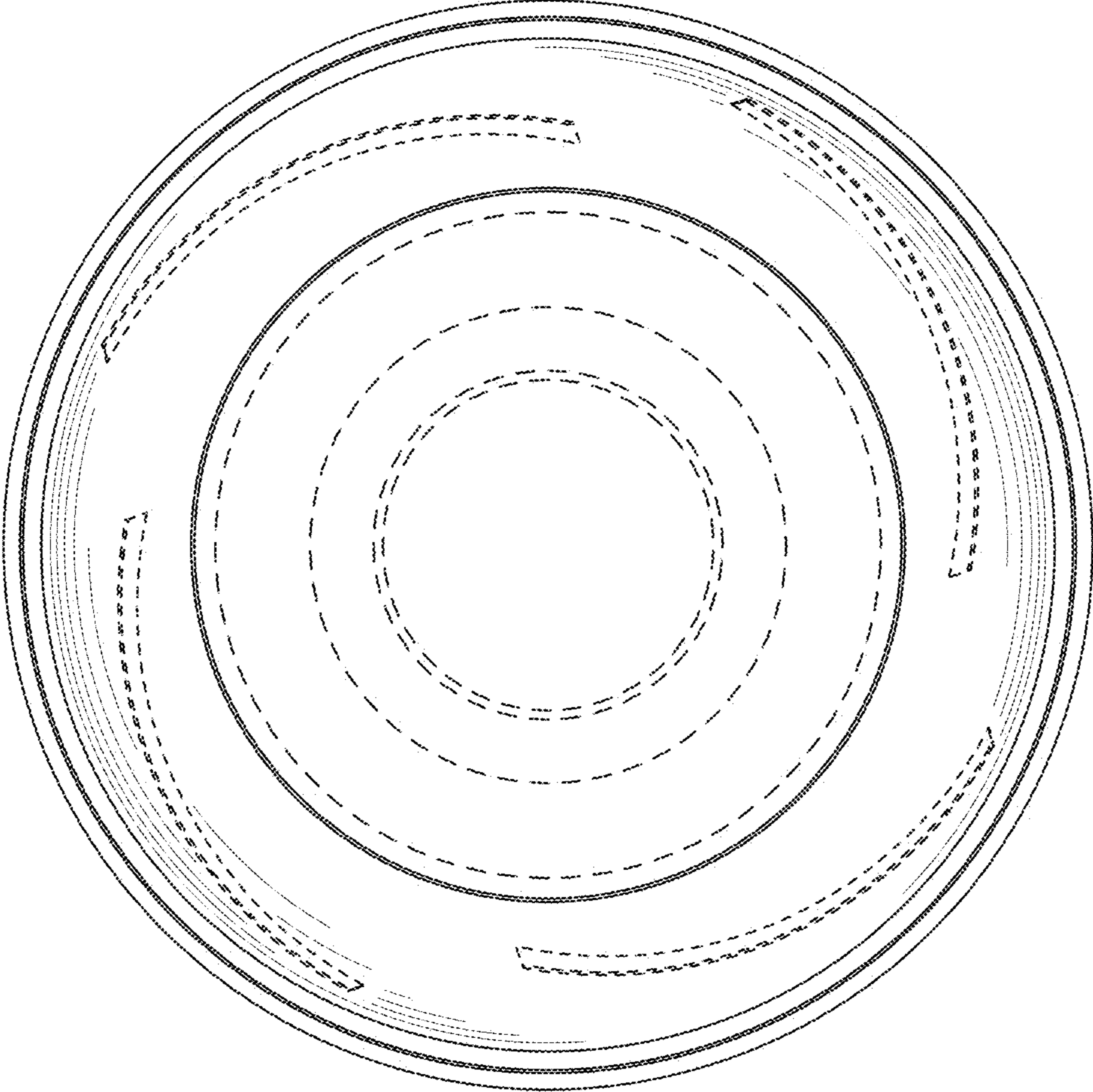


FIG. 6