



US00D875918S

(12) **United States Design Patent** (10) **Patent No.:** **US D875,918 S**  
**Haggar** (45) **Date of Patent:** **\*\* Feb. 18, 2020**

- (54) **CEILING FAN MOTOR HOUSING**
- (71) Applicant: **HUNTER FAN COMPANY**,  
Memphis, TN (US)
- (72) Inventor: **Alexander Jonathan Haggar**,  
Memphis, TN (US)
- (73) Assignee: **Hunter Fan Company**, Memphis, TN  
(US)

- D515,686 S 2/2006 Young
  - D594,542 S 6/2009 Pan
  - D596,737 S 7/2009 Pan
  - D621,024 S 8/2010 Orozco
  - D660,952 S \* 5/2012 Spaggiari ..... D23/370
  - D704,819 S 5/2014 Wang
  - D710,001 S 7/2014 Wang
  - D741,988 S 10/2015 Pan
  - D743,522 S 11/2015 Pan
  - D771,794 S 11/2016 Wang
- (Continued)

(\*\*) Term: **15 Years**

(21) Appl. No.: **29/619,361**

(22) Filed: **Sep. 28, 2017**

**Related U.S. Application Data**

- (62) Division of application No. 29/582,299, filed on Oct. 26, 2016, now Pat. No. Des. 805,625.
- (51) **LOC (12) Cl.** ..... **23-04**
- (52) **U.S. Cl.**  
USPC ..... **D23/411**
- (58) **Field of Classification Search**  
USPC ... D26/59, 24, 118, 119, 121-124, 128-137;  
D23/370, 377-382, 411-414  
CPC ..... F04D 25/088; F04D 29/38; F21V 21/03;  
B63H 1/16  
See application file for complete search history.

(56) **References Cited**

**U.S. PATENT DOCUMENTS**

- D218,846 S \* 9/1970 Wolff ..... D26/137
- D297,974 S 10/1988 Sonneman
- D312,139 S \* 11/1990 Wang ..... D23/377
- D328,491 S 8/1992 Markwardt
- D328,785 S 8/1992 Markwardt
- D333,867 S 3/1993 Markwardt
- D344,129 S 2/1994 Markwardt
- D345,790 S 4/1994 Caldwell
- D376,641 S 12/1996 Bucher
- D510,620 S 10/2005 Young

**OTHER PUBLICATIONS**

<http://www.homedepot.com/p/Hampton-Bay-Torrington-52-in-Cottage-Wood-Ceiling-Fan-AC446-CW/100455231>, Item Specification for Hampton Bay Torrington 52 in. Cottage Wood Ceiling Fan, Model # AC446-CW, accessed on Oct. 25, 2016.

(Continued)

*Primary Examiner* — Janice Hallmark

(74) *Attorney, Agent, or Firm* — McGarry Bair PC

(57) **CLAIM**

The ornamental design for a ceiling fan motor housing, as shown and described.

**DESCRIPTION**

FIG. 1 is a top perspective view of a ceiling fan motor housing showing my new design in the environment of a ceiling fan;

FIG. 2 is a bottom perspective view thereof;

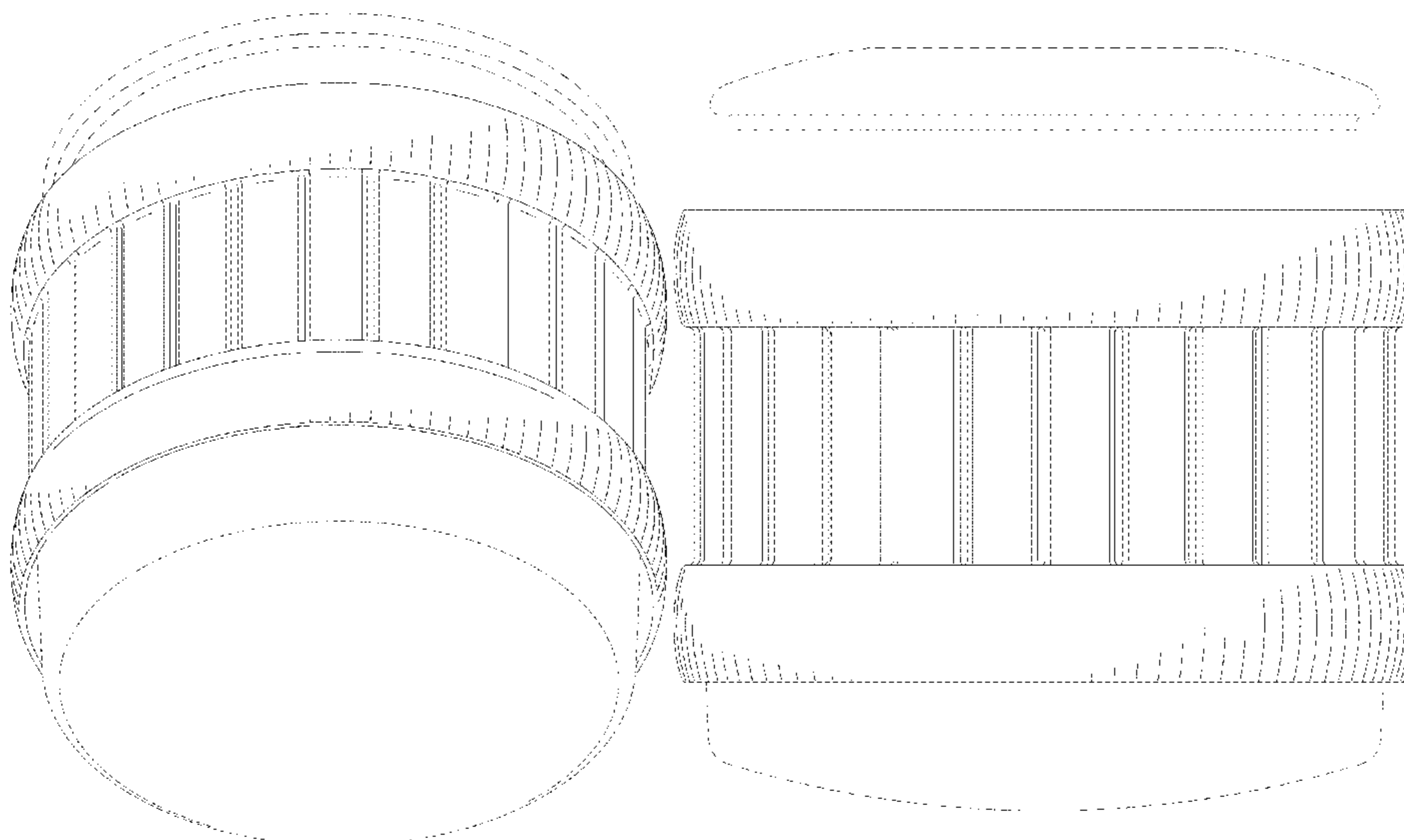
FIG. 3 is a side view thereof;

FIG. 4 is a top view thereof; and,

FIG. 5 is a bottom view thereof.

The broken lines showing a ceiling fan in FIG. 1 illustrate environmental subject matter only and form no part of the claimed design. All other broken lines depict portions of the ceiling fan motor housing that form no part of the claimed design.

**1 Claim, 5 Drawing Sheets**



(56)

**References Cited**

U.S. PATENT DOCUMENTS

D782,644 S	3/2017	Wang	
D783,796 S	4/2017	Badarello et al.	
D783,797 S	4/2017	Badarello et al.	
D788,283 S	5/2017	Busta	
D788,286 S	5/2017	Busta	
D801,514 S *	10/2017	Wang	D23/411
D801,515 S *	10/2017	Wang	D23/411
D805,625 S *	12/2017	Haggar	D23/377
D810,270 S *	2/2018	Wang	D23/411
D821,009 S *	6/2018	Holmes	D26/59
D855,172 S *	7/2019	Holmes	D23/411
D861,218 S *	9/2019	Yang	D26/59
2005/0249598 A1 *	11/2005	Young	F04D 19/024 416/198 R

OTHER PUBLICATIONS

<http://www.modernfan.com/products/pharos.html>, Item Specification for the Modern Fan Pharos, accessed on Oct. 25, 2016.

<http://www.fanimation.com/products/index.php/fans/louvre.html>, Item Specification for Fanimation Louvre Ceiling Fan, Model # MAD3255, accessed on Oct. 25, 2016.

<http://www.montecarlofans.com/49732/54in-Tillbury-Weathered-Zinc-Fan-Only-5TLR54WZC.html>, Item Specification for Monte Carlo Tillbury Collection 54in Weathered Zinc Fan, Product # 5TLR54WZC, accessed on Oct. 25, 2016.

<http://www.craftmade.com/Craftmade-TS52PT-Pewter-Ceiling-Fan.HTM>, Item Specification for Craftmade TS52PT—Townsend Pewter Ceiling Fan, accessed on Oct. 25, 2016.

<https://www.amazon.com/Hunter-Fan-Company-59211-Sentinel/dp/B01CDFZP5E>, Item Specification for Hunter Fan Company Sentinel 52in Ceiling Fan, Model # 59211, accessed on Oct. 25, 2016.

<http://www.quoruminternational.com/index.cfm/app/productDetail?product=98604-65>, Item Specification for Quorum International 98604-65 Weathered Pine Blades Ceiling Fan, accessed on Oct. 25, 2016.

<http://ceilingfans.emerson.com/shop/en/fan/highpointe-fan-p-cf205>, Item Specification for Emerson Highpointe CF205BS Ceiling Fan, accessed on Oct. 25, 2016.

[https://www.haikuhome.com/fans?\\_ga=1.242892033.2031730953.1477406486](https://www.haikuhome.com/fans?_ga=1.242892033.2031730953.1477406486), Item Specification for Haiku Fans by Big Ass Solutions, accessed on Oct. 25, 2016.

\* cited by examiner

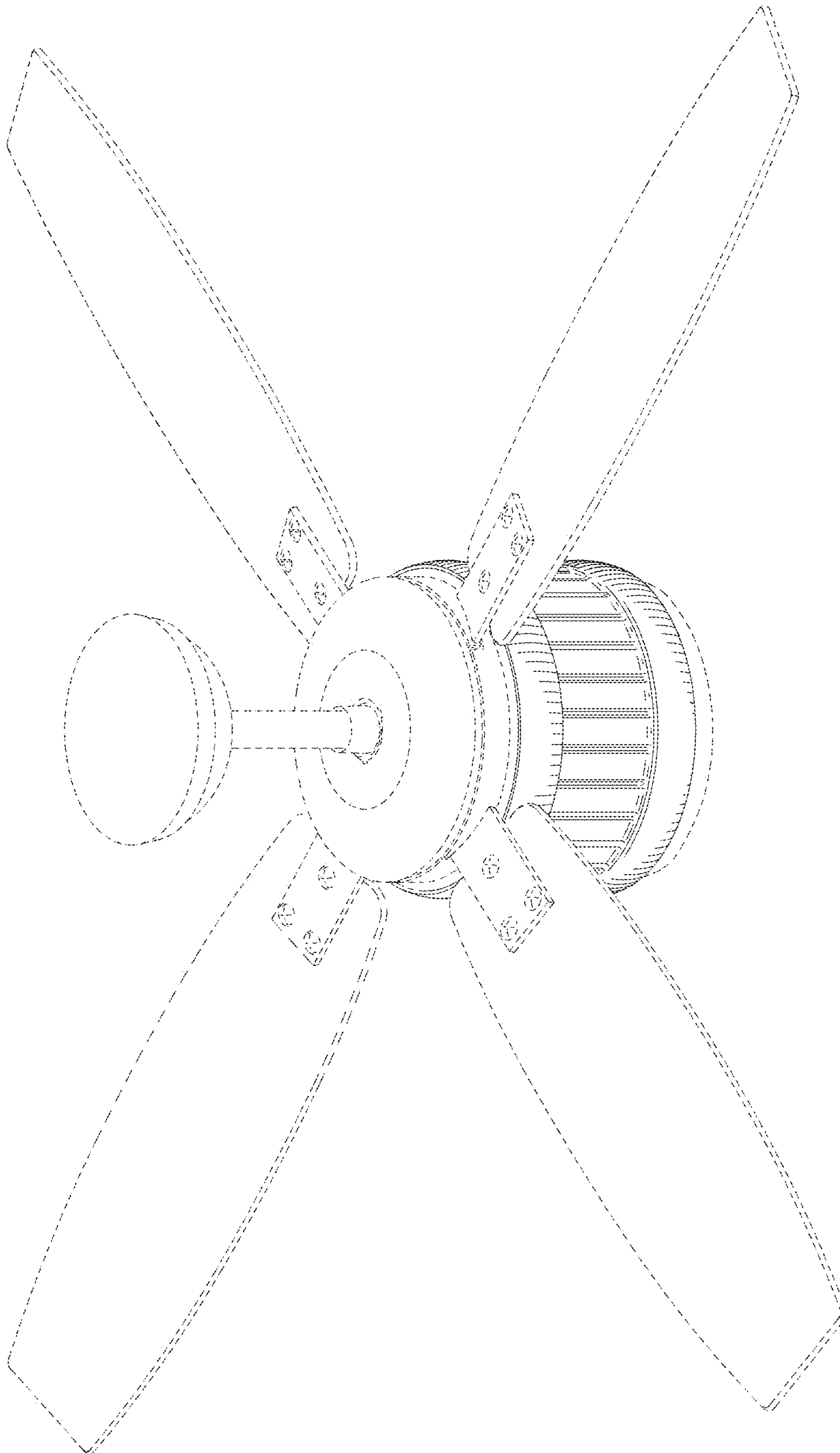


FIG. 1

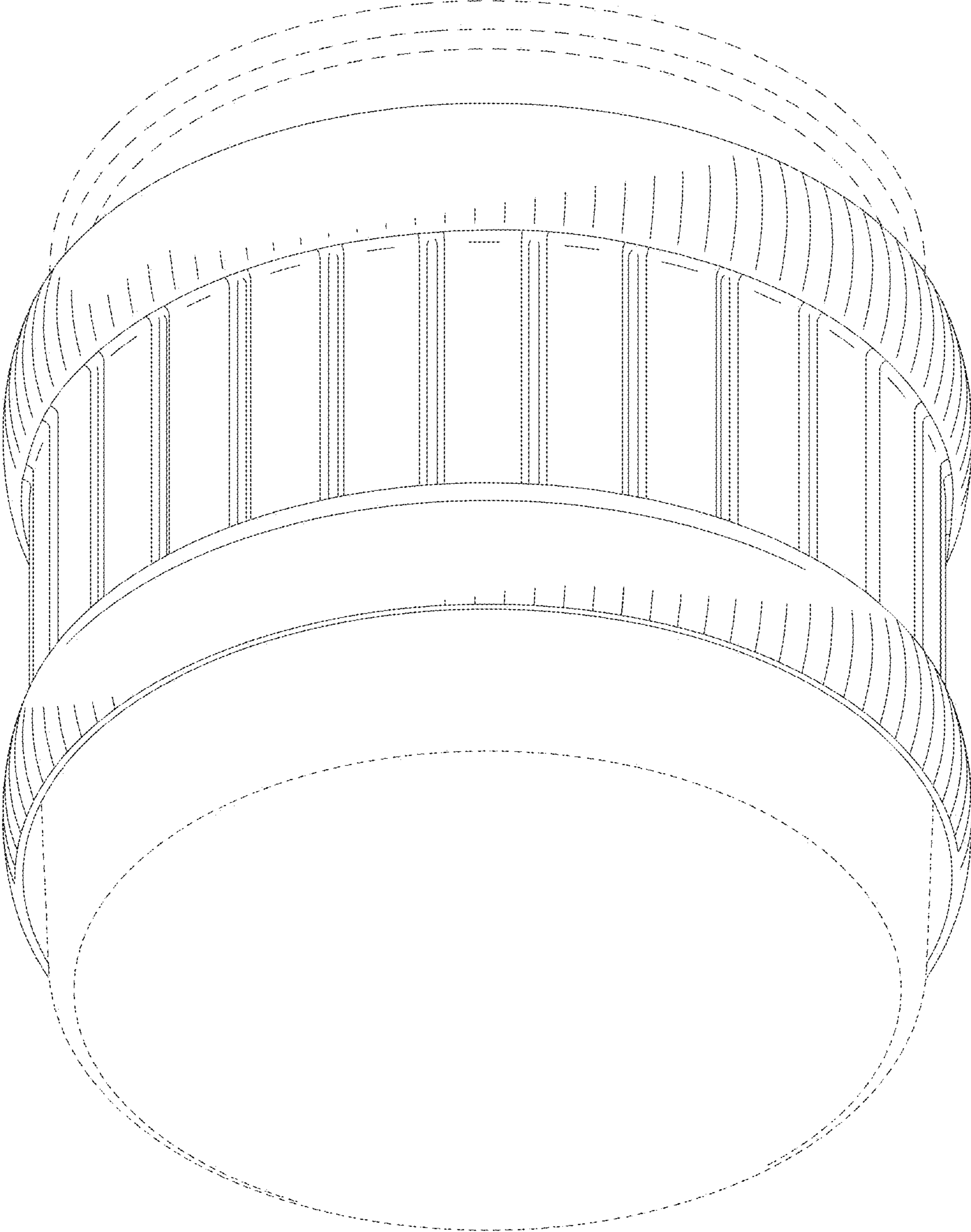


FIG. 2

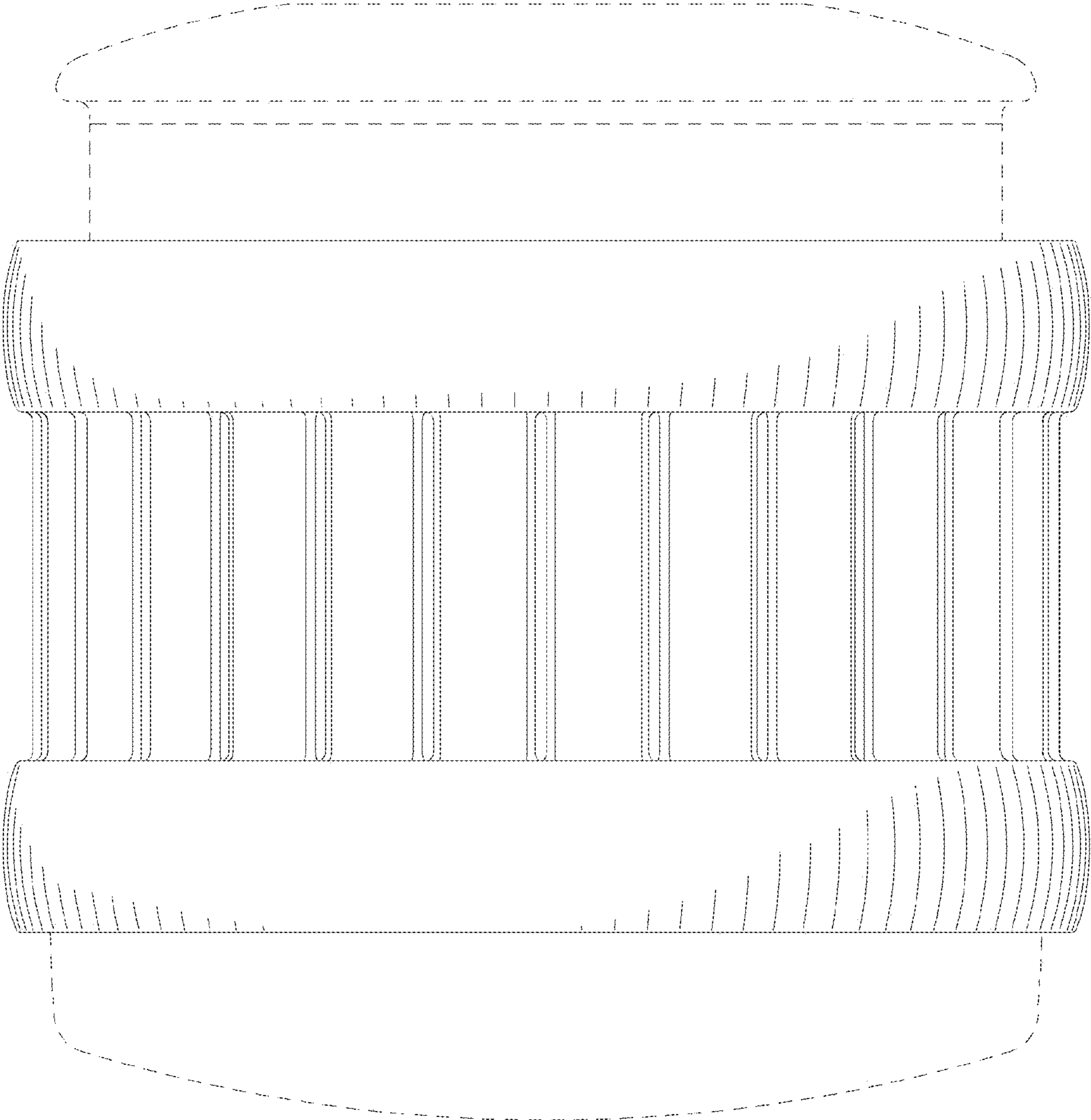


FIG.3

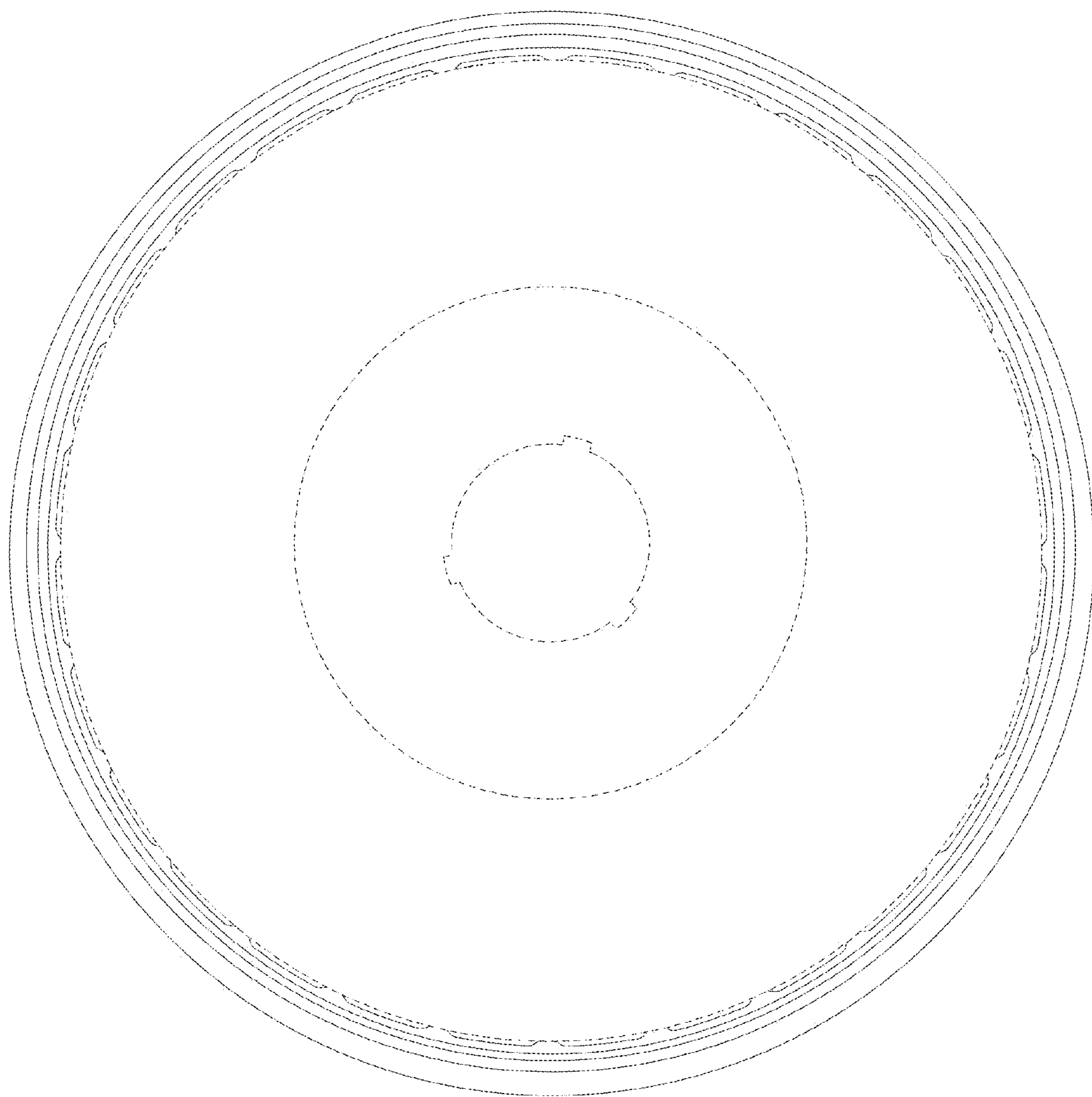


FIG. 4

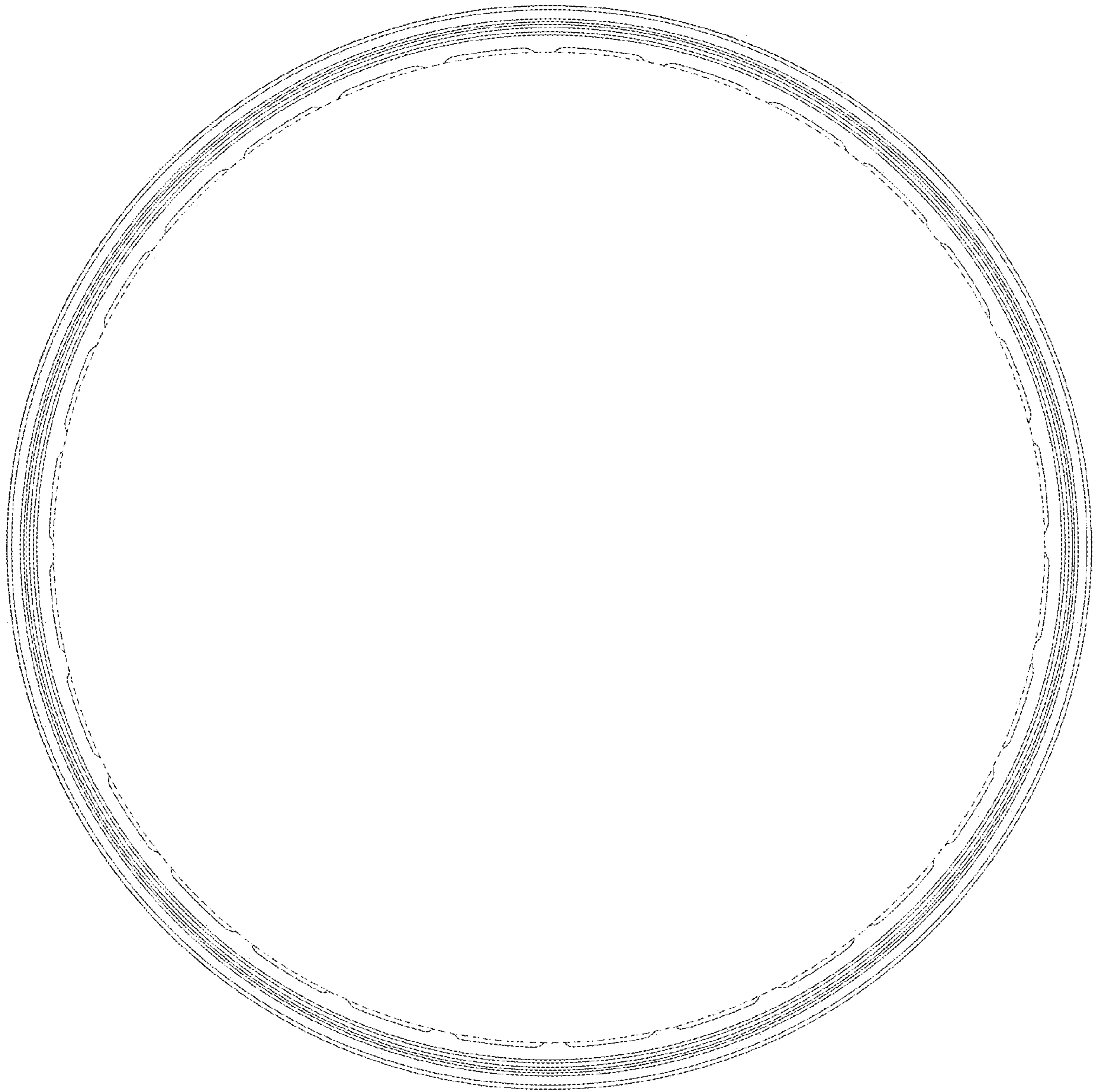


FIG.5