



US00D875915S

(12) **United States Design Patent** (10) **Patent No.:** **US D875,915 S**
Hirsch et al. (45) **Date of Patent:** **** Feb. 18, 2020**

(54) **RECESSED CHILLED BEAM**

25/088; F01P 1/02; F22B 1/1876; F22B 1/22; F22B 3/04; F24F 1/0018; G10D 3/006; G10D 13/023; G10D 13/027; G10H 3/143; G10H 3/181; G10G 5/005; H01R 13/5213

(71) Applicant: **Air Distribution Technologies IP, LLC**, Milwaukee, WI (US)

(72) Inventors: **Joachim Hirsch**, Colleyville, TX (US); **Honghui Zhang**, Richardson, TX (US); **Ernest Freeman**, Dallas, TX (US); **Keith Glasch**, Plano, TX (US); **Blake Robert Gallagher**, Seattle, WA (US); **Paul Sheppard Woolford**, San Francisco, CA (US); **Thomas Adam Kaczowski**, University City, MO (US)

See application file for complete search history.

(73) Assignee: **Air Distribution Technologies IP, LLC**, Milwaukee, WI (US)

(**) Term: **15 Years**

(21) Appl. No.: **29/605,054**

(22) Filed: **May 23, 2017**

Related U.S. Application Data

(62) Division of application No. 29/524,249, filed on Apr. 17, 2015, now Pat. No. Des. 807,495.

(51) **LOC (12) Cl.** **23-04**

(52) **U.S. Cl.**
USPC **D23/393**

(58) **Field of Classification Search**
USPC D23/323, 328, 333, 335-337, 341, 352, D23/357, 370, 385, 386, 397, 399, 400, D23/406, 411, 413, 499, 382, 388, D23/391-395; D25/126-135; D26/59, D26/74, 88, 89
CPC A42B 1/04; B24B 37/04; B25B 15/001; B60Q 1/04; B60Q 1/26; B64D 13/00; B64D 13/02; B64C 2001/009; B64C 11/04; B64C 11/16; B64C 11/18; B64C 11/20; E04C 2/427; E04F 17/00; E06B 3/5892; E21F 1/04; F03D 3/062; F03D 11/04; F04D 19/002; F04D 25/068; F04D

(56) **References Cited**

U.S. PATENT DOCUMENTS

8,342,233 B2 *	1/2013	Kjellerstedt	F24F 1/0059
			165/47
D714,928 S *	10/2014	Urano	D23/388
D799,655 S *	10/2017	Hirsch	D23/351
D801,497 S *	10/2017	Kim	D23/351
D806,854 S *	1/2018	Urano	D23/388

* cited by examiner

Primary Examiner — Cathron C Brooks

Assistant Examiner — Christian P. McLean

(74) *Attorney, Agent, or Firm* — Fletcher Yoder P.C.

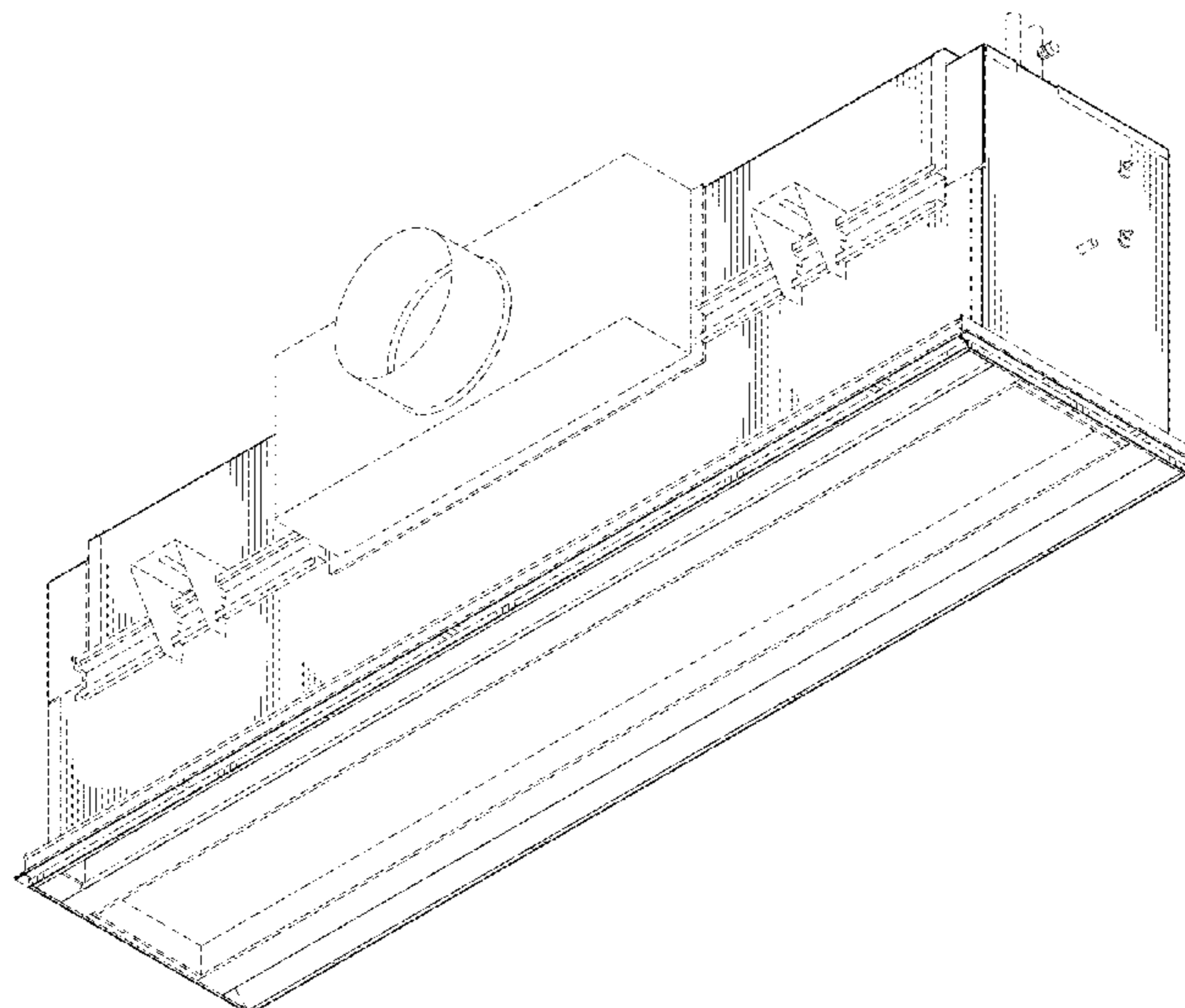
(57) **CLAIM**

The ornamental design for a recessed chilled beam, as shown and described.

DESCRIPTION

FIG. 1 is an isometric view of a recessed chilled beam, showing our new design;
FIG. 2 is a left elevation view thereof;
FIG. 3 is a right elevation view thereof;
FIG. 4 is a rear elevation view thereof;
FIG. 5 is a front elevation view thereof;
FIG. 6 is a top view thereof;
FIG. 7 is a bottom view thereof; and,
FIG. 8 is an isometric view of the design shown in FIG. 1 with additional non-claimed environment.
The broken-lines illustrate portions of the recessed chilled beam that form no part of the claimed design.

1 Claim, 7 Drawing Sheets



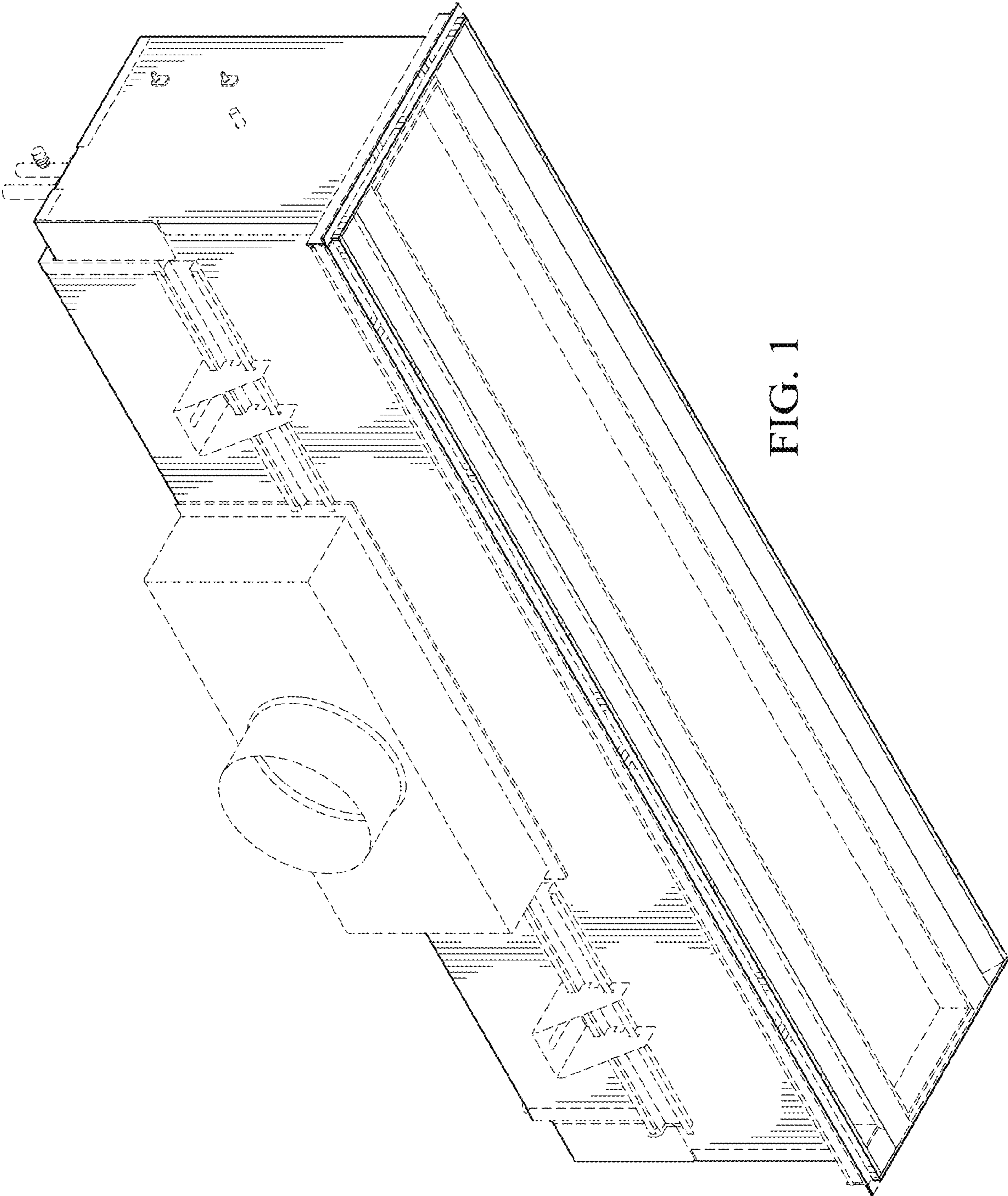


FIG. 1

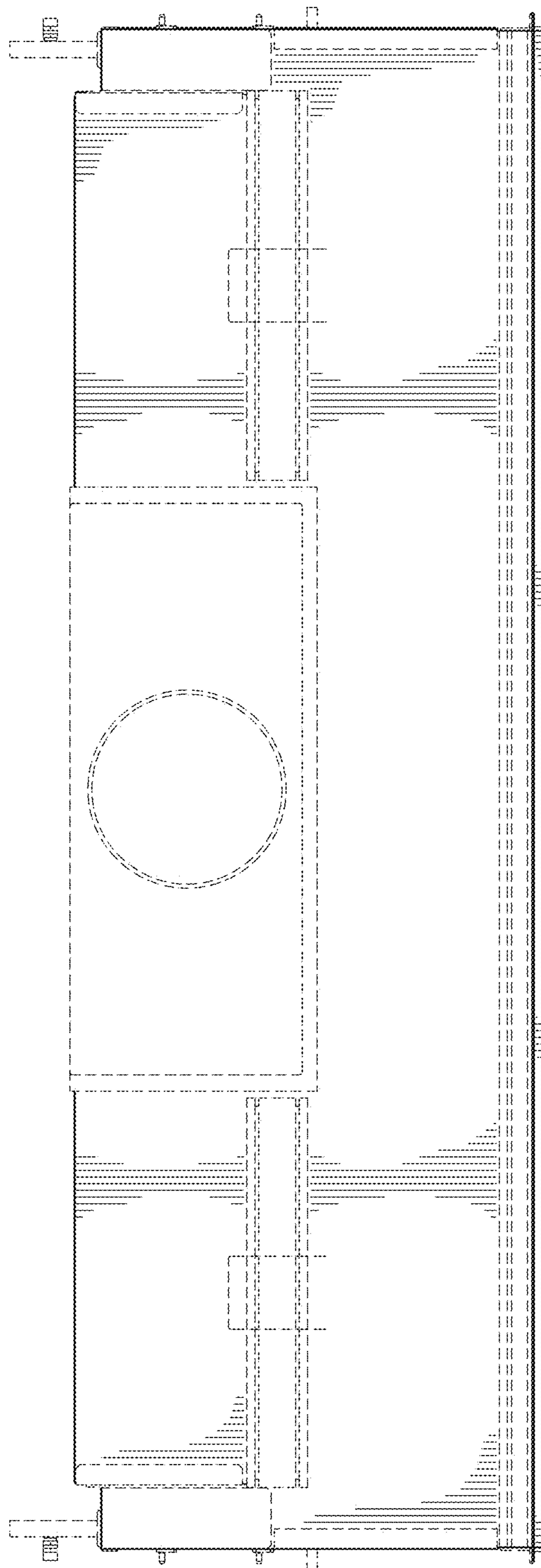


FIG. 2

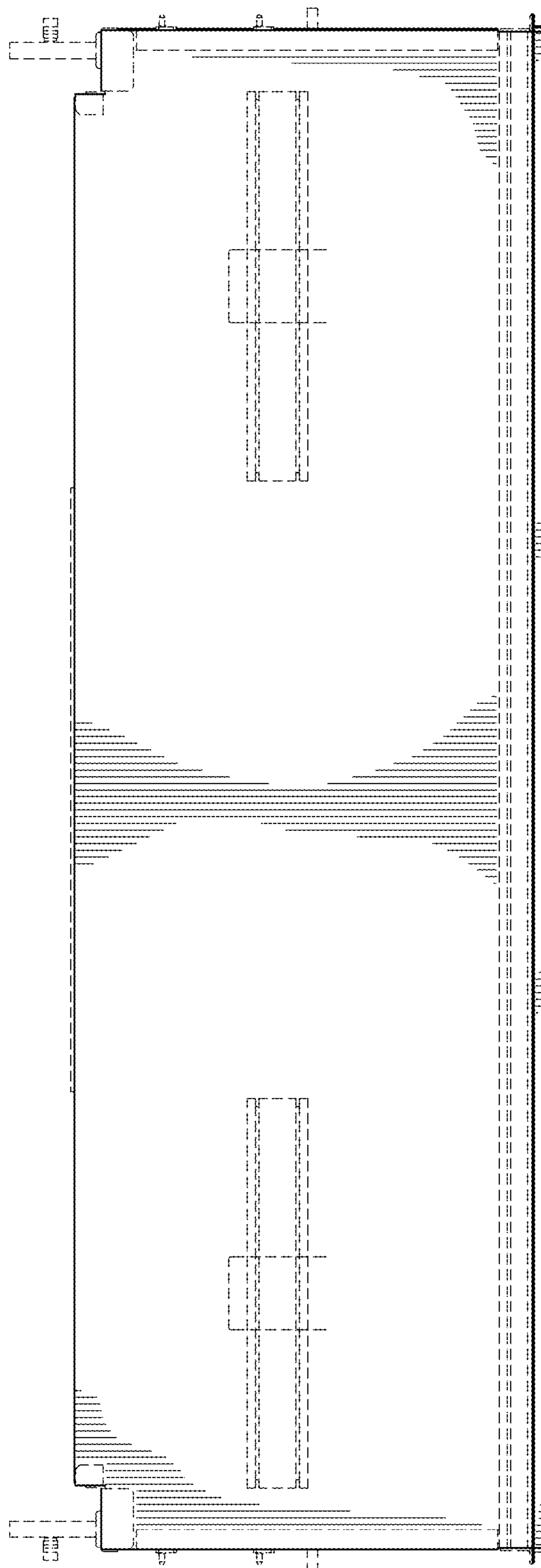


FIG. 3

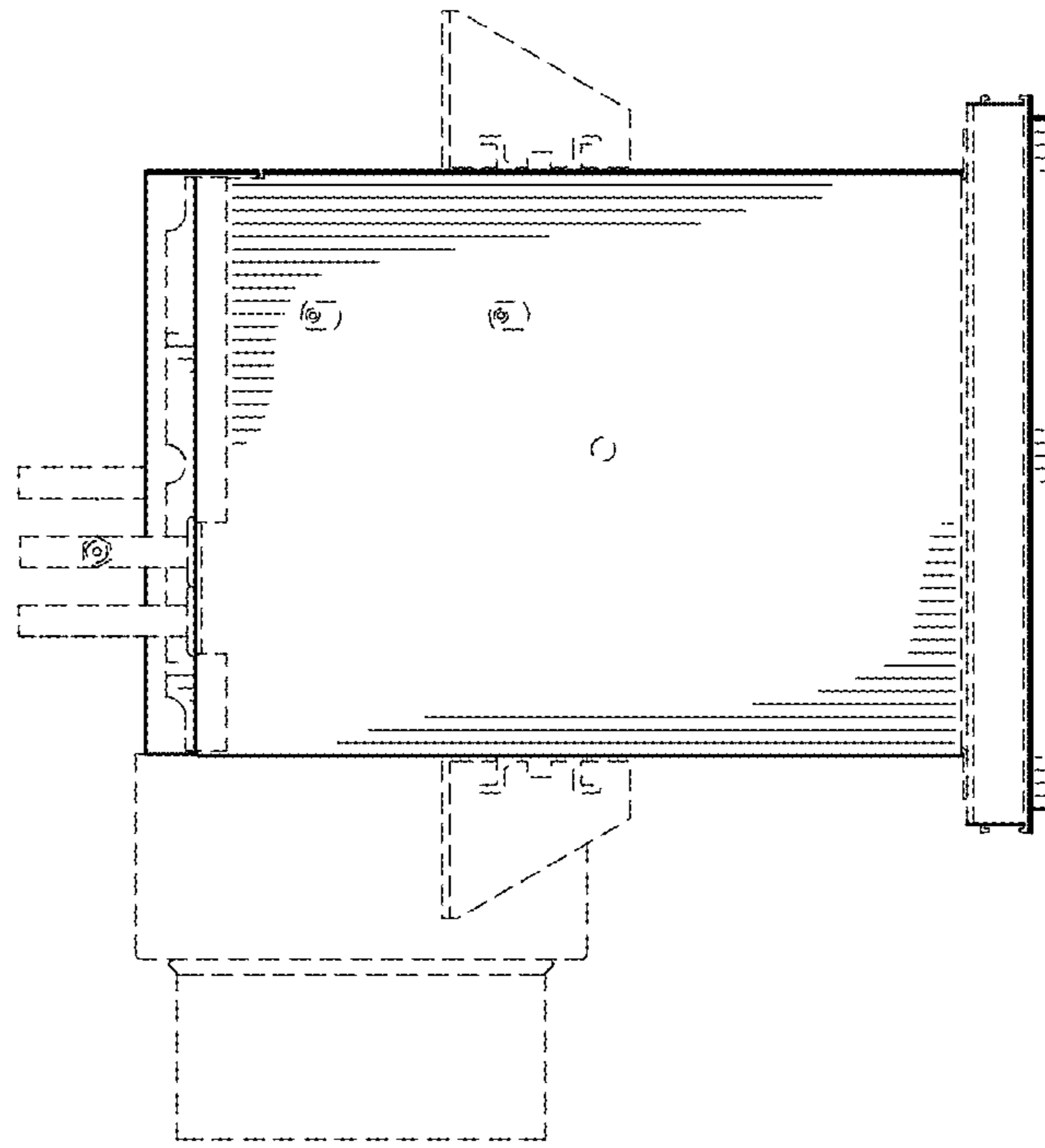


FIG. 5

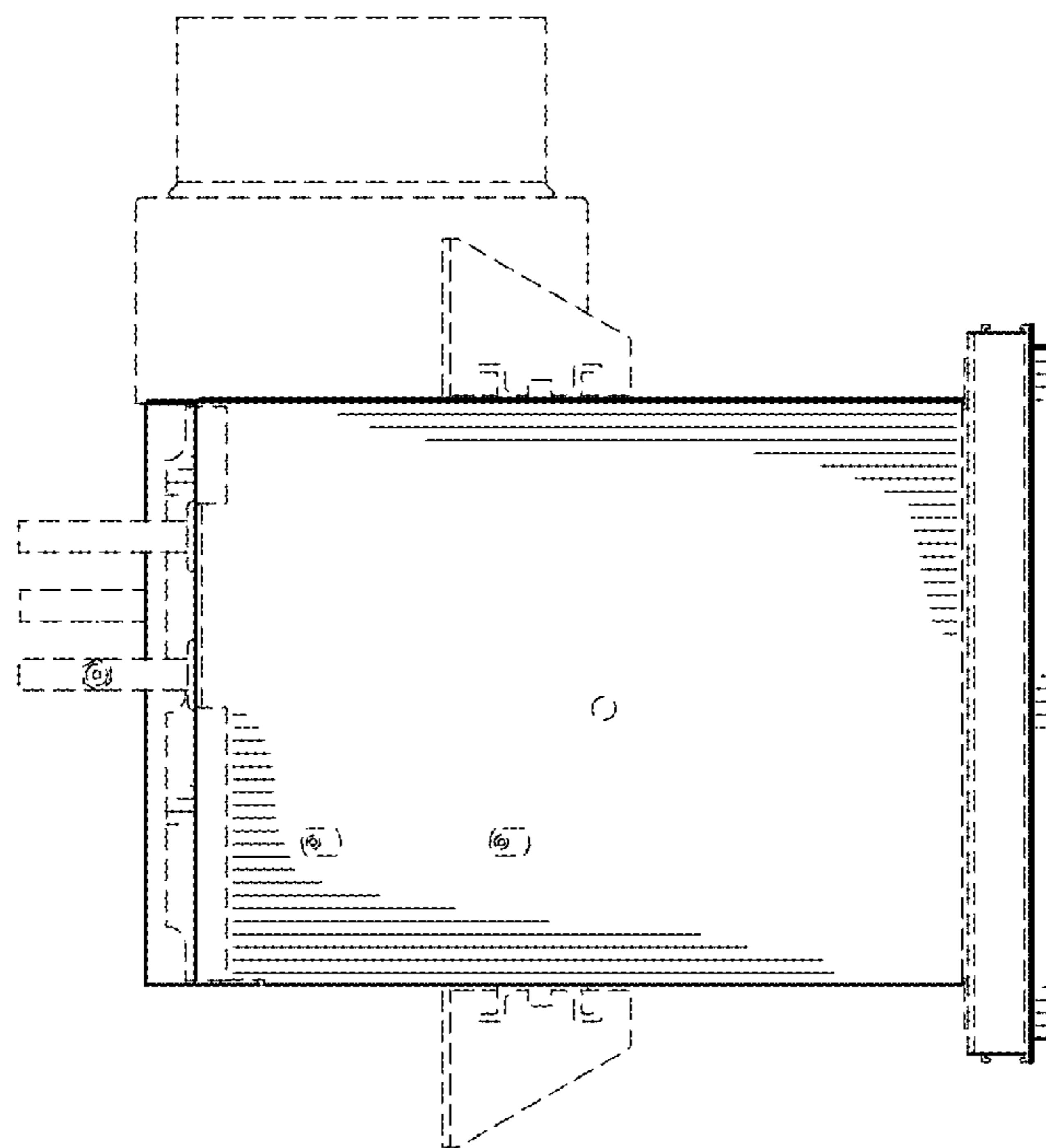


FIG. 4

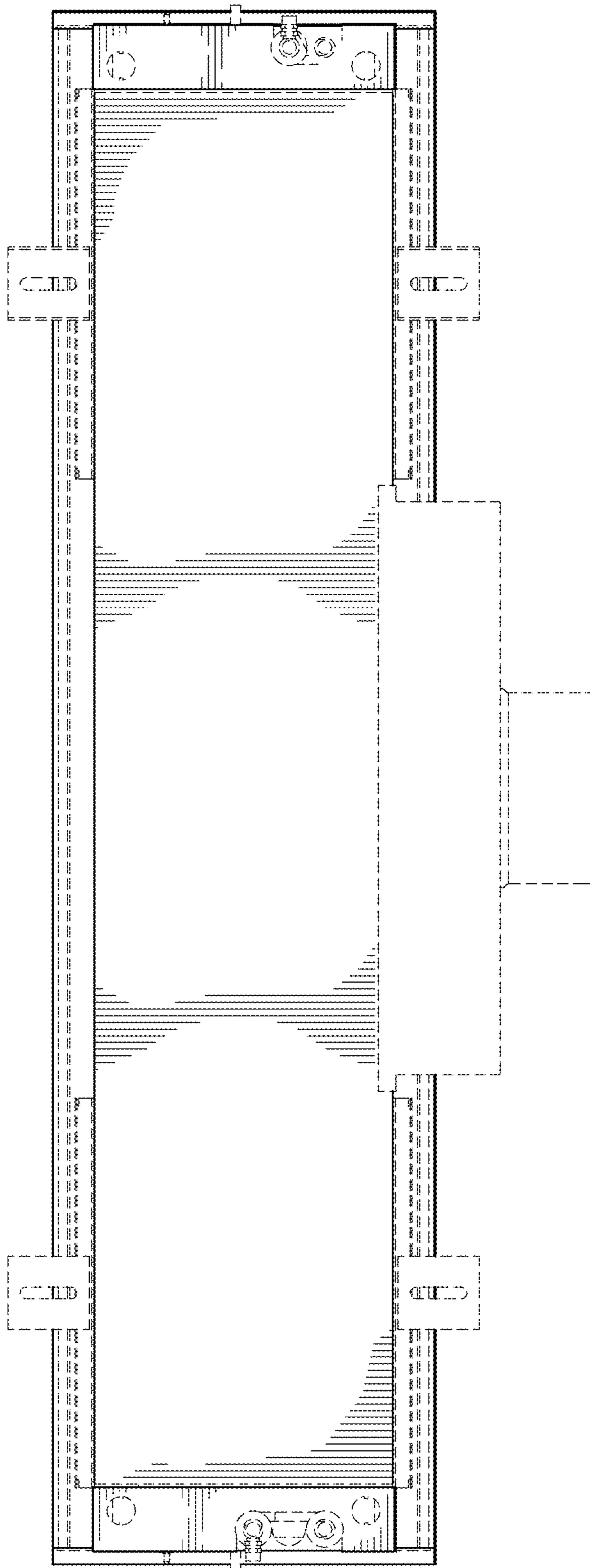


FIG. 6

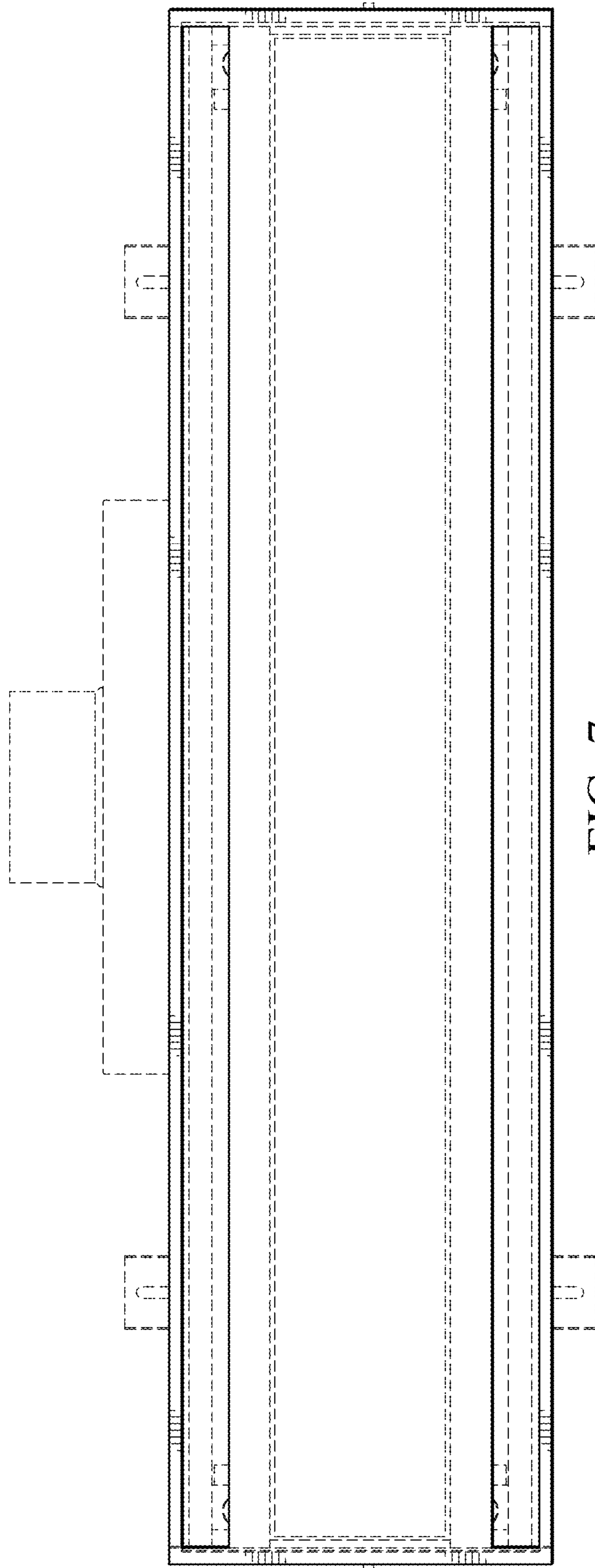


FIG. 7

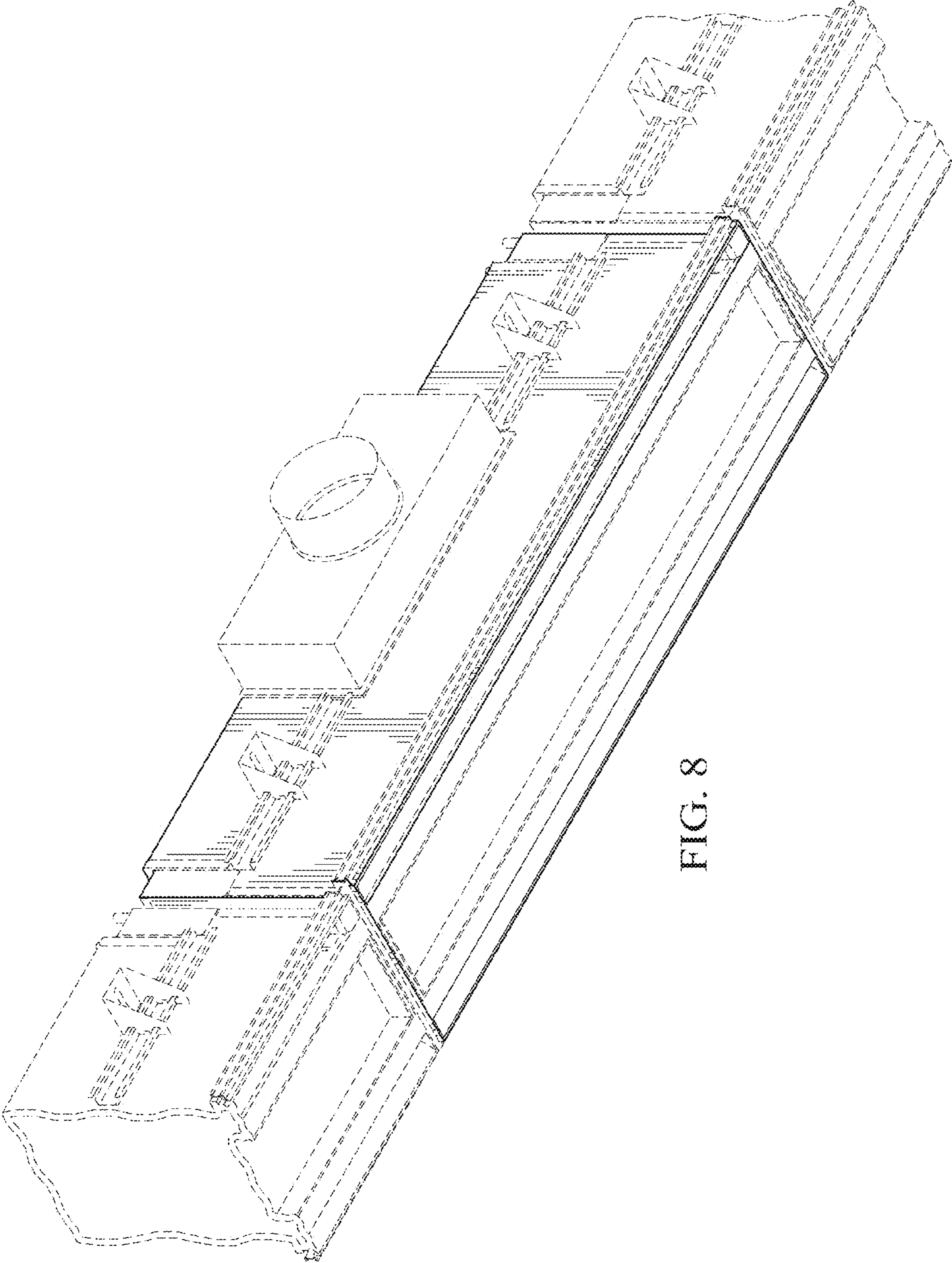


FIG. 8