



US00D875914S

(12) **United States Design Patent** (10) **Patent No.:** **US D875,914 S**
Haggar (45) **Date of Patent:** **** Feb. 18, 2020**

(54) **CEILING FAN**
(71) Applicant: **HUNTER FAN COMPANY,**
Memphis, TN (US)
(72) Inventor: **Alexander Jonathan Haggar,**
Memphis, TN (US)
(73) Assignee: **Hunter Fan Company,** Memphis, TN
(US)
(**) Term: **15 Years**
(21) Appl. No.: **29/593,483**

D795,412 S * 8/2017 Schulzman D23/377
D795,413 S * 8/2017 Wang D23/377
D796,659 S * 9/2017 Schulzman D23/377
D799,661 S * 10/2017 Holmes D23/377
D800,891 S * 10/2017 McRoberts D23/377
D802,114 S * 11/2017 Busta D23/377
D804,010 S * 11/2017 Guthrie D23/377
D804,629 S * 12/2017 McRoberts D23/377
D804,630 S * 12/2017 Holmes D23/377
D805,175 S * 12/2017 Haggar D23/377
D809,118 S * 1/2018 Guthrie D23/377
D810,915 S * 2/2018 Guthrie D23/377
D810,920 S * 2/2018 Haggar D23/377
D831,187 S * 10/2018 Schulzman D23/377

(Continued)

(22) Filed: **Feb. 9, 2017**
(51) **LOC (12) Cl.** **23-04**
(52) **U.S. Cl.**
USPC **D23/377**
(58) **Field of Classification Search**
USPC D23/370, 377, 379, 385, 411; D26/59
CPC F04D 25/088; F21V 33/0096
See application file for complete search history.

OTHER PUBLICATIONS

<http://www.montecarlofans.com/50453/56-Vision-Max---Rubberized-White-3VNMR56RZWD.html>, Item Specification for the Monte Carlo Vision Max Collection, Model No. 3VNMR56RZWD, accessed Feb. 7, 2017.

(Continued)

Primary Examiner — Janice Hallmark
(74) *Attorney, Agent, or Firm* — McGarry Bair PC

(56) **References Cited**
U.S. PATENT DOCUMENTS

D297,974 S 10/1988 Sonneman
D298,052 S * 10/1988 Sonneman D23/377
D328,491 S * 8/1992 Markwardt D23/377
D328,785 S * 8/1992 Markwardt D23/377
D333,867 S * 3/1993 Markwardt D23/377
D345,790 S * 4/1994 Caldwell D23/377
D510,425 S * 10/2005 Young D23/377
D547,436 S 7/2007 Shurtleff
D627,874 S * 11/2010 Pan D23/411
D628,688 S * 12/2010 Pan D23/377
D632,381 S * 2/2011 Davenport D23/377
D707,336 S * 6/2014 Pan D23/377
D744,634 S 12/2015 Wang
D750,221 S * 2/2016 Schulzman D23/413
D760,368 S * 6/2016 Chen D23/377
D771,794 S 11/2016 Wang
D782,644 S * 3/2017 Wang D23/377

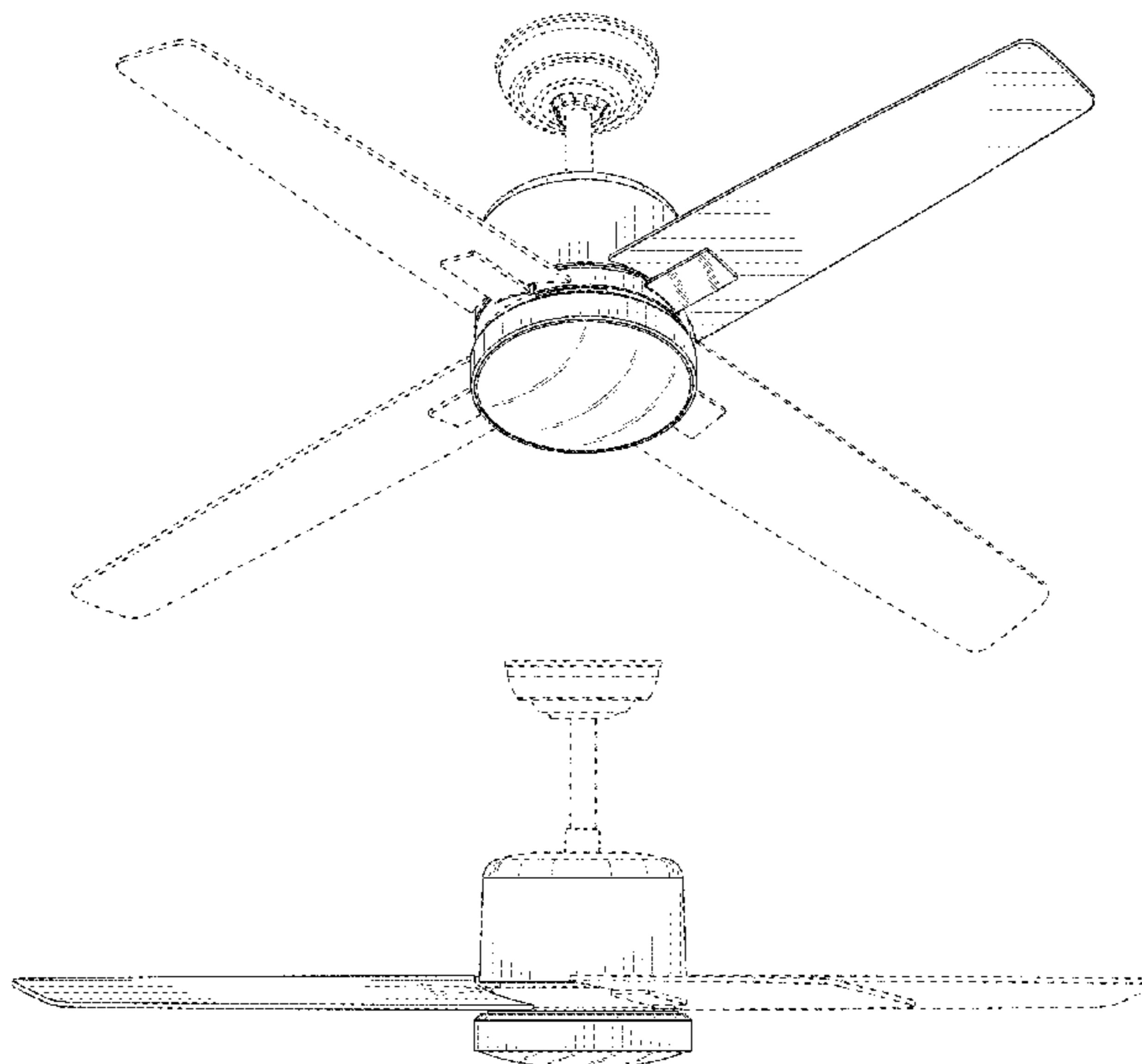
(57) **CLAIM**

The ornamental design for a ceiling fan, as shown and described.

DESCRIPTION

FIG. 1 is a top perspective view of a ceiling fan;
FIG. 2 is a bottom perspective view of the ceiling fan of FIG. 1;
FIG. 3 is a top view of the ceiling fan of FIG. 1;
FIG. 4 is a bottom view of the ceiling fan of FIG. 1; and,
FIG. 5 is a side view of the ceiling fan of FIG. 1.
Portions of the ceiling fan shown in broken line form no part of the claimed design.

1 Claim, 5 Drawing Sheets



(56)

References Cited

U.S. PATENT DOCUMENTS

D851,235	S	*	6/2019	Hidalgo	D23/411
D855,788	S	*	8/2019	Haggar	D23/377
D855,789	S	*	8/2019	Haggar	D23/377
D857,874	S	*	8/2019	Hidalgo	D23/377
D858,735	S	*	9/2019	Wang	D23/377
2005/0249598	A1	*	11/2005	Young	F04D 19/024 416/198 R

OTHER PUBLICATIONS

<http://www.craftmade.com/Craftmade-MN44SS4-Stainless-Steel-Ceiling-Fan.HTM>, Item Specification for the Craftmade Lighting Montreal, Model No. MN44SS4, accessed Feb. 7, 2017.

<http://www.kichler.com/products/product/48-inch-celino-contemporary-fan-mch-300017mch.aspx>, Item Specification for the Kichler Celino Collection, Model No. 300017MCH, accessed Feb. 7, 2017.

<http://www.kichler.com/products/product/52-arkwet-patio-ceiling-fan-wcp-339529wcp.aspx>, Item Specification for the Kichler Arkwet Patio Collection, Model No. 339529WCP, accessed Feb. 7, 2017.

<http://ceilingfans.emerson.com/shop/en/fan/fans-s-emerson-fans/emerson-fans-browse-all/highrise-fan-p-cf430>, Item Specification for the Emerson Highrise, Model No. CF430BS, accessed Feb. 7, 2017.

<http://www.montecarlofans.com/33062/52-Clarity---Rubberized-White-3CLYR52RZWD.html>, Item Specification for the Monte Carlo Clarity Collection, Model No. 3CLYR52RZWD, accessed Feb. 7, 2017.

<http://www.kichler.com/products/product/60-bowen-ceiling-fan-mwh-330243mwh.aspx>, Item Specification for the Kichler Bowen Ceiling Fan Collection, Model No. 330243MWH, accessed Feb. 7, 2017.

<http://www.kichler.com/products/product/52-inch-lucian-ceiling-fan-ni-300176ni.aspx>, Item Specification for the Kichler Lucien Collection, Model No. 330000NI, accessed Feb. 7, 2017.

<http://www.menards.com/main/p-1444424537879-c-7487.htm?tid=5244648551955826367>, Item Specification for the Turn of the Century Montego Bay, Model No. CP152115, accessed Feb. 7, 2017.

<http://www.fanimation.com/products/xeno/>, Item Specification for the Fanimation Xenon, Model No. FP6729, accessed Feb. 8, 2017.

<https://www.amazon.com/Kichler-Lighting-300175WH-Integrated-Downlight/dp/B00HHERJ10>, Item Specification for the Kichler Vassar, Model No. 300175WH, accessed Feb. 8, 2017.

<https://ceilingfans.emerson.com/shop/en/fan/54-volta-ceiling-fan-fan-p-cf590>, Item Specification for the Emerson Volta, Model No. CF950BQ, accessed Feb. 8, 2017.

<http://www.menards.com/main/p-1444438448164-c-7488.htm?tid=5244648551955826367>, Item Specification for the Turn of the Century Lafitte, Model No. fn1305gs, accessed Feb. 8, 2017.

<http://www.kichler.com/products/product/56-ellys-ceiling-fan-ni-300239ni.aspx>, Item Specification for the Kichler Ellys Collection, Model No. 300239NI, accessed Feb. 8, 2017.

<http://www.hunterfan.com/Ceiling-Fans?PageNumber=14>, Item Specification for the Hunter Fan Windemere, Model No. 59039, accessed Feb. 8, 2017.

<http://www.craftmade.com/Ellington-Fans-BEL52BNK3CRW-Nickel-Ceiling-Fan.HTM>, Item Specification for the Craftmade Beltre, Model No. BEL52BNK3CRW, accessed Feb. 8, 2017.

https://www.cudakitchen.com/42-inch-innes-ii-fan-300130OBB?gclid=CjwKEAiAoOvEBRDD25uyu9Lg9ycSJAD0cnBysy76Tilm6Db3jKmCBKVNokXc7gBCJ_nN9S4K_pROSRoCzLL_wcB, Item Specification for Kichler Innes, Model No. 300130OBB, accessed Feb. 8, 2017.

<http://ceilingfans.emerson.com/shop/en/fan/midway-eco-fan-p-cf955>, Item Specification for the Emerson Midway Eco, Model No. CF955BS, accessed Feb. 8, 2017.

<http://www.kingoffans.com/photos/manuals/176.pdf>, Item Specification for the King of Fans Windward, Model No. 54404, accessed Feb. 8, 2017.

* cited by examiner

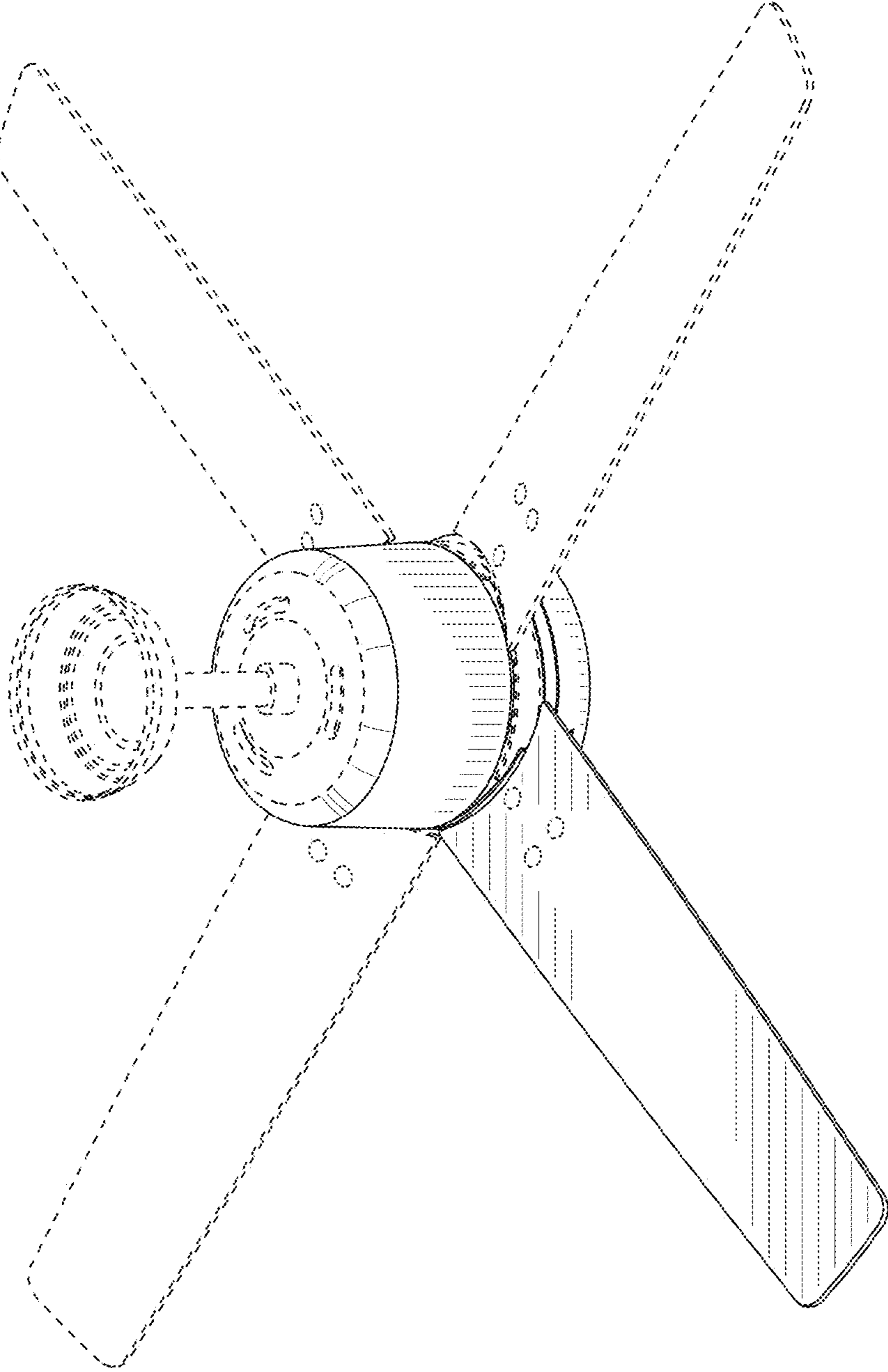


FIG. 1

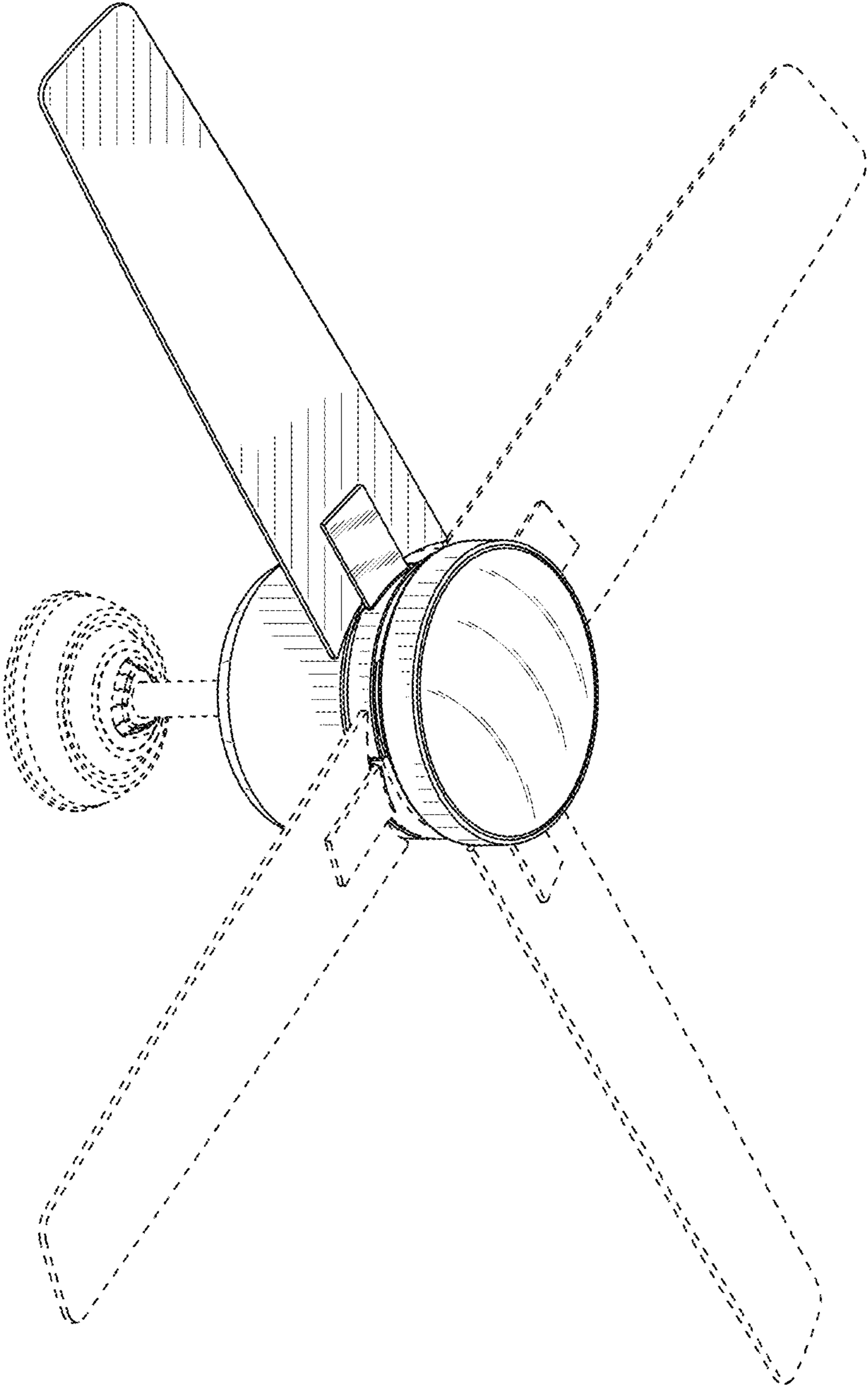


FIG. 2

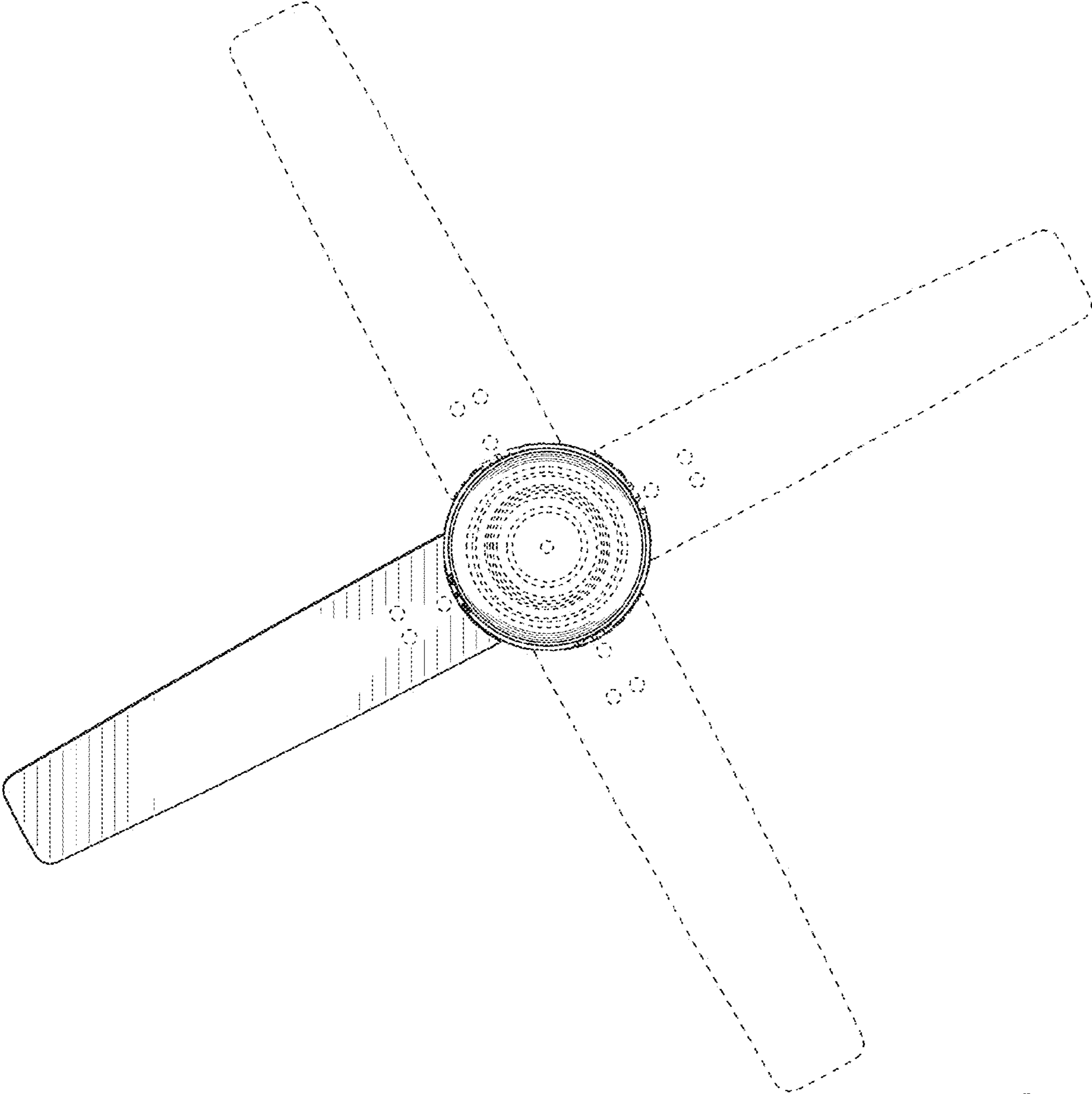


FIG. 3

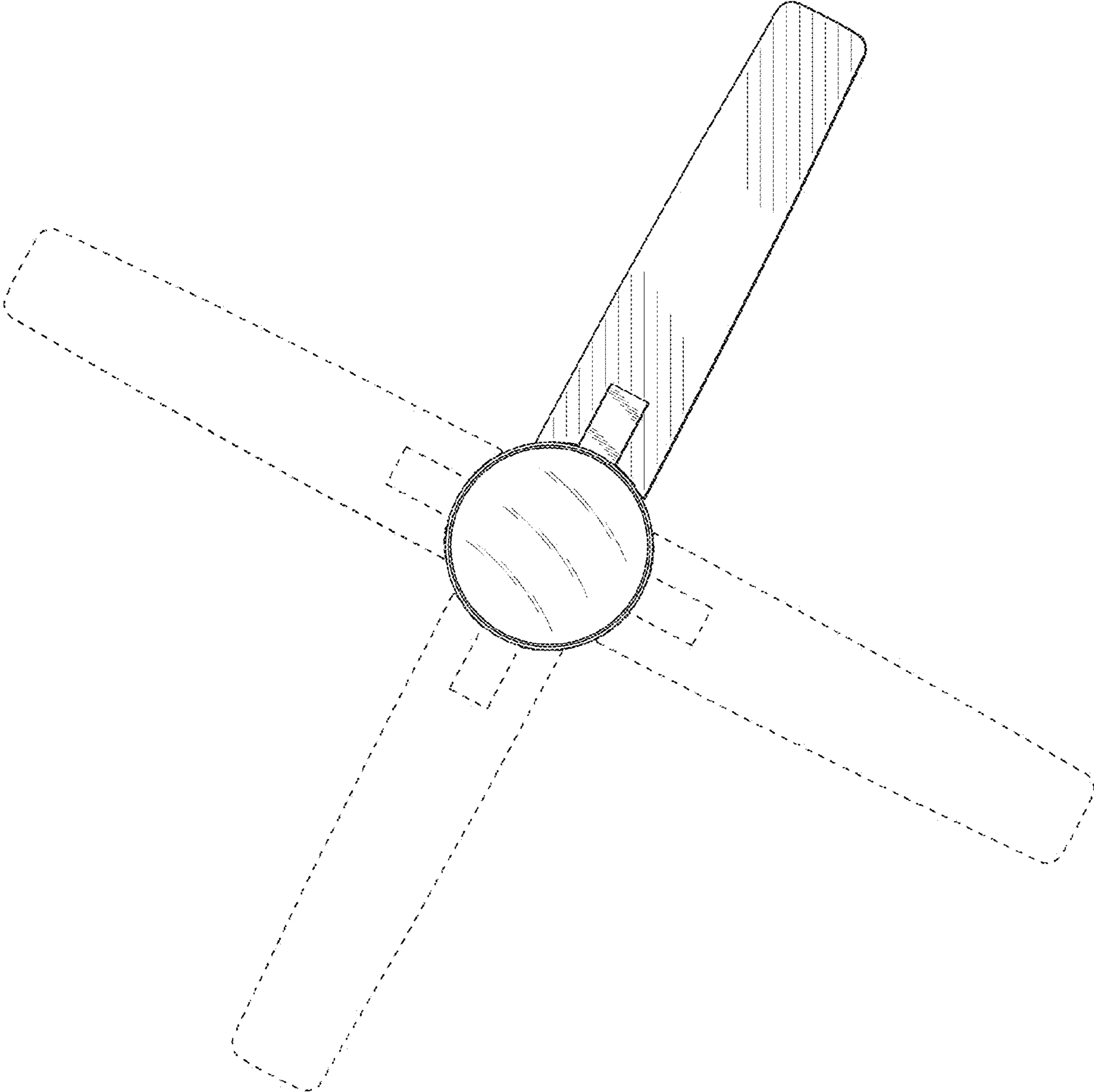


FIG. 4

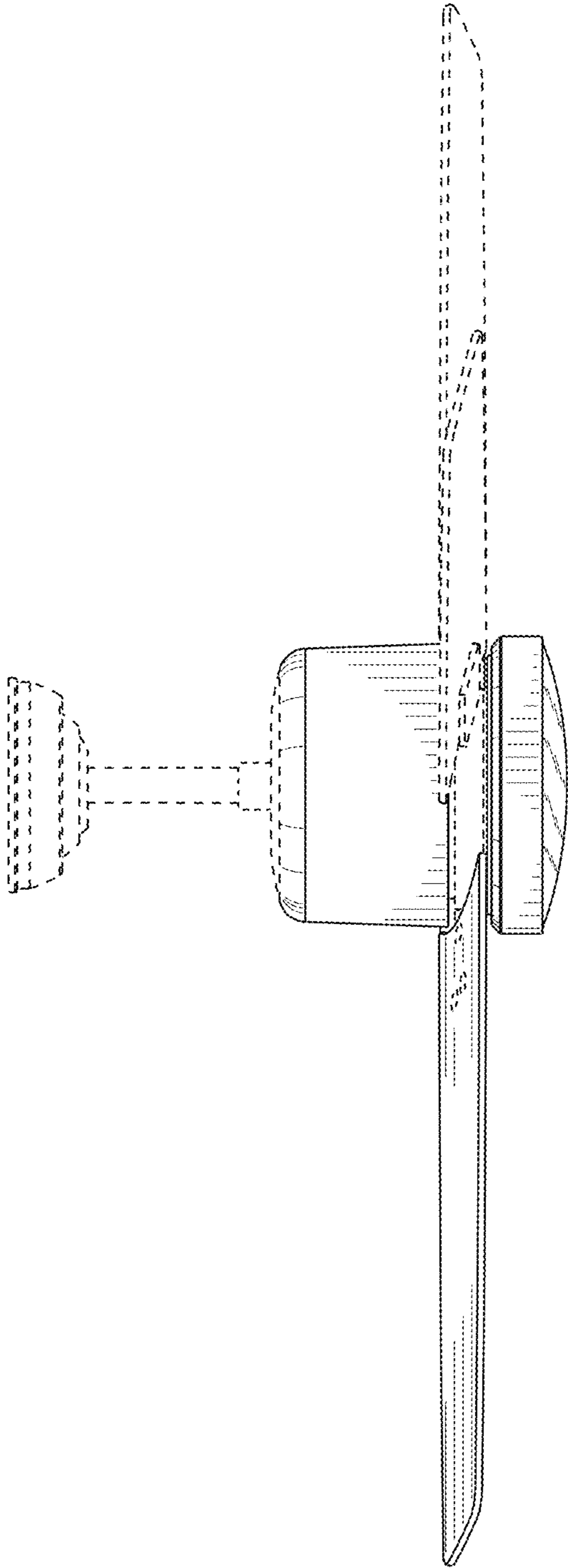


FIG. 5