



US00D875913S

(12) **United States Design Patent** (10) **Patent No.:** **US D875,913 S**
Puikkonen et al. (45) **Date of Patent:** **** Feb. 18, 2020**

(54) **PREFABRICATED OR PREASSEMBLED BUILDING PART**

(71) Applicant: **VILPE OY**, Mustasaari (FI)

(72) Inventors: **Pasi Puikkonen**, Mustasaari (FI); **Eero Saikkonen**, Vaasa (FI); **Veli-Pekka Lahti**, Härmä (FI); **Kaj Friis**, Vaasa (FI)

(73) Assignee: **Vilpe OY** (FI)

(**) Term: **15 Years**

(21) Appl. No.: **35/504,585**

(22) Filed: **Oct. 26, 2017**

(80) **Hague Agreement Data**

Int. Filing Date: **Oct. 26, 2017**
Int. Reg. No.: **DM/100060**
Int. Reg. Date: **Oct. 26, 2017**
Int. Reg. Pub. Date: **Mar. 16, 2018**

(30) **Foreign Application Priority Data**

Apr. 27, 2017 (EM) 003876143

(51) **LOC (12) Cl.** **23-04**

(52) **U.S. Cl.**
USPC **D23/374**
CPC **F24F 7/02 (2013.01)**

(58) **Field of Classification Search**
USPC D23/315, 351, 354, 364, 415–418, 499
CPC F24F 7/02; F24F 7/025; F23J 2213/50
See application file for complete search history.

(56) **References Cited**

U.S. PATENT DOCUMENTS

1,235,609 A * 8/1917 Sodemann F23L 17/02
454/36
D52,501 S * 9/1918 White et al. D23/336

D102,181 S * 12/1936 Engl D23/336
D143,003 S * 11/1945 Hoiland D23/402
2,763,196 A * 9/1956 Singleton F23L 17/02
454/3
2,868,106 A * 1/1959 Knutson F24F 7/025
454/355
4,351,781 A * 9/1982 Blatter F24F 6/04
239/193
D276,647 S * 12/1984 Breidert D23/376
4,549,693 A * 10/1985 Barlics A61L 9/12
206/0.5
D281,274 S * 11/1985 Wright, Jr. D23/376
D289,323 S * 4/1987 Yamaguchi D23/416
D299,529 S * 1/1989 Best D23/373
D310,262 S * 8/1990 Lemire D23/336
5,125,198 A * 6/1992 Giumenta E04F 17/026
285/424
D382,951 S * 8/1997 Deines D23/332
D396,100 S * 7/1998 Brummer D23/374
D488,550 S * 4/2004 Taylor D23/374
D535,010 S * 1/2007 Arnold, Jr. D23/374
D592,298 S * 5/2009 Arnold, Jr. D23/374
D619,237 S * 7/2010 Arnold, Jr. D23/374
D627,045 S * 11/2010 Arnold, Jr. D23/374

(Continued)

Primary Examiner — Richard E Chilcot

(57) **CLAIM**

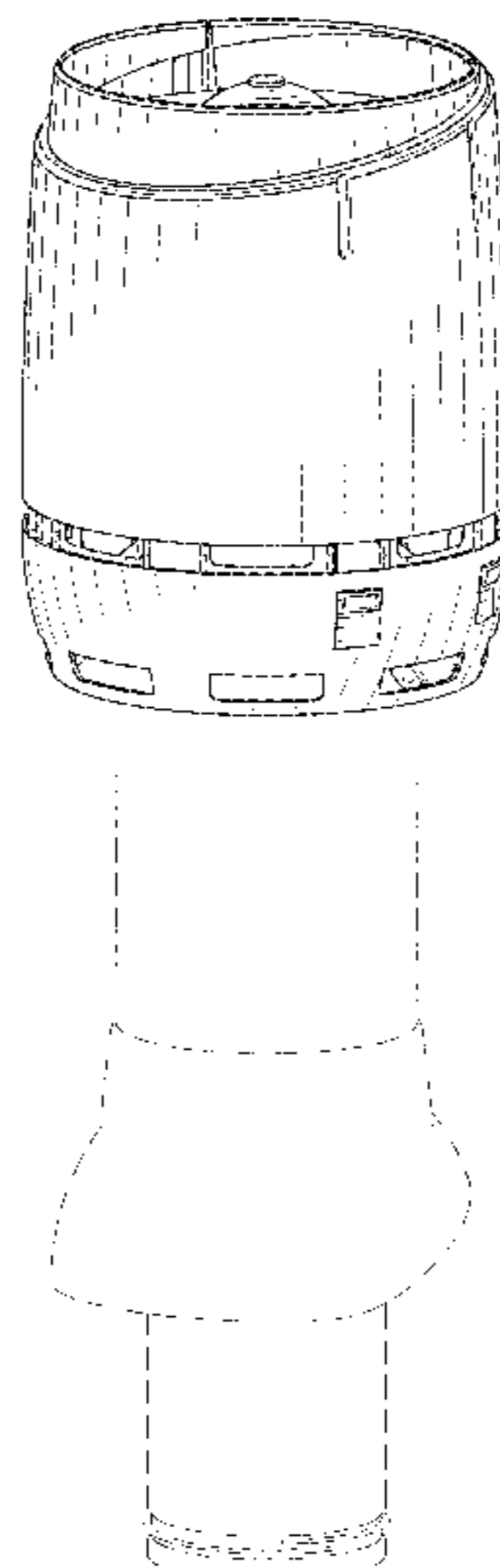
The ornamental design for a prefabricated or pre-assembled building part, as shown and described.

DESCRIPTION

- 1. Prefabricated or pre-assembled building part
- 1.1 : Top
- 1.2 : Bottom
- 1.3 : Front
- 1.4 : Perspective
- 1.5 : Right
- 1.6 : Back
- 1.7 : Left

The broken lines showing the prefabricated preassembled building part are for the purpose of illustrating environment and form no part of the claimed design.

1 Claim, 7 Drawing Sheets



(56)

References Cited

U.S. PATENT DOCUMENTS

D677,375 S * 3/2013 Arnold, Jr. D23/373
D678,498 S * 3/2013 Proulx D23/373
8,696,416 B1 * 4/2014 Arnold, Jr. F23L 17/04
454/12
D802,731 S * 11/2017 Arnold, Jr. D23/374
2006/0246833 A1 * 11/2006 Arnold, Jr. E04F 17/026
454/12
2015/0308323 A1 * 10/2015 Nagano F23J 11/00
60/324
2016/0040898 A1 * 2/2016 Lipinski F23L 17/04
454/242

* cited by examiner

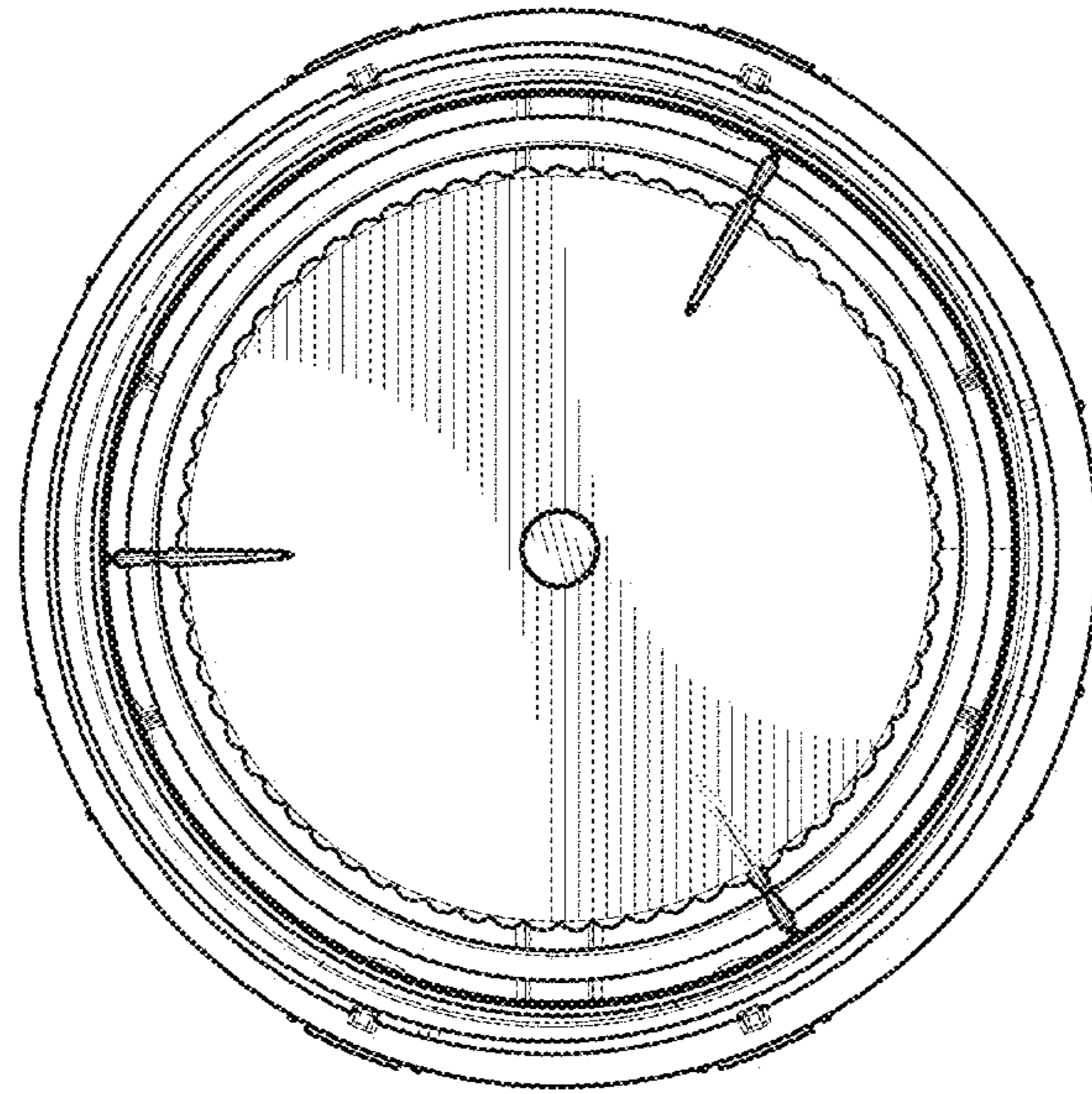


FIG. 1.1

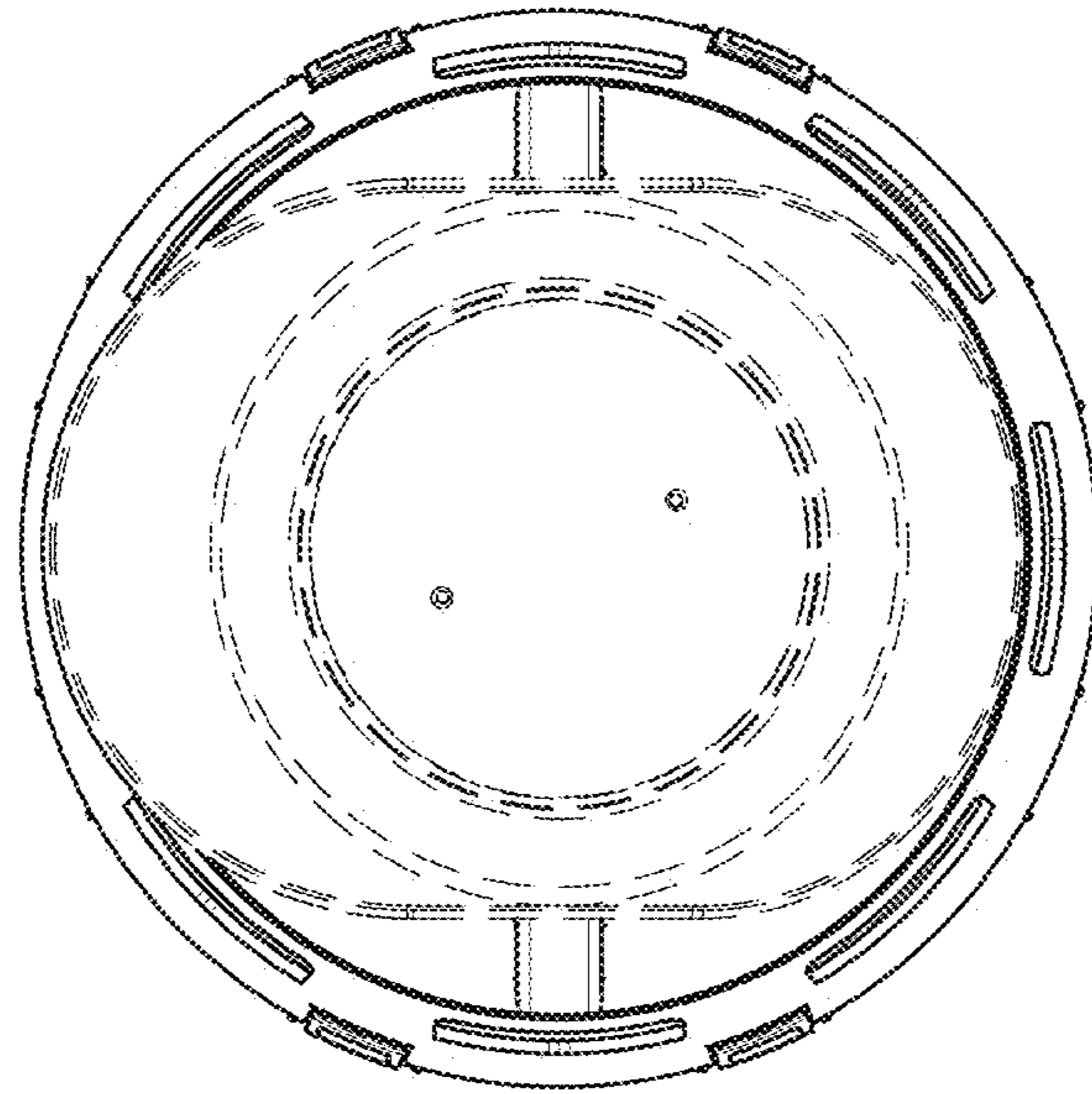


FIG. 1.2

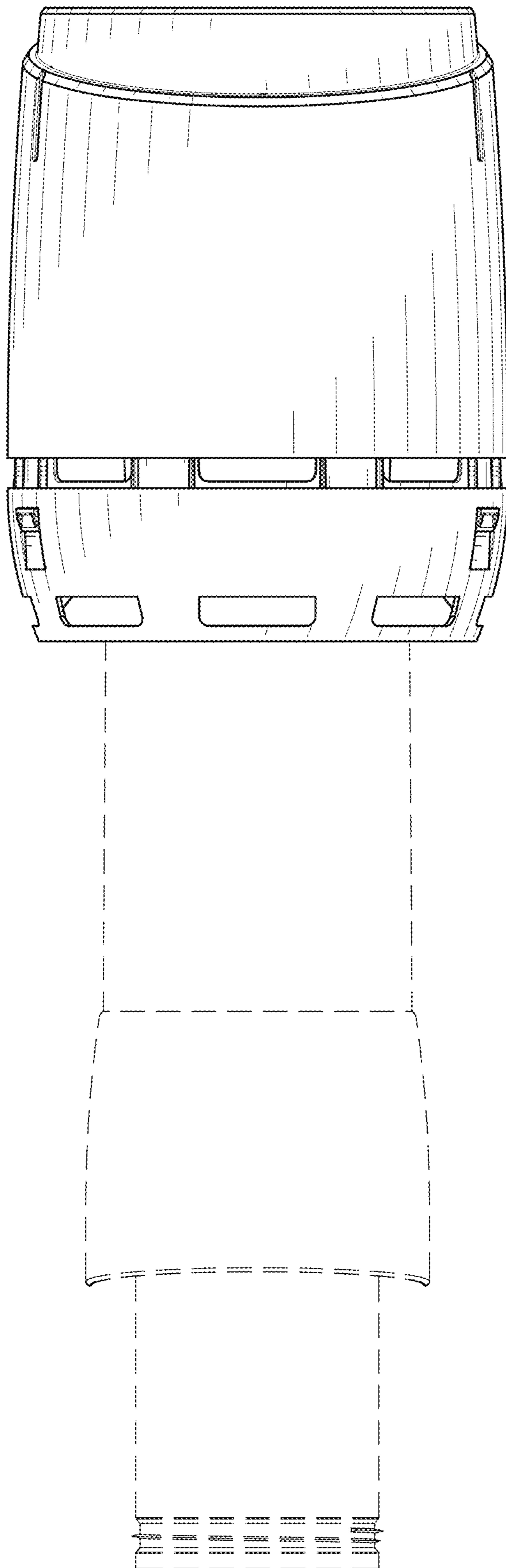


FIG. 1.3

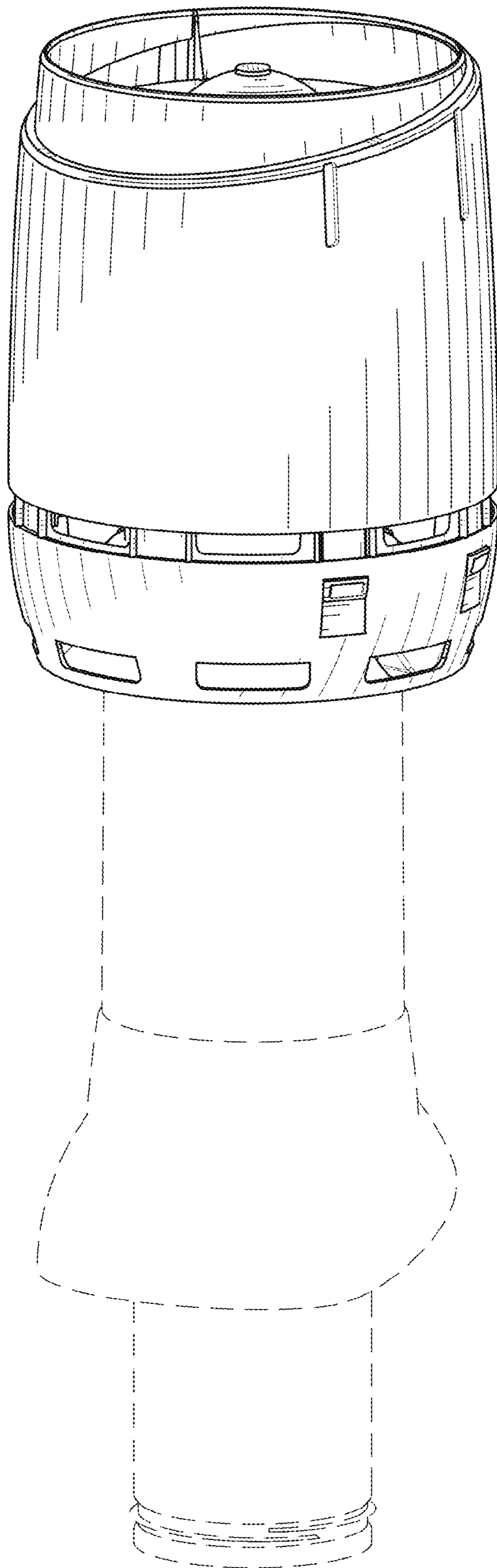


FIG. 1.4

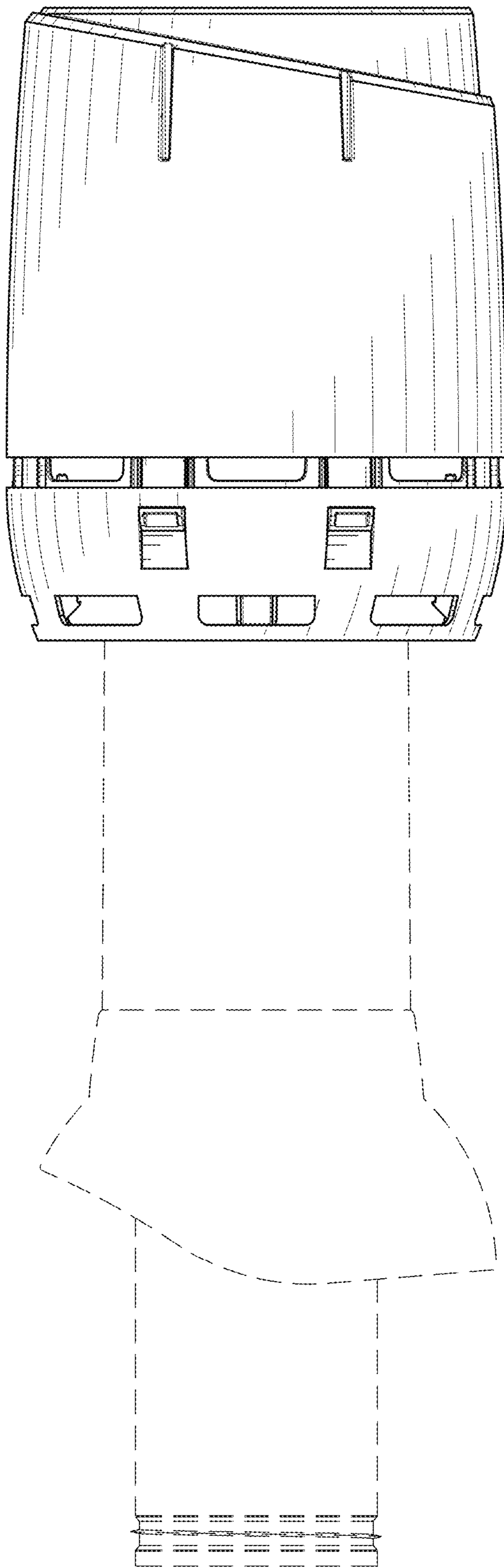


FIG. 1.5

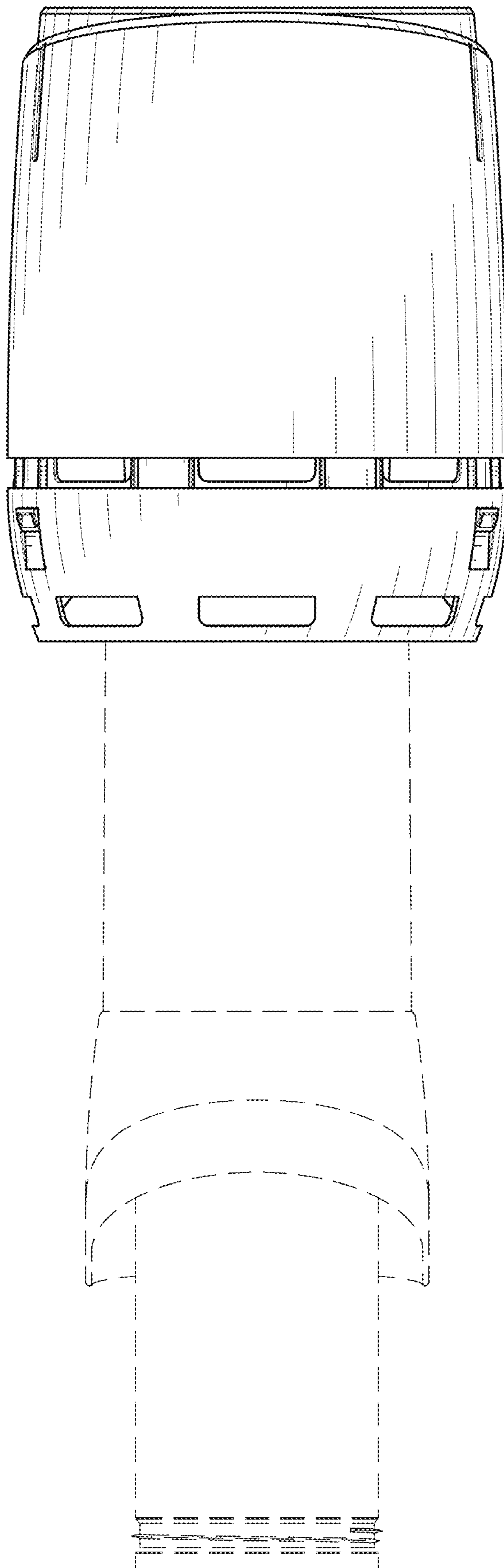


FIG. 1.6

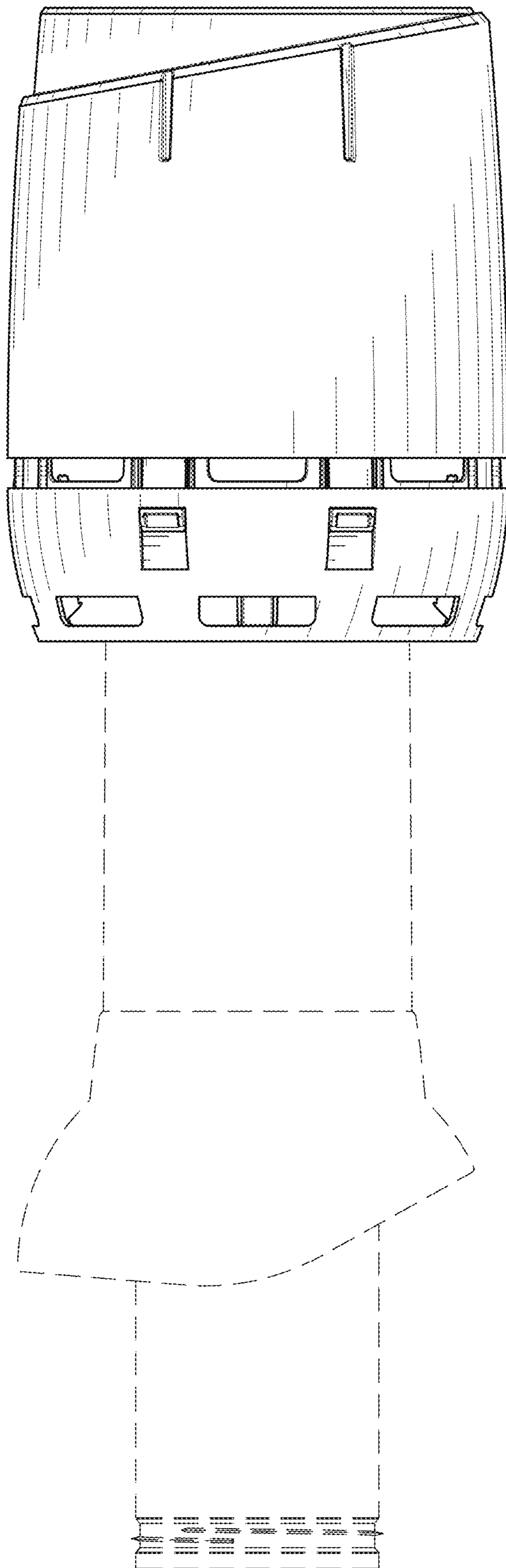


FIG. 1.7