



US00D875912S

(12) **United States Design Patent**
Mao

(10) **Patent No.:** **US D875,912 S**

(45) **Date of Patent:** **** Feb. 18, 2020**

(54) **RANGE HOOD**

(71) Applicant: **NINGBO FOTILE KITCHEN WARE CO., LTD.**, Zhejiang (CN)

(72) Inventor: **Zhongqun Mao**, Zhejiang (CN)

(73) Assignee: **NINGBO FOTILE KITCHEN WARE CO., LTD.**, Zhejiang (CN)

(**) Term: **15 Years**

(21) Appl. No.: **29/629,345**

(22) Filed: **Dec. 13, 2017**

(30) **Foreign Application Priority Data**

Jul. 12, 2017 (CN) 2017 3 0304677

(51) **LOC (12) Cl.** **23-04**

(52) **U.S. Cl.**
USPC **D23/372**

(58) **Field of Classification Search**
USPC D23/332-337, 370-385, 411
CPC .. F24C 15/2042; F24C 15/2021; F24C 13/00;
F24C 15/20; F24C 15/2028; F24C
15/2035; F24C 15/205; F24C 15/2071;
F24C 15/2085; F24C 15/2092
See application file for complete search history.

(56) **References Cited**

U.S. PATENT DOCUMENTS

D237,971 S *	12/1975	Chiang	D23/372
D332,305 S *	1/1993	Karlsson	D23/371
D443,351 S *	6/2001	Strand	D23/372
D452,558 S *	12/2001	Tamura	D23/372
D452,907 S *	1/2002	Tamura	D23/372
D462,435 S *	9/2002	Kojima	D23/372
D489,805 S *	5/2004	Vetter	F24C 15/20
				D23/371
D563,539 S *	3/2008	Sinur	D23/372
D571,446 S *	6/2008	Martin	D23/372
D659,232 S *	5/2012	Funnell, II	D23/371

D783,798 S *	4/2017	Ura	D23/393
2010/0071326 A1 *	3/2010	Alexander	B01D 39/1615
				55/514
2013/0092148 A1 *	4/2013	Parvin	F24C 15/20
				126/299 D
2019/0072282 A1 *	3/2019	Fang	G01N 21/53

OTHER PUBLICATIONS

Fotile JQG7501 Range Hood High Airflow 30" Under Cabinet with LED Lights, date published Jun. 19, 2017, site visited Jul. 1, 2019, Available from Internet, <<https://www.youtube.com/watch?v=x0axjXsXlzo>>.*

* cited by examiner

Primary Examiner — Cathron C Brooks

Assistant Examiner — Sharon S Oum

(74) *Attorney, Agent, or Firm* — JCIPRNET

(57) **CLAIM**

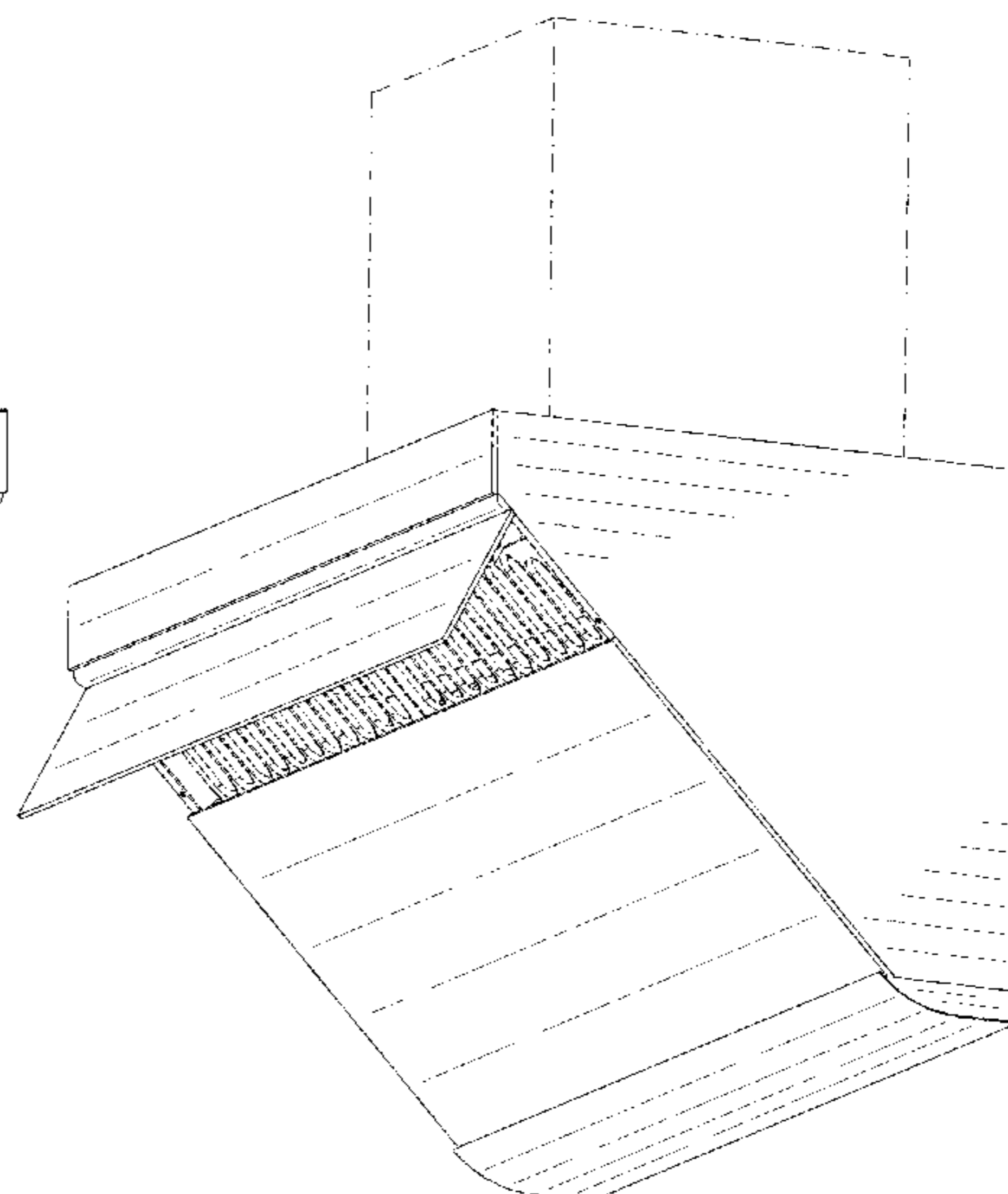
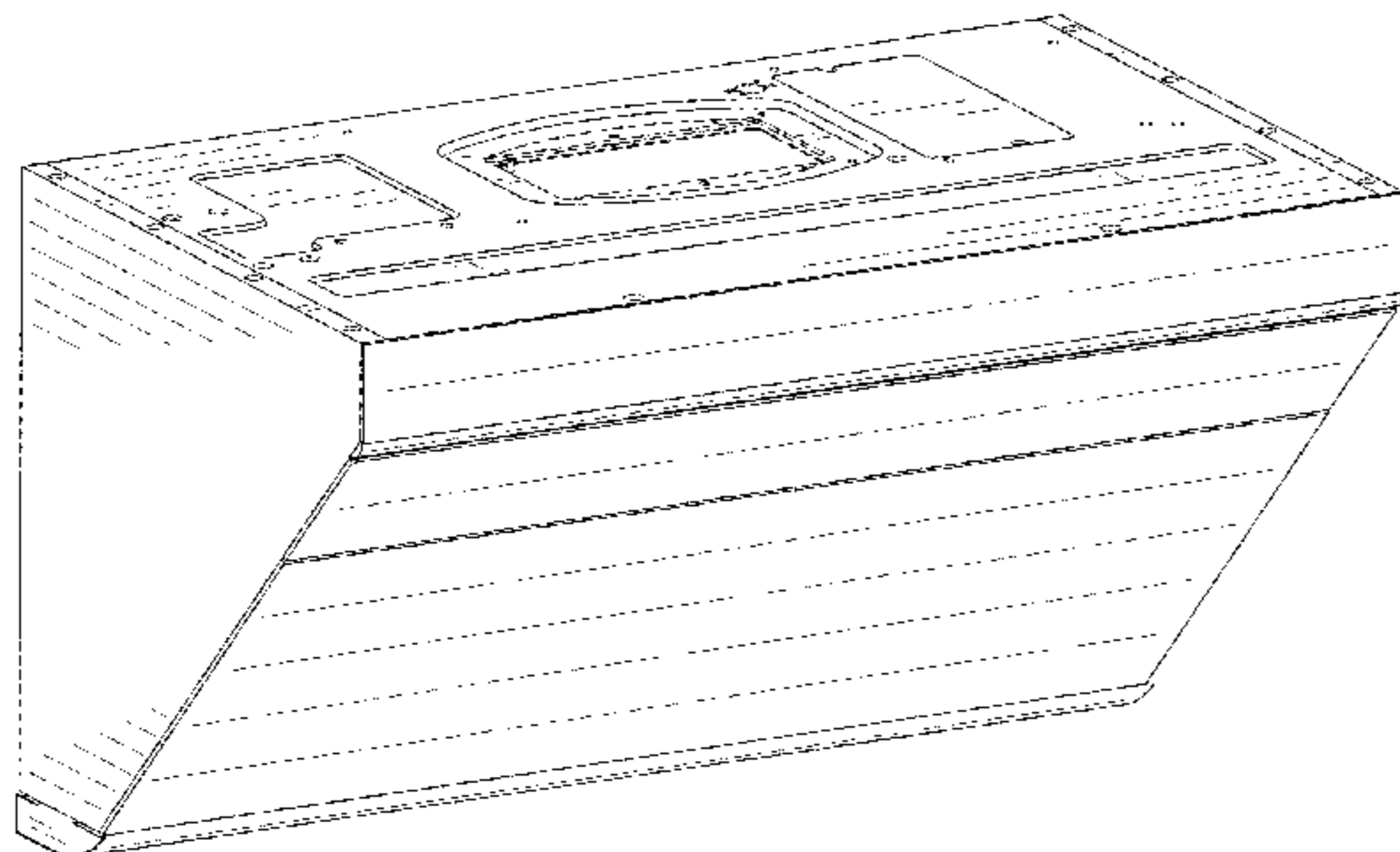
The ornamental design for a range hood, as shown and described.

DESCRIPTION

FIG. 1 is a perspective view of a range hood showing my new design;
FIG. 2 is another perspective view thereof;
FIG. 3 is a front view thereof;
FIG. 4 is a rear view thereof;
FIG. 5 is a left side view thereof;
FIG. 6 is a right side view thereof;
FIG. 7 is a top plan view thereof;
FIG. 8 is a bottom plan view thereof; and,
FIG. 9 is another perspective view thereof shown in a position of use.

The broken lines represent portions of the range hood and form no part of the claimed design. The dot dash broken lines in FIG. 9 represent the environment of the range hood and form no part of the claimed design.

1 Claim, 6 Drawing Sheets



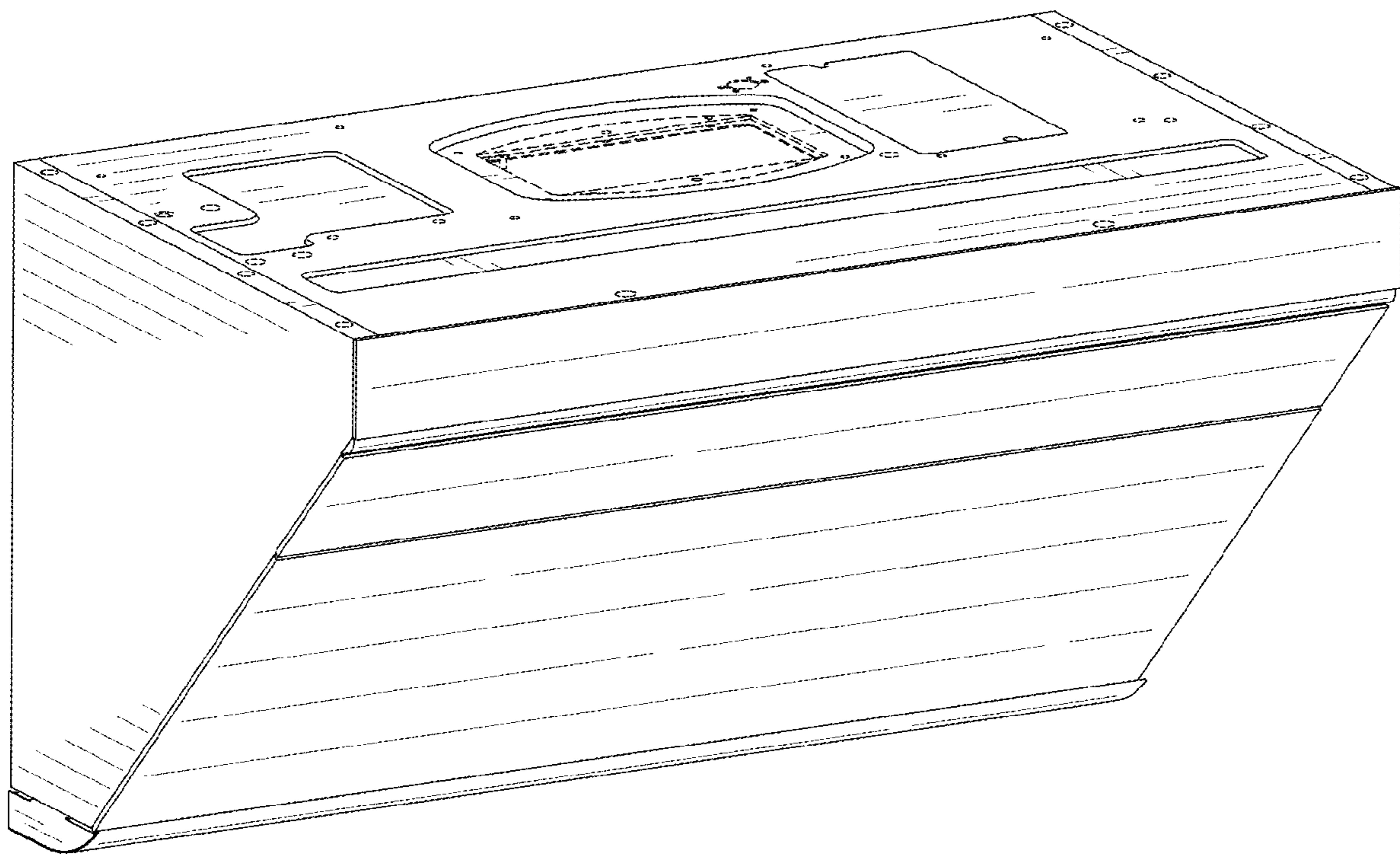


FIG. 1

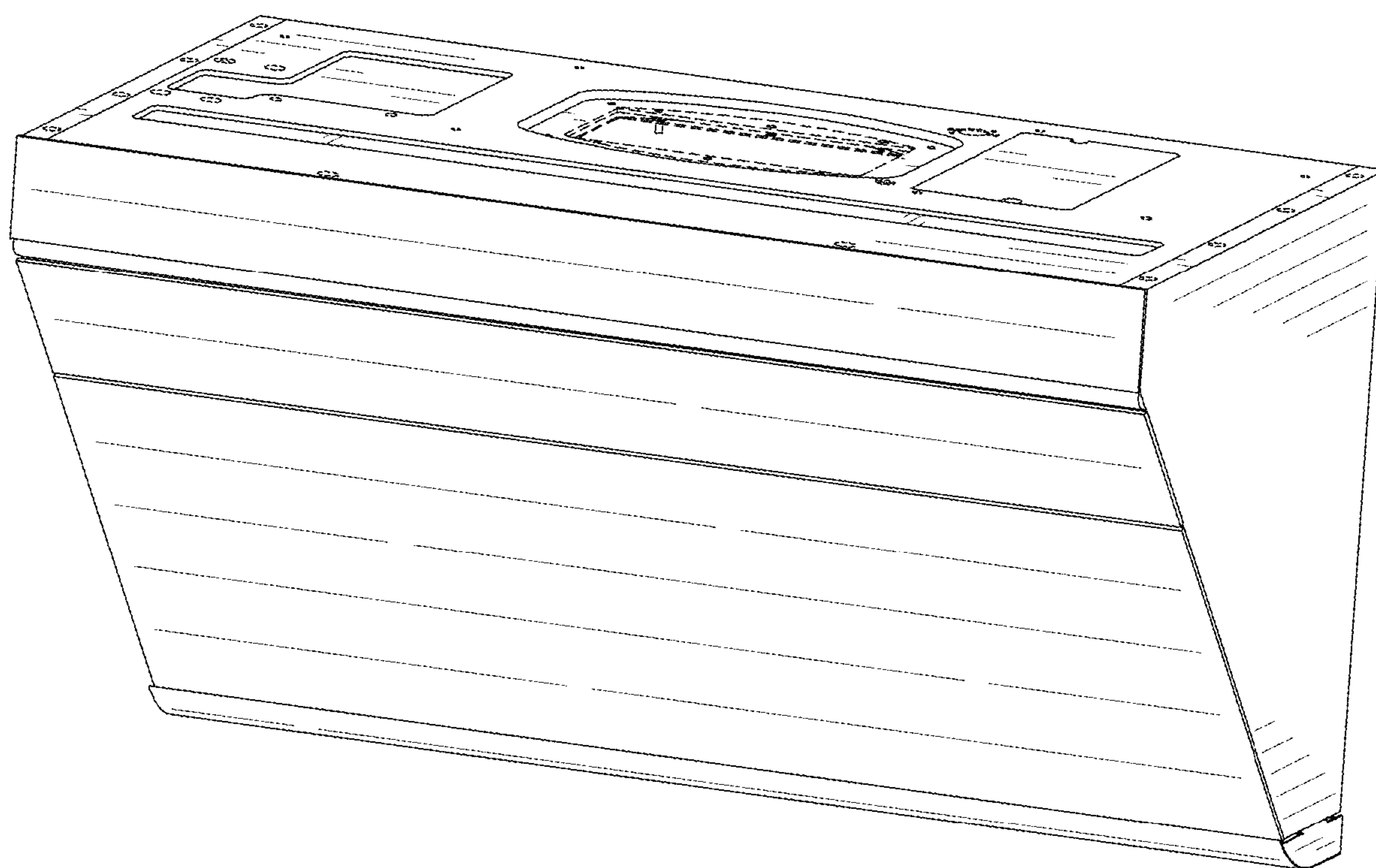


FIG. 2

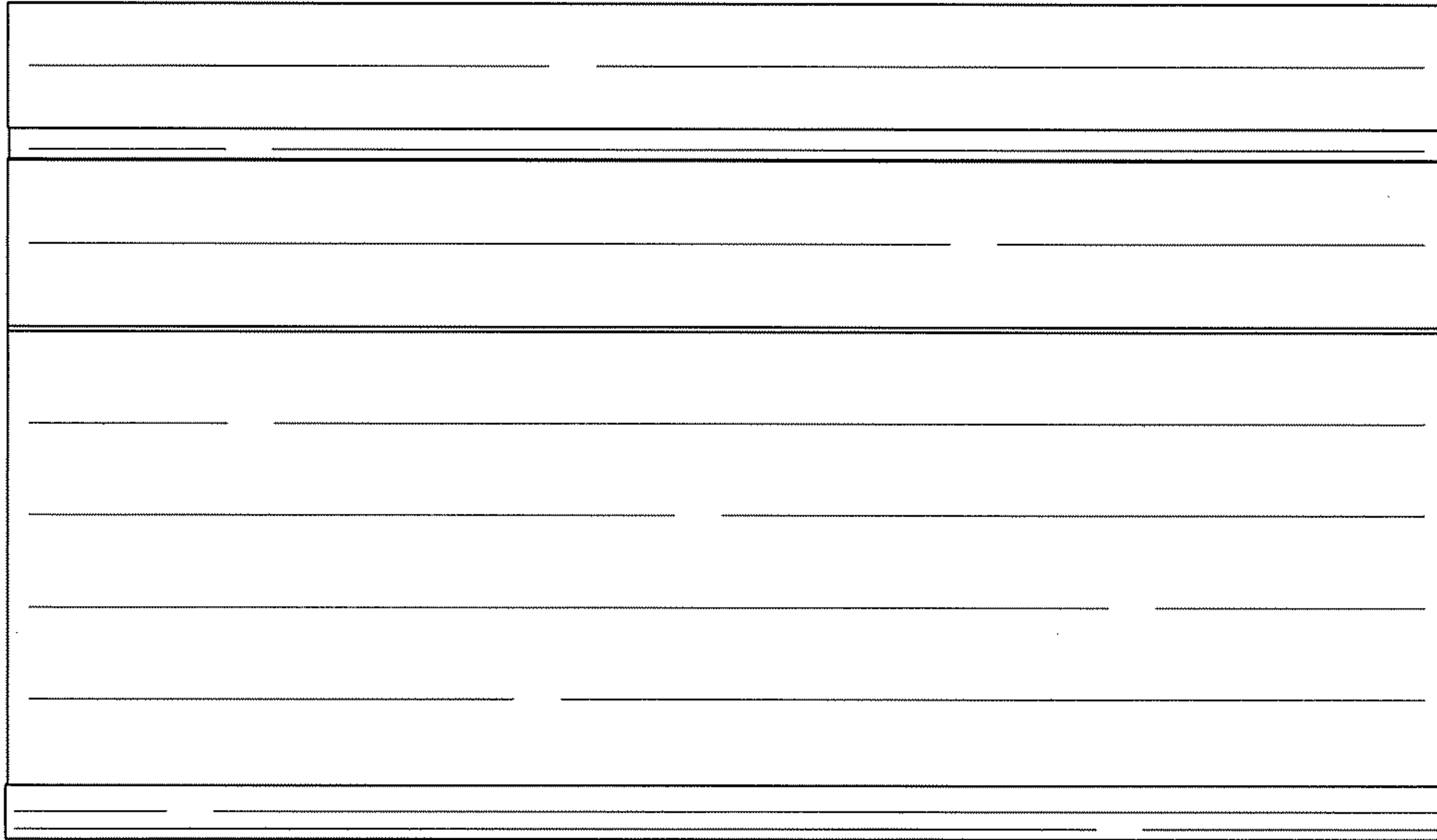


FIG. 3

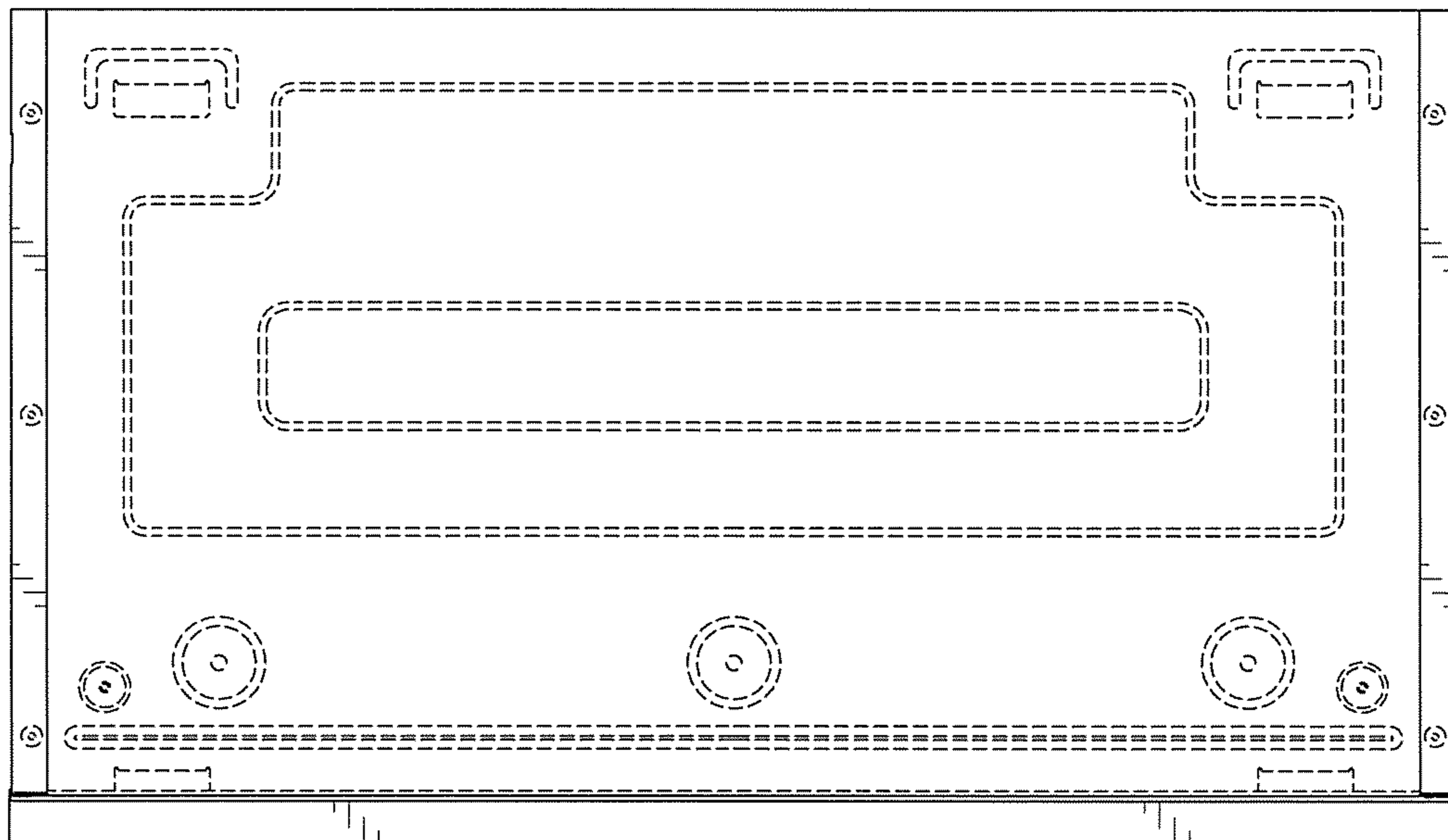


FIG. 4

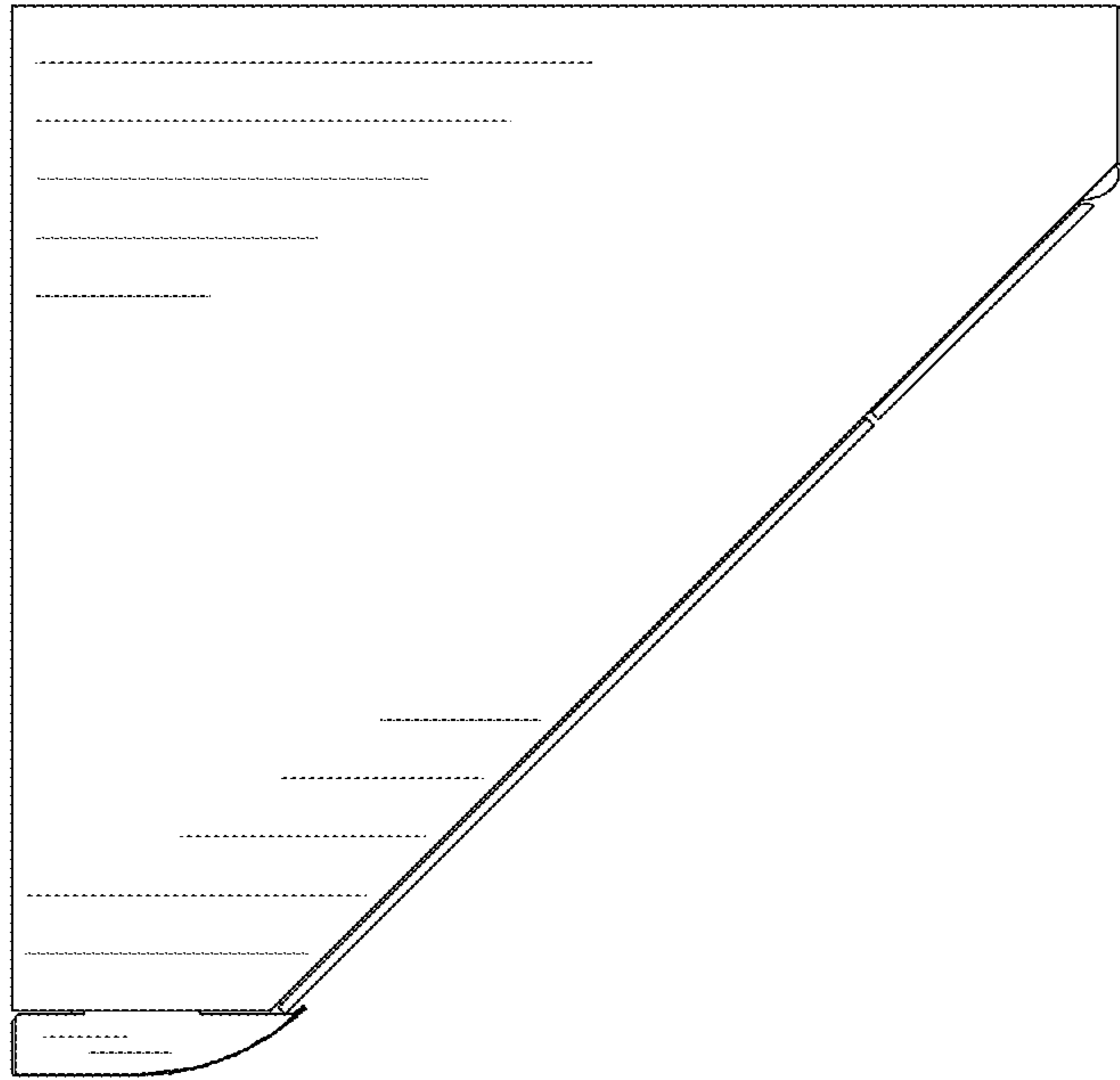


FIG. 5

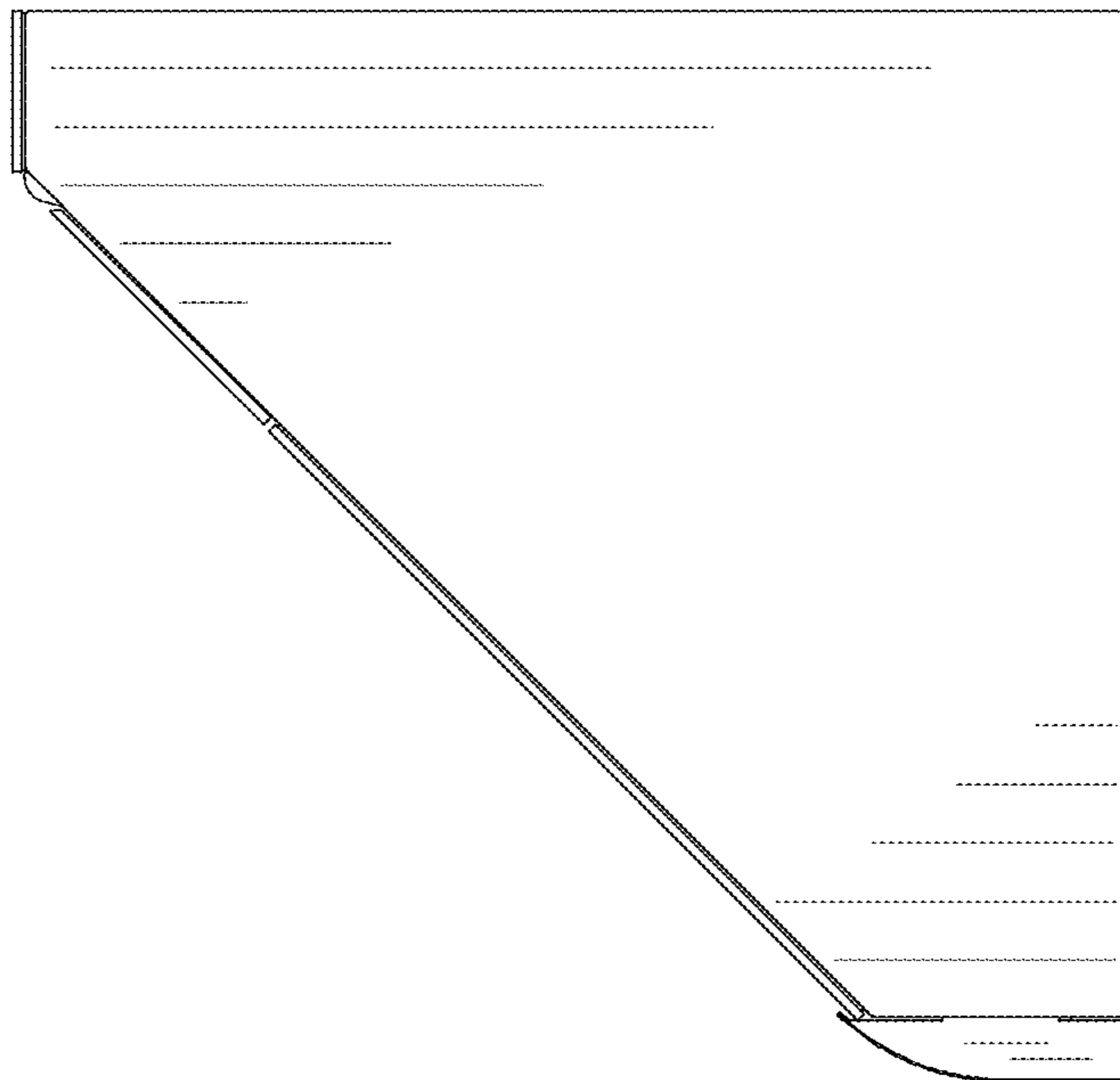


FIG. 6

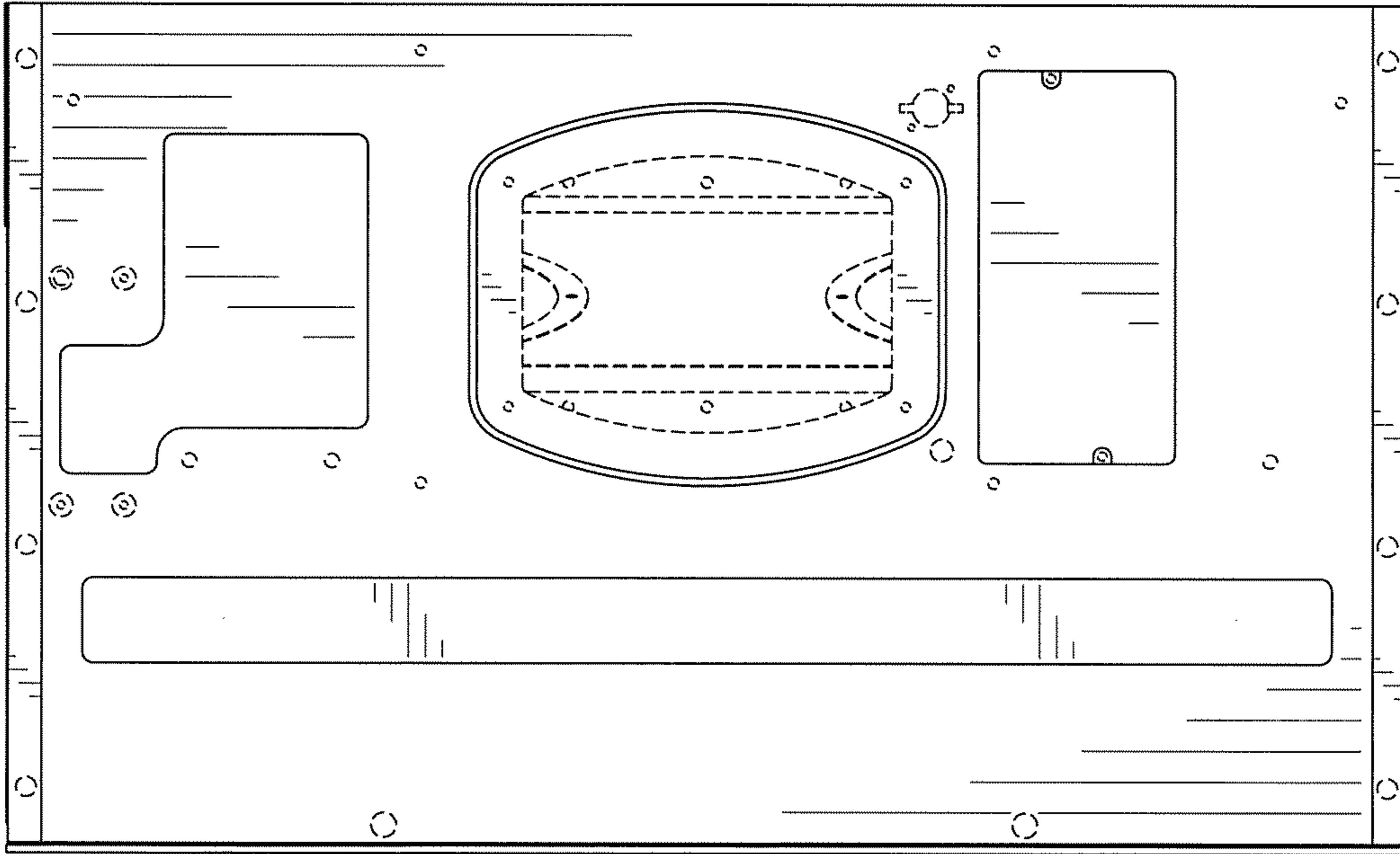


FIG. 7

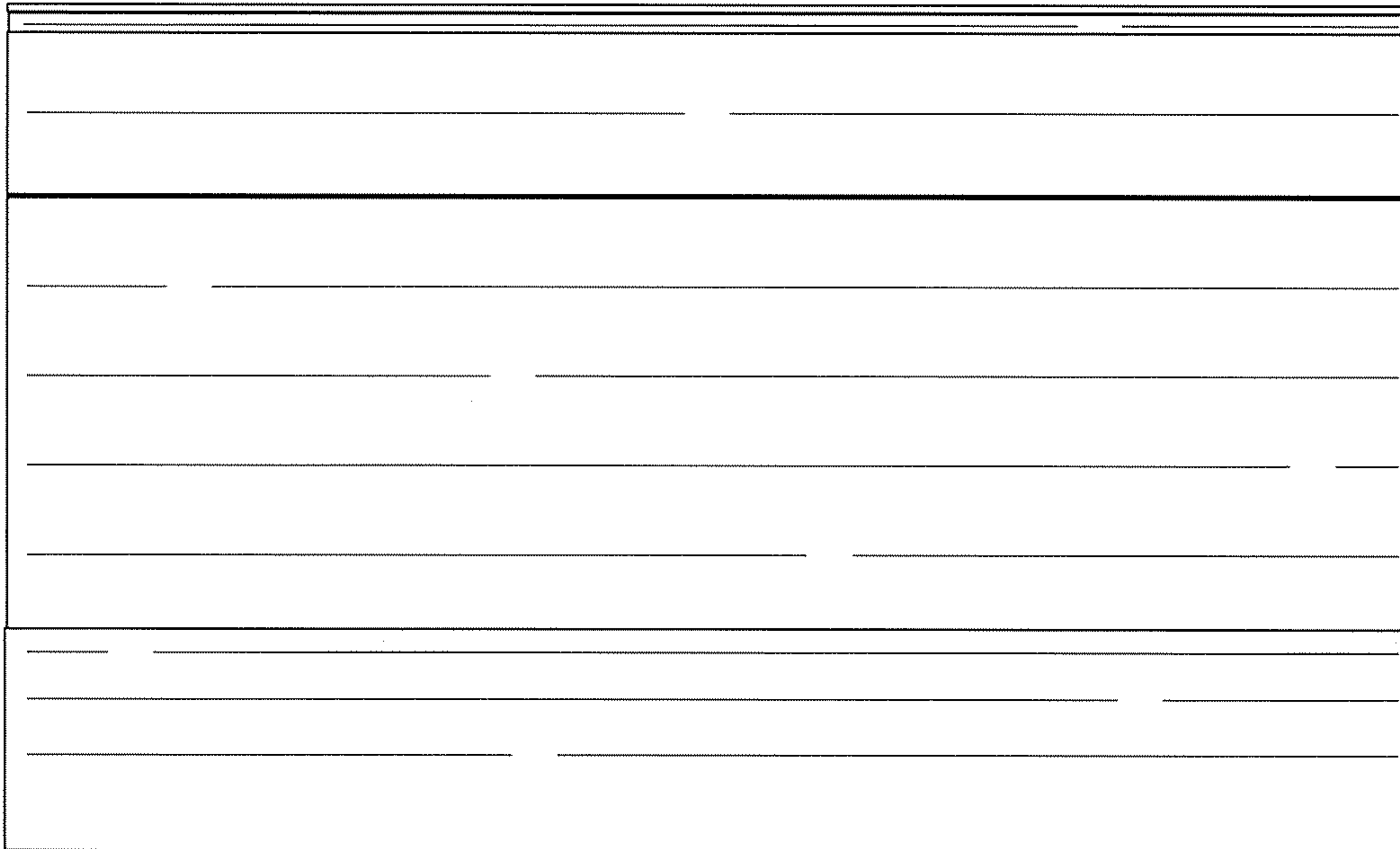


FIG. 8

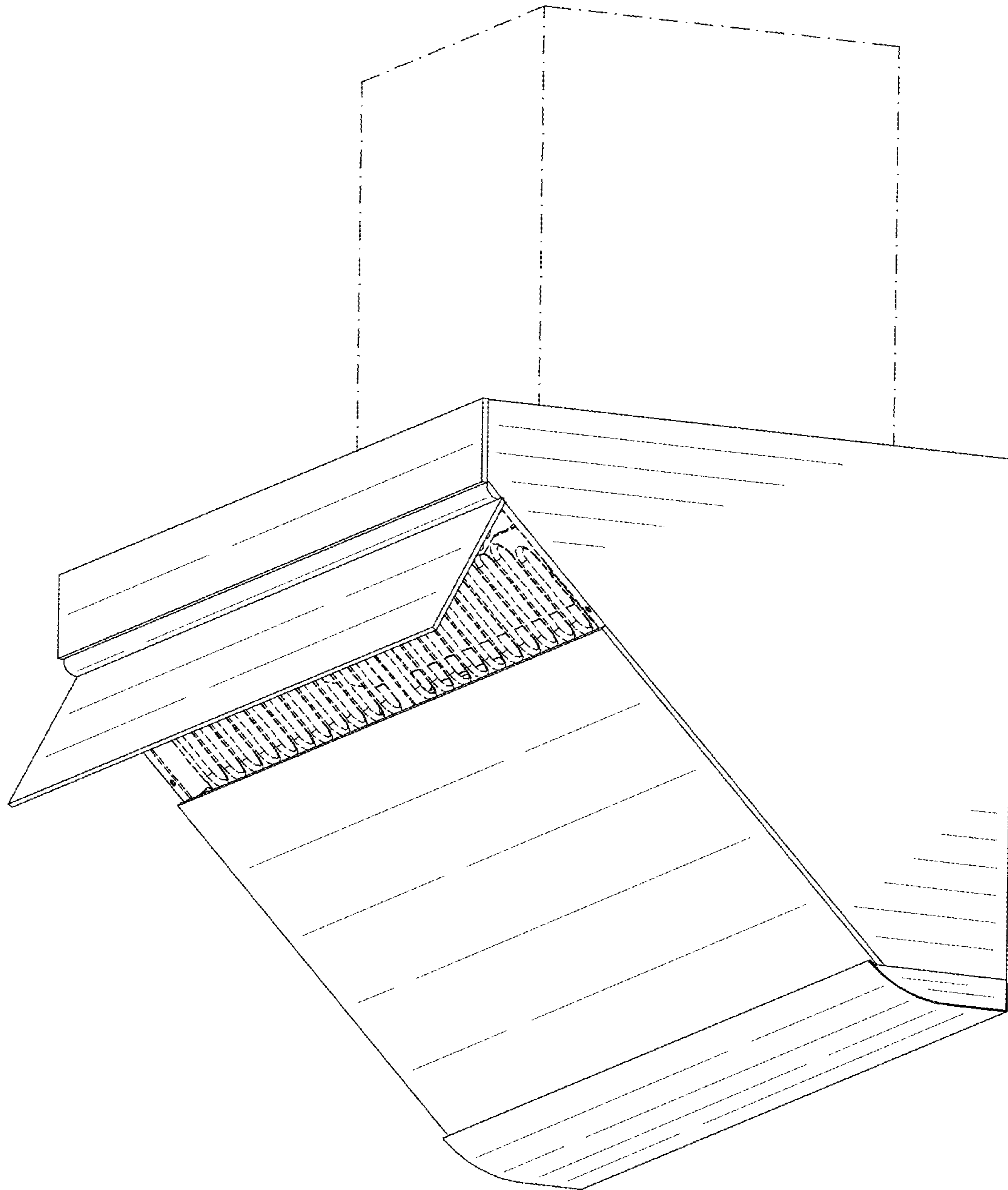


FIG. 9