



US00D875909S

(12) **United States Design Patent** (10) **Patent No.:** **US D875,909 S**  
**Gregerson et al.** (45) **Date of Patent:** **\*\* \*Feb. 18, 2020**

(54) **AIR FILTER**

(71) Applicant: **3M INNOVATIVE PROPERTIES COMPANY**, St. Paul, MN (US)  
(72) Inventors: **Glen O. Gregerson**, Hudson, WI (US); **Jonathan M. Lise**, Woodbury, MN (US)  
(73) Assignee: **3M Innovative Properties Company**, St. Paul, MN (US)

(\* ) Notice: This patent is subject to a terminal disclaimer.

(\*\* ) Term: **15 Years**

(21) Appl. No.: **29/568,568**

(22) Filed: **Jun. 20, 2016**

(51) **LOC (12) Cl.** ..... **23-04**

(52) **U.S. Cl.**  
USPC ..... **D23/365**

(58) **Field of Classification Search**  
USPC ..... D23/200, 259, 314, 325, 333–336,  
D23/355–365, 386–388  
(Continued)

(56) **References Cited**

**U.S. PATENT DOCUMENTS**

D425,189 S \* 5/2000 Gillingham ..... D23/355  
D544,949 S 6/2007 Winters et al.  
(Continued)

**FOREIGN PATENT DOCUMENTS**

CN 3272301 1/2003  
CN 303386517 9/2015  
(Continued)

**OTHER PUBLICATIONS**

Trademark Application Serial No. 86-935,298, filed Mar. 10, 2016.  
(Continued)

*Primary Examiner* — Karen E Kearney  
*Assistant Examiner* — John A Voytek  
(74) *Attorney, Agent, or Firm* — Kevin Weber

(57) **CLAIM**

The ornamental design for an air filter, as shown and described.

**DESCRIPTION**

The patent or application file contains at least one drawing executed in color. Copies of this patent or patent application with color drawings will be provided by the United States Patent and Trademark Office upon request and payment of the necessary fee.

FIG. 1 is a perspective view showing the new design for an air filter.

FIG. 2 is a top view thereof;

FIG. 3 is a bottom view thereof;

FIG. 4 is a side view thereof;

FIG. 5 is a side view thereof;

FIG. 6 is a perspective view showing the new design for an air filter;

FIG. 7 is an enlarged view of a portion of the air filter of FIG. 6;

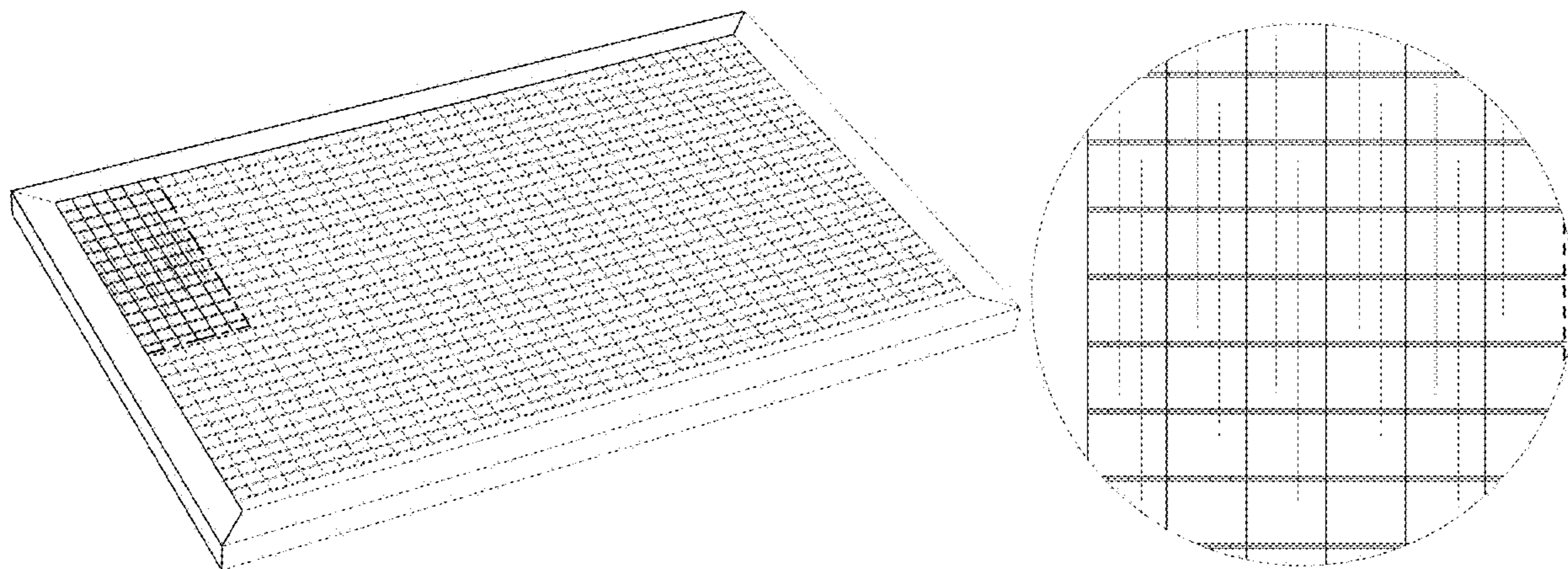
FIG. 8 is a top view thereof; and,

FIG. 9 is an enlarged view of a portion of the air filter of FIG. 8.

The claimed area of the air filter of FIGS. 6-9 is illustrated with the color designation for the color yellow. The thicker dash-dot-dash broken lines define the boundaries of the claimed design on the surface(s) of the filter media, while the thinner dash-dash lines defining other boundaries relative to the edges of the media and the frame; these lines form no part of the claimed design.

The portions in the drawing views shown in broken lines form no part of the claimed design.

**1 Claim, 8 Drawing Sheets**  
**(2 of 8 Drawing Sheet(s) Filed in Color)**



# US D875,909 S

Page 2

(58) **Field of Classification Search**

CPC ..... Y10T 428/1366; A61M 25/0012; B01D  
46/00; B01D 46/0004; B01D 27/04;  
B32B 2597/00

See application file for complete search history.

D690,407 S \* 9/2013 Williams ..... D23/365  
D713,023 S \* 9/2014 Chen ..... D23/365  
D717,420 S \* 11/2014 Von Seggern ..... D23/365  
D725,390 S 3/2015 Sanocki  
D732,153 S \* 6/2015 Sanocki ..... D23/365  
9,174,159 B2 11/2015 Sanocki  
D754,315 S \* 4/2016 Morin ..... D23/365

(56) **References Cited**

U.S. PATENT DOCUMENTS

D549,314 S \* 8/2007 Wennerstrom ..... D23/365  
D593,189 S 5/2009 Kawano  
D605,275 S \* 12/2009 Kawano ..... D23/365  
D652,497 S \* 1/2012 Troxell ..... D23/365  
D655,803 S \* 3/2012 Platt ..... D23/365  
D655,804 S \* 3/2012 Platt ..... D23/365  
D657,858 S \* 4/2012 Platt ..... D23/365  
D679,792 S \* 4/2013 Hollingsworth ..... D23/365

FOREIGN PATENT DOCUMENTS

CN 303388704 9/2015  
JP D119882 3/2004

OTHER PUBLICATIONS

Trademark Application Serial No. 86-912,631, filed Feb. 18, 2016.

\* cited by examiner

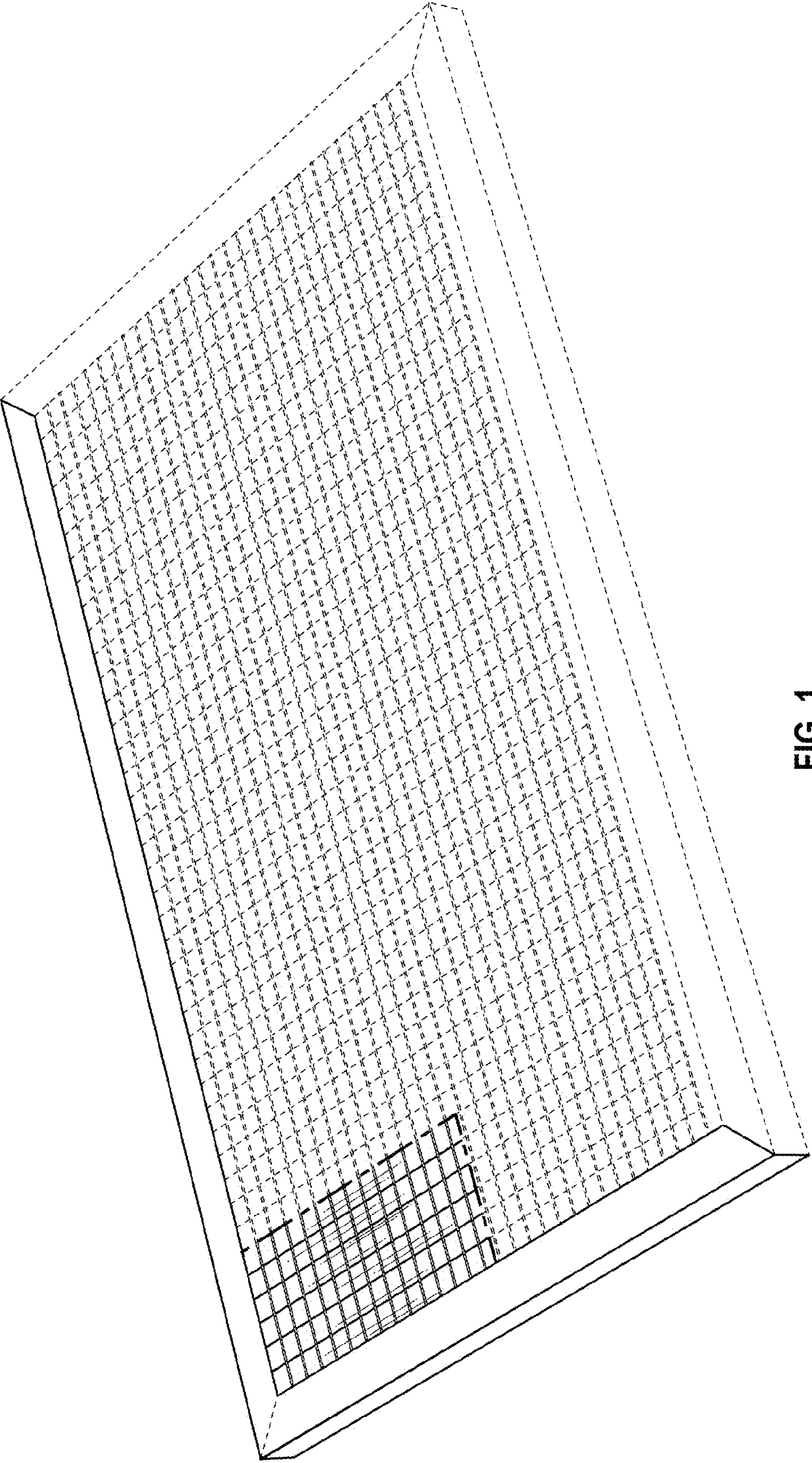


FIG. 1

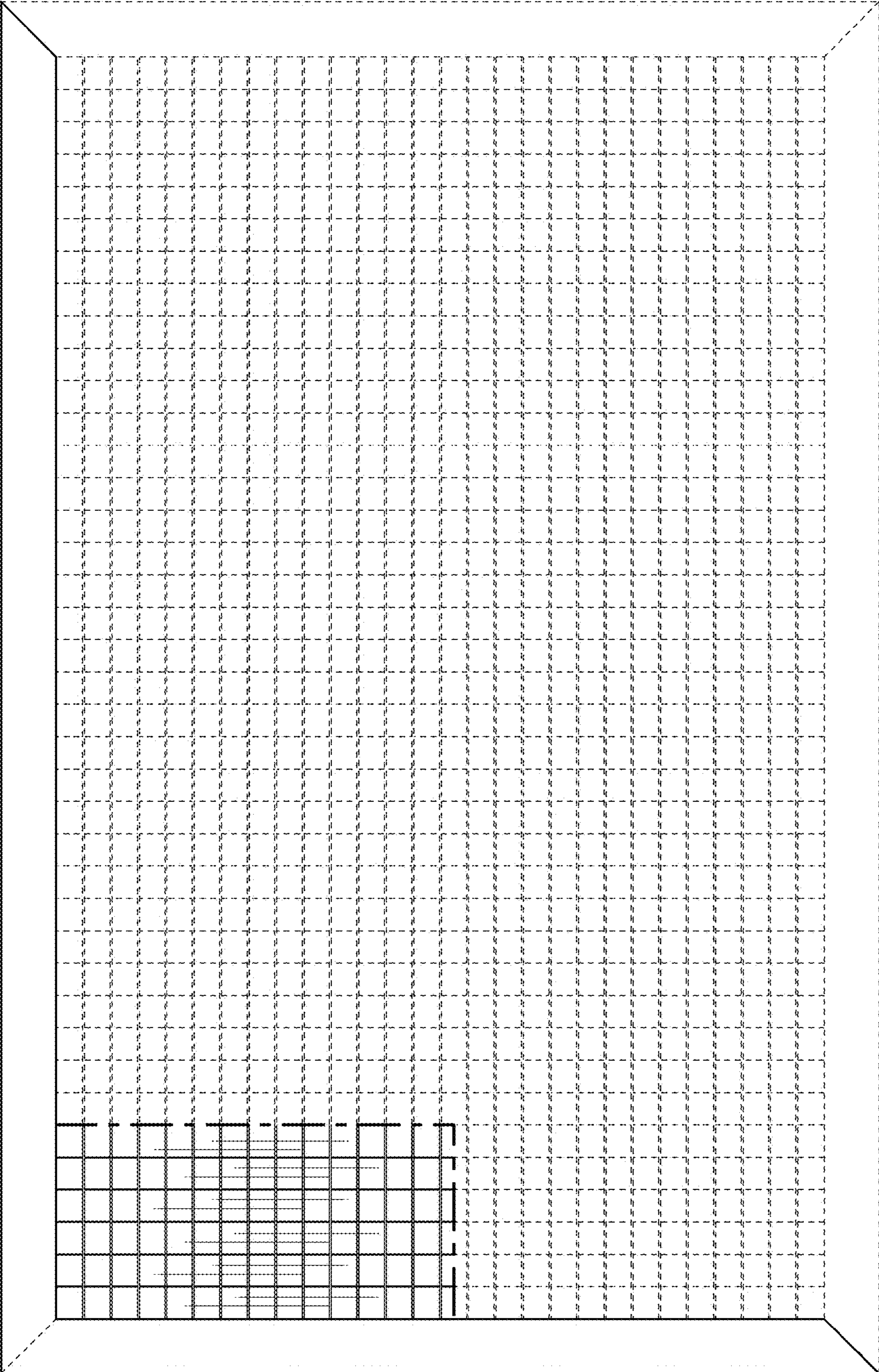


FIG. 2

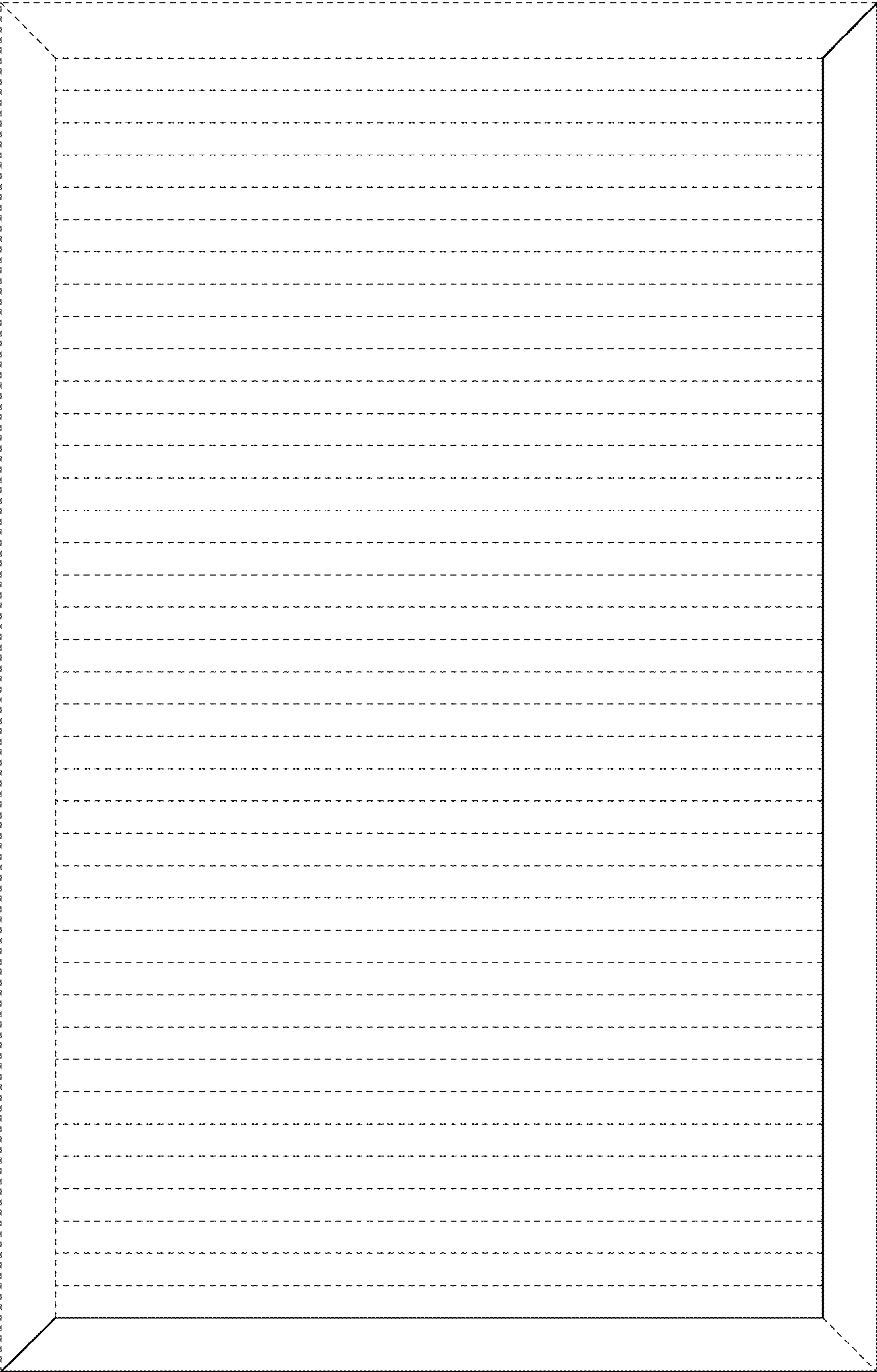


FIG. 3



FIG. 4

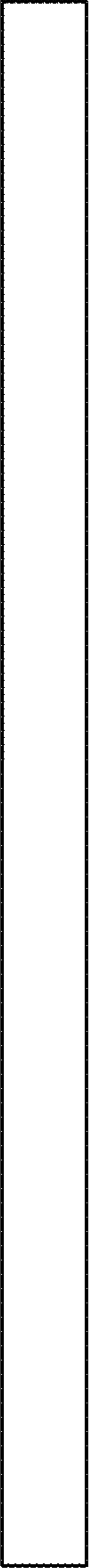


FIG. 5

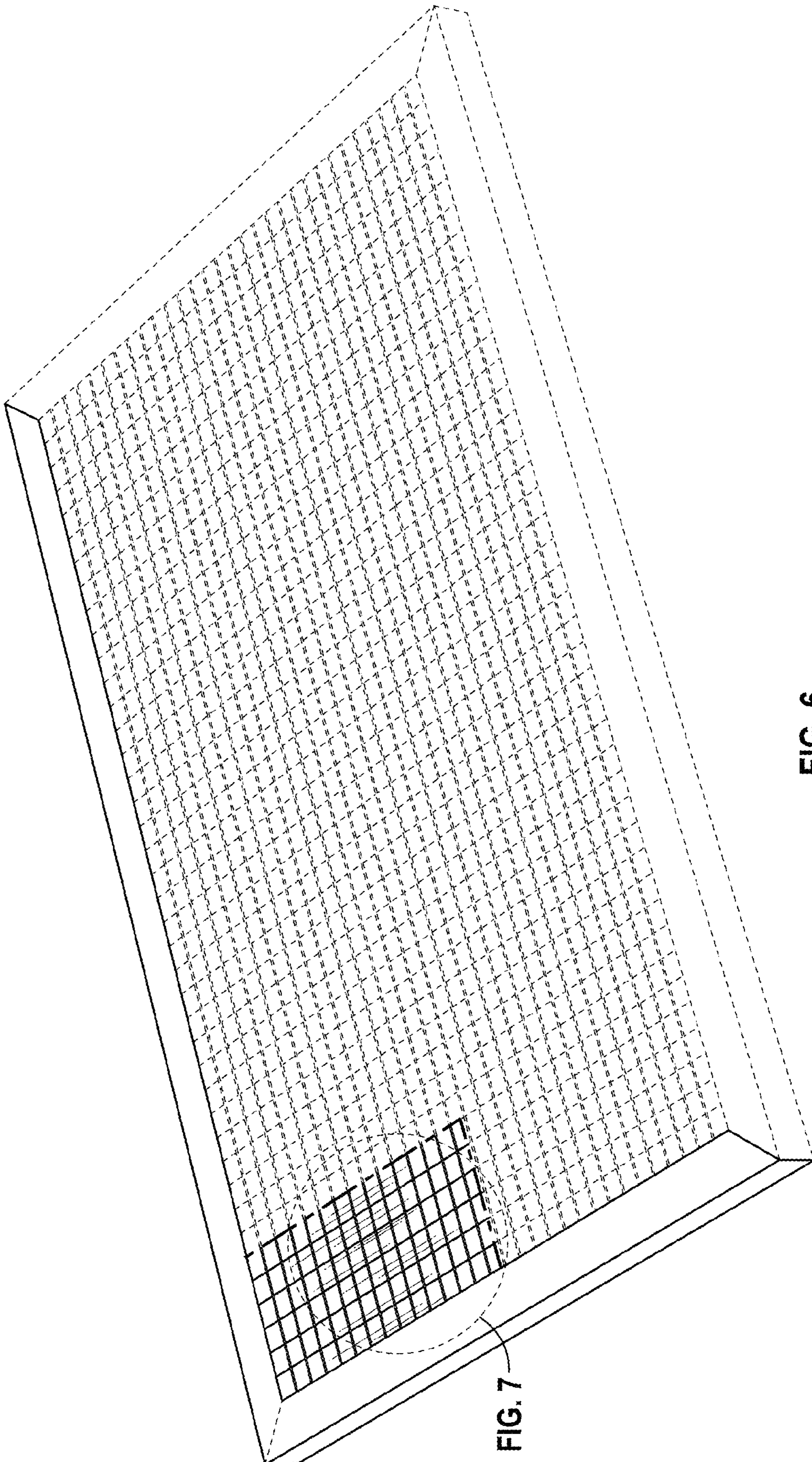


FIG. 6

FIG. 7

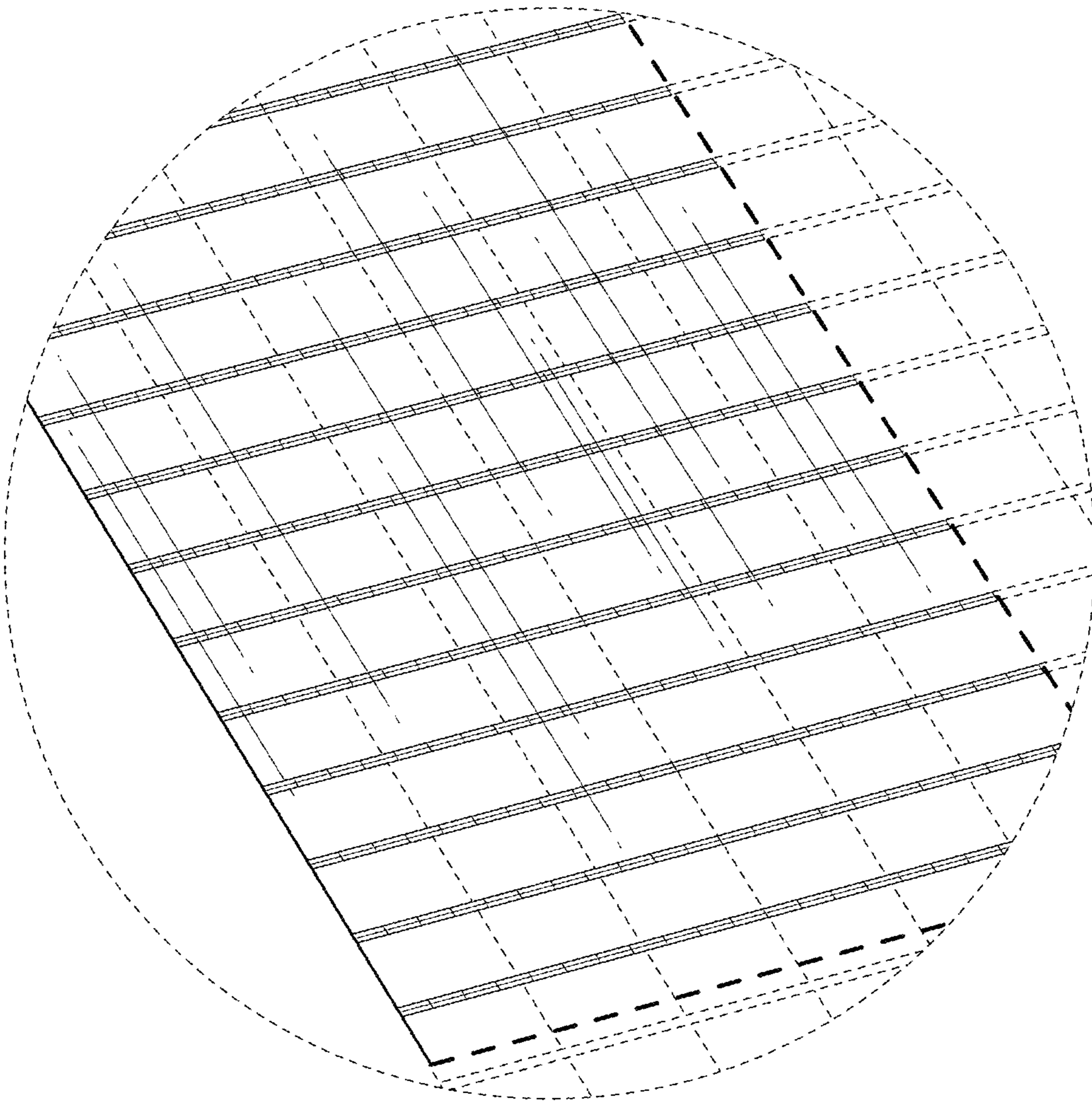


FIG. 7



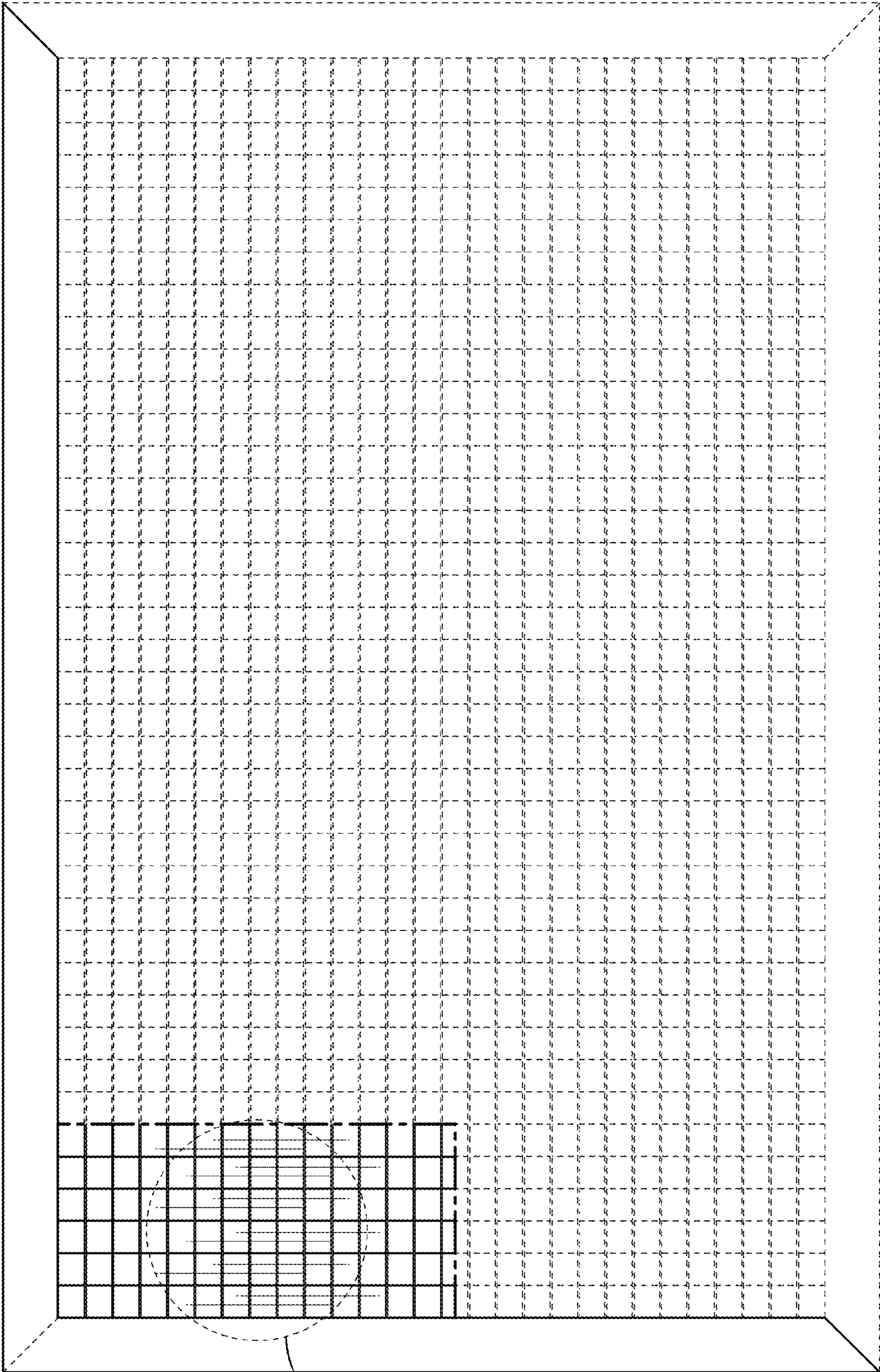


FIG. 8

FIG. 9

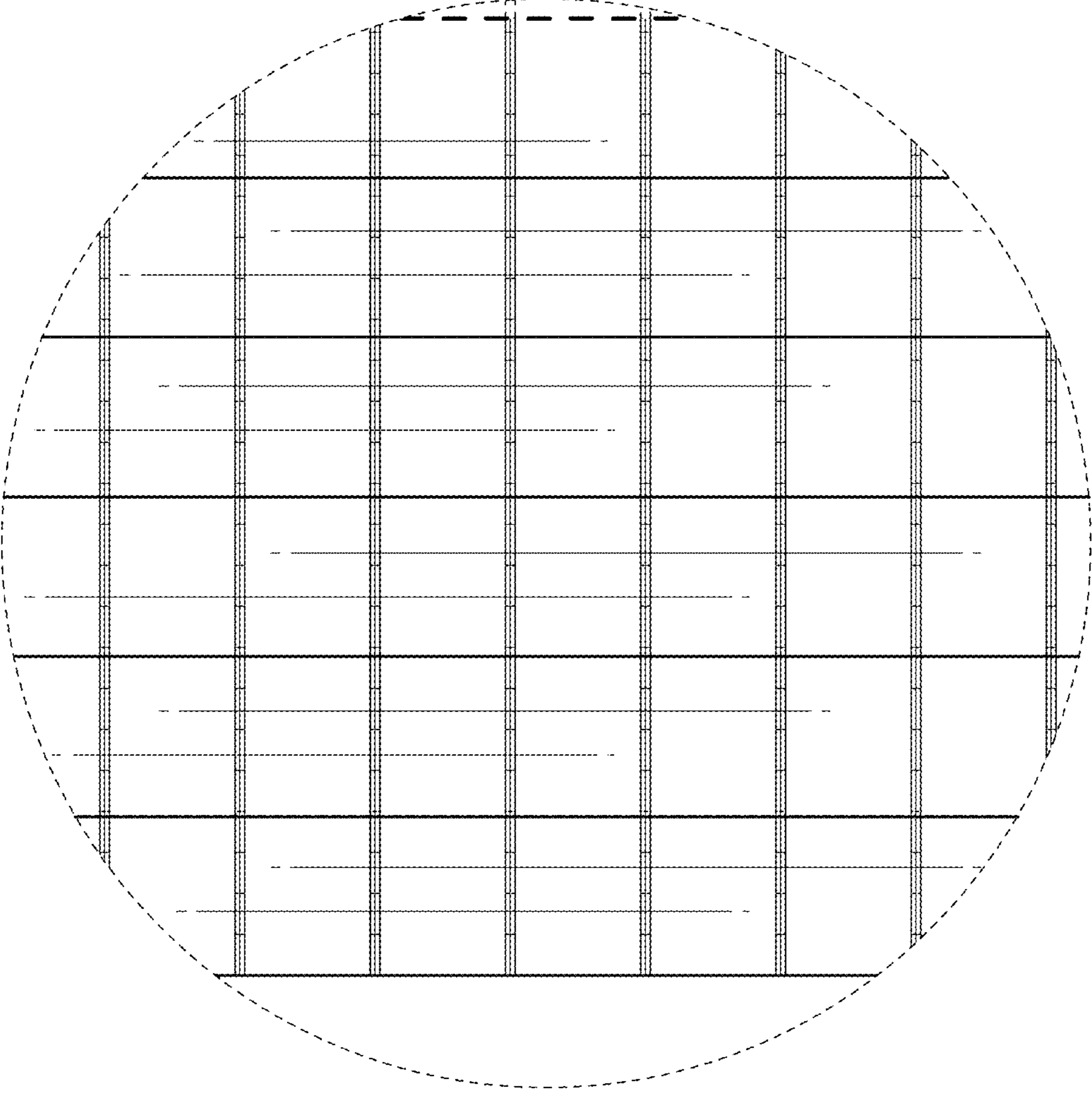


FIG. 9