



US00D875908S

(12) **United States Design Patent** (10) **Patent No.:** **US D875,908 S**
Wegener et al. (45) **Date of Patent:** **** Feb. 18, 2020**

(54) **MOBILE ELECTRIC HEATER**

(71) Applicant: **WEBASTO SE**, Stockdorf (DE)

(72) Inventors: **Fritz Wegener**, Stockdorf (DE);
Stephan Buckl, Stockdorf (DE);
Carsten Siebold, Stockdorf (DE);
Andreas Janker, Stockdorf (DE); **Andi Liebzig**, Stockdorf (DE); **Daniel Eckert**, Stockdorf (DE)

(73) Assignee: **WEBASTO SE**, Stockdorf (DE)

(**) Term: **15 Years**

(21) Appl. No.: **29/655,914**

(22) Filed: **Jul. 9, 2018**

(30) **Foreign Application Priority Data**

Jan. 10, 2018 (EM) 4661452

(51) **LOC (12) Cl.** **12-16**

(52) **U.S. Cl.**

USPC **D23/324**

(58) **Field of Classification Search**

USPC D23/314, 324, 322, 323, 317

CPC .. B60H 1/2218; B60H 1/2221; B60H 1/2225;
H05B 1/0236; H05B 3/262; F24H 1/009;
F24H 1/142; F24H 9/0015; F24H 9/2028;
F28F 3/12; F28F 13/12

See application file for complete search history.

(56) **References Cited**

U.S. PATENT DOCUMENTS

5,841,634 A * 11/1998 Visser F28F 3/12
361/699

D813,363 S * 3/2018 Wegener D23/324

10,171,778 B2 * 1/2019 Huang H04N 9/3144

2005/0019028 A1 * 1/2005 Kuebler B60S 1/488
392/484

2012/0325447 A1* 12/2012 You F28F 3/048
165/170

2015/0034626 A1* 2/2015 Kominami H05B 1/0236
219/483

2015/0090802 A1* 4/2015 Eckert F24H 1/009
237/12

2015/0110479 A1* 4/2015 Wu F24H 9/2028
392/490

2016/0195341 A1* 7/2016 Kominami F24H 1/009
165/293

2016/0360572 A1* 12/2016 Bohlender H05B 1/0236

2018/0261526 A1* 9/2018 Machler F28F 3/12

* cited by examiner

Primary Examiner — T Chase Nelson
Assistant Examiner — Ania Aman
(74) *Attorney, Agent, or Firm* — Boyle Fredrickson, S.C.

(57) **CLAIM**

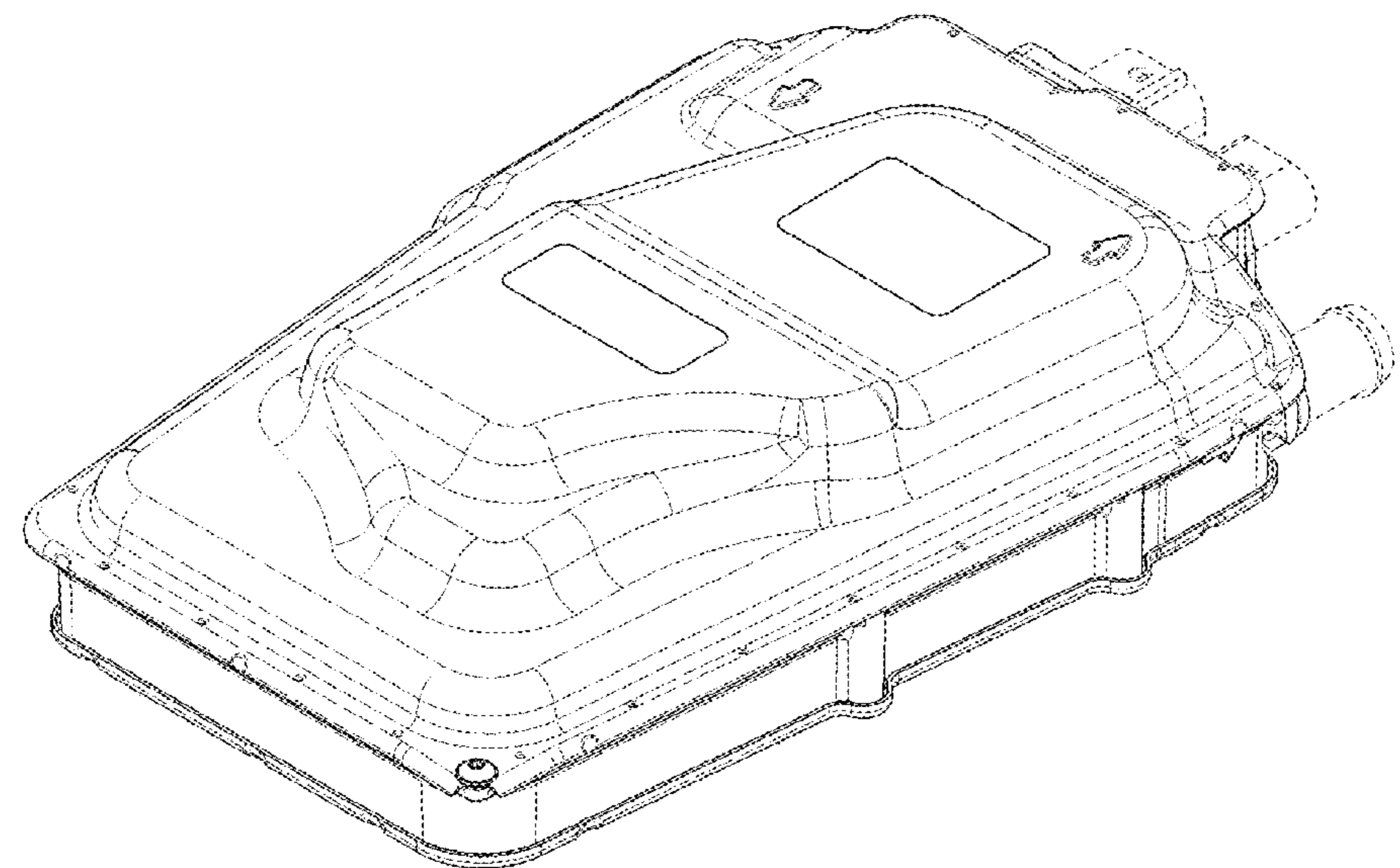
The ornamental design for a mobile electric heater, as shown and described.

DESCRIPTION

FIG. 1 is a perspective view of a mobile electric heater in accordance with the present invention;
FIG. 2 is a top plan view of the mobile electric heater of FIG. 1;
FIG. 3 is a bottom view of the mobile electric heater of FIG. 1;
FIG. 4 is a side elevational view of a first side of the mobile electric heater of FIG. 1;
FIG. 5 is a side elevational view of a second side of the mobile electric heater of FIG. 1;
FIG. 6 is a front elevational view of the mobile electric heater of FIG. 1; and,
FIG. 7 is a rear elevational view of the mobile electric heater of FIG. 1.

The broken lines in the drawings depict portions of the mobile electric heater that form no part of the claim.

1 Claim, 7 Drawing Sheets



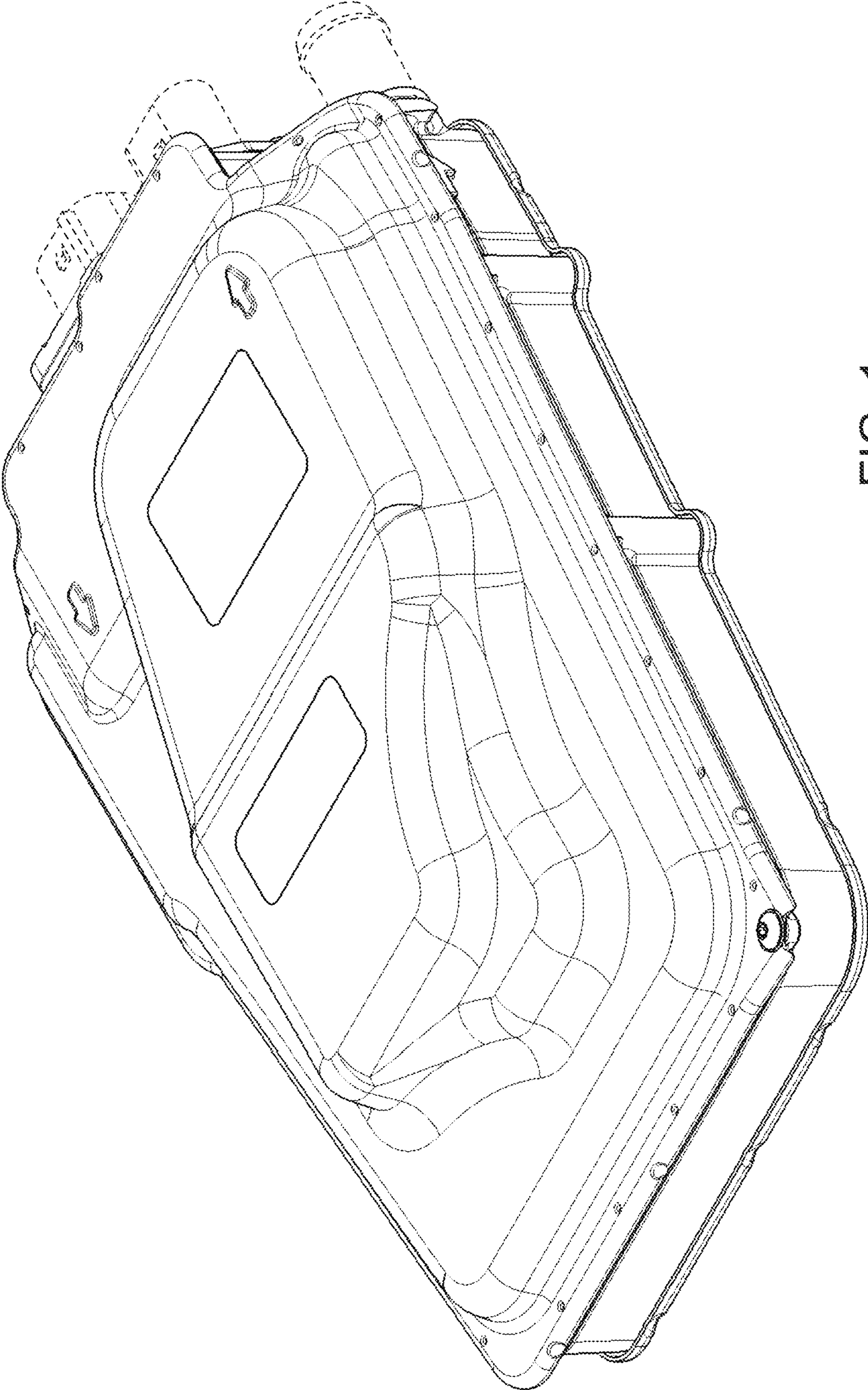


FIG. 1

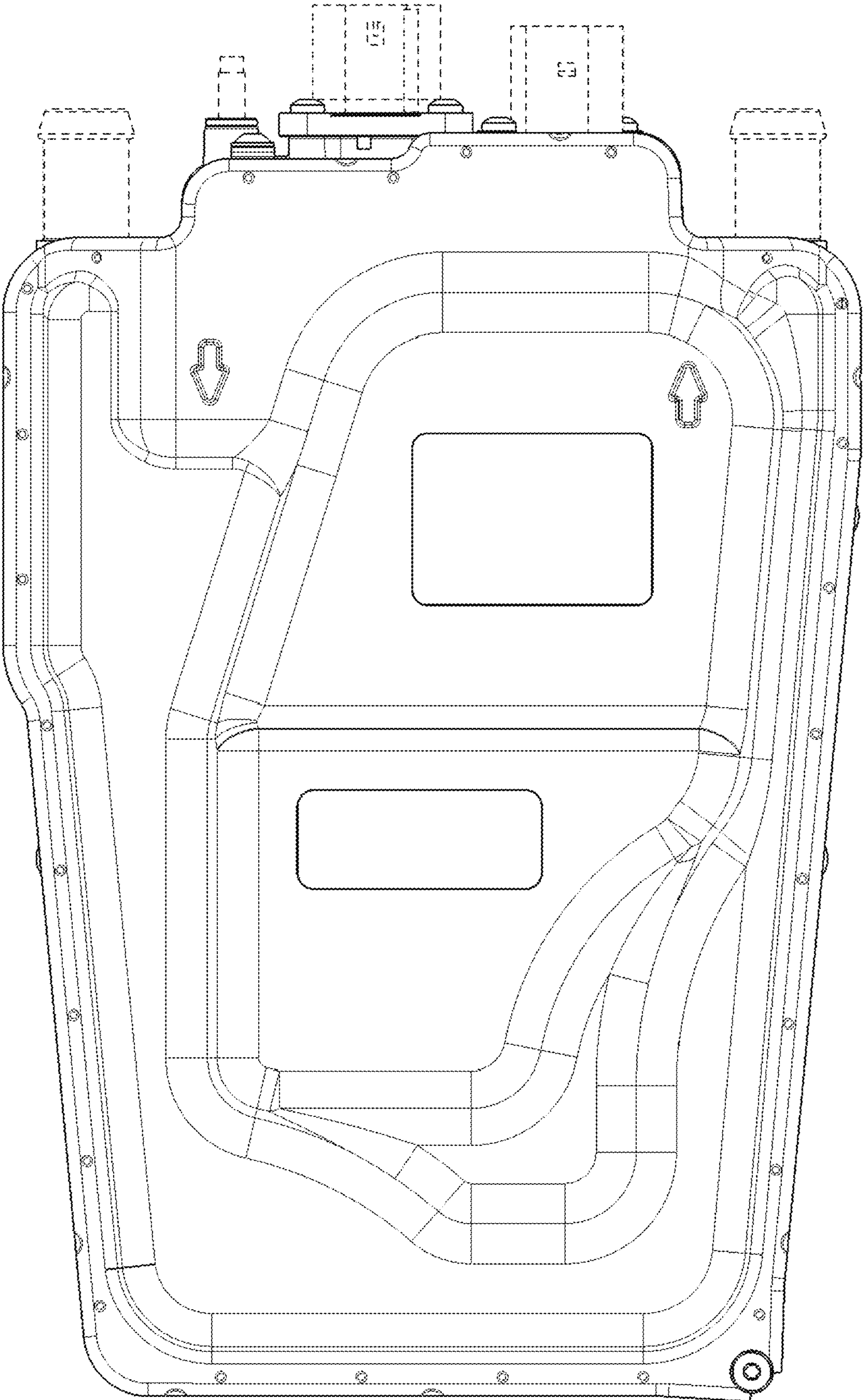


FIG. 2

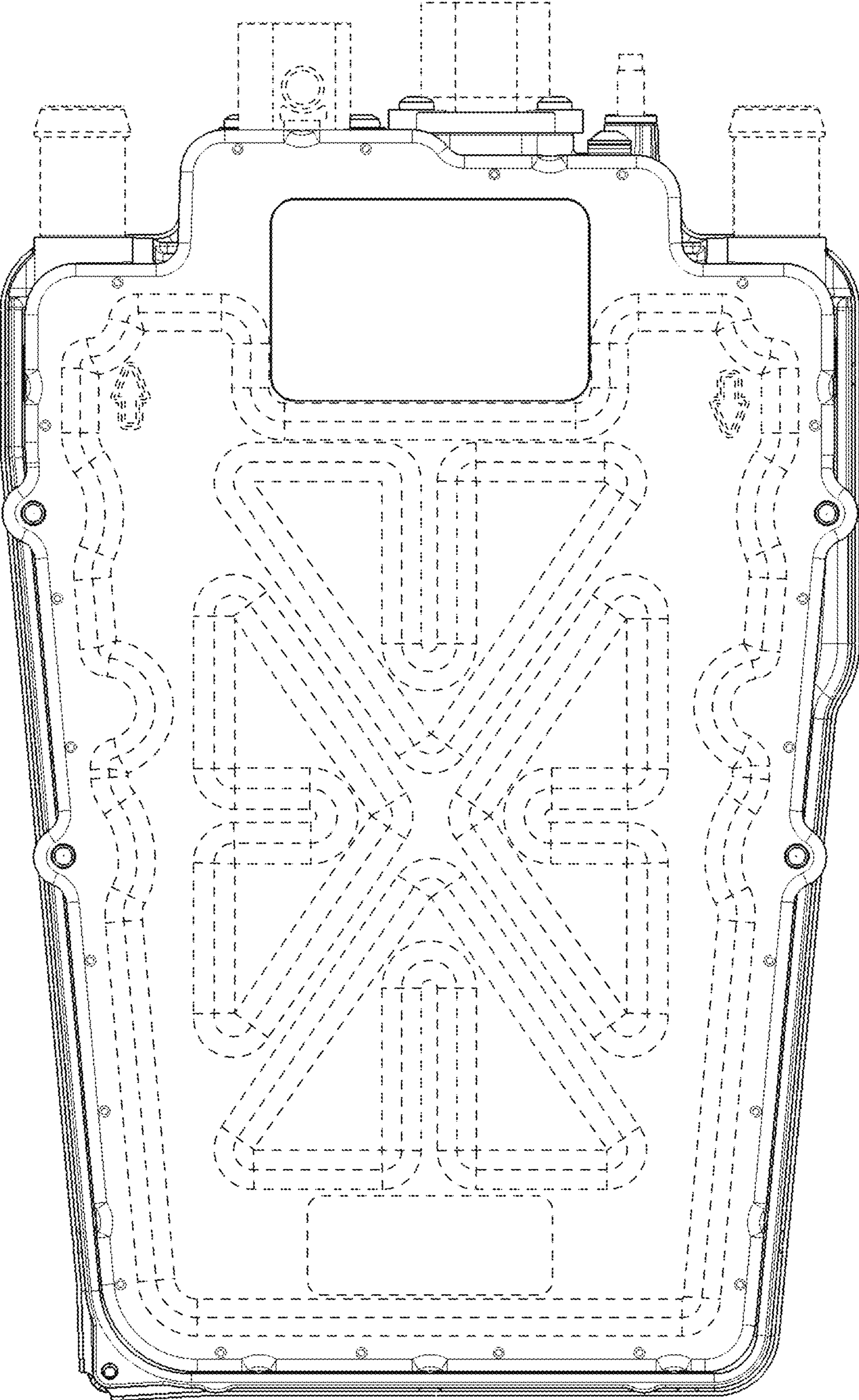


FIG. 3

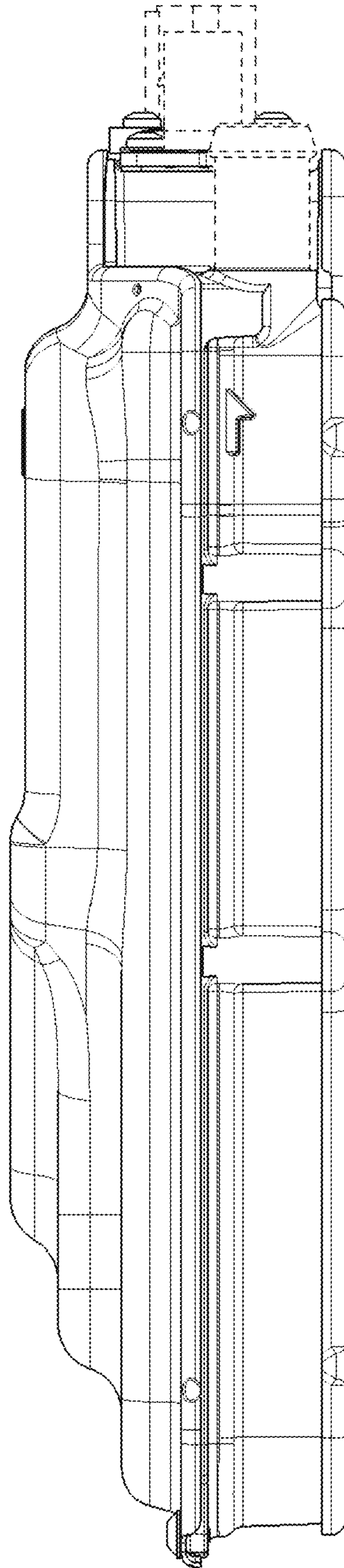


FIG. 4

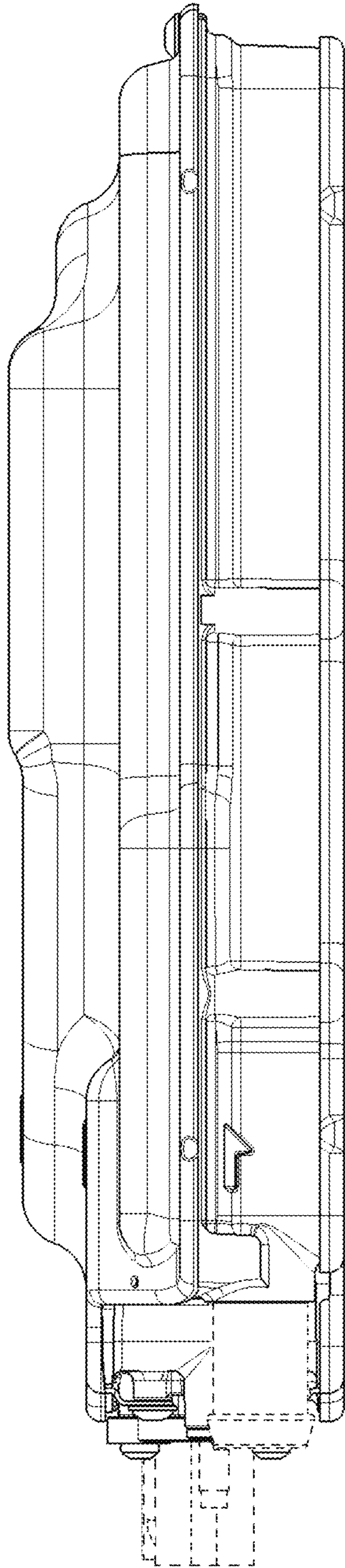


FIG. 5

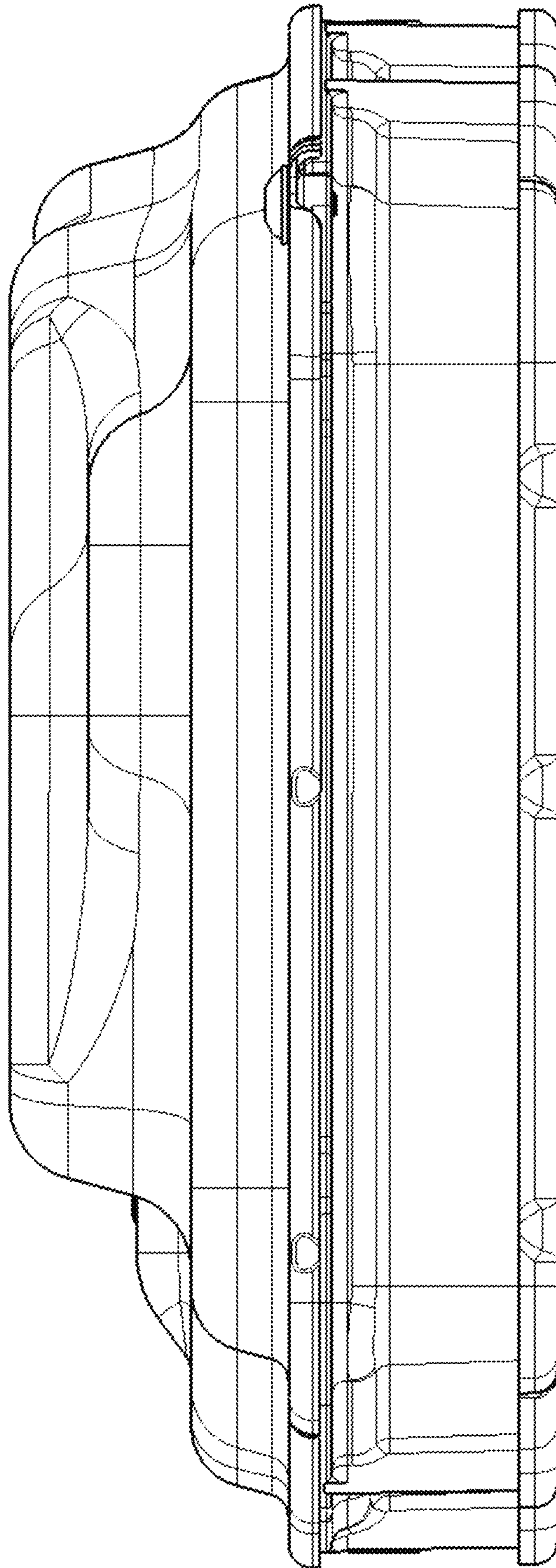


FIG. 6

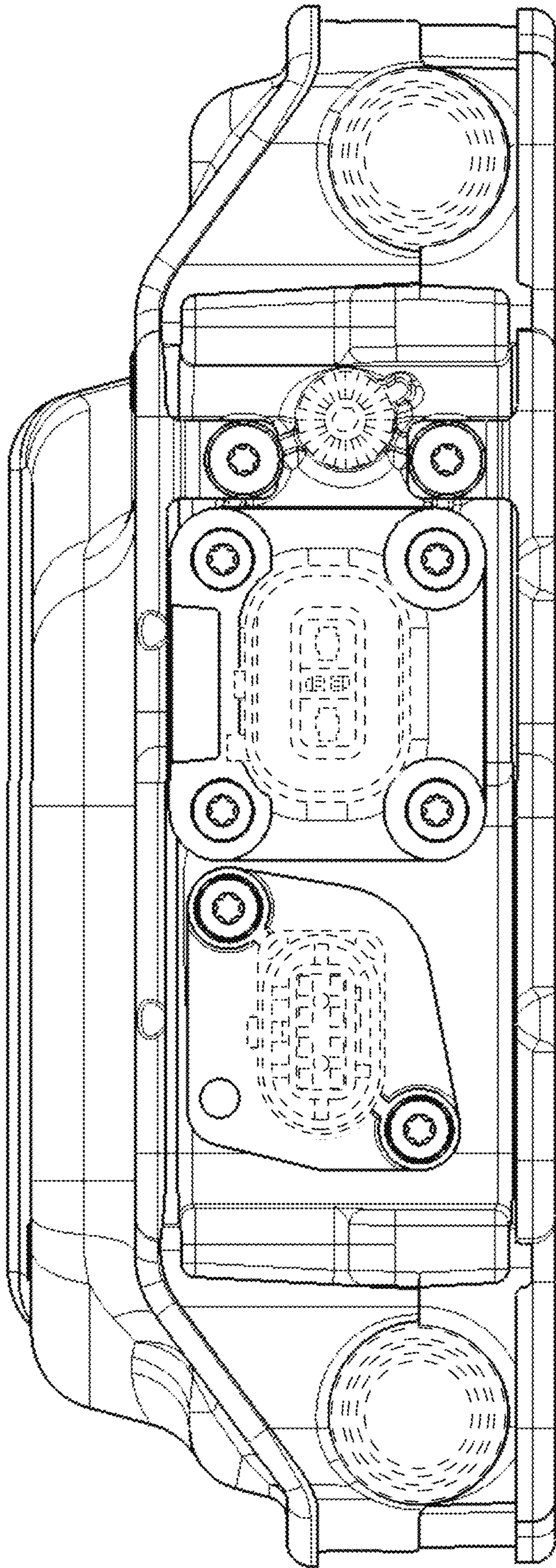


FIG. 7