

US00D875905S

(12) **United States Design Patent** (10) **Patent No.:** **US D875,905 S**  
**Hyde** (45) **Date of Patent:** **\*\* Feb. 18, 2020**

(54) **SINK EDGE AND FAUCET SPLASH GUARD**

(71) Applicant: **Mila Pilar Hyde**, Louisville, CO (US)

(72) Inventor: **Mila Pilar Hyde**, Louisville, CO (US)

(\*\*) Term: **15 Years**

(21) Appl. No.: **29/658,801**

(22) Filed: **Aug. 2, 2018**

(51) **LOC (12) Cl.** ..... **23-02**

(52) **U.S. Cl.**  
USPC ..... **D23/308**

(58) **Field of Classification Search**  
USPC ..... D23/284, 293.1, 303, 308, 285-292;  
D19/113; D7/698; D6/592-593;  
D32/55-57

See application file for complete search history.

(56) **References Cited**

**U.S. PATENT DOCUMENTS**

2,508,808	A *	5/1950	Warman	.....	A47J 47/20 4/658
4,041,964	A *	8/1977	Shamoon	.....	A47J 47/20 134/115 R
6,371,470	B1 *	4/2002	Ward	.....	A47J 47/20 269/13
D631,952	S *	2/2011	Marcoff	.....	D23/308
D762,828	S *	8/2016	Nolen	.....	D23/308
D787,403	S *	5/2017	Simonsen	.....	D32/57
D799,241	S *	10/2017	Sublett	.....	D6/592
9,867,506	B2 *	1/2018	Phillips	.....	A47K 1/06
D821,670	S *	6/2018	Lynch	.....	D32/57
10,301,802	B1 *	5/2019	Pinkerton	.....	E03C 1/186
2008/0034485	A1 *	2/2008	McClelland	.....	A47K 17/00 4/300
2013/0019397	A1 *	1/2013	May	.....	A47J 47/20 4/658

\* cited by examiner

*Primary Examiner* — Robert A Delehanty

(74) *Attorney, Agent, or Firm* — Will Hunziker

(57) **CLAIM**

The ornamental design for a sink edge and faucet splash guard, as shown.

**DESCRIPTION**

FIG. 1 illustrates a top perspective view of a sink edge and faucet splash guard, the portions of the drawing in broken lines is not part of the design sought to be patented.

FIG. 2 illustrates a top plan view of a sink edge and faucet splash guard, the portions of the drawing in broken lines is not part of the design sought to be patented.

FIG. 3 illustrates a bottom plan view of a sink edge and faucet splash guard, the portions of the drawing in broken lines is not part of the design sought to be patented.

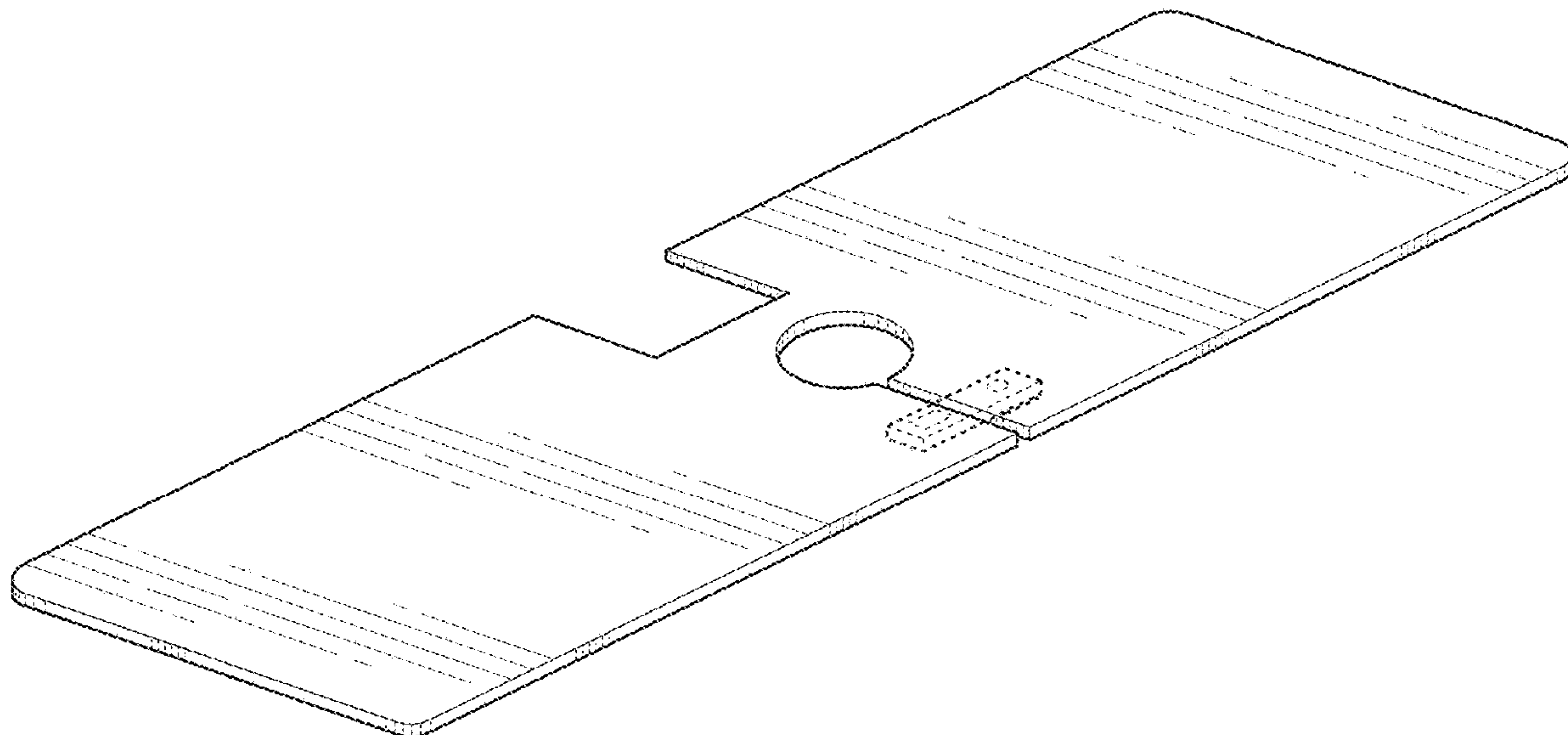
FIG. 4 illustrates a front elevation of a sink edge and faucet splash guard, the portions of the drawing in broken lines is not part of the design sought to be patented.

FIG. 5 illustrates a back elevation of a sink edge and faucet splash guard, the portions of the drawing in broken lines is not part of the design sought to be patented.

FIG. 6 illustrates a left side elevation of a sink edge and faucet splash guard, the portions of the drawing in broken lines is not part of the design sought to be patented; and, FIG. 7 illustrates a right side elevation of a sink edge and faucet splash guard, the portions of the drawing in broken lines is not part of the design sought to be patented.

The sink edge and faucet splash guard shown has a notch cut out of the front to facilitate a sink with a divider in the middle, a circular central hole to accommodate a faucet and slot for easy installation over a faucet.

**1 Claim, 3 Drawing Sheets**



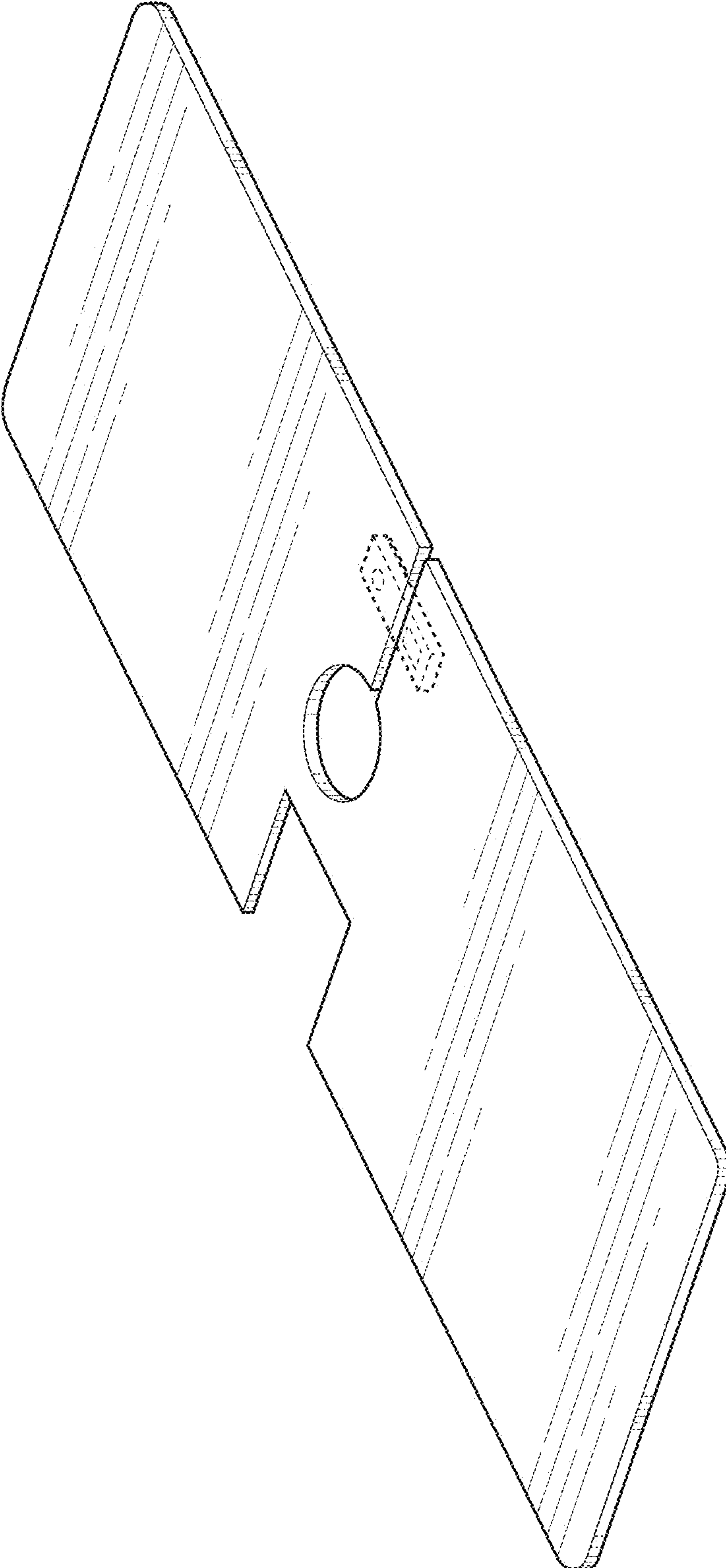


FIG. 1

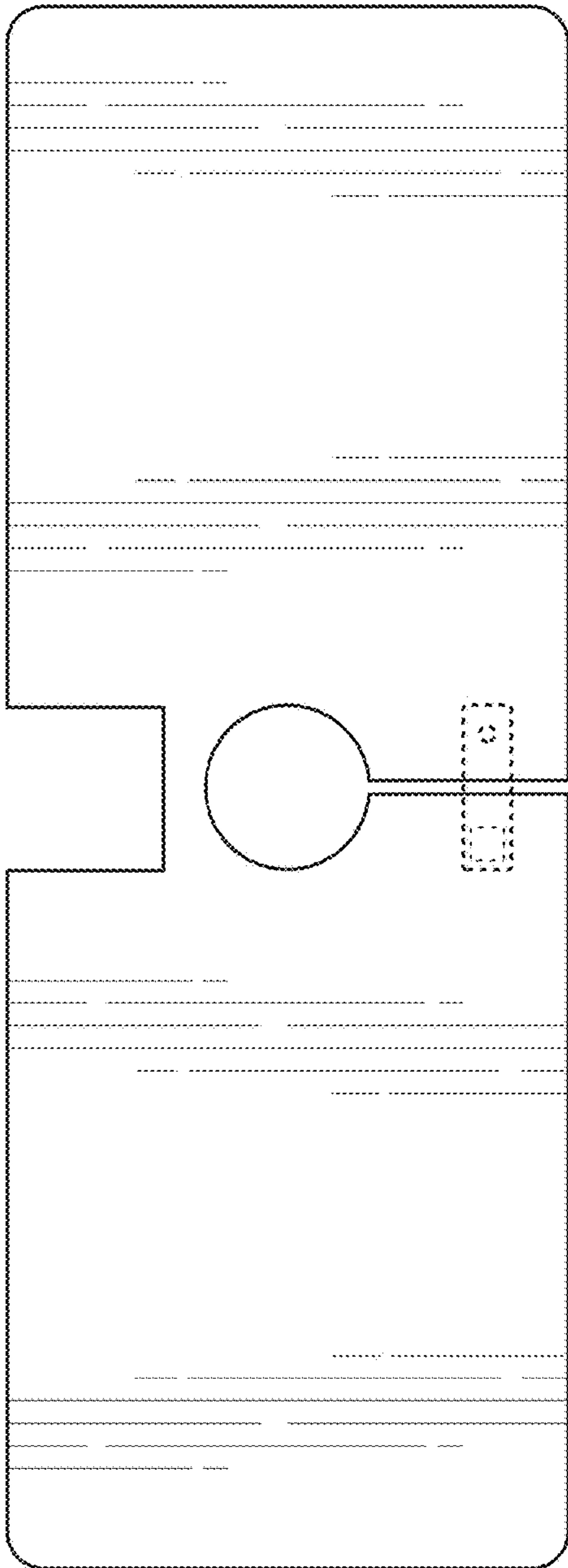


FIG. 2

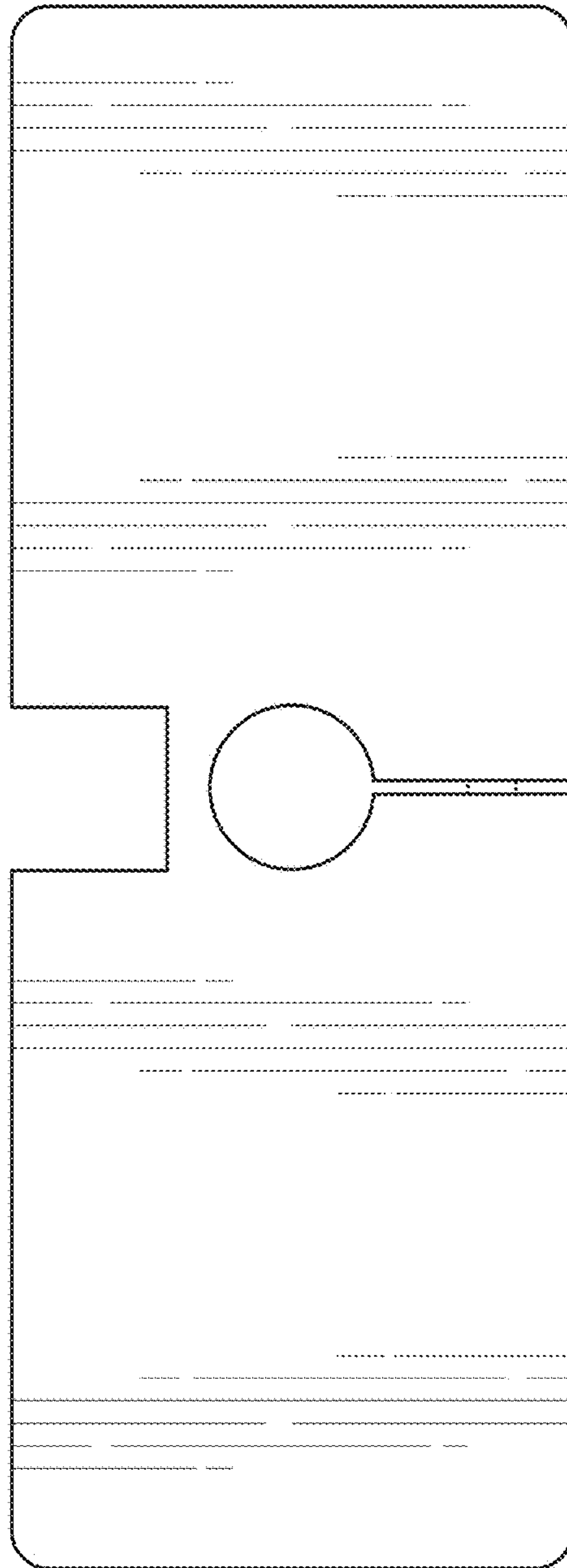


FIG. 3



FIG. 4



FIG. 5



FIG. 6

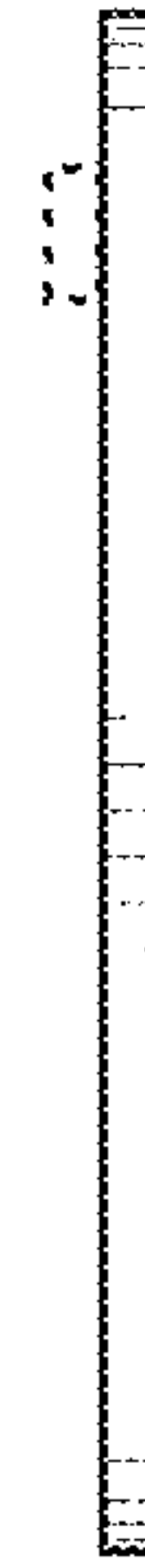


FIG. 7