



US00D875904S

(12) **United States Design Patent**
Rocandio Mazagatos

(10) **Patent No.:** **US D875,904 S**
(45) **Date of Patent:** **** Feb. 18, 2020**

- (54) **SHOWER TRAY**
- (71) Applicant: **FIORA BATH COLLECTIONS, S.L.U.**, Najera (La Rioja) (ES)
- (72) Inventor: **Manuel Rocandio Mazagatos**, Najera (ES)
- (73) Assignee: **FIORA BATH COLLECTIONS, S.L.U.**, Najera (La Rioja) (ES)
- (**) Term: **15 Years**
- (21) Appl. No.: **29/649,550**
- (22) Filed: **May 31, 2018**

D596,721 S *	7/2009	Hisey	D23/304
D612,027 S *	3/2010	Hisey	D23/304
8,677,521 B2 *	3/2014	Stimpson	A47K 3/40 4/613
D731,630 S *	6/2015	DeSocio	D23/304
D758,556 S *	6/2016	Licini	D23/304
D766,408 S *	9/2016	Licini	D23/304
D836,758 S *	12/2018	Rocandio Mazagatos ..	D23/304
2006/0191067 A1 *	8/2006	Sadler	A47K 3/40 4/654
2006/0213006 A1 *	9/2006	Rush, Jr.	A47K 3/40 4/613

* cited by examiner

Primary Examiner — Karen E Kearney
Assistant Examiner — John A Voytek
(74) *Attorney, Agent, or Firm* — Lucas & Mercanti, LLP

Related U.S. Application Data

- (62) Division of application No. 29/594,329, filed on Feb. 17, 2017, now Pat. No. Des. 836,758.
- (51) **LOC (12) Cl.** **23-02**
- (52) **U.S. Cl.**
USPC **D23/304**
- (58) **Field of Classification Search**
USPC ... D23/277-279, 280.1, 280.2, 280.3, 280.4,
D23/304-310
CPC A47K 3/006; A47K 3/02; A47K 3/022;
E05C 9/16
See application file for complete search history.

References Cited

U.S. PATENT DOCUMENTS

- D539,394 S * 3/2007 Luxton A47K 3/40
D23/283
- D541,913 S * 5/2007 Piatt D23/304

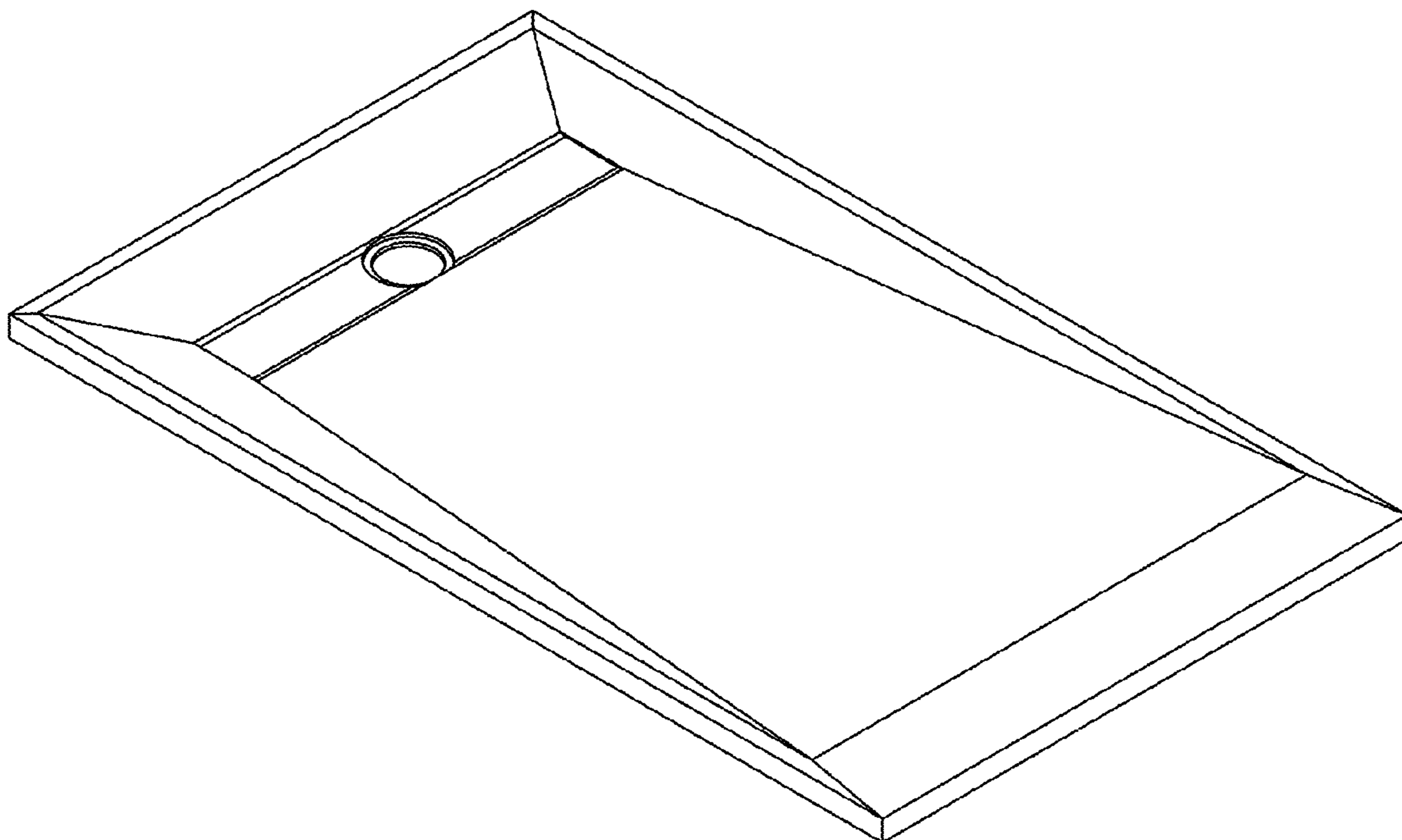
(57) **CLAIM**

The ornamental design for a shower tray, as shown and described.

DESCRIPTION

FIG. 1 is a front perspective view according to the design;
FIG. 2 is a side view thereof;
FIG. 3 is a top view thereof;
FIG. 4 is another side view thereof;
FIG. 5 is a side view opposite to the view of FIG. 2;
FIG. 6 is a bottom view thereof; and,
FIG. 7 is a side view opposite to the view of FIG. 4.

1 Claim, 7 Drawing Sheets



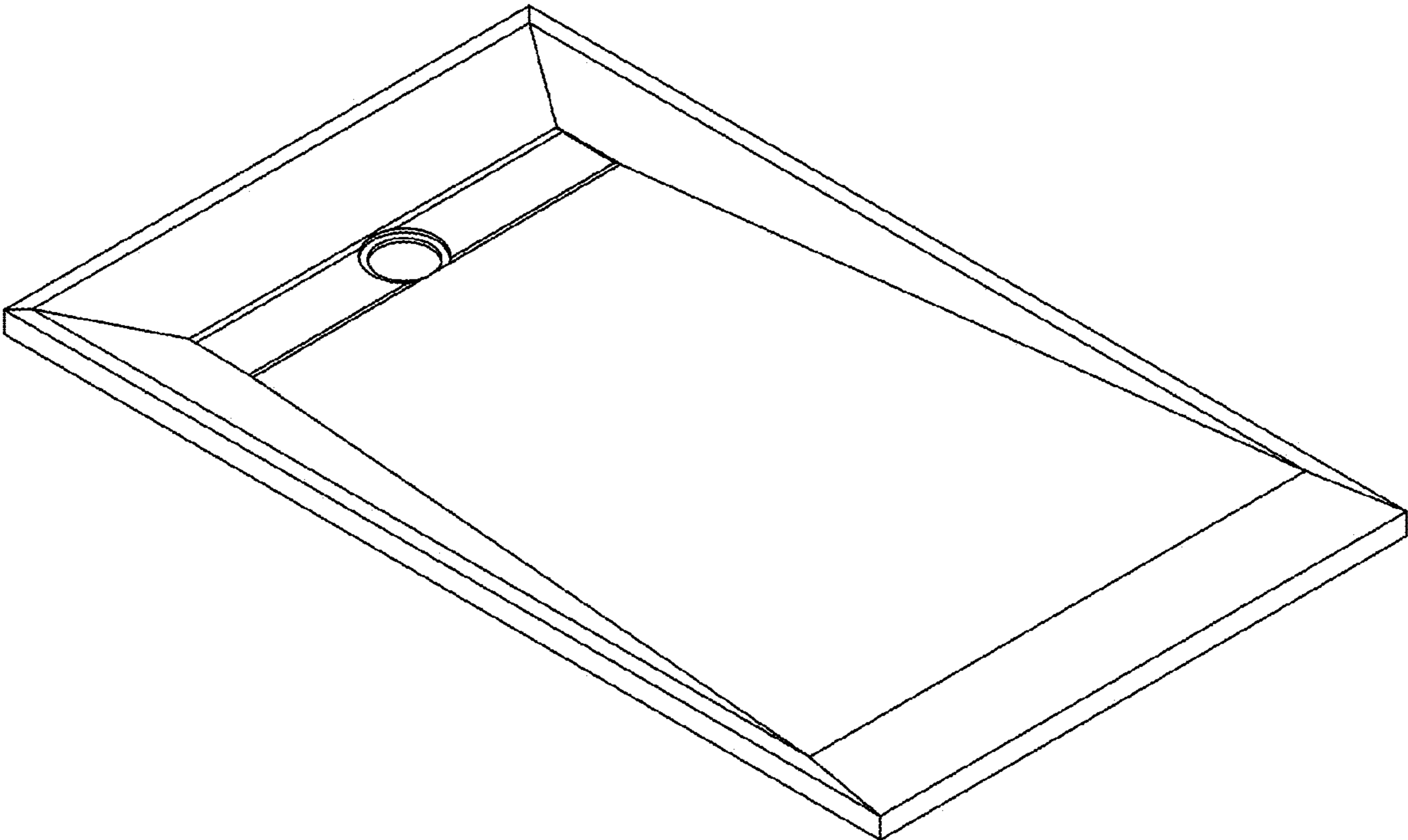


FIG. 1



FIG. 2

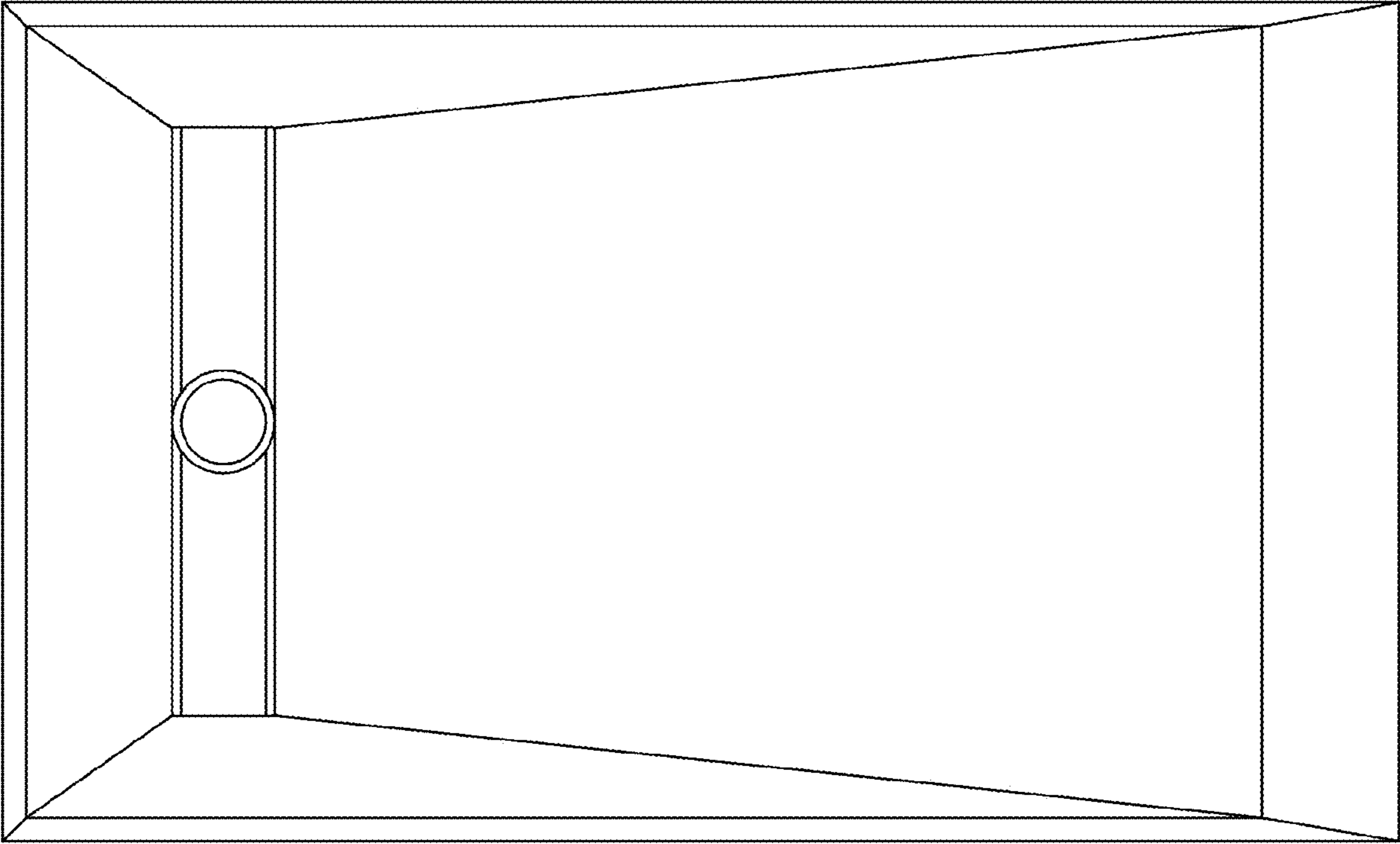


FIG. 3



FIG. 4



FIG. 5

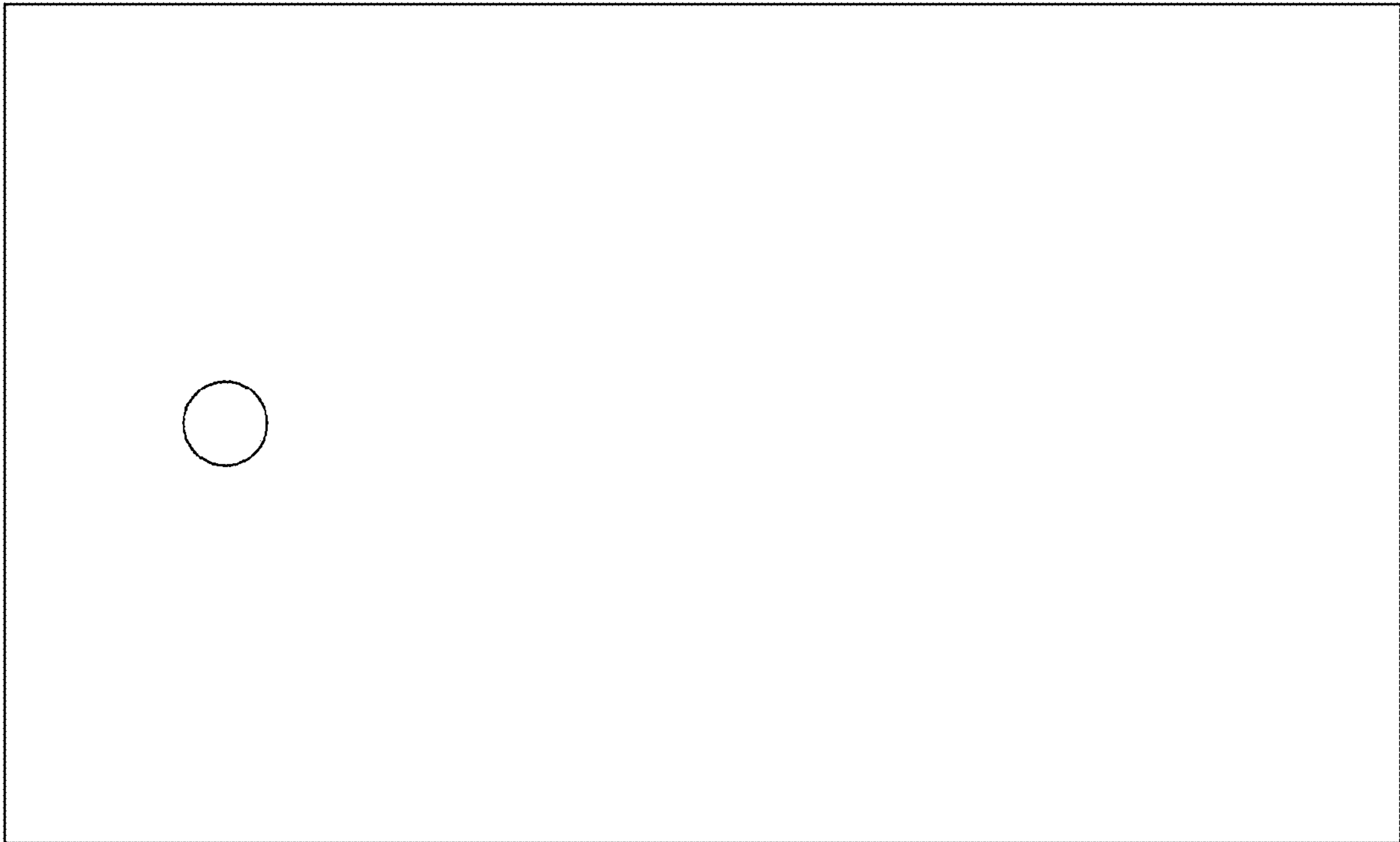


FIG. 6



FIG. 7