



US00D875902S

(12) **United States Design Patent** (10) **Patent No.:** **US D875,902 S**
LeTourneau (45) **Date of Patent:** **** Feb. 18, 2020**

(54) **LAVATORY**

OTHER PUBLICATIONS

(71) Applicant: **Kohler Co.**, Kohler, WI (US)

Sinks (pp. 255-311) of the Kohler Fixtures Catalog.

(72) Inventor: **Alexander V. LeTourneau**, Sheboygan, WI (US)

* cited by examiner

(73) Assignee: **KOHLER CO.**, Kohler, WI (US)

Primary Examiner — Robert A Delehanty

(74) *Attorney, Agent, or Firm* — Foley & Lardner LLP

(**) Term: **15 Years**

(57) **CLAIM**

I claim the ornamental design for a lavatory, as shown and described.

(21) Appl. No.: **29/650,049**

DESCRIPTION

(22) Filed: **Jun. 4, 2018**

(51) **LOC (12) Cl.** **23-02**

(52) **U.S. Cl.**
USPC **D23/284**

(58) **Field of Classification Search**
USPC D23/284, 293.1, 308, 285–292
See application file for complete search history.

FIG. 1 is a perspective view of an embodiment of the claimed design;

FIG. 2 is a top view of the claimed design shown in FIG. 1; FIG. 3 is a bottom view of the claimed design shown in FIG. 1;

FIG. 4 is a front view of the claimed design shown in FIG. 1;

FIG. 5 is a side view of the claimed design shown in FIG. 1;

FIG. 6 is a cross-sectional view of the claimed design shown in FIG. 1 taken along line 6-6 in FIG. 2; and,

FIG. 7 is a cross-sectional view of the claimed design shown in FIG. 1 taken along line 7-7 in FIG. 2.

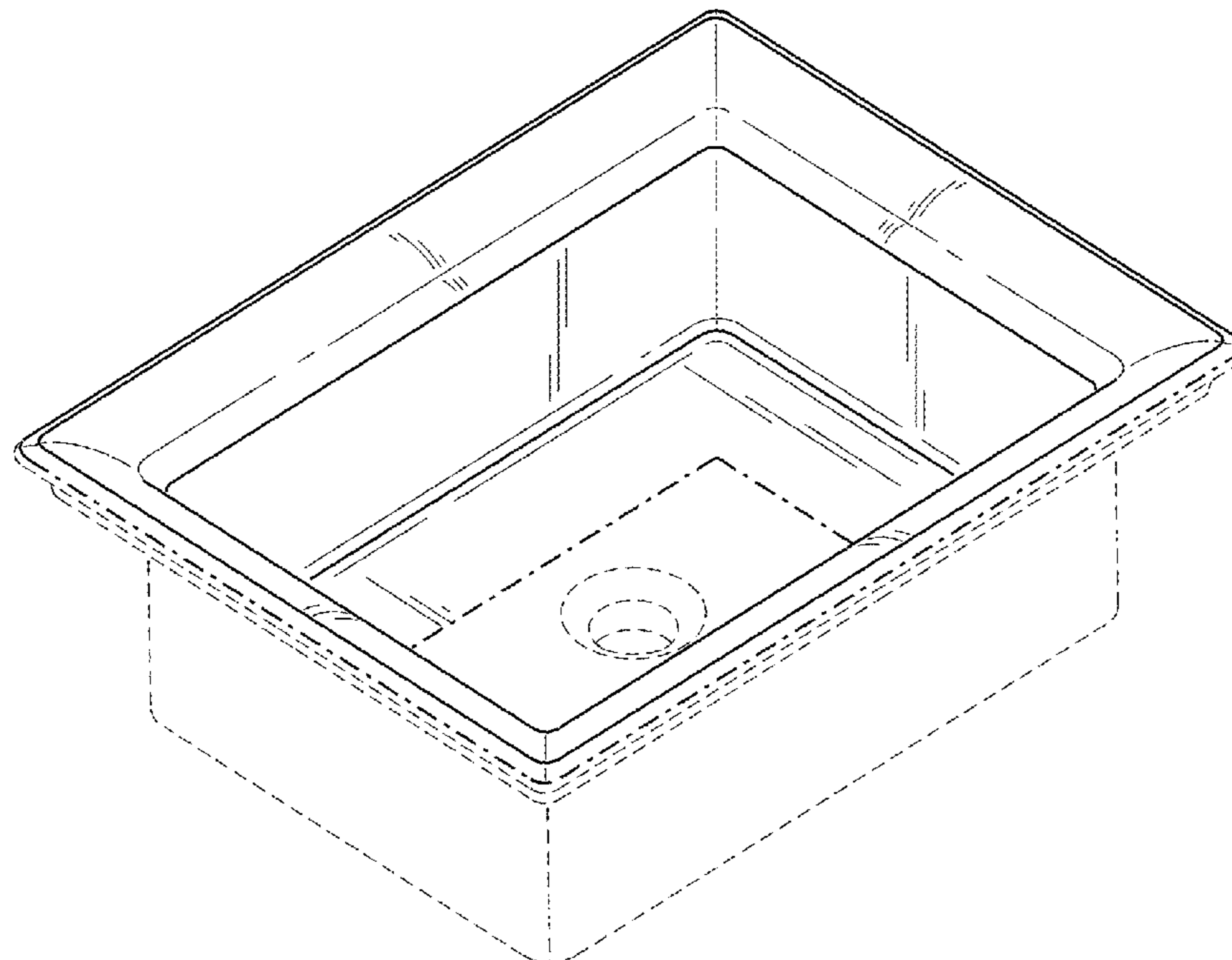
The ornamental design that is claimed is shown in the drawings as solid lines and surfaces having surface shading. The broken lines in the drawings are for illustrative purposes only and form no part of the claimed design. For example, broken lines formed by equal length dashes show unclaimed portions of the design. Broken lines formed of unequal length dashes (i.e., dash-dot) show boundaries between either claimed and unclaimed portions of the design or between unclaimed and unclaimed portions of the design.

(56) **References Cited**

U.S. PATENT DOCUMENTS

D412,204 S	7/1999	Slothower et al.	
D416,991 S	11/1999	Caplow	
D482,764 S	11/2003	Genslak et al.	
D504,496 S	4/2005	Bayer	
D507,042 S *	7/2005	Sutopo	D23/293.1
D537,921 S	3/2007	Kirar	
D537,924 S *	3/2007	Bates	D23/293.1
D538,411 S	3/2007	Bates	
D538,900 S	3/2007	Bates et al.	
D722,143 S	2/2015	Clarke et al.	
D752,726 S	3/2016	Clarke et al.	
D767,741 S	9/2016	Clarke et al.	
D779,643 S	2/2017	Stauffer et al.	
D806,840 S	1/2018	Stevenson et al.	

1 Claim, 4 Drawing Sheets



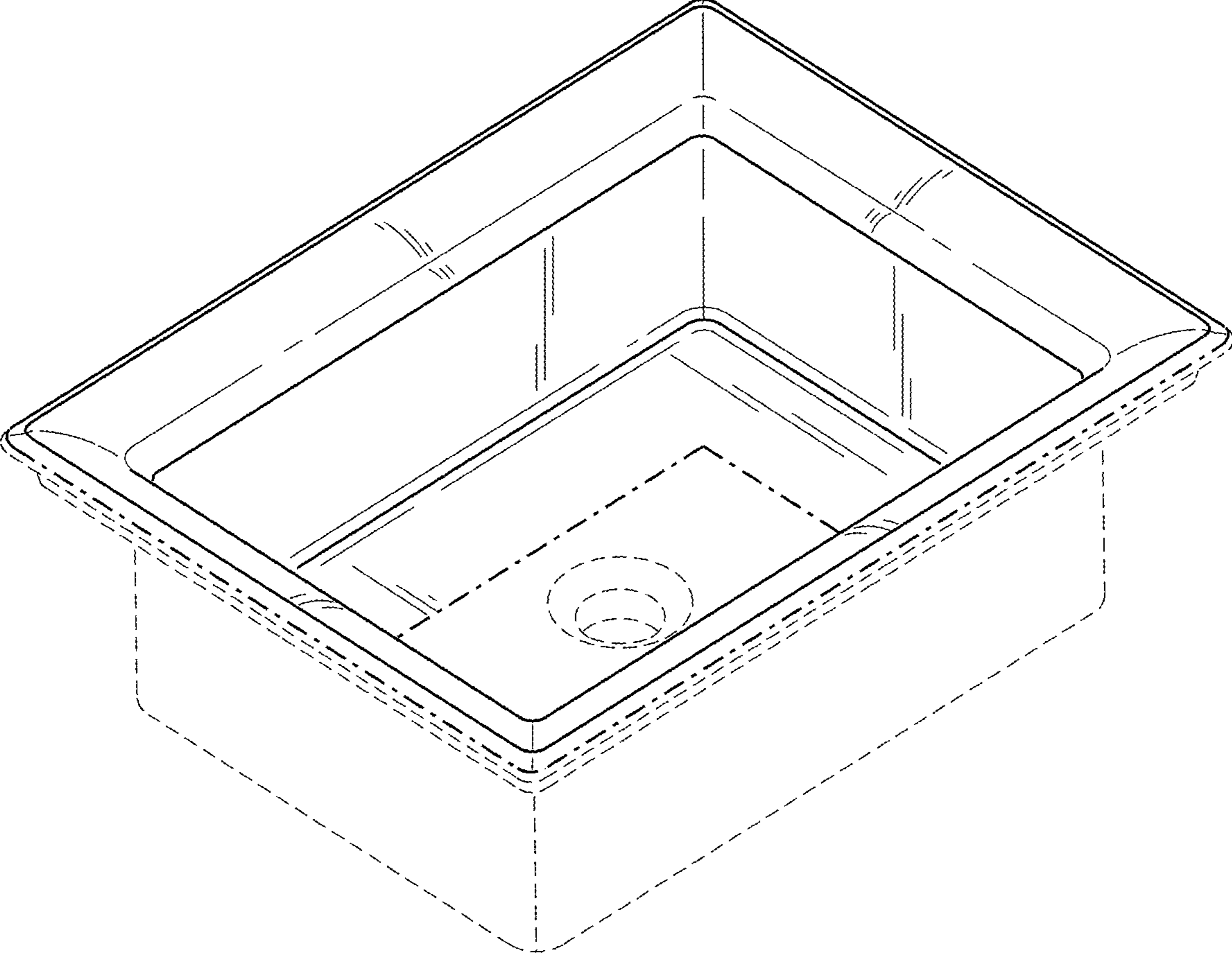


FIG. 1

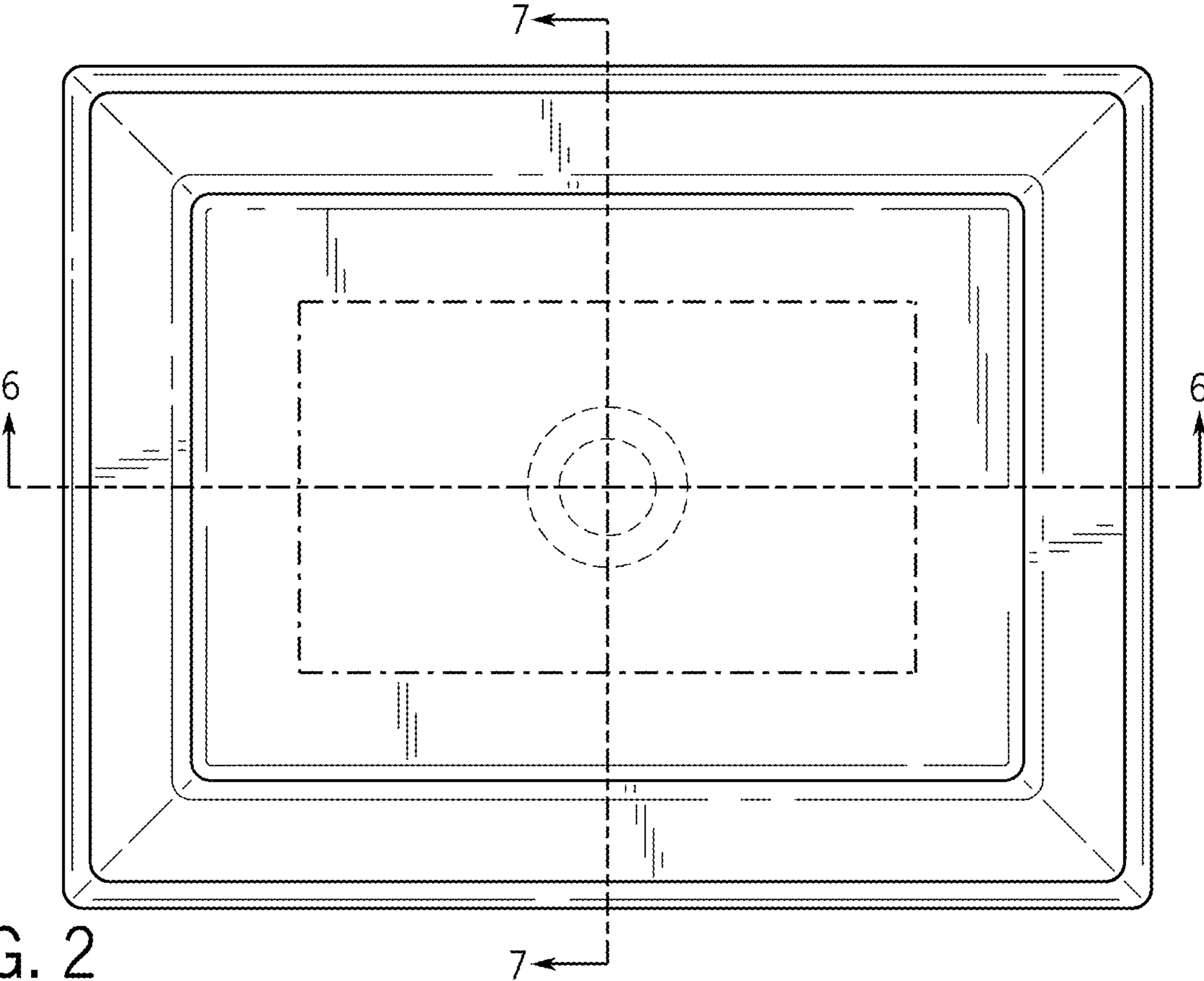


FIG. 2

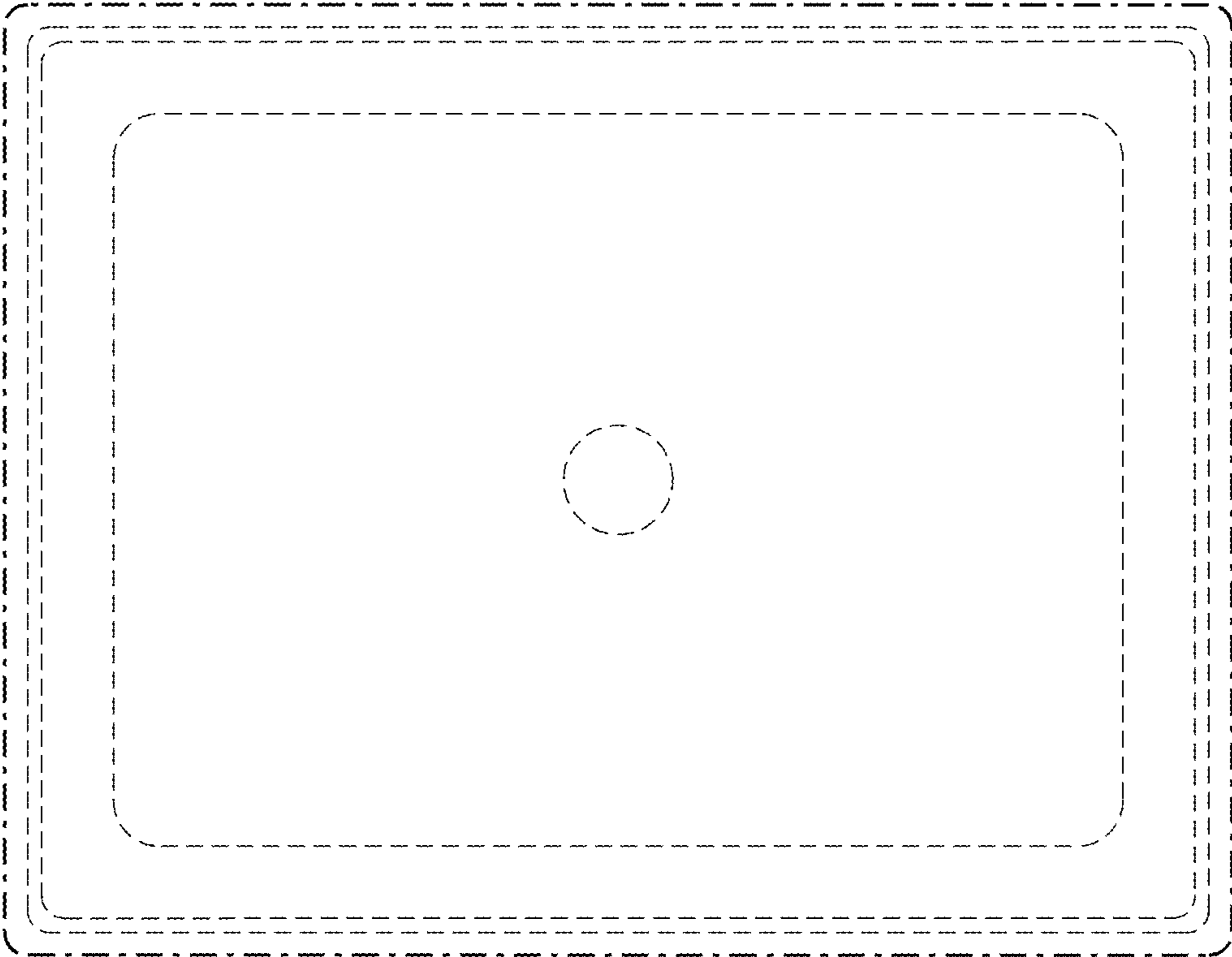


FIG. 3

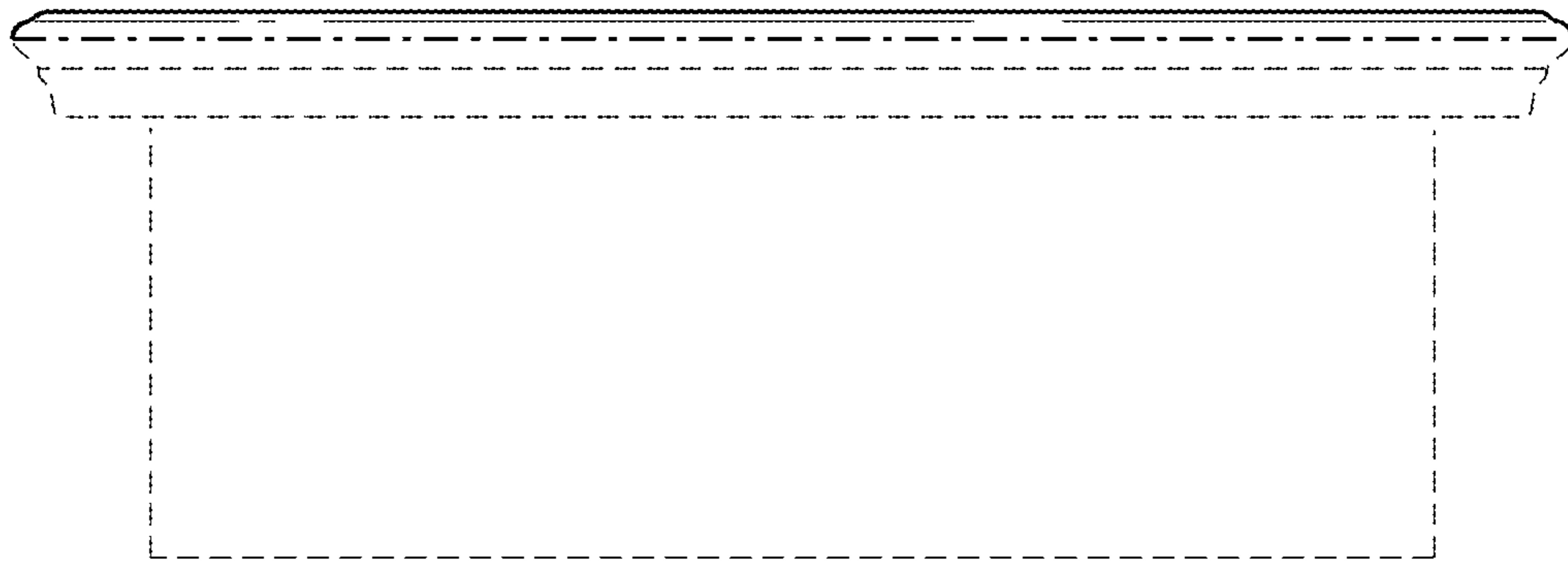


FIG. 4

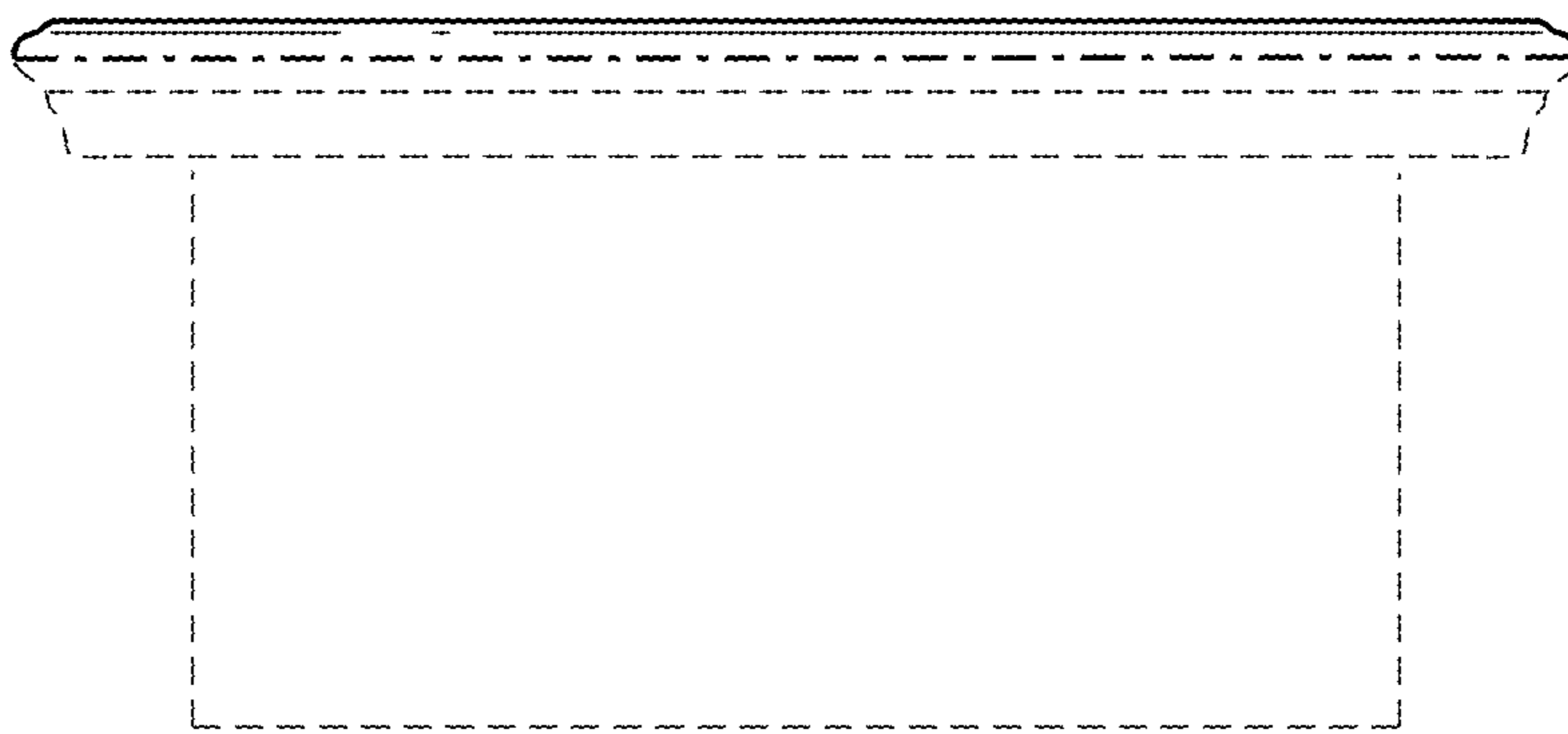


FIG. 5

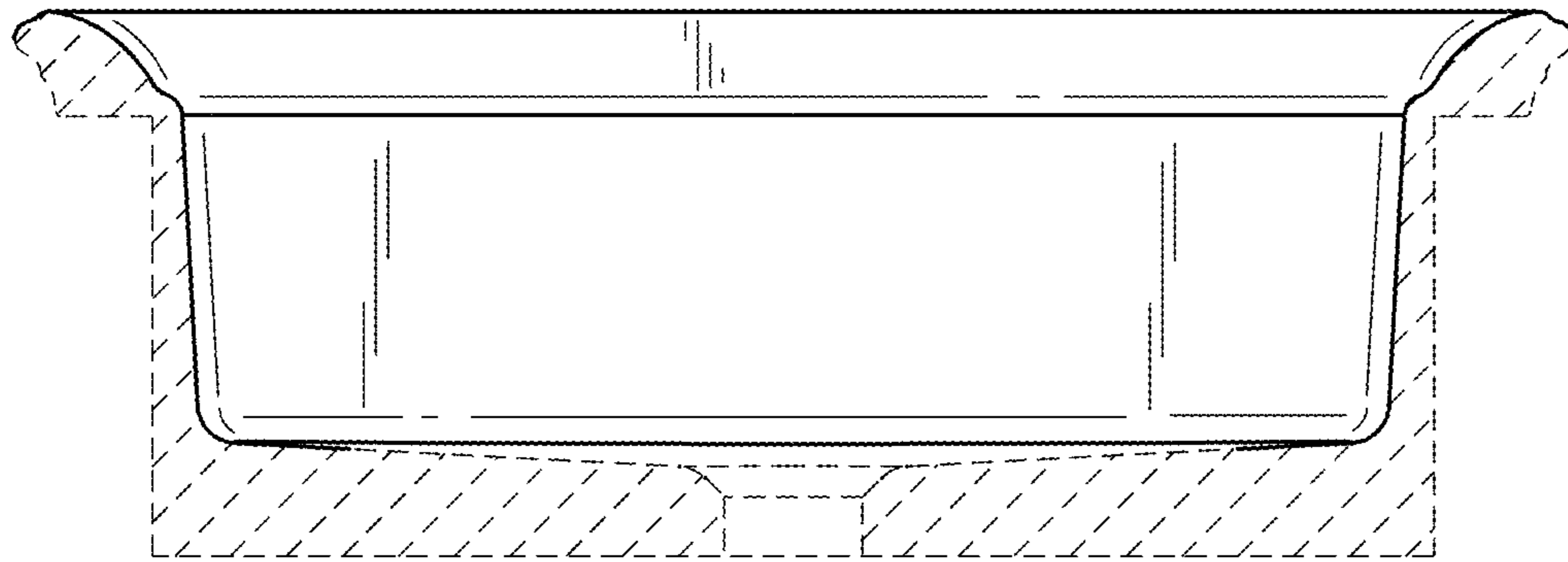


FIG. 6

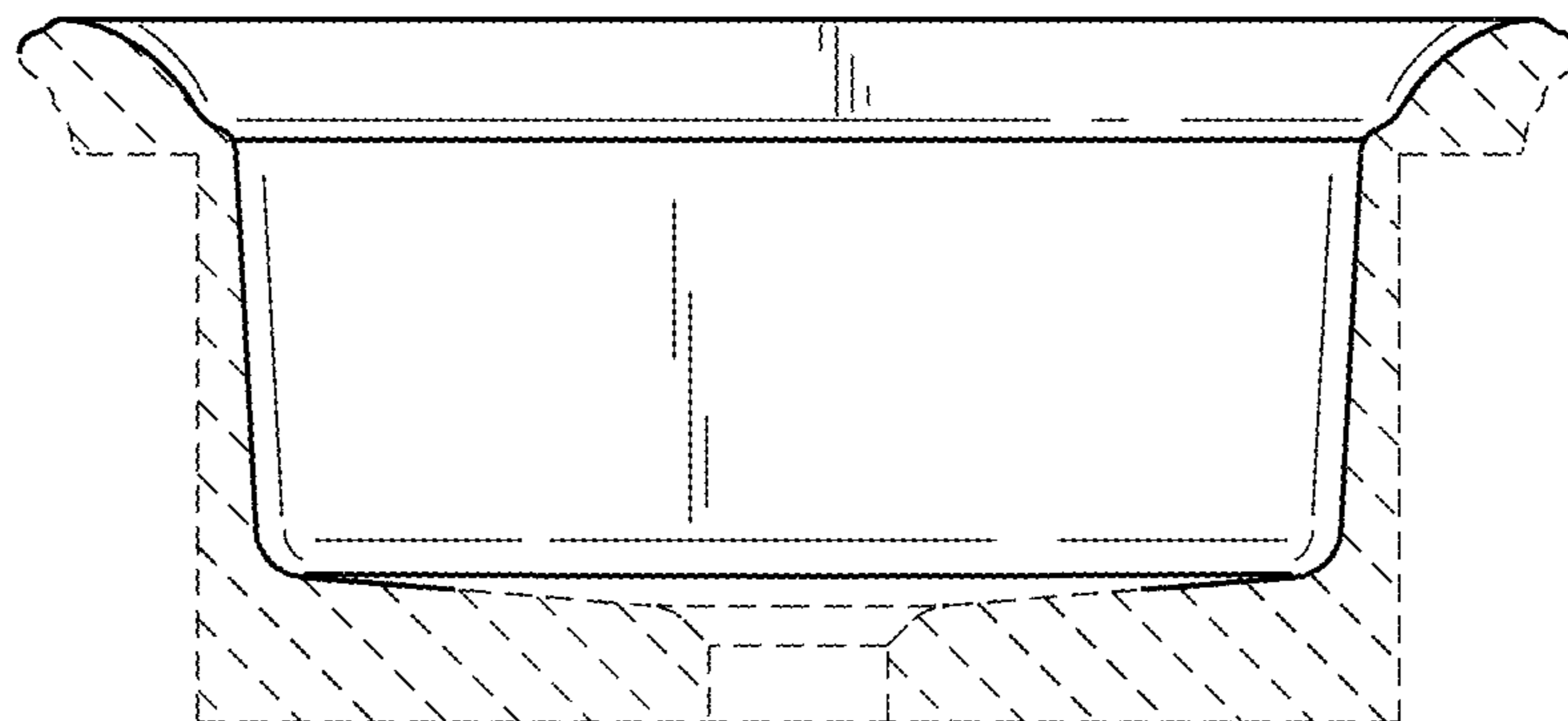


FIG. 7