



US00D875901S

(12) **United States Design Patent** (10) **Patent No.:** **US D875,901 S**  
**LeTourneau** (45) **Date of Patent:** **\*\* Feb. 18, 2020**

- (54) **LAVATORY**
- (71) Applicant: **Kohler Co.**, Kohler, WI (US)
- (72) Inventor: **Alexander V. LeTourneau**, Sheboygan, WI (US)
- (73) Assignee: **KOHLER CO.**, Kohler, WI (US)
- (\*\*) Term: **15 Years**
- (21) Appl. No.: **29/650,048**
- (22) Filed: **Jun. 4, 2018**
- (51) **LOC (12) Cl.** ..... **23-02**
- (52) **U.S. Cl.**  
USPC ..... **D23/284**
- (58) **Field of Classification Search**  
USPC ..... D23/284, 293.1, 308, 285-292  
See application file for complete search history.

- D588,247 S 3/2009 Hanna et al.
- D601,677 S 10/2009 Hanna et al.
- D635,229 S 3/2011 Dufour
- (Continued)

**OTHER PUBLICATIONS**

Sinks (pp. 255-311) of the Kohler Fixtures Catalog.

*Primary Examiner* — Robert A Delehanty

(74) *Attorney, Agent, or Firm* — Foley & Lardner LLP

(57) **CLAIM**

I claim the ornamental design for a lavatory, as shown and described.

**DESCRIPTION**

FIG. 1 is a perspective view of an embodiment of the claimed design;  
 FIG. 2 is a top view of the claimed design shown in FIG. 1;  
 FIG. 3 is a bottom view of the claimed design shown in FIG. 1;  
 FIG. 4 is a front view of the claimed design shown in FIG. 1;  
 FIG. 5 is a side view of the claimed design shown in FIG. 1;  
 FIG. 6 is a cross-sectional view of the claimed design shown in FIG. 1 taken along line 6-6 in FIG. 2; and,  
 FIG. 7 is a cross-sectional view of the claimed design shown in FIG. 1 taken along line 7-7 in FIG. 2.

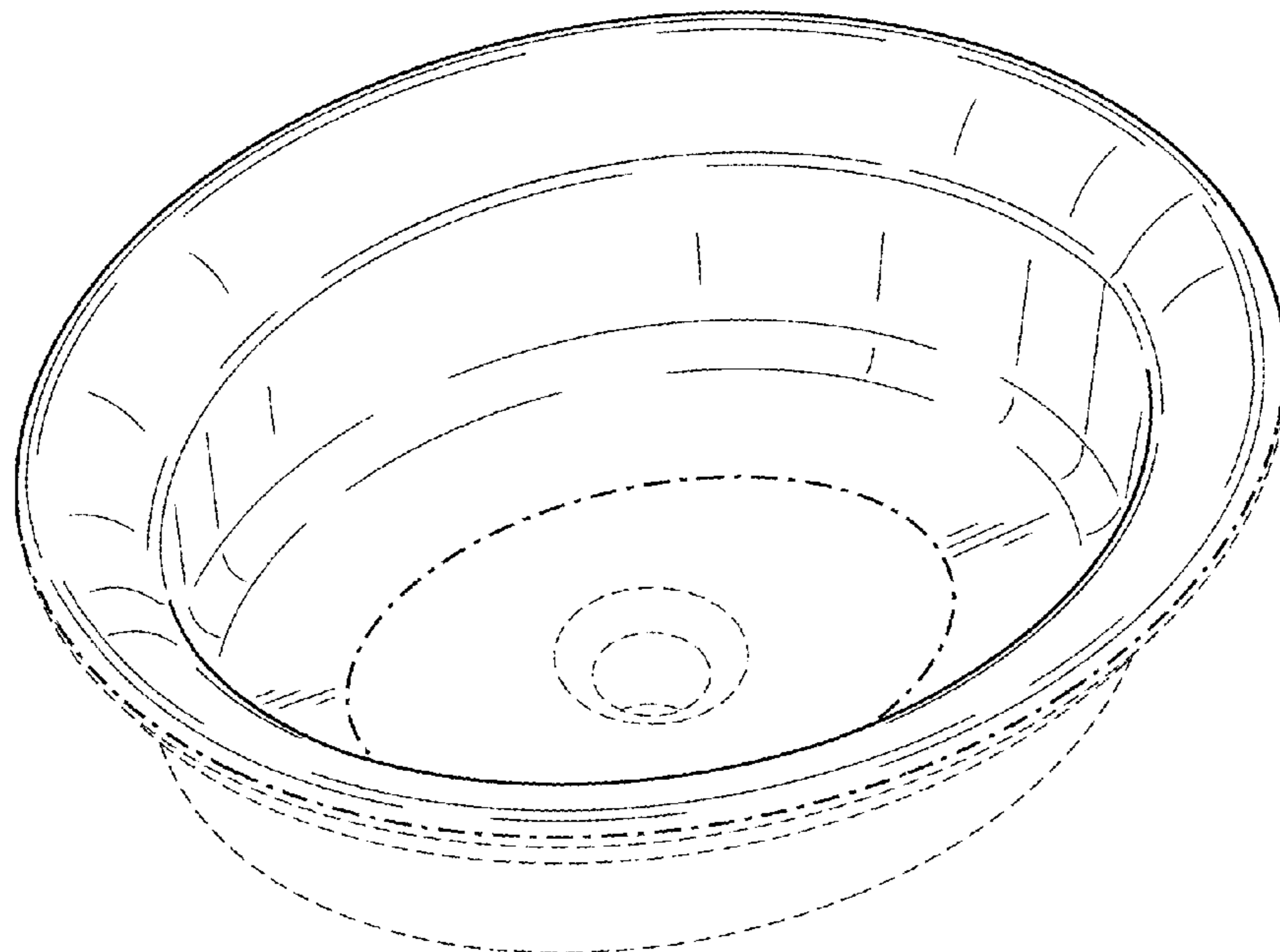
The ornamental design that is claimed is shown in the drawings as solid lines and surfaces having surface shading. The broken lines in the drawings are for illustrative purposes only and form no part of the claimed design. For example, broken lines formed by equal length dashes show unclaimed portions of the design. Broken lines formed of unequal length dashes (i.e., dash-dot) show boundaries between either claimed and unclaimed portions of the design or between unclaimed and unclaimed portions of the design.

(56) **References Cited**

**U.S. PATENT DOCUMENTS**

- D356,148 S 3/1995 Kohler, Jr. et al.
- D398,967 S 9/1998 Kohler, Jr. et al.
- D400,237 S 10/1998 Millard et al.
- D422,062 S 3/2000 Formgren
- D430,274 S 8/2000 Marshall
- D433,742 S 11/2000 Millard et al.
- D436,656 S 1/2001 McKeone
- D443,049 S 5/2001 Kuo
- D462,424 S 9/2002 McKeone
- D498,292 S 11/2004 Piatt
- D500,128 S 12/2004 Bates
- D507,042 S 7/2005 Sutopo
- D530,800 S 10/2006 Hisey
- D531,287 S 10/2006 Bates
- D560,775 S 1/2008 Hanna
- D560,776 S 1/2008 Hanna
- D560,778 S 1/2008 Paterson

**1 Claim, 4 Drawing Sheets**



(56)

**References Cited**

U.S. PATENT DOCUMENTS

D652,492 S *	1/2012	Slothower .....	D23/293.1
D656,593 S	3/2012	Stauffer	
D663,017 S	7/2012	Slothower et al.	
D724,710 S	3/2015	Clarke et al.	
D757,235 S	5/2016	Stauffer et al.	
D771,781 S	11/2016	Stauffer et al.	
D779,643 S *	2/2017	Stauffer .....	D23/284

\* cited by examiner

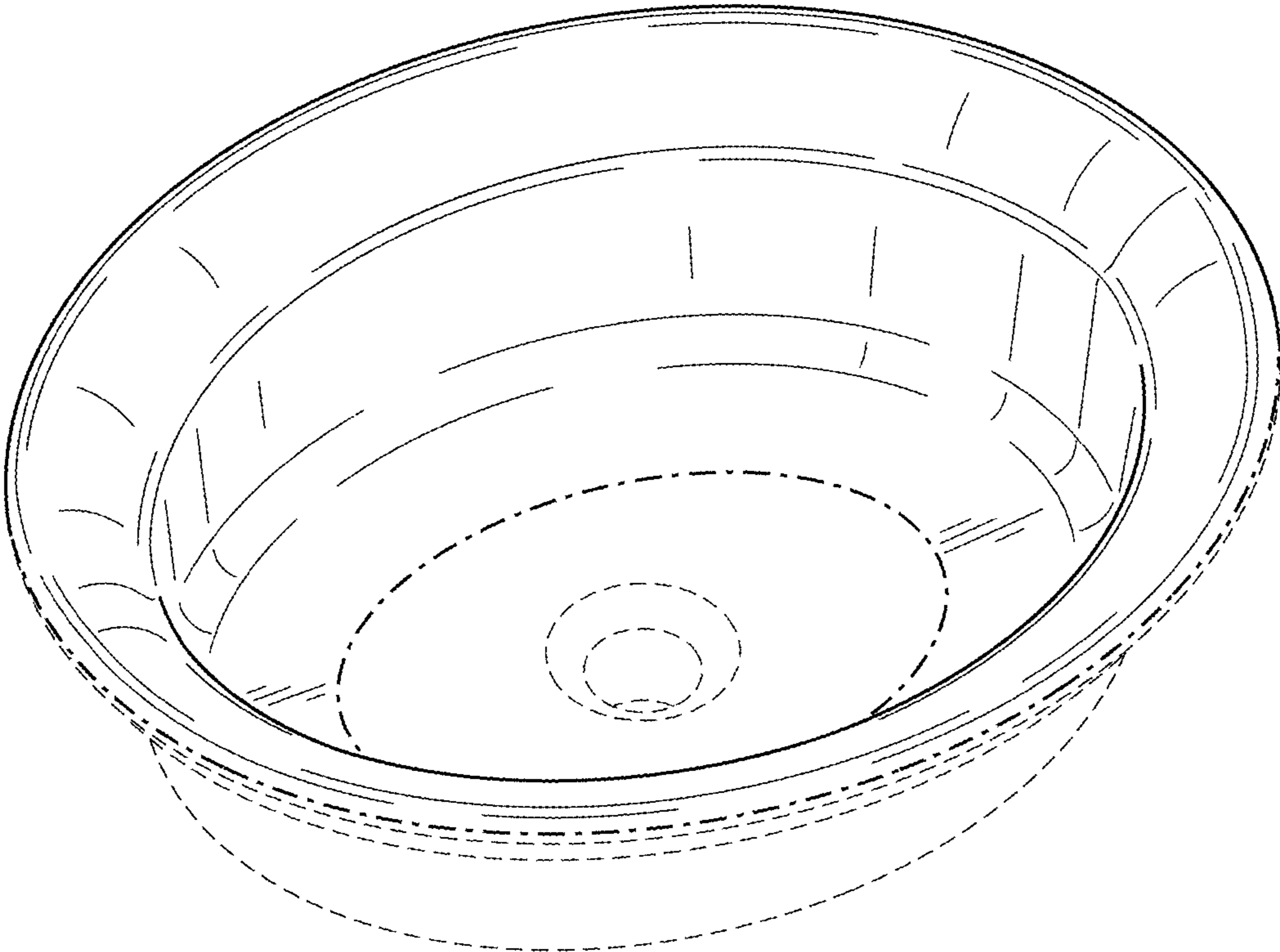
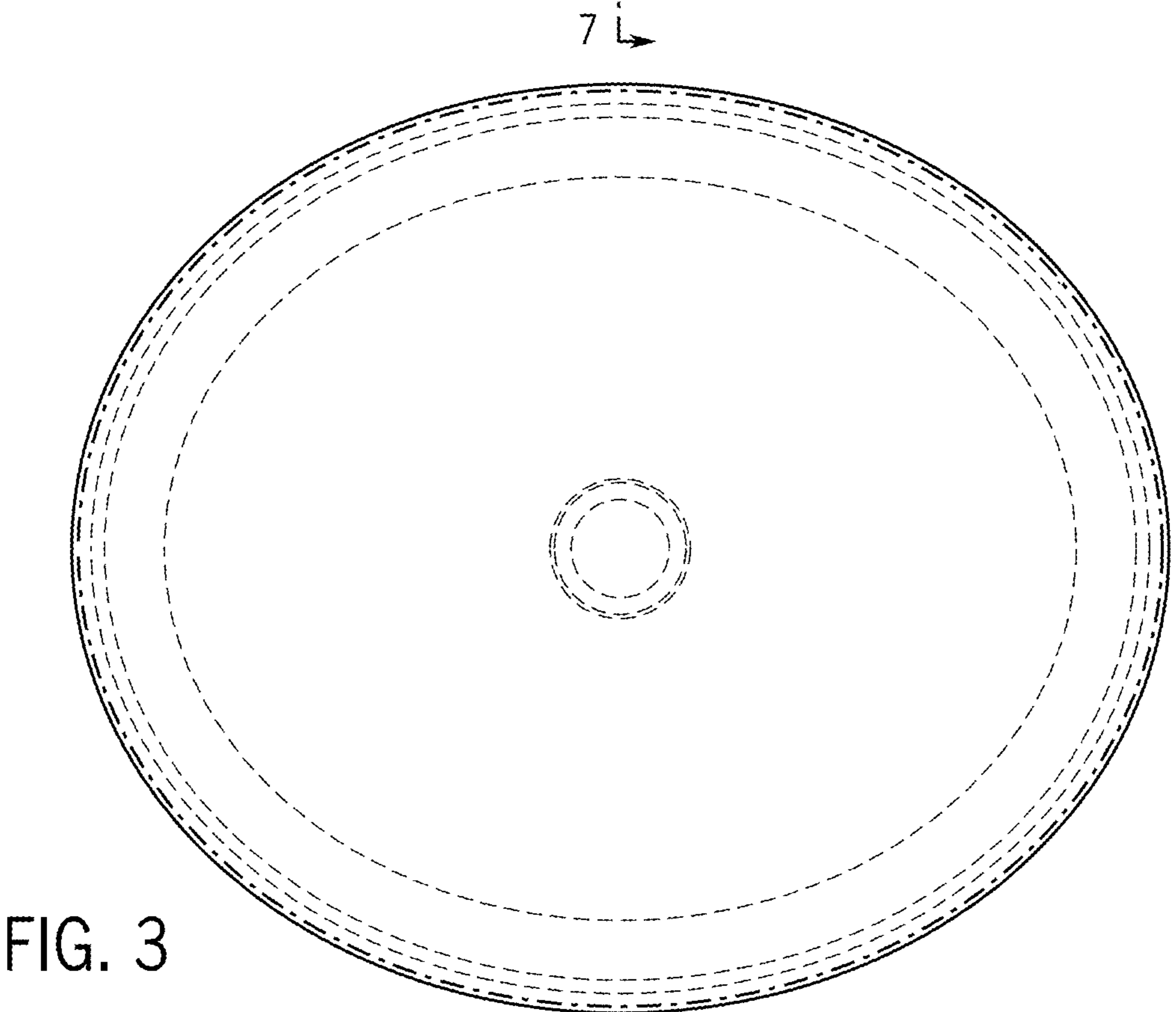
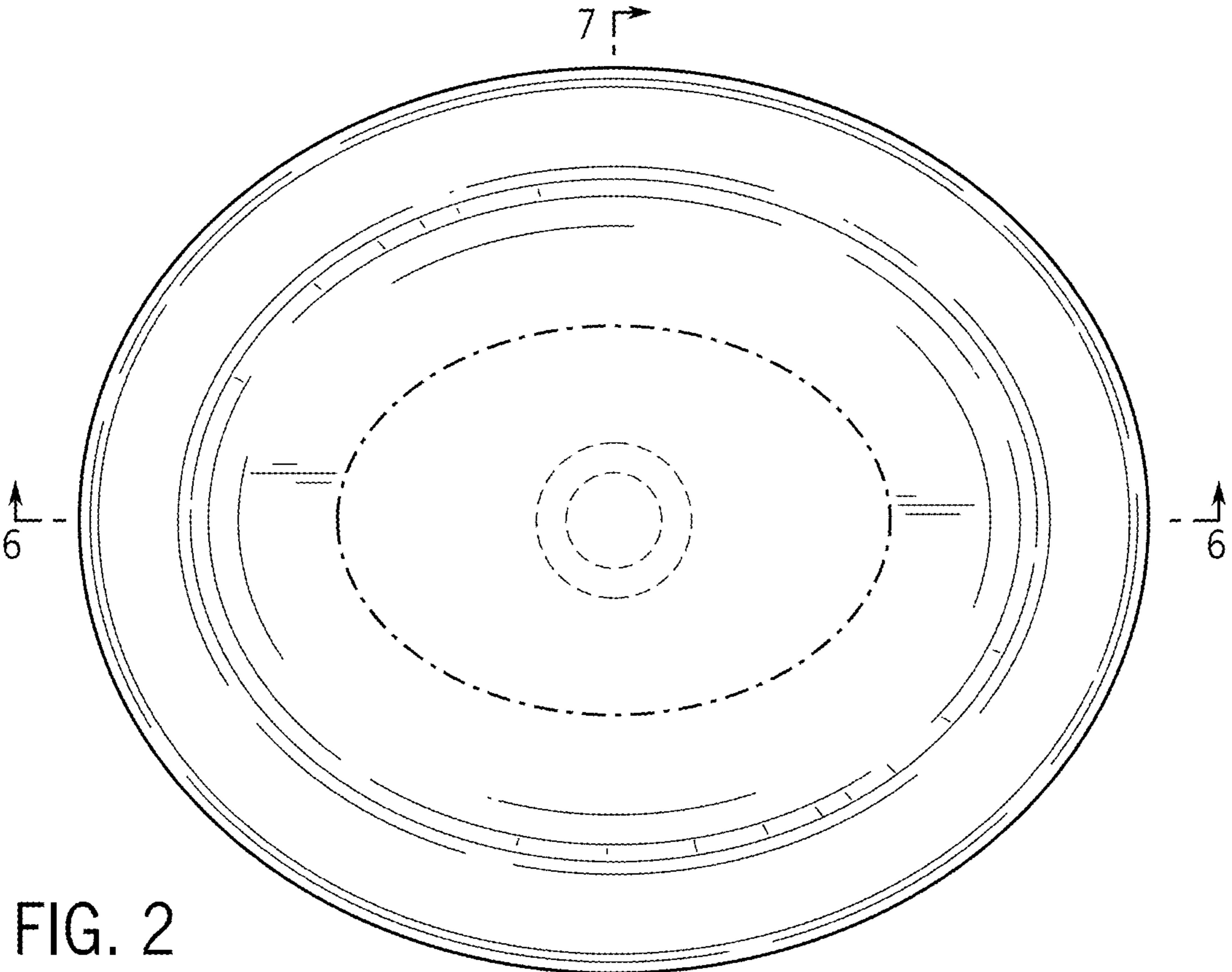


FIG. 1



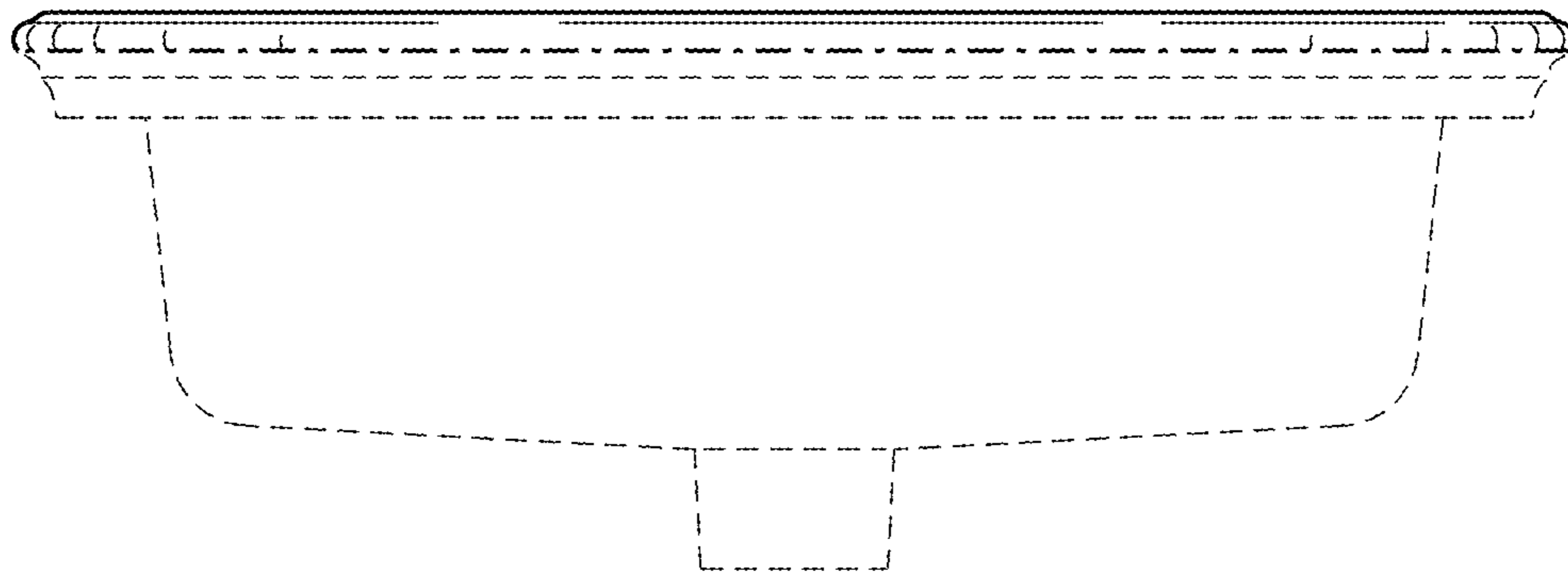


FIG. 4

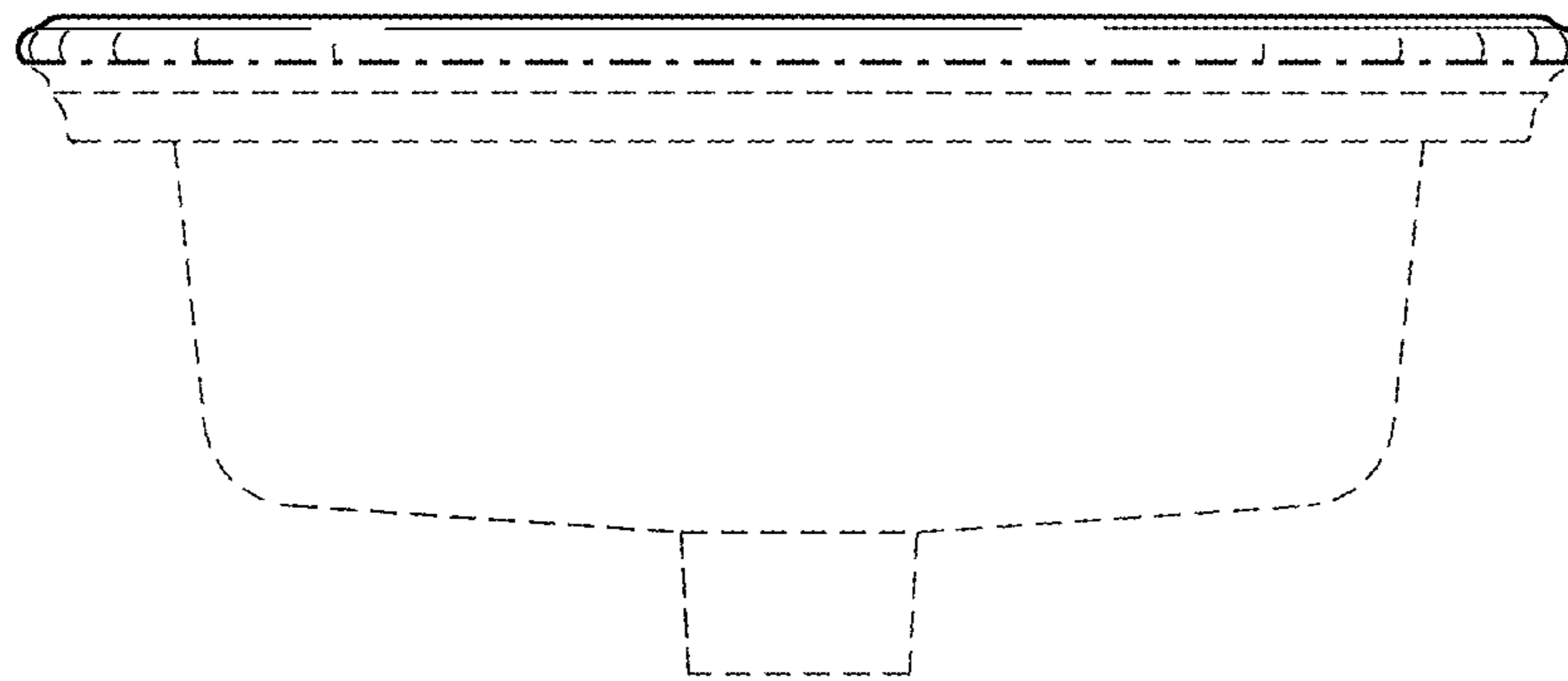


FIG. 5

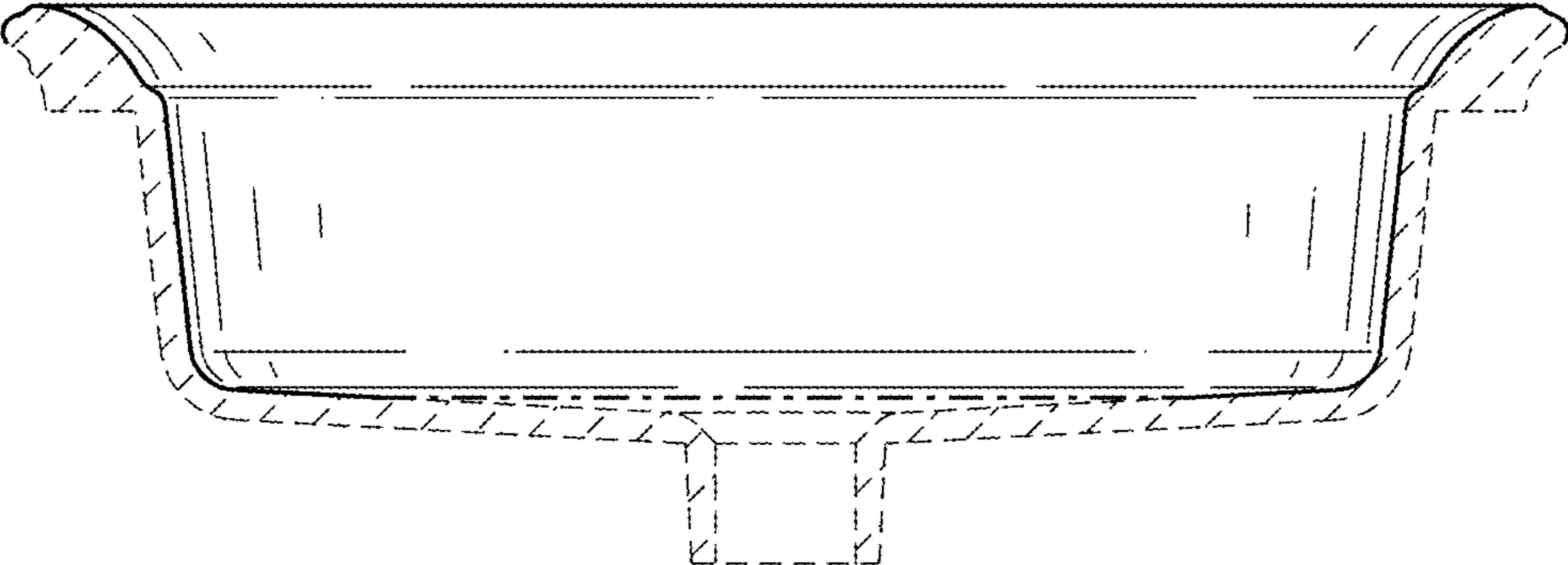


FIG. 6

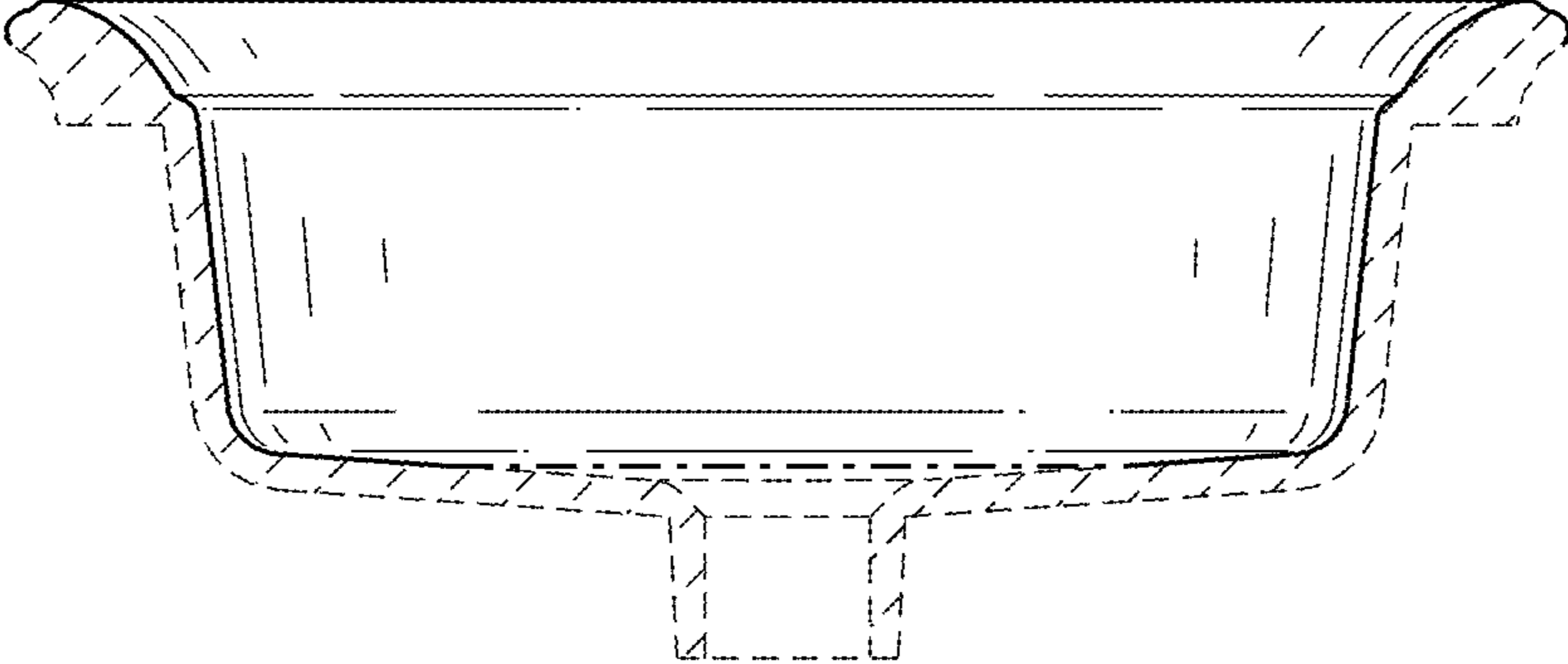


FIG. 7