

US00D875900S

(12) **United States Design Patent**
Yoshida et al.

(10) **Patent No.:** **US D875,900 S**

(45) **Date of Patent:** **** Feb. 18, 2020**

(54) **SEAL**

(71) Applicant: **NOK Corporation**, Tokyo (JP)

(72) Inventors: **Yusuke Yoshida**, Kitaibaraki (JP); **Koji Watanabe**, Kitaibaraki (JP)

(73) Assignee: **NOK CORPORATION**, Tokyo (JP)

(**) Term: **15 Years**

(21) Appl. No.: **29/601,295**

(22) Filed: **Apr. 20, 2017**

(30) **Foreign Application Priority Data**

Oct. 21, 2016 (JP) 2016-022951

(51) **LOC (12) Cl.** **23-01**

(52) **U.S. Cl.**
USPC **D23/269**

(58) **Field of Classification Search**

USPC D23/259, 269, 262; 277/311, 351-354, 277/357-358, 433-434, 458, 604, 305, 277/314, 316, 361-364, 374, 382, 277/393-395, 397, 399, 416-420, 465, 277/479, 487, 504, 512, 521, 543-549; 285/105, 110, 337, 339, 368, 374
CPC F16J 15/02; F16J 15/06; F16J 15/08; F16J 15/18; F16J 15/20; F16J 15/24; F16J 15/106; F16J 15/164; F16J 15/441; F16J 15/025; F16J 15/10; F16J 15/061; F16J 15/002; F16J 15/102; F16J 15/104; F16L 15/121; F16L 21/007; F16L 21/08; F16L 21/035; F16L 21/04; F16L 9/045; F16L 37/0845; F16K 5/0207; F16K 5/0271; F16K 5/0457; F16K 5/0478; F16K 5/0689

See application file for complete search history.

(56) **References Cited**

U.S. PATENT DOCUMENTS

D35,534 S * 12/1901 Conlin 277/608
2,954,264 A * 9/1960 Tisch F16J 15/32
277/630
D368,516 S * 4/1996 Matsumura D23/269
D447,223 S * 8/2001 Mattsson D23/269
D515,675 S * 2/2006 Tremoulet, Jr. D23/269
D527,445 S * 8/2006 Wortmann D23/269
D614,271 S * 4/2010 Weston D23/269
D631,948 S * 2/2011 Yoshida D23/269
D638,522 S * 5/2011 Yoshida D23/269
D638,523 S * 5/2011 Yoshida D23/269
D655,401 S * 3/2012 Muramatsu D23/269
D655,797 S * 3/2012 Muramatsu D23/269

(Continued)

Primary Examiner — Amy C Wierenga

(74) *Attorney, Agent, or Firm* — Pearne & Gordon LLP

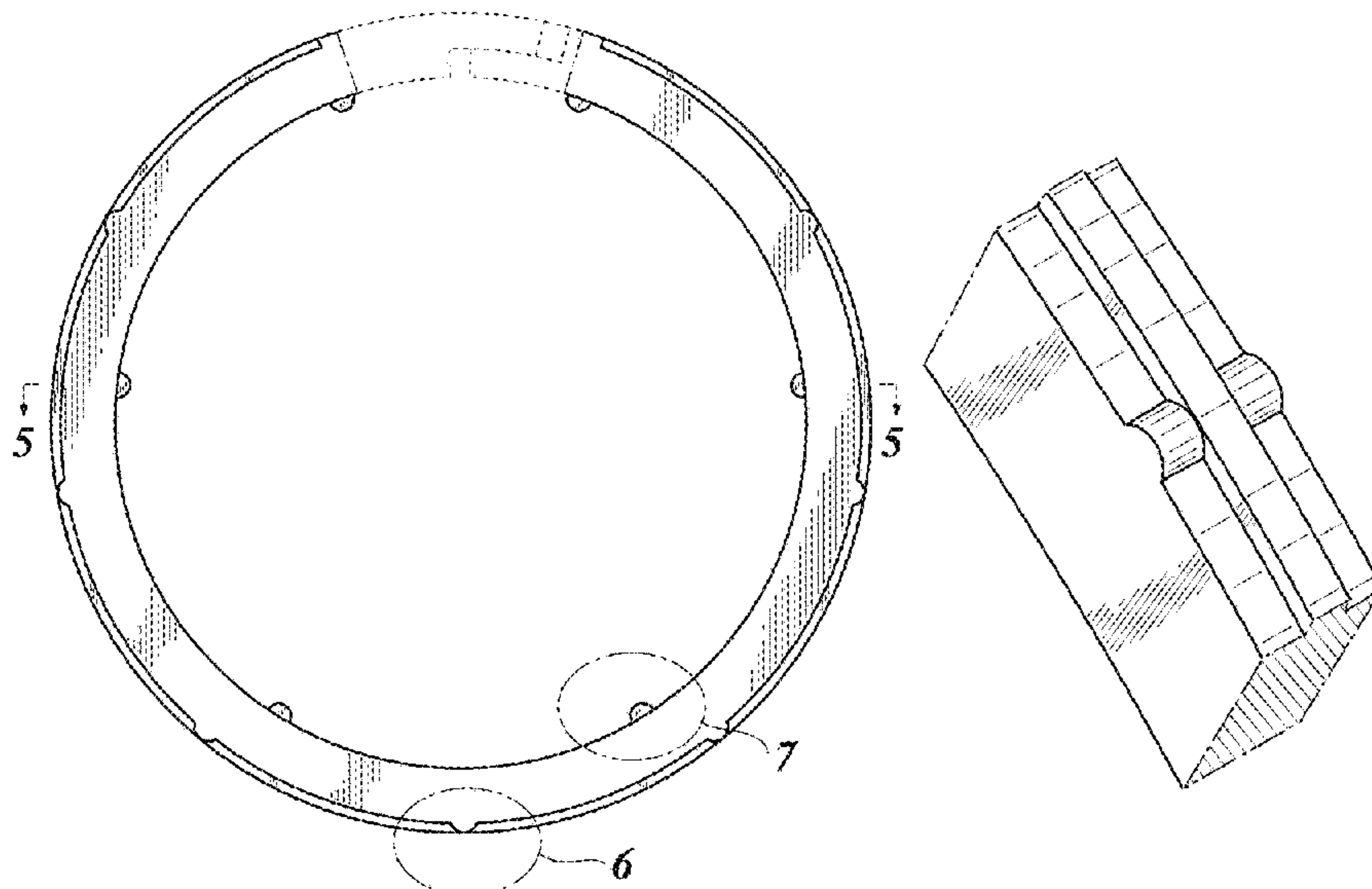
(57) **CLAIM**

The ornamental design for a seal, as shown and described.

DESCRIPTION

FIG. 1 is a front view of a seal, the rear view being a mirror image of the front view;
FIG. 2 is a right side view of the seal of FIG. 1, the other side view being a mirror image of FIG. 2;
FIG. 3 is a top plan view of the seal of FIG. 1;
FIG. 4 is a bottom plan view of the seal of FIG. 1;
FIG. 5 is a cross-sectional view of the seal of FIG. 1 taken along line 5-5;
FIG. 6 is an enlarged detail perspective view of the outer circumferential surface of the seal of FIG. 1; and,
FIG. 7 is an enlarged detail perspective view of the inner circumferential surface of the seal of FIG. 1.
The dashed broken lines in the drawings are for the purpose of illustrating portions of the seal that form no part of the claim. The dash-dot-dash broken lines define surface boundaries of the claim, and indicate cutoff boundaries for enlarged detail portion views that form no part of the claim.

1 Claim, 2 Drawing Sheets



(56)

References Cited

U.S. PATENT DOCUMENTS

D728,757 S * 5/2015 Graham D23/269
D743,513 S * 11/2015 Yamagishi D23/269
D754,308 S * 4/2016 Nakagawa D23/269
9,316,119 B2 * 4/2016 Sonokawa F01D 25/183
D815,385 S * 4/2018 Kirkland D34/29
2007/0075505 A1 * 4/2007 Itoi F16J 15/104
277/650
2012/0018957 A1 * 1/2012 Watanabe F16J 15/441
277/387
2014/0030072 A1 * 1/2014 Hillier F01D 11/001
415/173.1
2015/0048574 A1 * 2/2015 Seki F16J 15/3208
277/589
2015/0362074 A1 * 12/2015 Seki F16J 15/24
277/512
2016/0116066 A1 * 4/2016 Watanabe F16J 9/14
277/500

* cited by examiner

FIG. 1

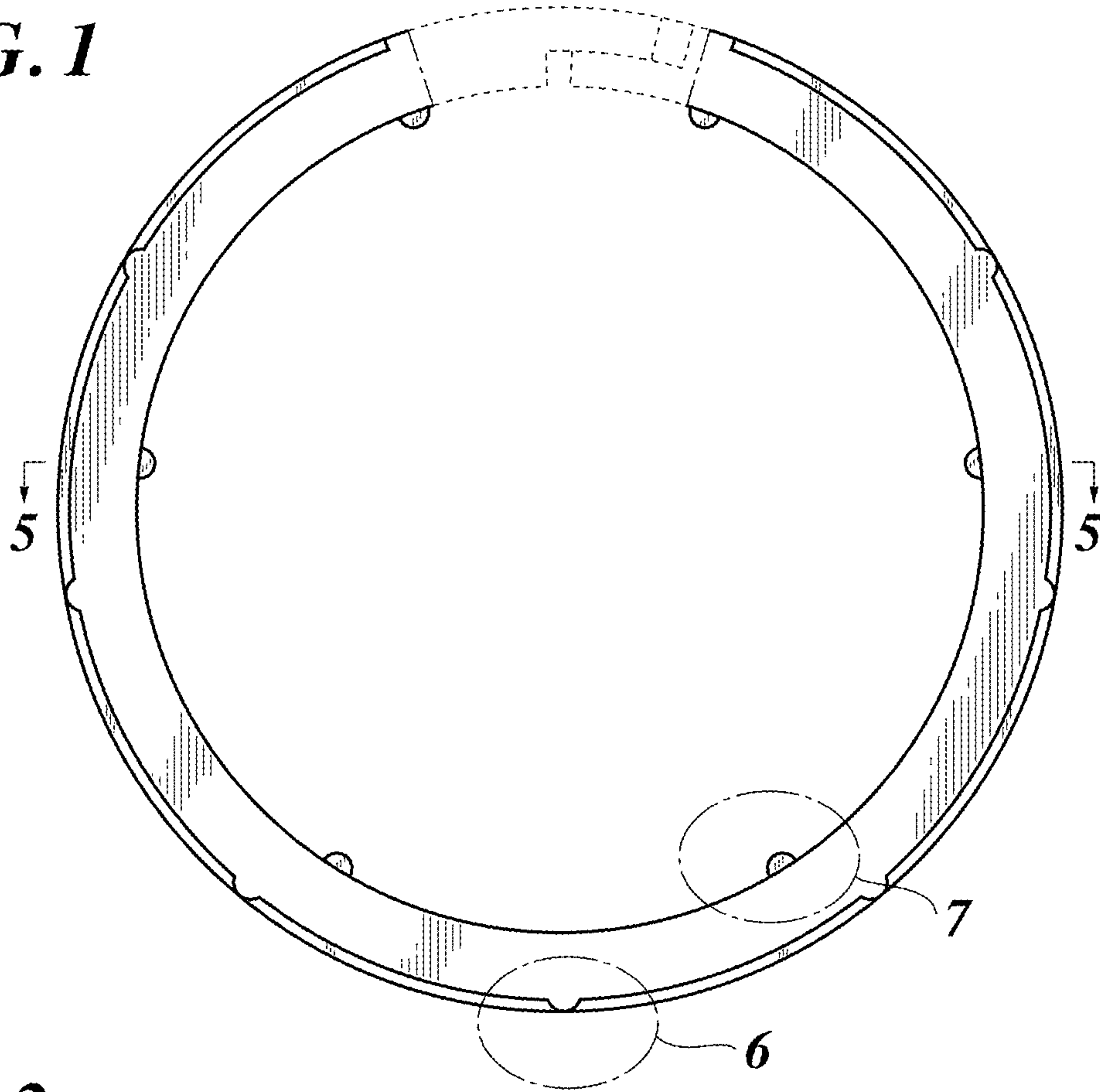


FIG. 2



FIG. 3

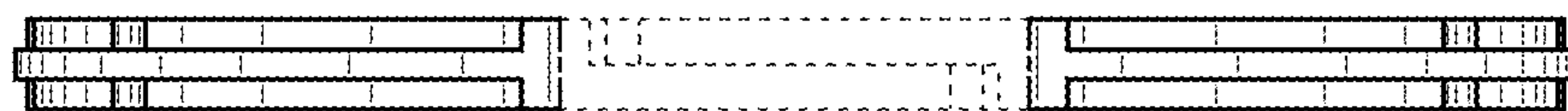


FIG. 4

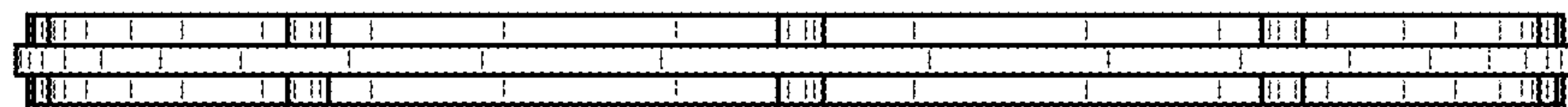


FIG. 5



FIG. 6

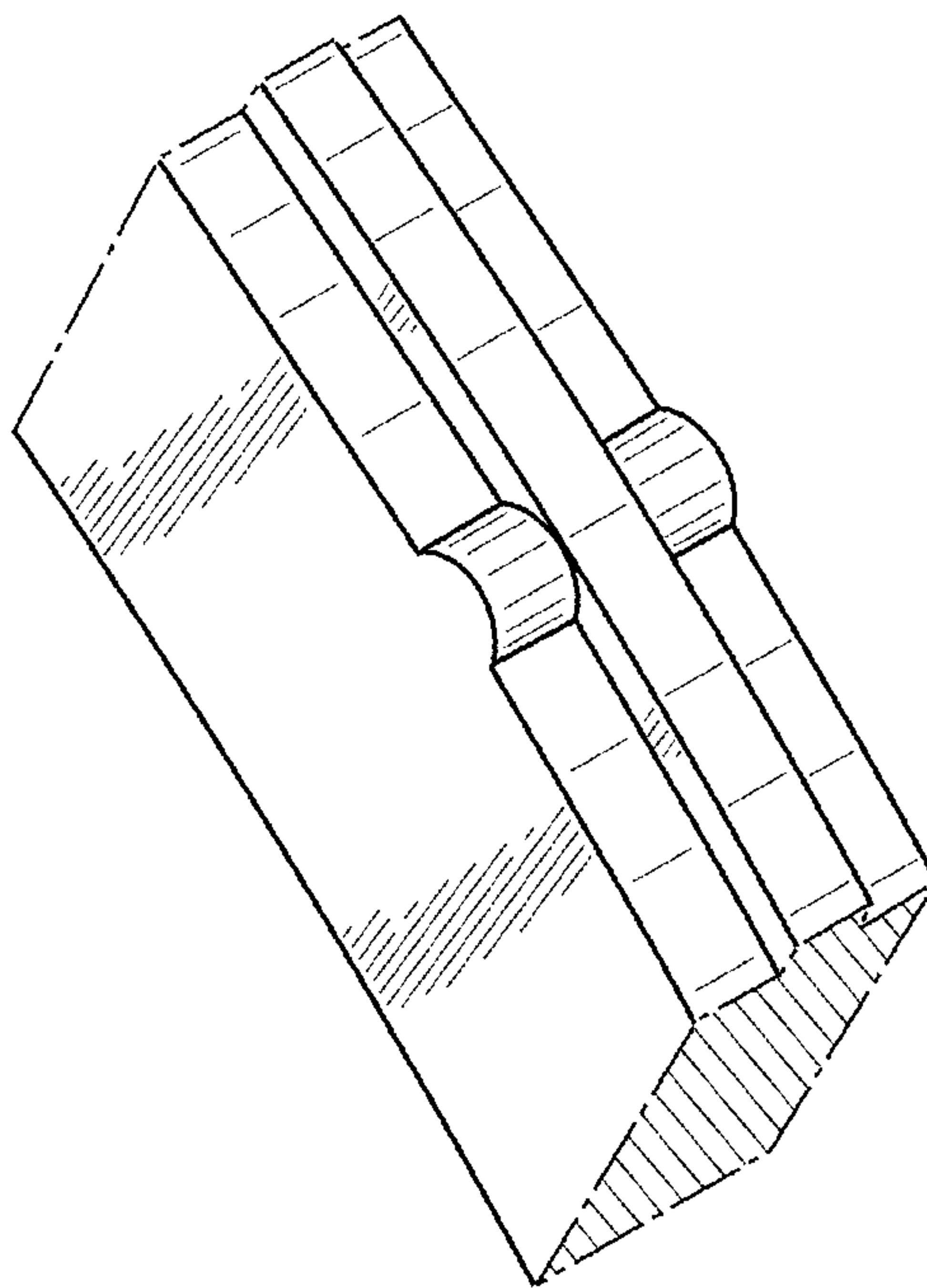


FIG. 7

