



US00D875890S

(12) **United States Design Patent** (10) **Patent No.:** **US D875,890 S**  
**Murata et al.** (45) **Date of Patent:** **\*\* Feb. 18, 2020**

(54) **COIL ASSEMBLY FOR A SOLENOID VALVE**

(71) Applicant: **SAGINOMIYA SEISAKUSHO, INC.**,  
Tokyo (JP)

(72) Inventors: **Masahiro Murata**, Sayama (JP);  
**Yutaka Koyama**, Sayama (JP);  
**Daiichiro Kemmotsu**, Sayama (JP);  
**Ryo Mitome**, Sayama (JP); **Seiichi Nakano**, Sayama (JP)

(73) Assignee: **SAGINOMIYA SEISAKUSHO, INC.**,  
Tokyo (JP)

(\*\*) Term: **15 Years**

(21) Appl. No.: **29/689,862**

(22) Filed: **May 2, 2019**

**Related U.S. Application Data**

(62) Division of application No. 29/611,983, filed on Jul. 27, 2017.

(30) **Foreign Application Priority Data**

Jan. 31, 2017	(JP)	2017-1660
Jan. 31, 2017	(JP)	2017-1661
Jul. 21, 2017	(JP)	2017-15790
Jul. 21, 2017	(JP)	2017-15791

(Continued)

(51) **LOC (12) Cl.** ..... **23-01**

(52) **U.S. Cl.**  
USPC ..... **D23/249**

(58) **Field of Classification Search**  
USPC ..... D23/233-237, 241-249; 251/129.15,  
251/129.01, 129.1, 129.09, 129.21, 30.03;  
137/625.64, 870; 174/151  
CPC .... F16K 27/003; F16K 31/06; F16K 31/0675;  
F16K 27/029

See application file for complete search history.

(56) **References Cited**

U.S. PATENT DOCUMENTS

5,710,535 A *	1/1998	Goloff	.....	H01F 27/29 174/151
6,073,904 A *	6/2000	Diller	.....	F16K 31/082 251/30.03
D615,618 S *	5/2010	Someya	.....	D23/233

(Continued)

*Primary Examiner* — Gino Colan

(74) *Attorney, Agent, or Firm* — Reising Ethington P.C.

(57) **CLAIM**

We claim the ornamental design of a coil assembly for solenoid valve, as shown and described.

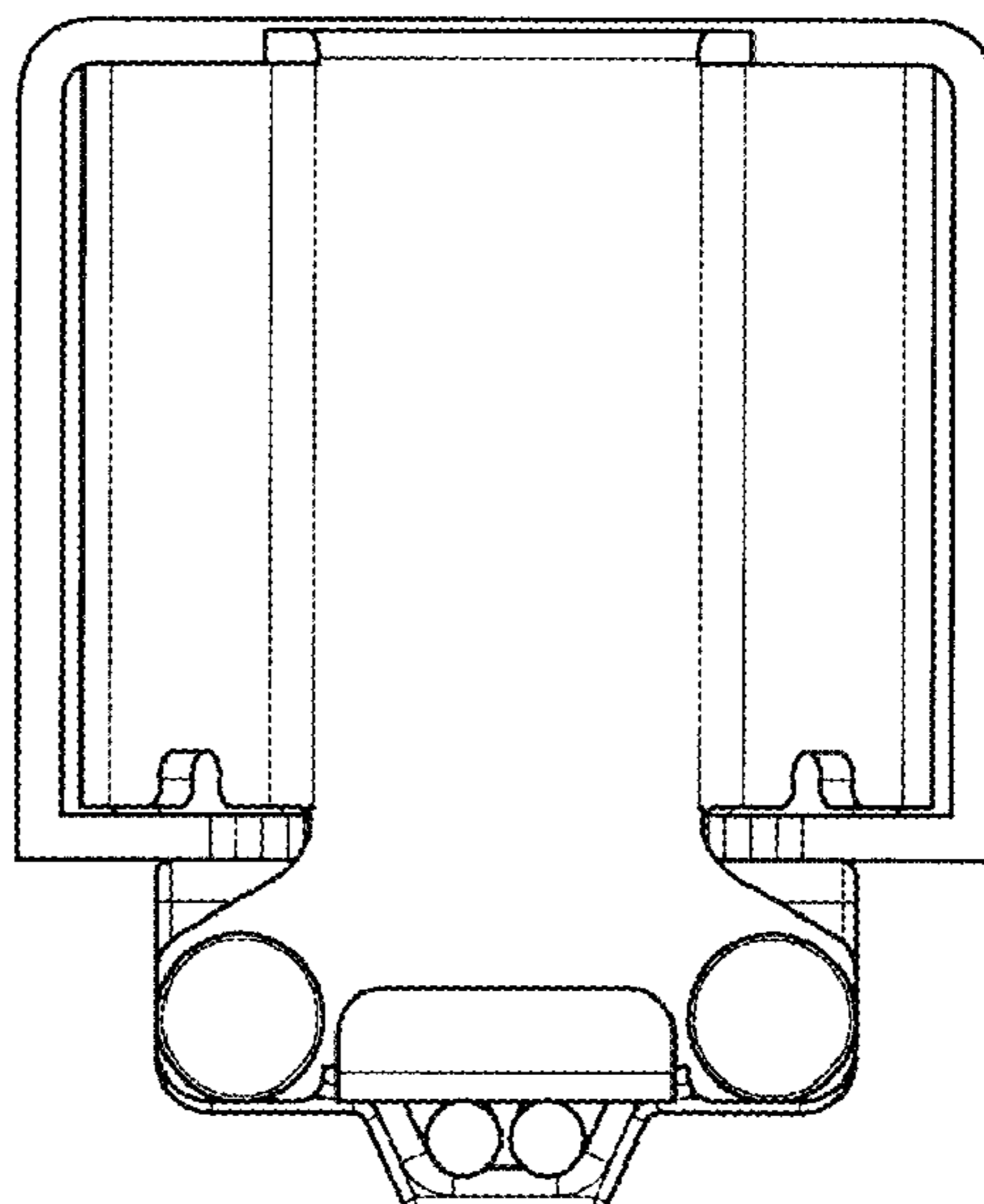
**DESCRIPTION**

FIG. 1 is a front elevation view of a coil assembly for a solenoid valve showing our new design;  
 FIG. 2 is a rear elevation view thereof;  
 FIG. 3 is a right side elevation view thereof;  
 FIG. 4 is a left side elevation view thereof;  
 FIG. 5 is a top plan view thereof;  
 FIG. 6 is a bottom plan view thereof;  
 FIG. 7 is front, left and top perspective view thereof;  
 FIG. 8 is a rear, left and top perspective view thereof;  
 FIG. 9 is a front, left and bottom perspective view thereof;  
 FIG. 10 is a rear, left and bottom perspective view thereof;  
 and,  
 FIG. 11 is a front, left and bottom perspective view thereof, shown in condition of use.

The broken lines shown in FIG. 11 are for the purpose of illustrating environment which form no part of the claimed design.

The coil assembly for a solenoid valve is shown with a symbolic break in its length. The appearance of any portion of the article between the break lines forms no part of the claimed design.

**1 Claim, 6 Drawing Sheets**



(30) **Foreign Application Priority Data**

Jul. 21, 2017 (JP) ..... 2017-15792  
Jul. 21, 2017 (JP) ..... 2017-15793

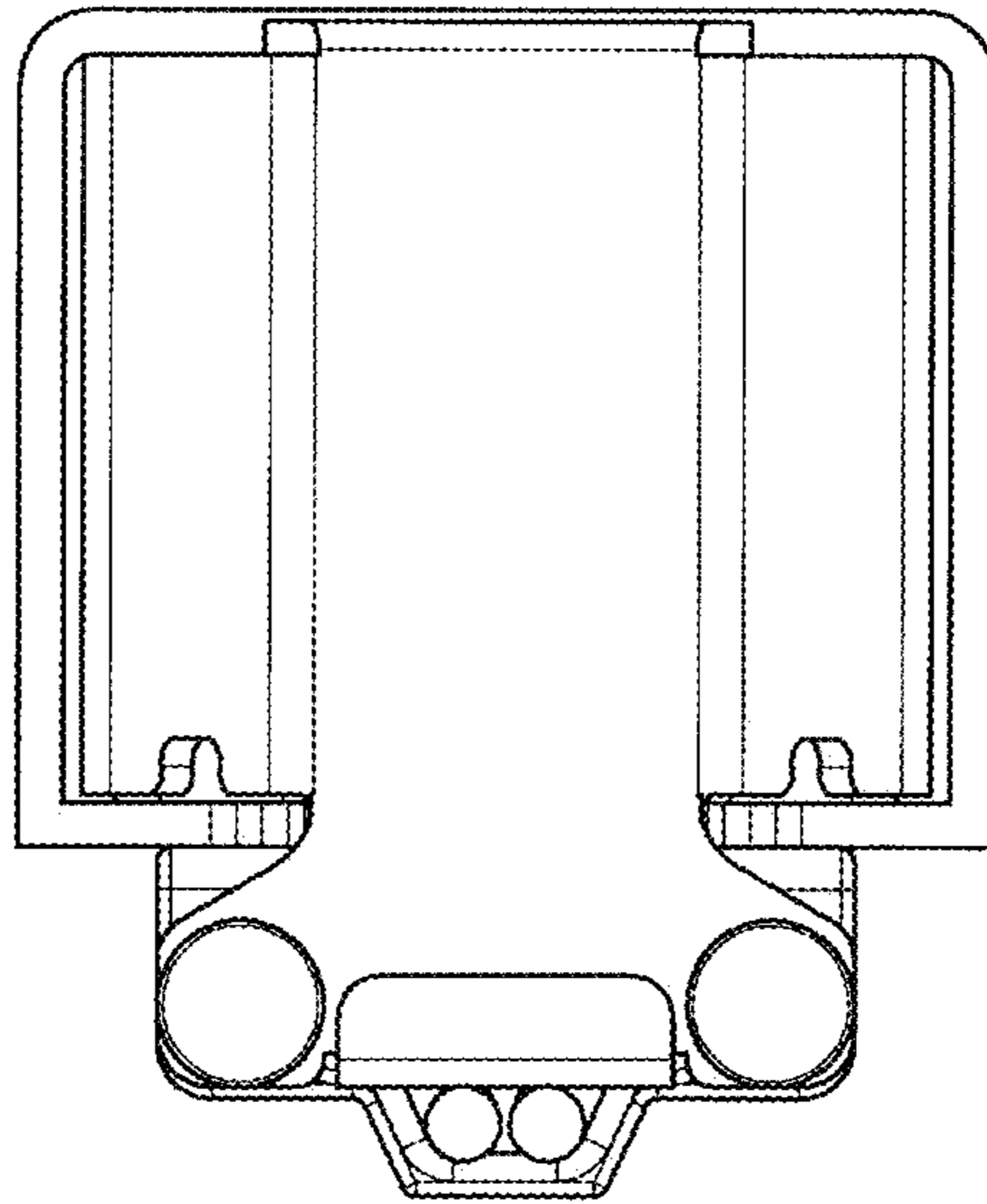
(56) **References Cited**

U.S. PATENT DOCUMENTS

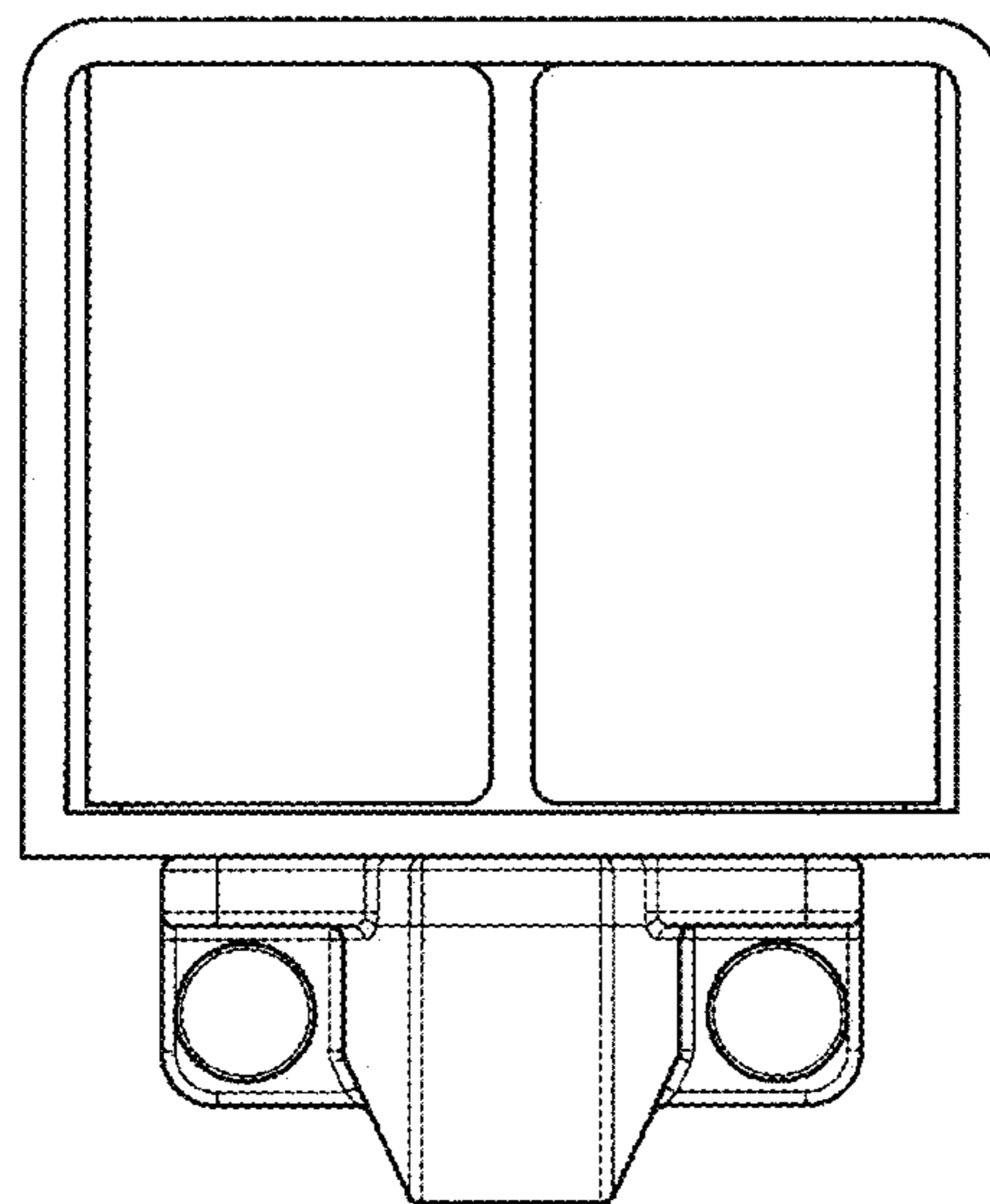
D791,917 S \* 7/2017 Itoh ..... D23/233  
D825,717 S \* 8/2018 Karibe ..... D23/233  
D825,718 S \* 8/2018 Karibe ..... D23/233  
D826,377 S \* 8/2018 Karibe ..... D23/233  
10,072,764 B2 \* 9/2018 No ..... F16K 27/029  
D839,994 S \* 2/2019 Cole ..... D23/249

\* cited by examiner

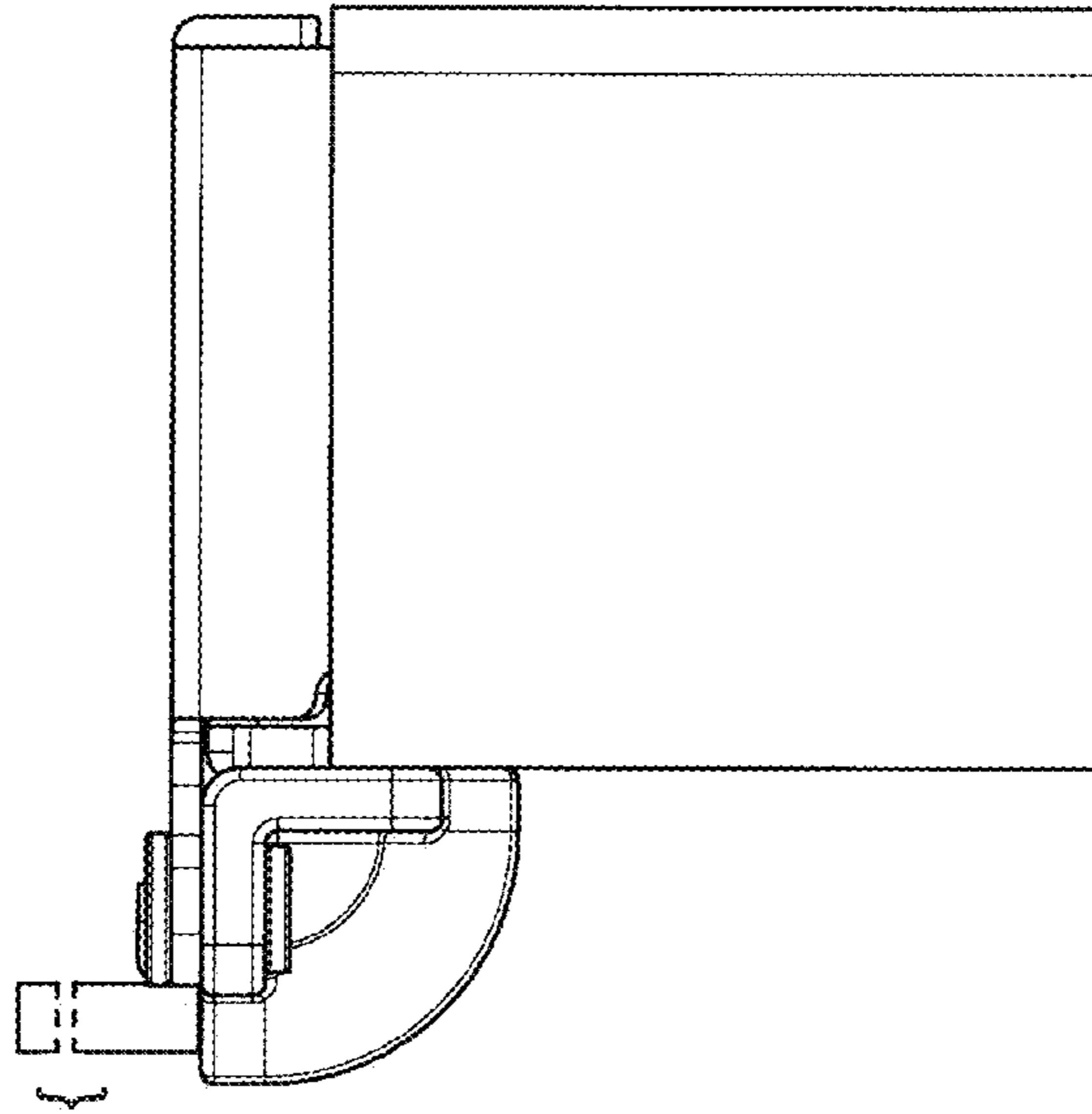
***FIG. 1***



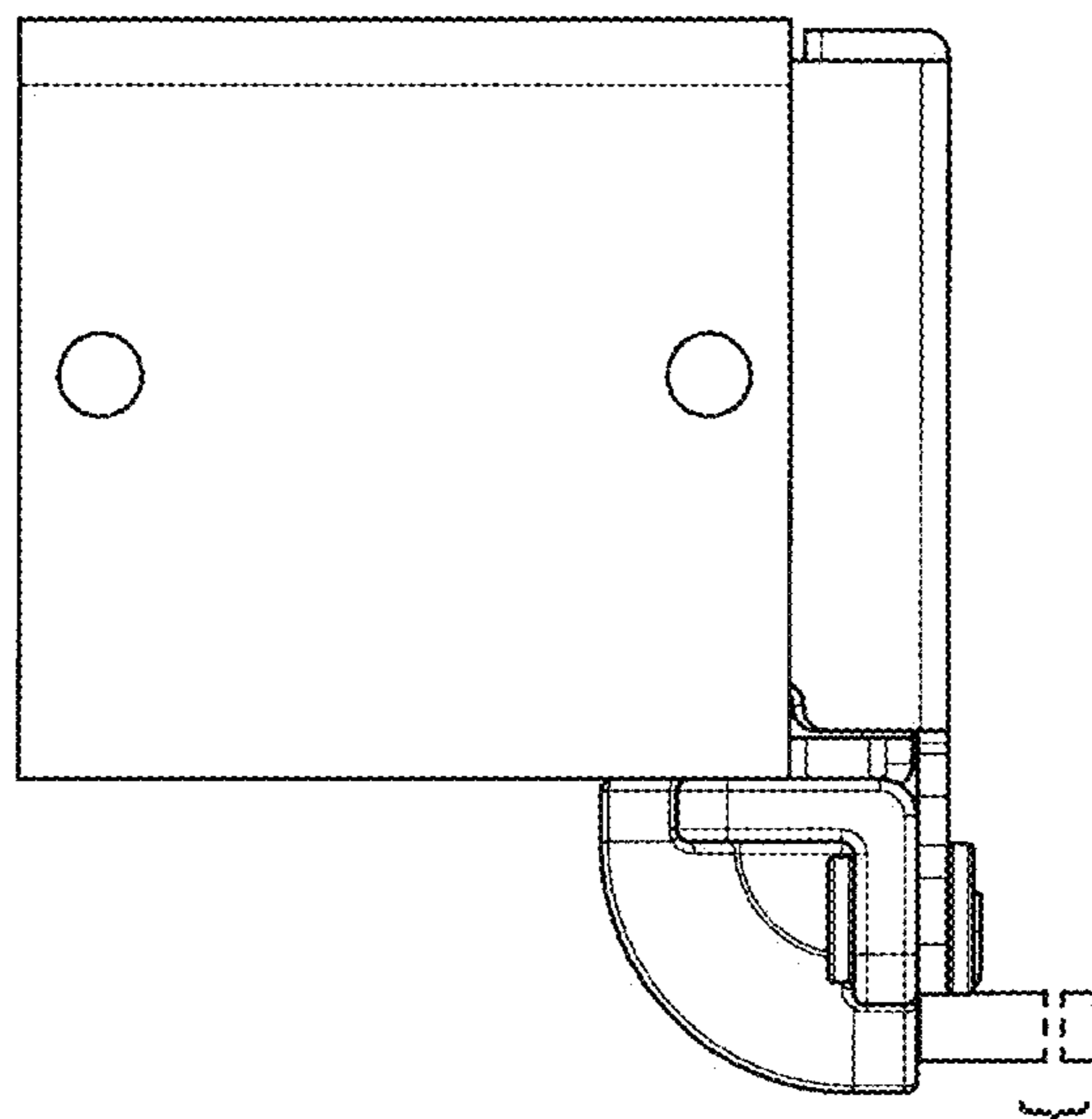
***FIG. 2***



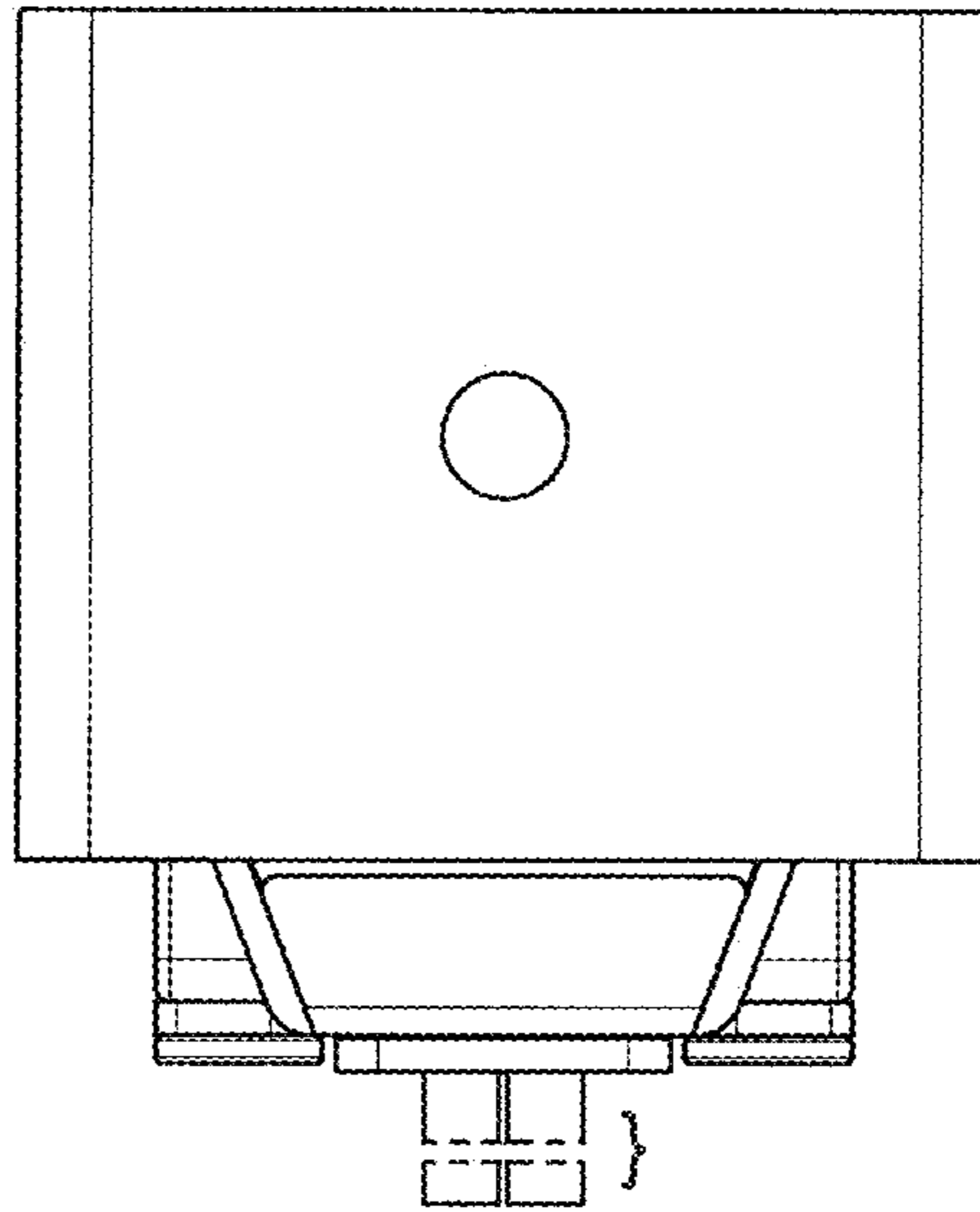
***FIG. 3***



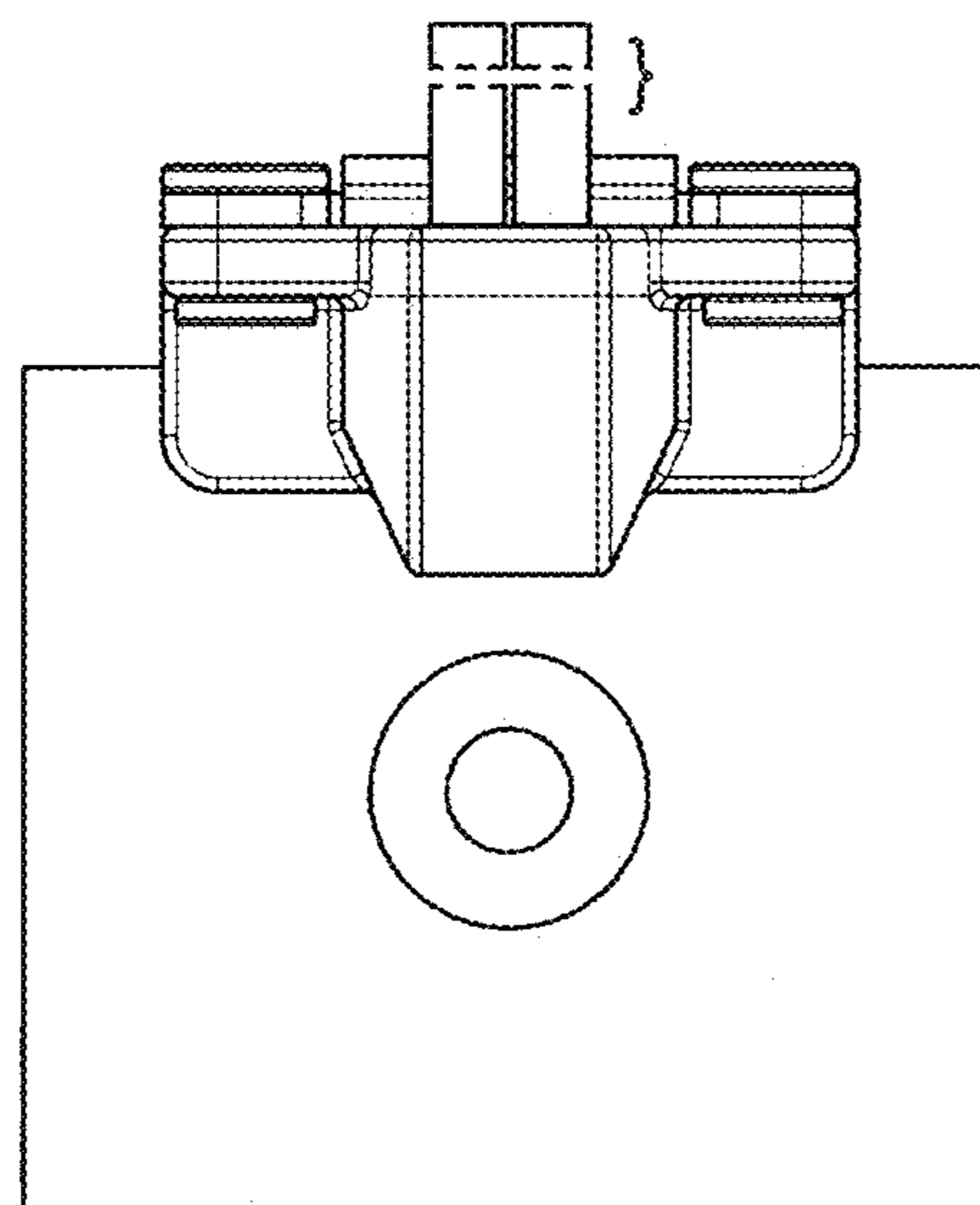
***FIG. 4***



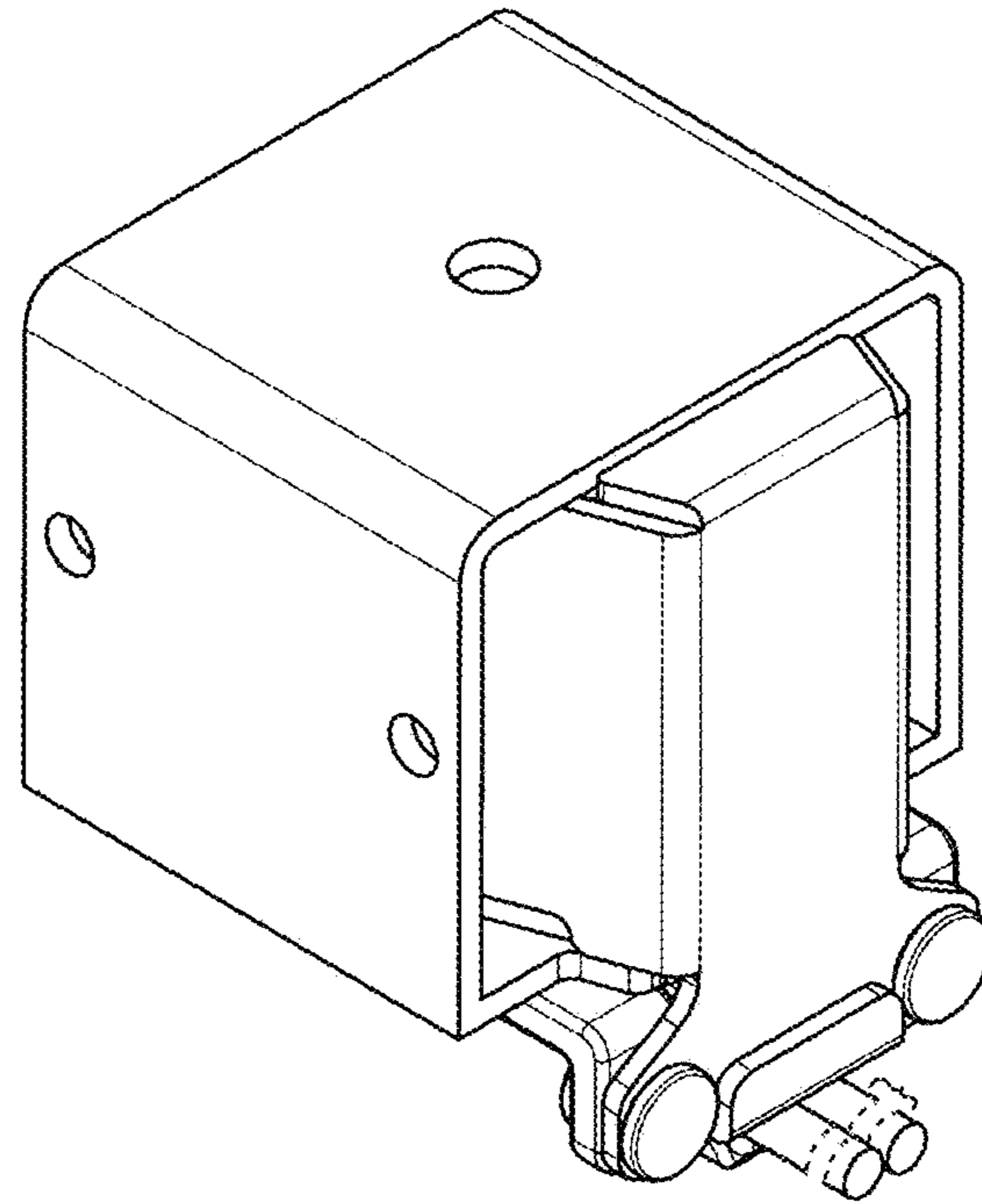
***FIG. 5***



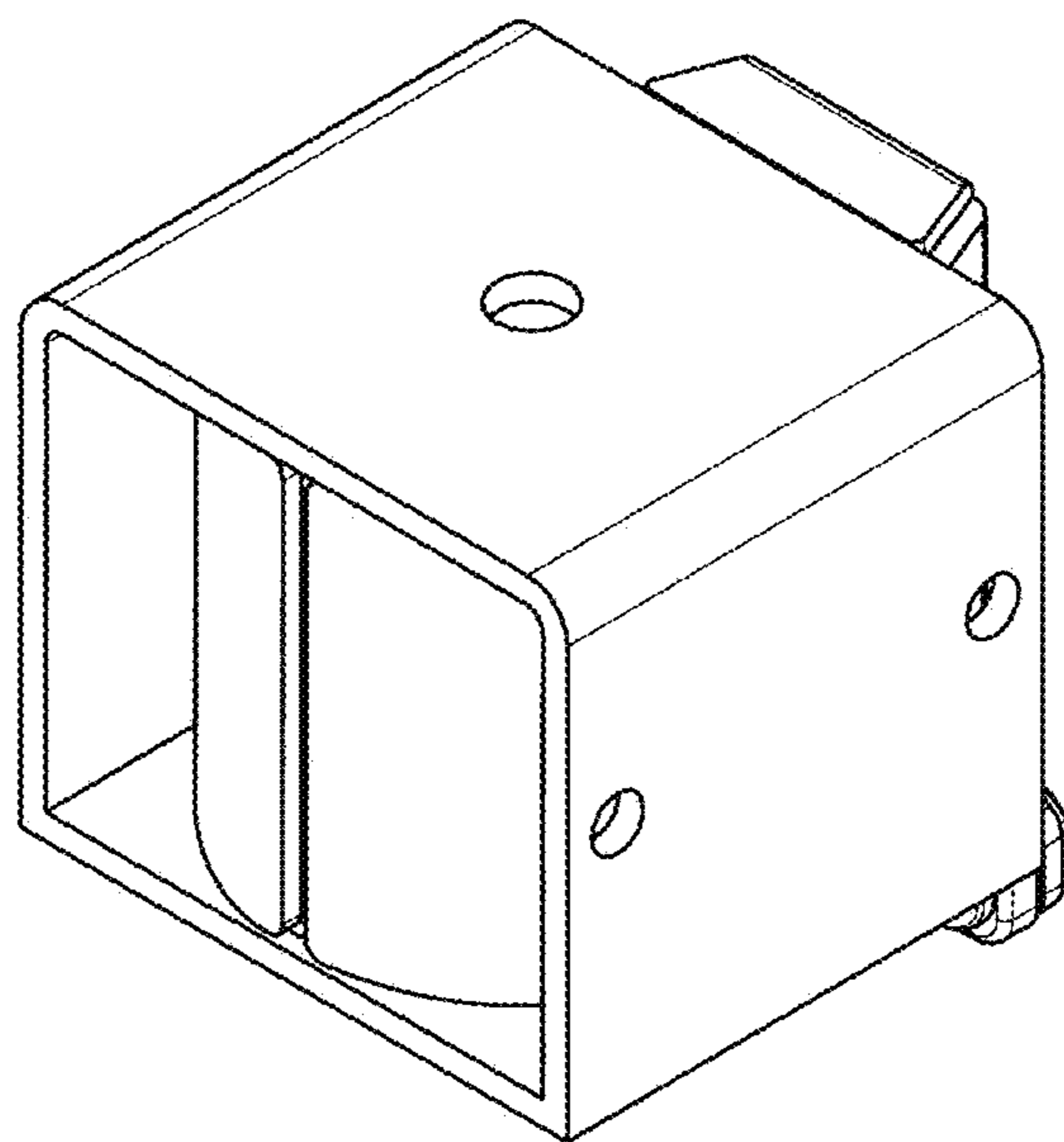
***FIG. 6***



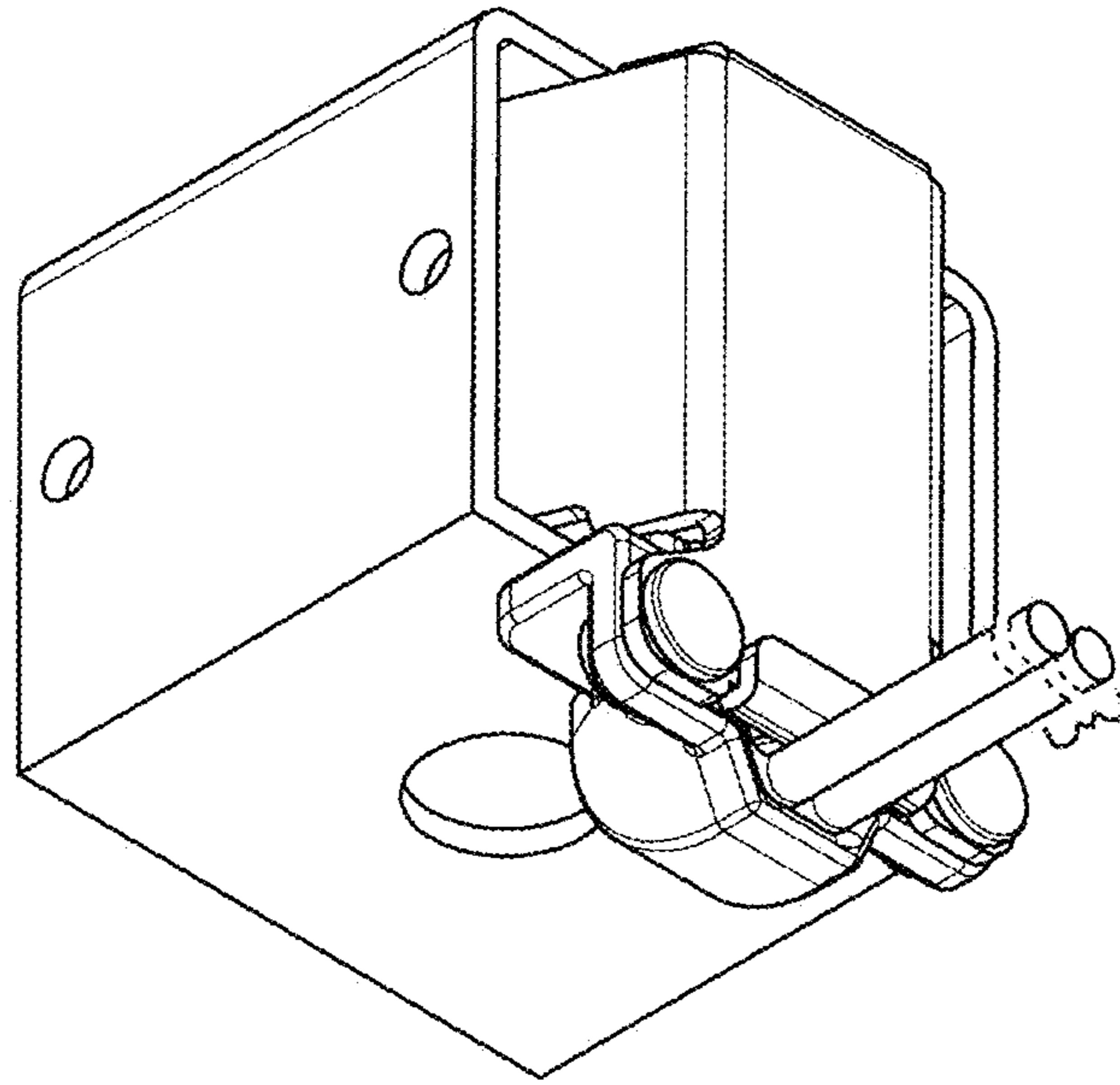
**FIG. 7**



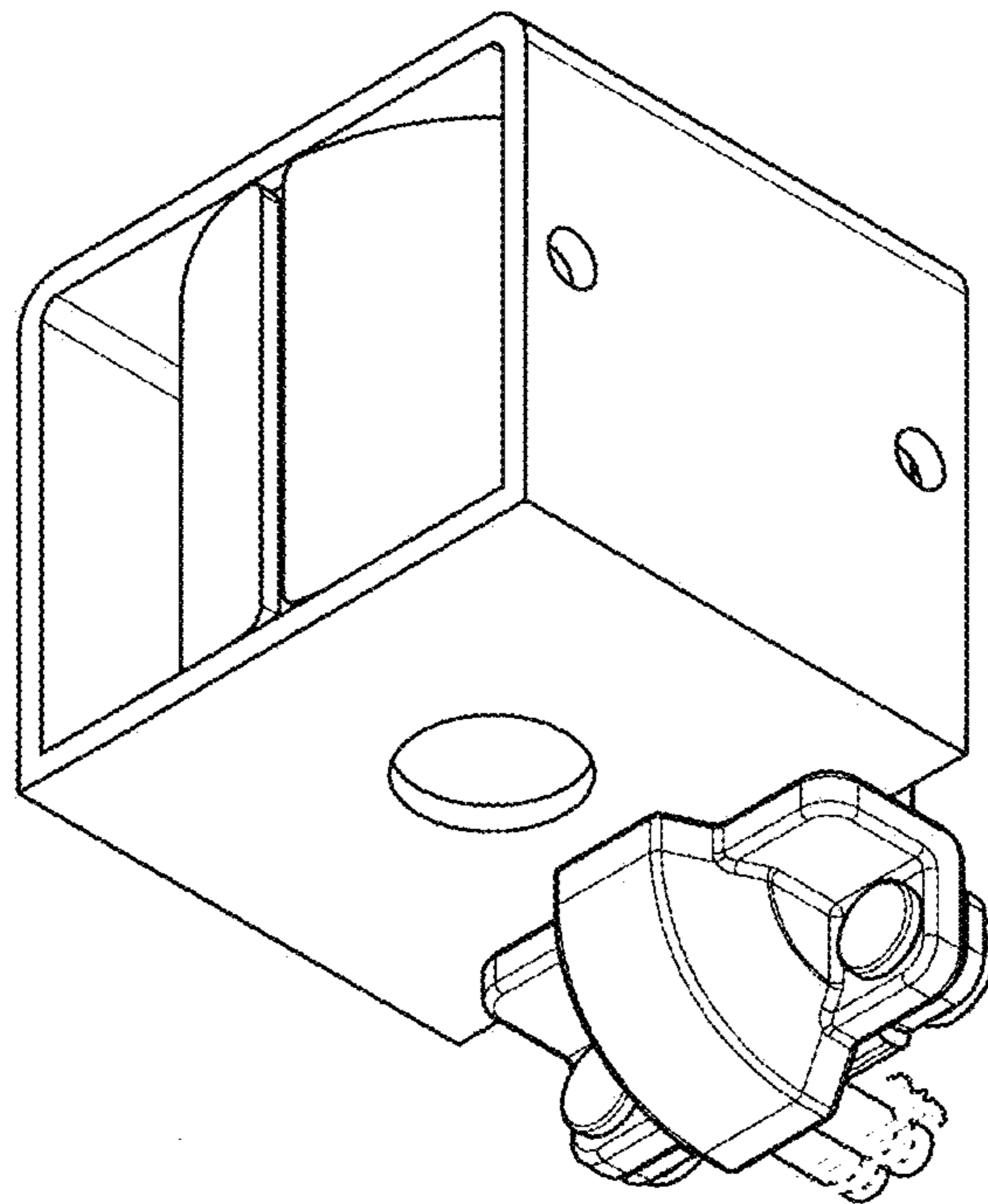
**FIG. 8**

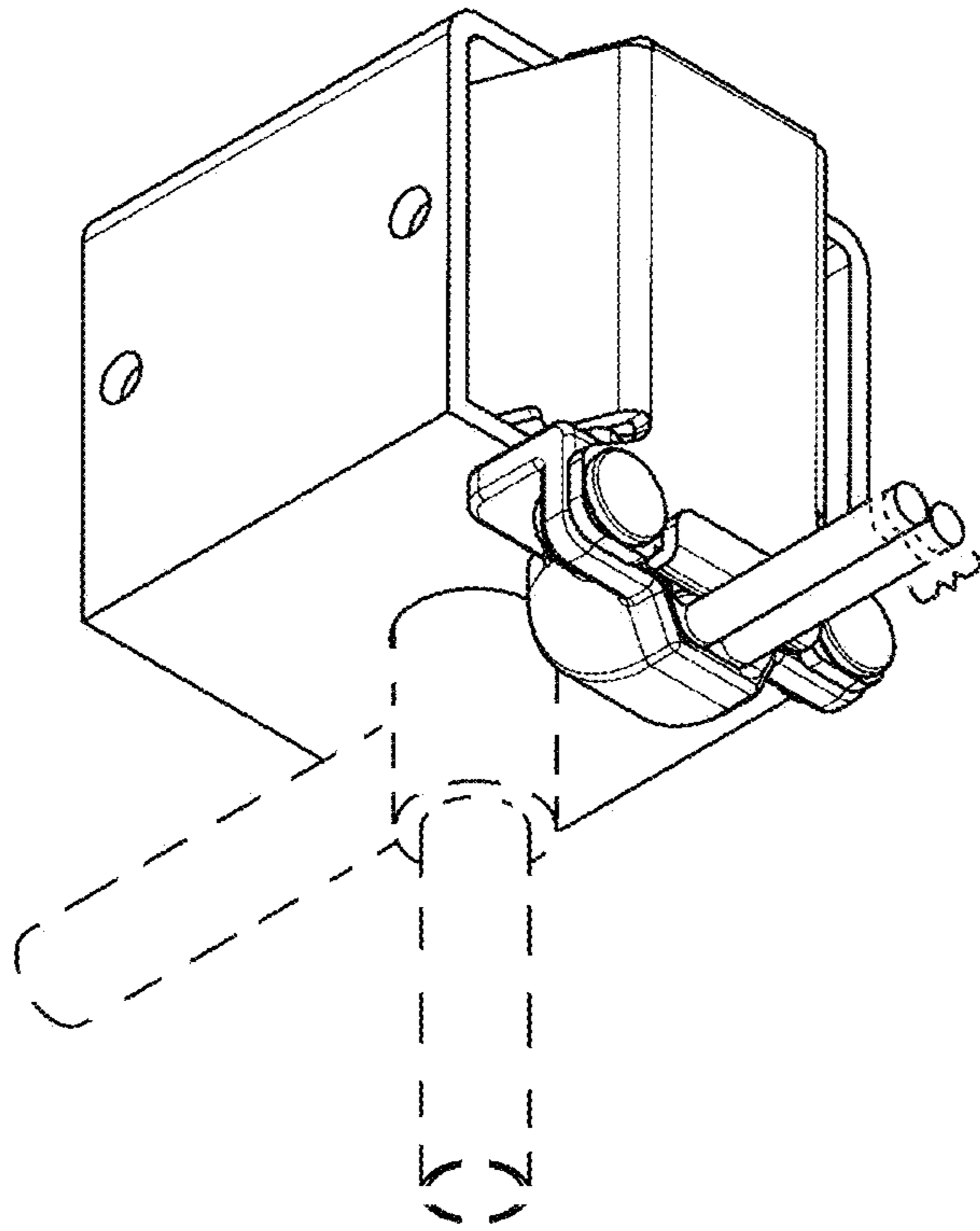


**FIG. 9**



**FIG. 10**





***FIG. 11***