

US00D875889S

(12) **United States Design Patent** (10) **Patent No.:** **US D875,889 S**
Murata et al. (45) **Date of Patent:** **** Feb. 18, 2020**

(54) **COIL ASSEMBLY FOR A SOLENOID VALVE**

(56) **References Cited**

(71) Applicant: **SAGINOMIYA SEISAKUSHO, INC.**,
Tokyo (JP)

U.S. PATENT DOCUMENTS

(72) Inventors: **Masahiro Murata**, Sayama (JP);
Yutaka Koyama, Sayama (JP);
Daiichiro Kemmotsu, Sayama (JP);
Ryo Mitome, Sayama (JP); **Seiichi**
Nakano, Sayama (JP)

5,710,535 A * 1/1998 Goloff H01F 27/29
174/151
6,073,904 A * 6/2000 Diller F16K 31/082
251/30.03
D615,618 S * 5/2010 Someya D23/233
D791,917 S * 7/2017 Itoh D23/233
D825,717 S * 8/2018 Karibe D23/233
D825,718 S * 8/2018 Karibe D23/233

(73) Assignee: **SAGINOMIYA SEISAKUSHO, INC.**,
Tokyo (JP)

(Continued)

(**) Term: **15 Years**

Primary Examiner — Gino Colan

(21) Appl. No.: **29/689,854**

(74) *Attorney, Agent, or Firm* — Reising Ethington P.C.

(22) Filed: **May 2, 2019**

(57) **CLAIM**

Related U.S. Application Data

We claim the ornamental design of a coil assembly for solenoid valve, as shown and described.

(62) Division of application No. 29/611,983, filed on Jul. 27, 2017.

DESCRIPTION

(30) **Foreign Application Priority Data**

Jan. 31, 2017 (JP) 2017-1660
Jan. 31, 2017 (JP) 2017-1661
Jul. 21, 2017 (JP) 2017-1572
Jul. 21, 2017 (JP) 2017-15790
Jul. 21, 2017 (JP) 2017-15791
Jul. 21, 2017 (JP) 2017-15793

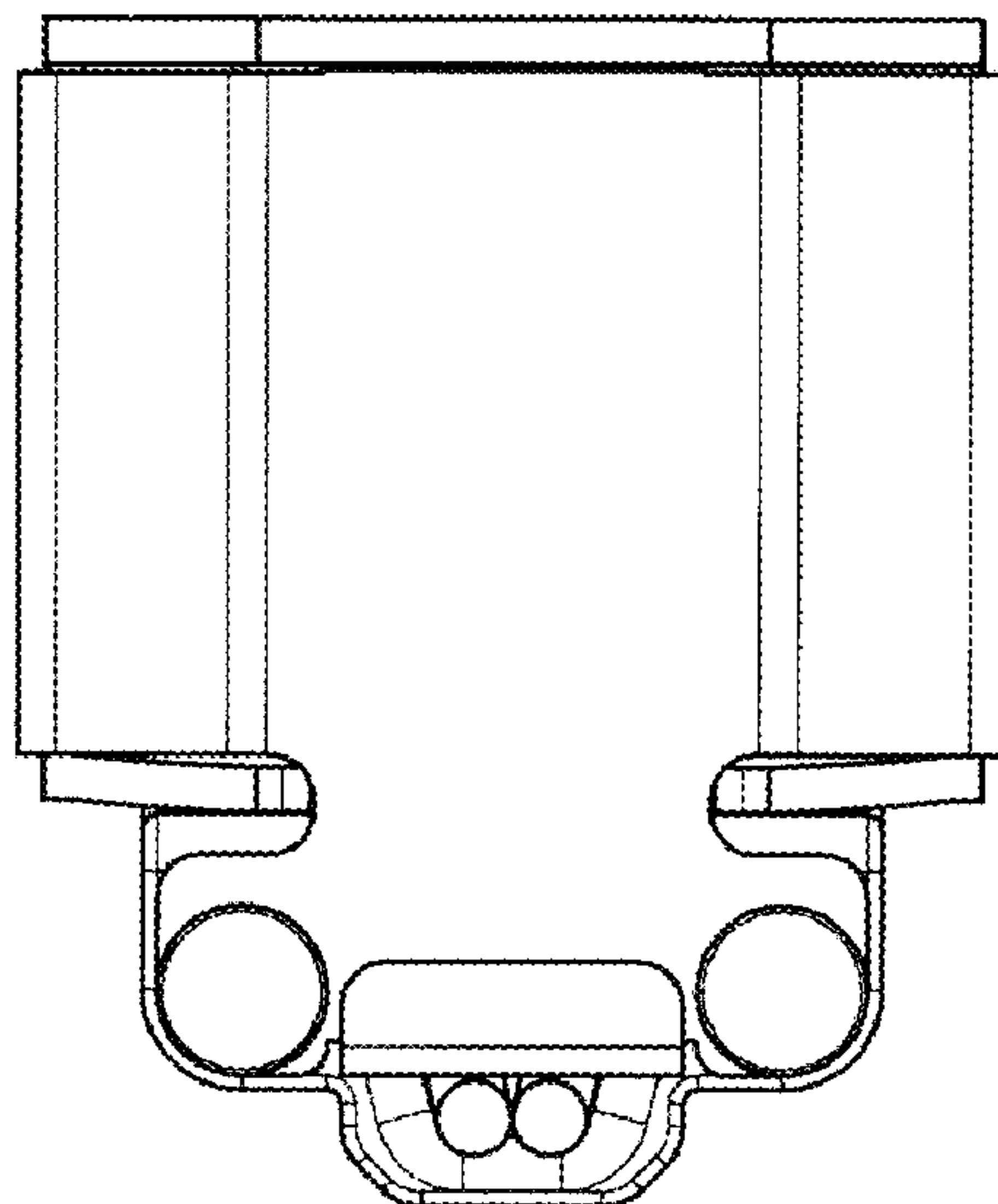
FIG. 1 is a front elevation view of a coil assembly for a solenoid valve showing our new design;
FIG. 2 is a rear elevation view thereof;
FIG. 3 is a right side elevation view thereof;
FIG. 4 is a left side elevation view thereof;
FIG. 5 is a top plan view thereof;
FIG. 6 is a bottom plan view thereof;
FIG. 7 is a front, left and top perspective view thereof;
FIG. 8 is a rear, left and top perspective view thereof;
FIG. 9 is a front, left and bottom perspective view thereof;
and,
FIG. 10 is a rear, left and bottom perspective view thereof.
The coil assembly for a solenoid valve is shown with a symbolic break in its length. The appearance of any portion of the article between the break lines forms no part of the claimed design.

(51) **LOC (12) Cl.** **23-01**

(52) **U.S. Cl.**
USPC **D23/249**

(58) **Field of Classification Search**
USPC D23/233–237, 241–249; 251/129.15,
251/129.1, 129.01, 129.21, 30.03;
137/315.03; 174/151
CPC F16K 27/003; F16K 31/06; F16K 31/0675;
F16K 27/029
See application file for complete search history.

1 Claim, 5 Drawing Sheets



(56)

References Cited

U.S. PATENT DOCUMENTS

D826,377 S * 8/2018 Karibe D23/233
10,072,764 B2 * 9/2018 No F16K 27/029
D839,994 S * 2/2019 Cole D23/249

* cited by examiner

FIG. 1

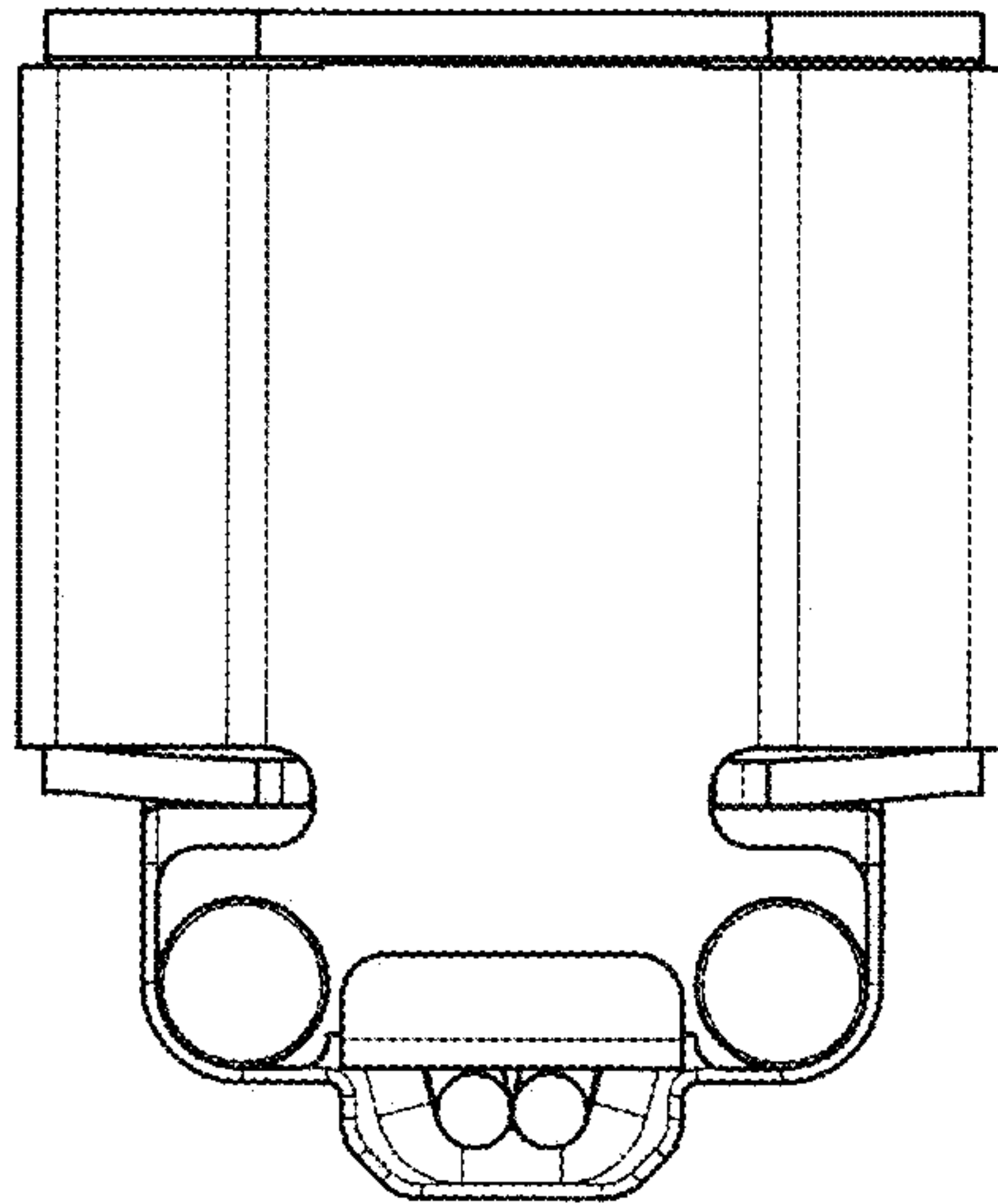


FIG. 2

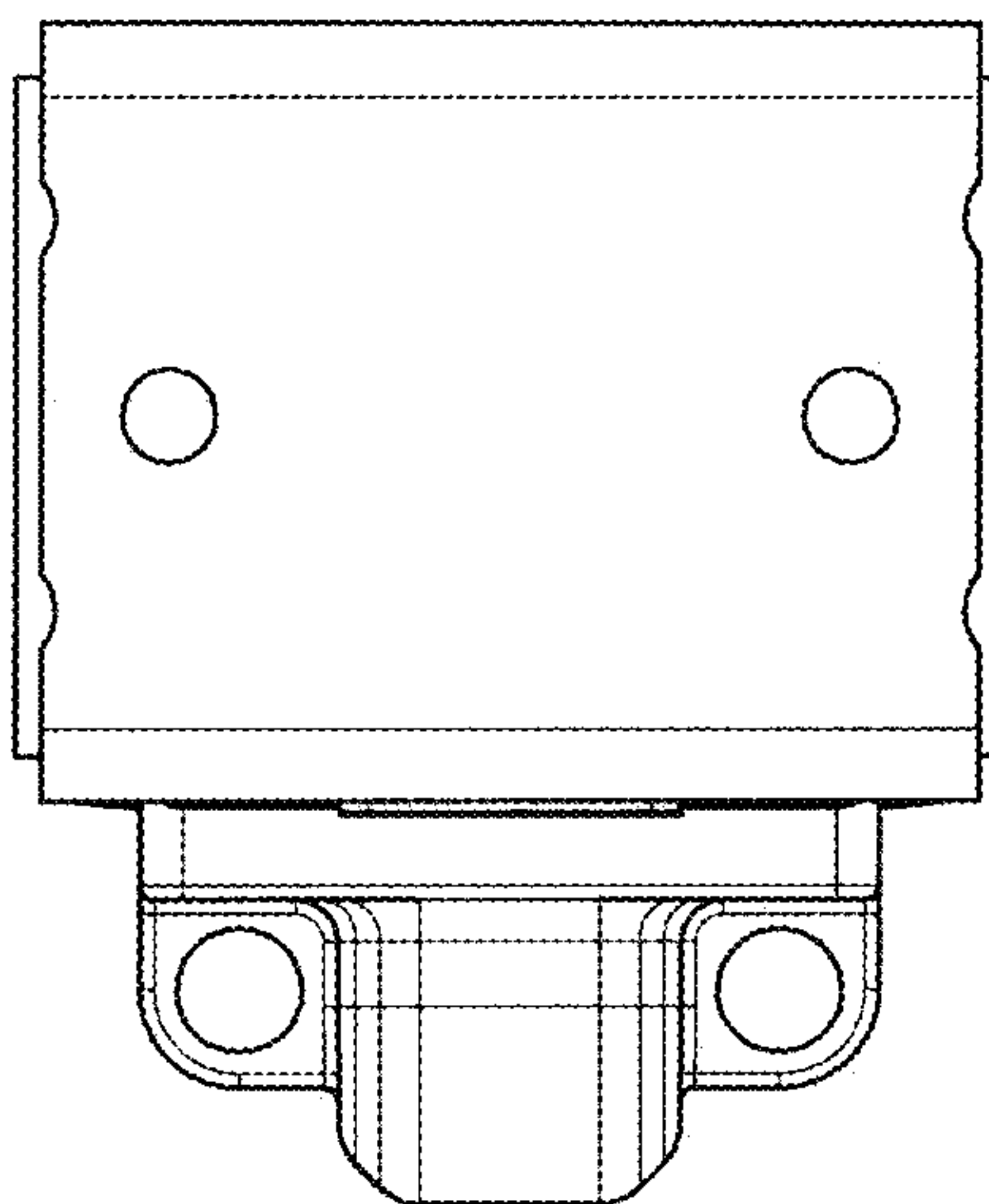


FIG. 3

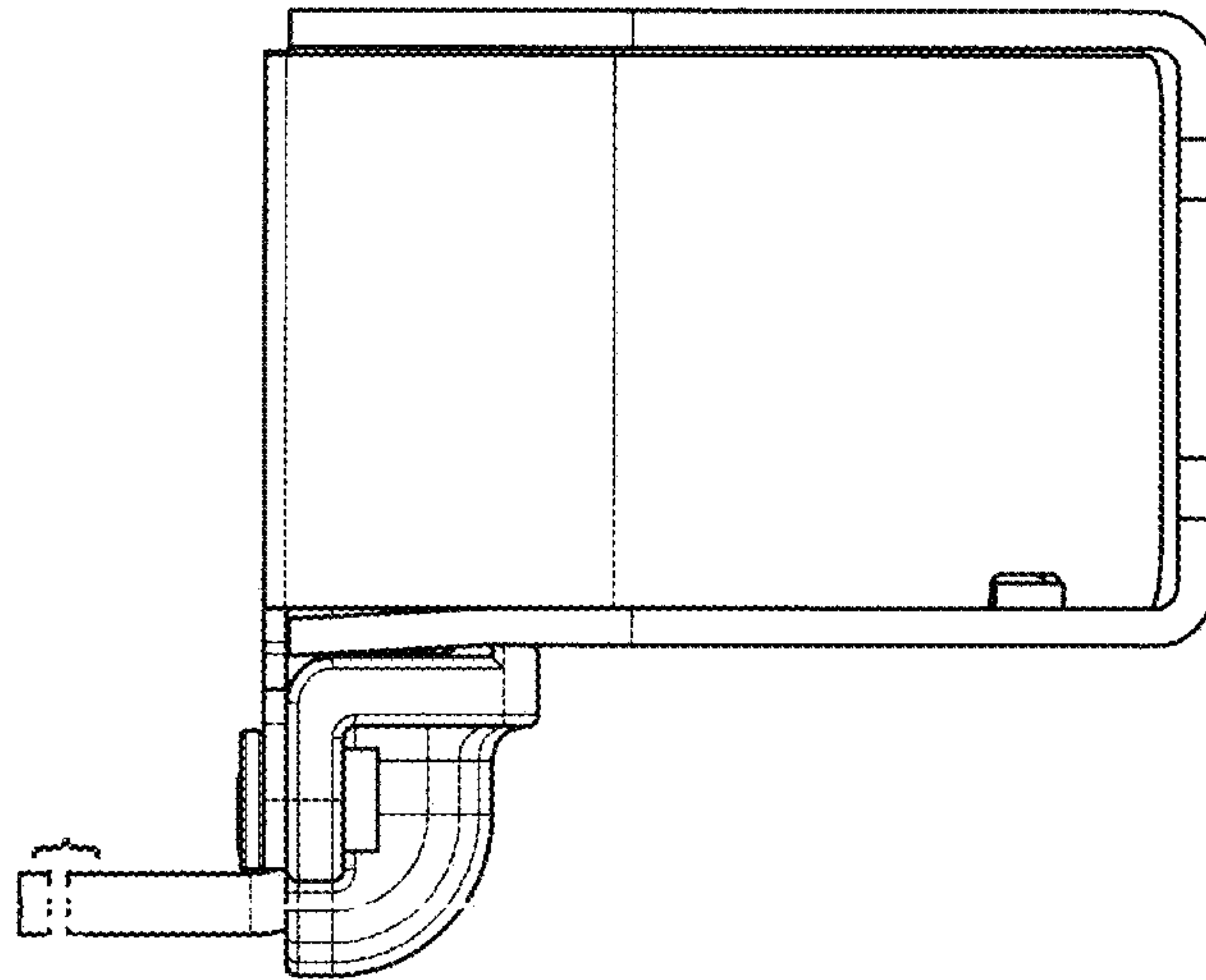


FIG. 4

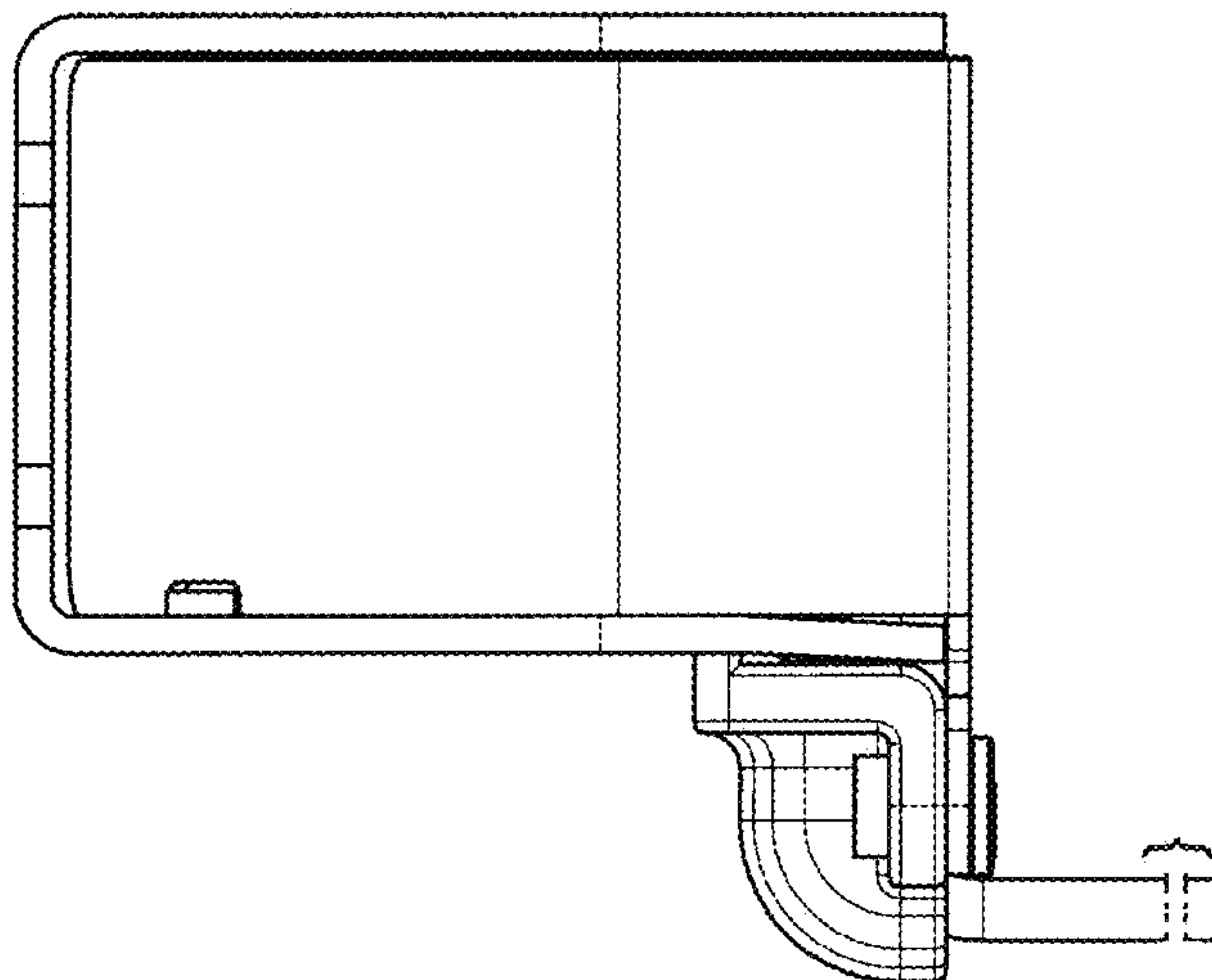


FIG. 5

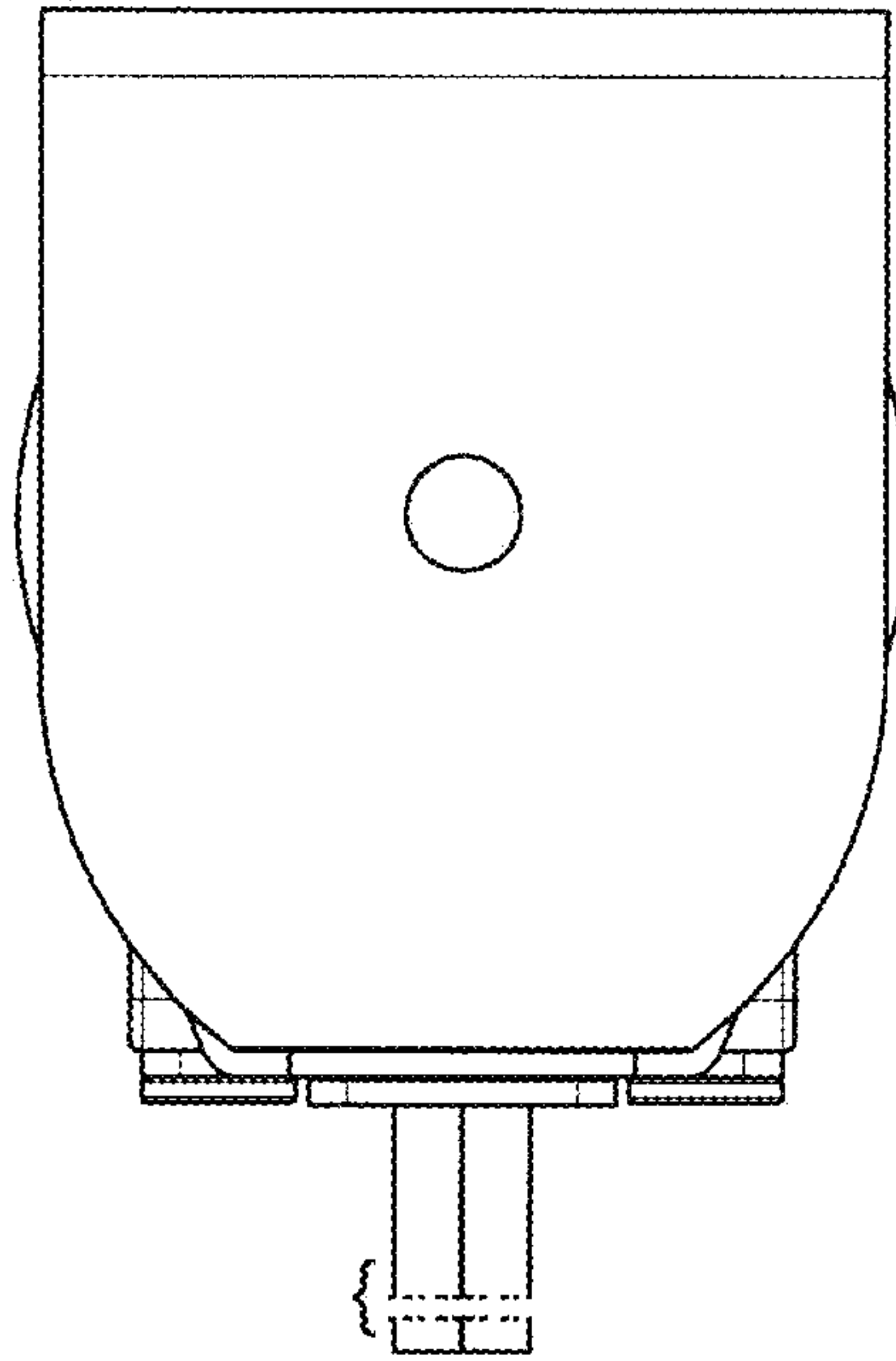


FIG. 6

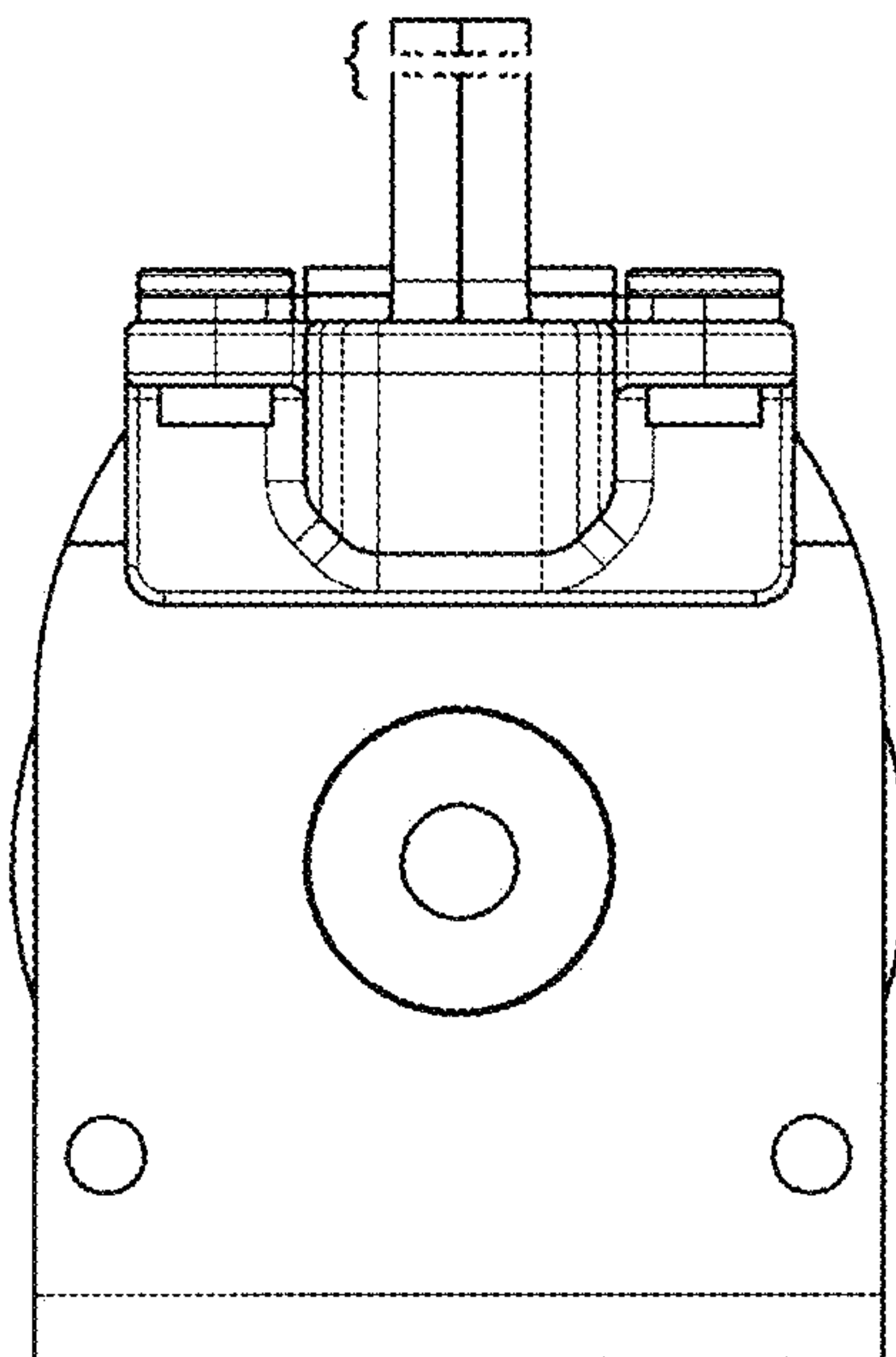


FIG. 7

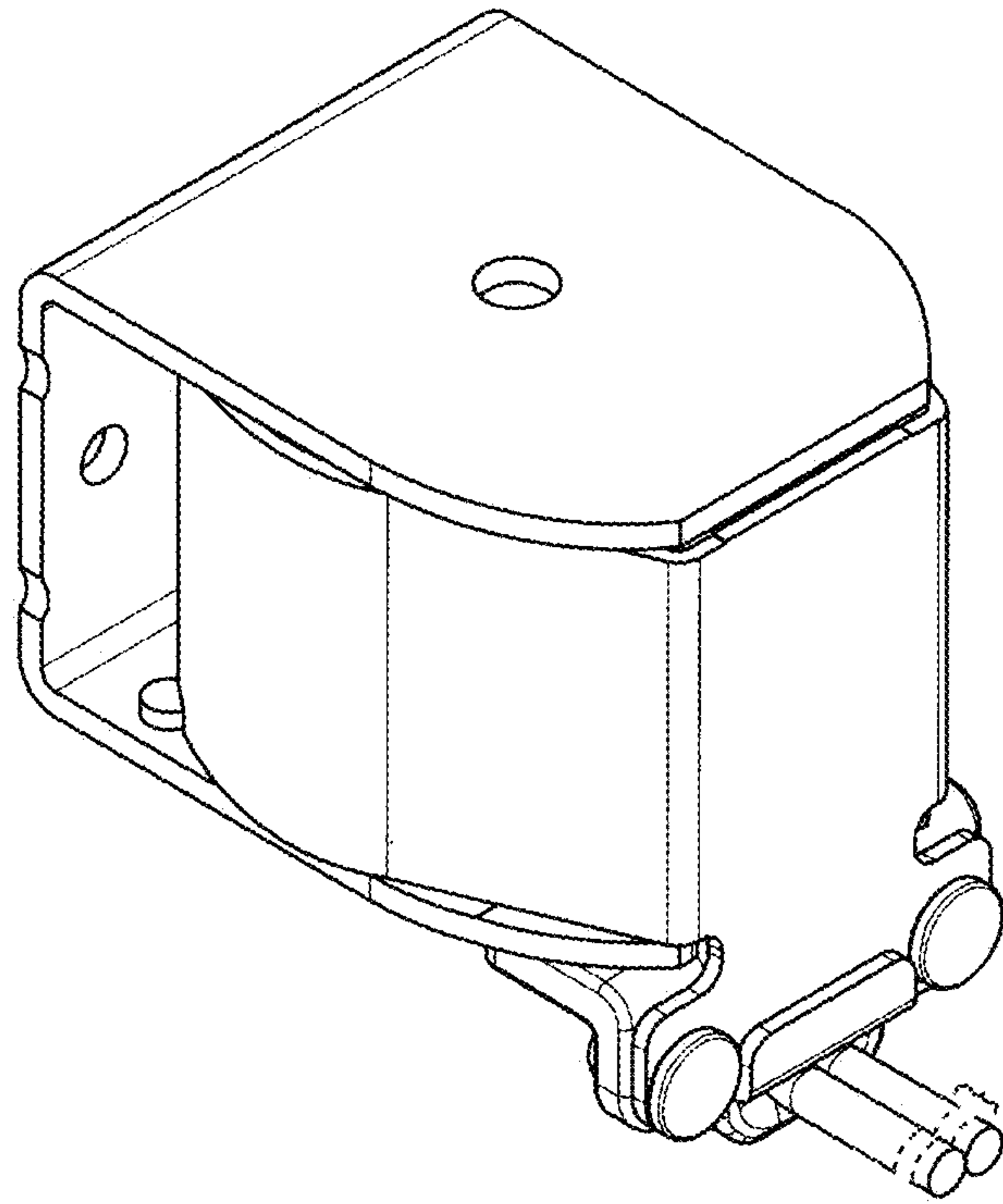


FIG. 8

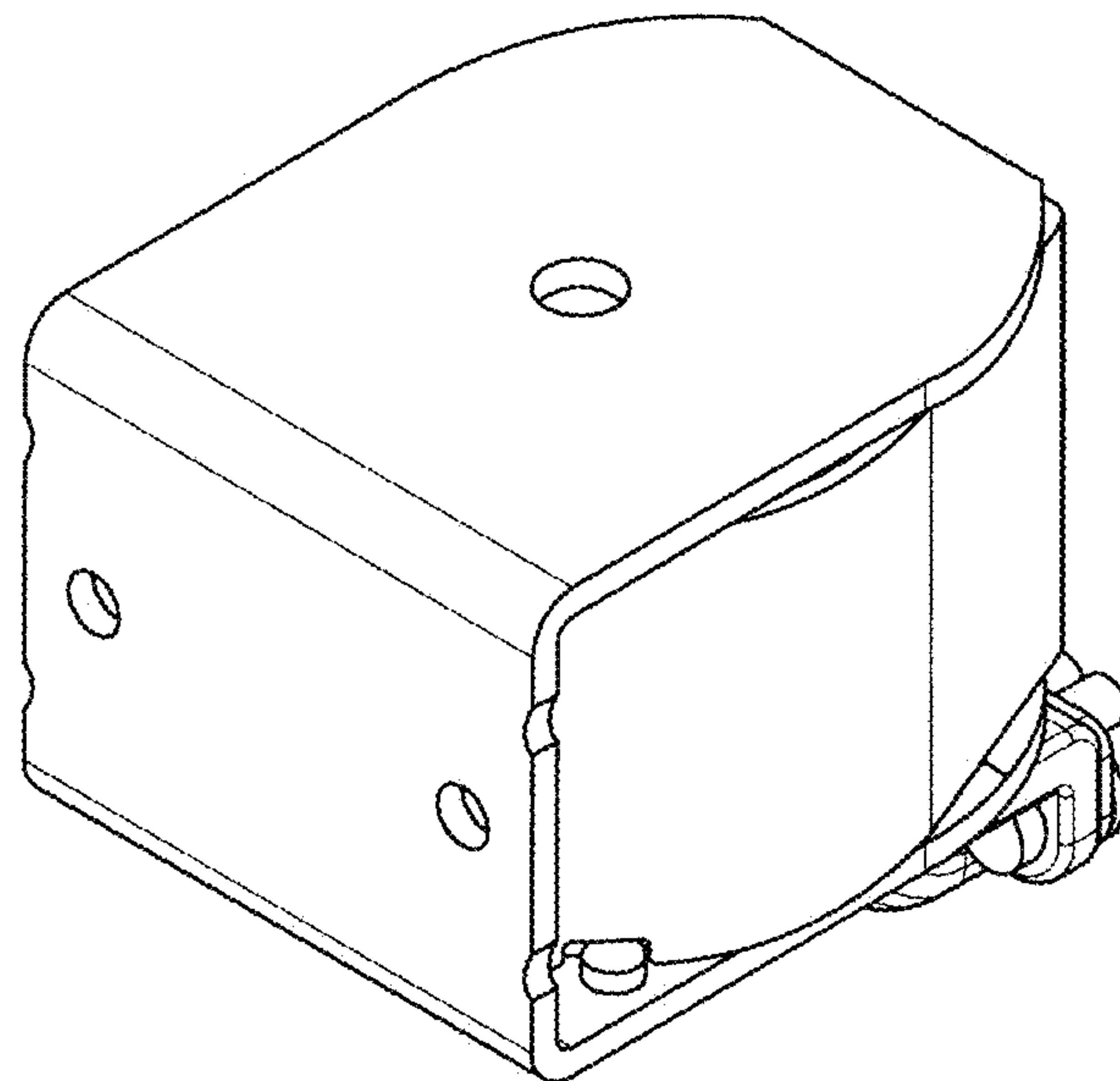


FIG. 9

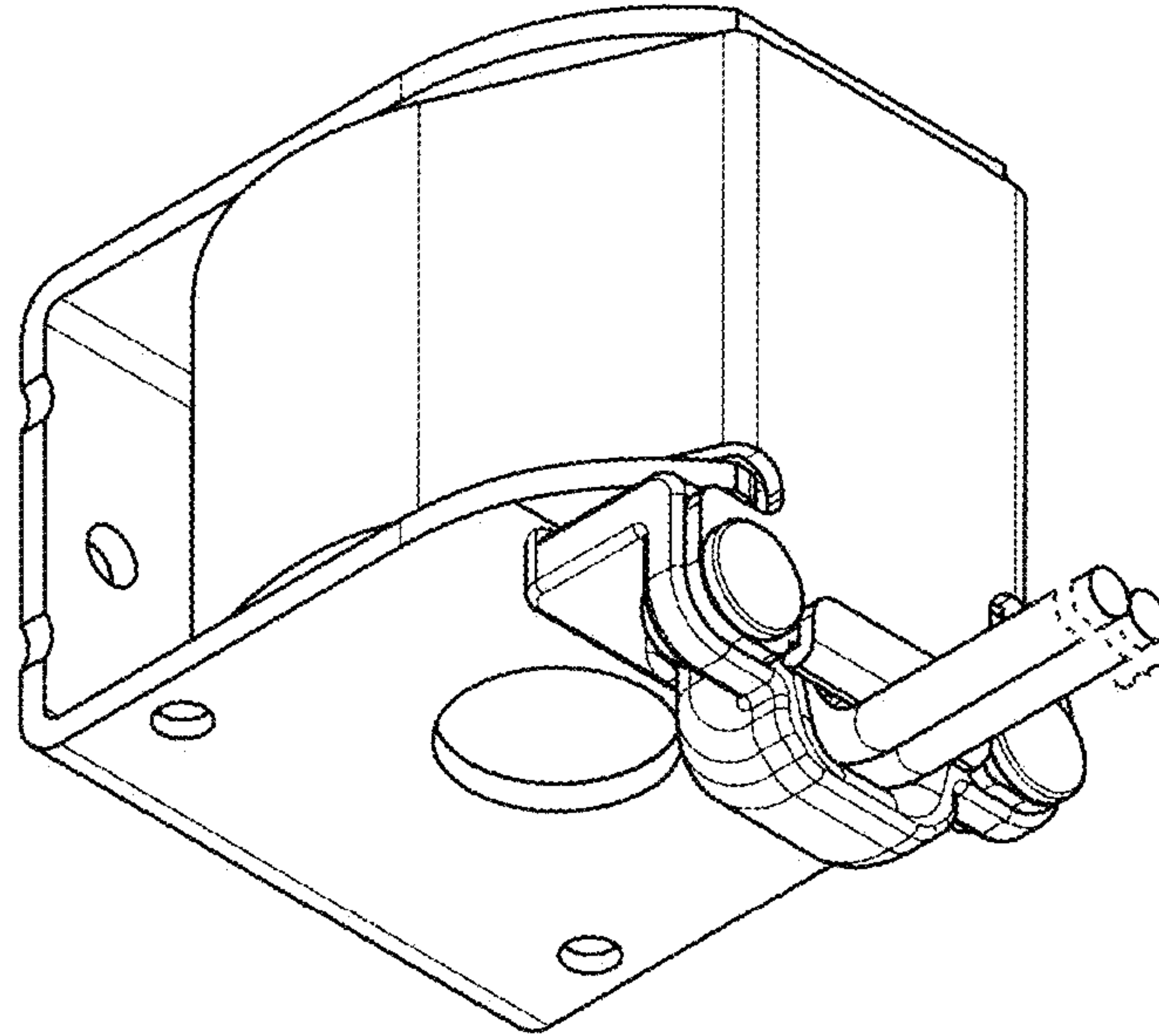
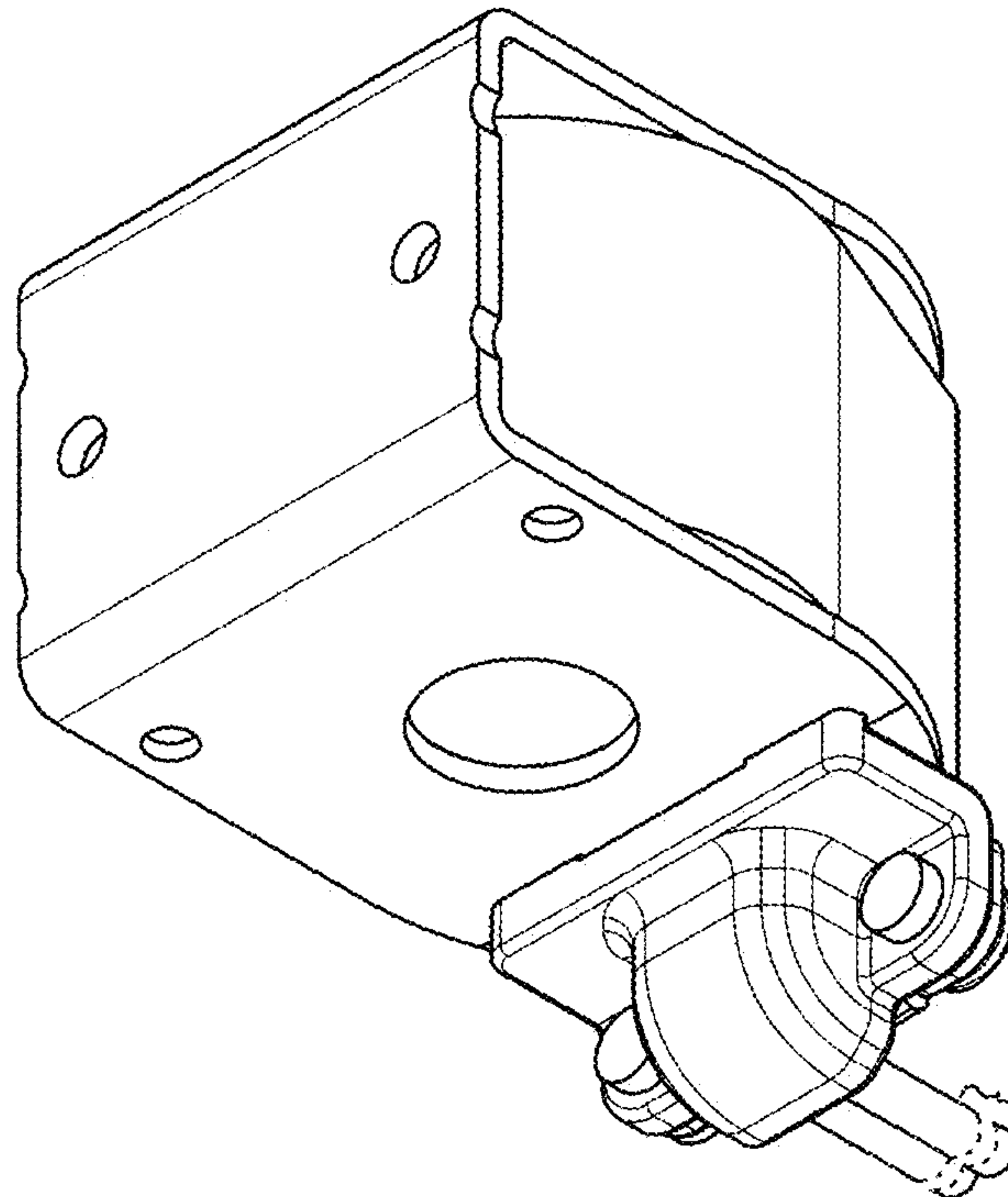


FIG. 10



UNITED STATES PATENT AND TRADEMARK OFFICE
CERTIFICATE OF CORRECTION

PATENT NO. : D875,889 S
APPLICATION NO. : 29/689854
DATED : February 18, 2020
INVENTOR(S) : Murata et al.

Page 1 of 1

It is certified that error appears in the above-identified patent and that said Letters Patent is hereby corrected as shown below:

On the Title Page

Item (30), Line 3, delete "2017-1572" and insert --2017-15792--

Signed and Sealed this
Fourth Day of August, 2020



Andrei Iancu
Director of the United States Patent and Trademark Office