



US00D875888S

(12) **United States Design Patent** (10) **Patent No.:** **US D875,888 S**
Carpiaux et al. (45) **Date of Patent:** **** Feb. 18, 2020**

(54) **COMBINATION EYEWASH AND FAUCET**

Primary Examiner — Robert A Delehanty

(71) Applicant: **Bradley Fixtures Corporation**,
Menomonee Falls, WI (US)

(74) *Attorney, Agent, or Firm* — Foley & Lardner LLP

(72) Inventors: **Douglas J. Carpiaux**, Milwaukee, WI
(US); **Scott H. Micoley**, Plymouth, WI
(US)

(57) **CLAIM**

We claim the ornamental design for a combination eyewash and faucet, as shown and described.

(73) Assignee: **Bradley Fixtures Corporation**,
Menomonee Falls, WI (US)

DESCRIPTION

(**) Term: **15 Years**

(21) Appl. No.: **29/669,058**

(22) Filed: **Nov. 5, 2018**

Related U.S. Application Data

(62) Division of application No. 29/607,253, filed on Jun. 12, 2017, now abandoned.

(51) **LOC (12) Cl.** **23-01**

(52) **U.S. Cl.**
USPC **D23/238**

(58) **Field of Classification Search**
USPC D23/238–243, 249–250, 252, 254–255,
D23/257; D8/307–308

(Continued)

(56) **References Cited**

U.S. PATENT DOCUMENTS

1,079,441 A 11/1913 Roethlisberger
1,354,838 A 10/1920 Perkins

(Continued)

FOREIGN PATENT DOCUMENTS

WO WO-2008/067879 A1 6/2008

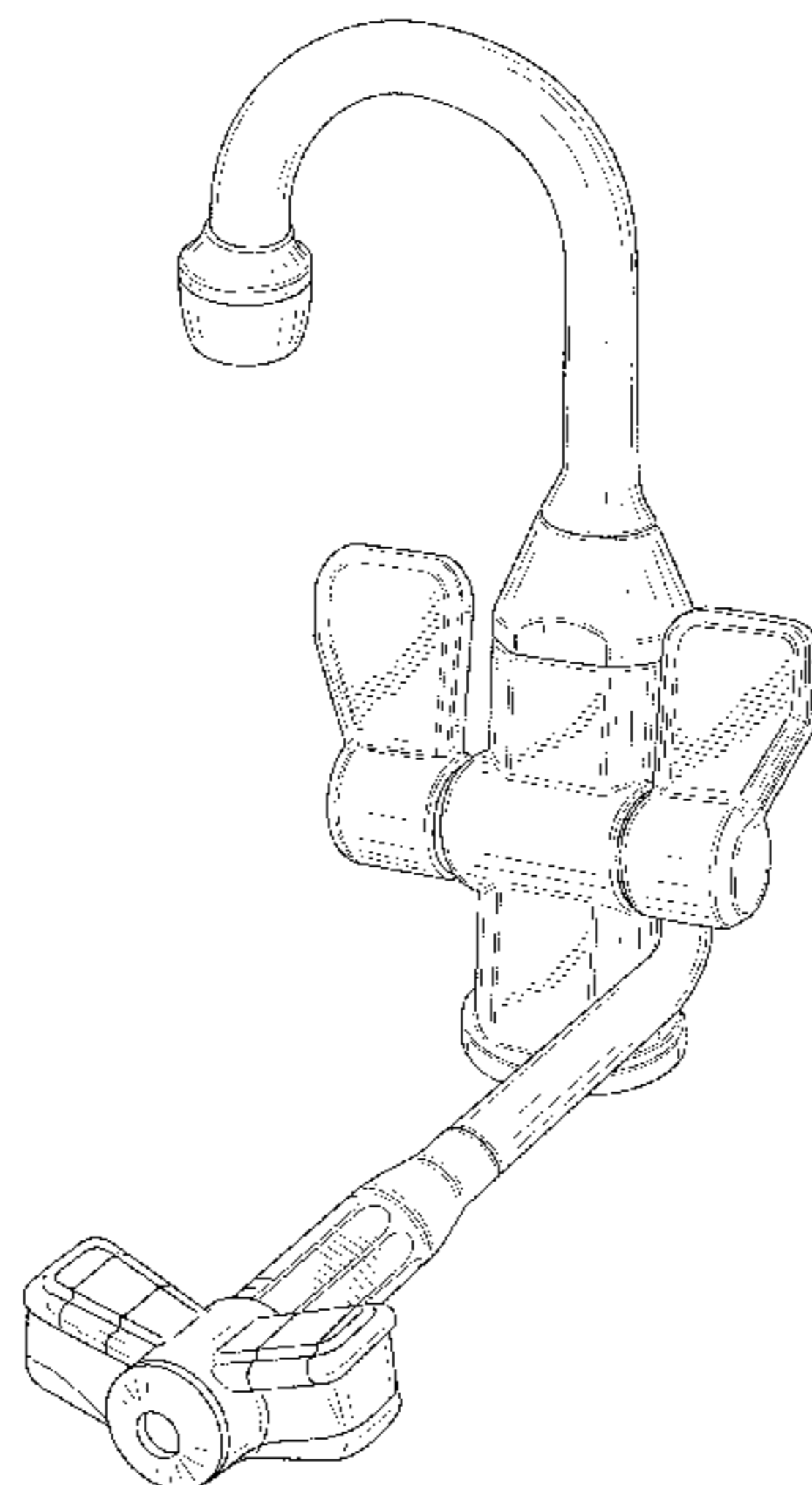
OTHER PUBLICATIONS

Speakman Eyewash-Faucets, located via website <http://speakman.com/emergency-equipment/eyewash-faucet> on Jun. 12, 2017, 2 pps.

(Continued)

FIG. 1 is a front, right, perspective view of the claimed design with the eyewash and faucet in a first position of a plurality of positions;
FIG. 2 is a front side view of the claimed design of FIG. 1;
FIG. 3 is a rear side view of the claimed design of FIG. 1;
FIG. 4 is a right side view of the claimed design of FIG. 1;
FIG. 5 is a left side view of the claimed design of FIG. 1;
FIG. 6 is a top view of the claimed design of FIG. 1;
FIG. 7 is a front, right, perspective view of the claimed design of FIG. 1 with the eyewash and faucet in a second position of a plurality of positions;
FIG. 8 is a front side view of the claimed design of FIG. 7;
FIG. 9 is a rear side view of the claimed design of FIG. 7;
FIG. 10 is a right side view of the claimed design of FIG. 7;
FIG. 11 is a left side view of the claimed design of FIG. 7;
FIG. 12 is a top view of the claimed design of FIG. 7;
FIG. 13 is a front, right, perspective view of the claimed design of FIG. 1 with the eyewash and faucet in a third position of a plurality of positions;
FIG. 14 is a front side view of the claimed design of FIG. 13;
FIG. 15 is a rear side view of the claimed design of FIG. 13;
FIG. 16 is a right side view of the claimed design of FIG. 13;
FIG. 17 is a left side view of the claimed design of FIG. 13;
and,
FIG. 18 is a top view of the claimed design of FIG. 13.
The ornamental design which is claimed is shown in solid lines in the drawings: The broken lines in the drawings are for illustrative purposes only and form no part of the claimed design. Broken away symbols having a jagged element show that no particular length or width of the portion is claimed. Oblique lines show a transparent, reflective, or shiny surface, and not surface ornamentation.

1 Claim, 18 Drawing Sheets



(58) **Field of Classification Search**
 CPC A61H 35/02; A61H 2033/012; Y10T
 137/9464
 See application file for complete search history.

6,385,794 B1 * 5/2002 Miedzius A61H 35/02
 239/16
 6,520,431 B2 2/2003 Donovan
 6,611,972 B2 * 9/2003 Underbrink E03C 1/04
 4/619
 6,782,568 B2 * 8/2004 Novak A61H 35/02
 239/16
 D543,827 S * 6/2007 Citterio D8/308
 7,552,747 B1 6/2009 Sargsyan
 7,997,513 B2 8/2011 Chen et al.
 D706,399 S * 6/2014 Yang D23/252
 9,492,348 B2 11/2016 Novak et al.
 9,855,189 B2 * 1/2018 Eveleigh A61H 35/02
 2002/0175226 A1 11/2002 Donovan
 2012/0096639 A1 4/2012 Stanley et al.

(56) **References Cited**
 U.S. PATENT DOCUMENTS

1,524,484 A 1/1925 Lutz
 2,635,006 A 4/1953 Richmond
 2,999,249 A 9/1961 Logan et al.
 3,925,829 A 12/1975 Bost
 4,688,276 A 8/1987 Allison et al.
 4,901,927 A 2/1990 Valdivia
 4,975,993 A 12/1990 Black et al.
 D330,071 S * 10/1992 Zerlia D23/241
 5,170,518 A 12/1992 Warriner
 5,530,972 A 7/1996 Tanner
 D373,815 S * 9/1996 Chaney D23/241
 5,740,569 A 4/1998 Gurries, II et al.
 D437,394 S * 2/2001 Mark D23/238
 6,227,456 B1 5/2001 Colman

OTHER PUBLICATIONS

International Search Report and Written Opinion for International
 Application No. PCT/US2018/036933, dated Nov. 23, 2018, 23
 pages.

* cited by examiner

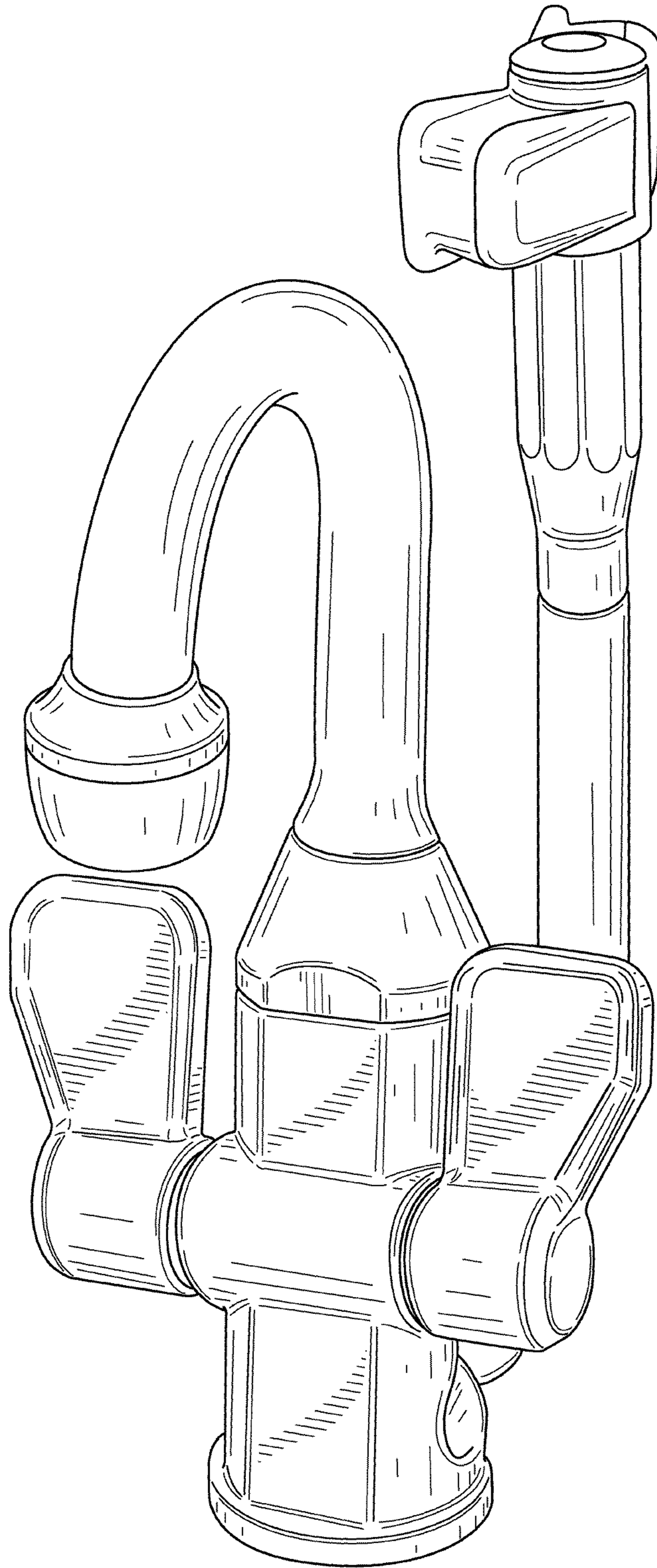


FIG. 1

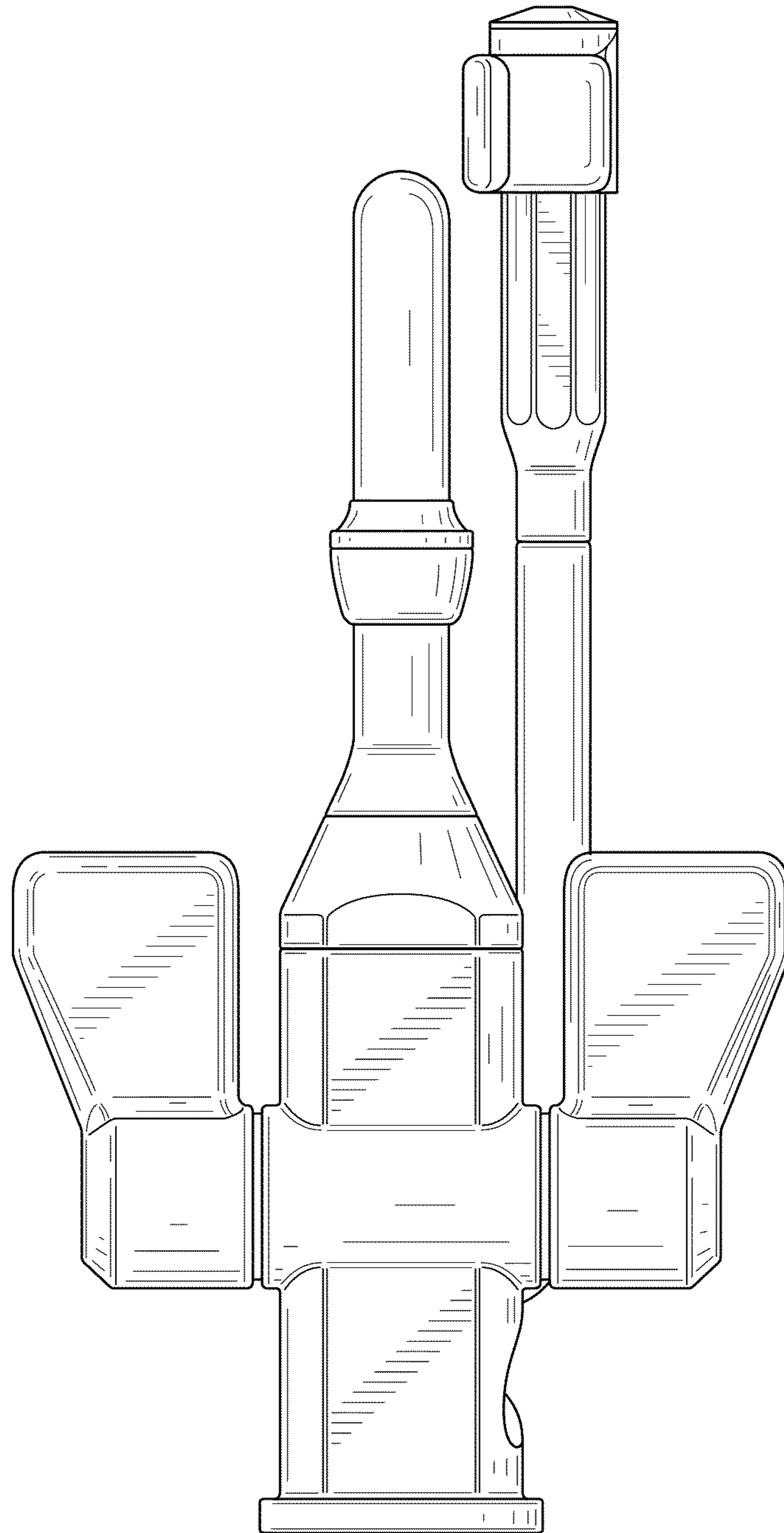


FIG. 2

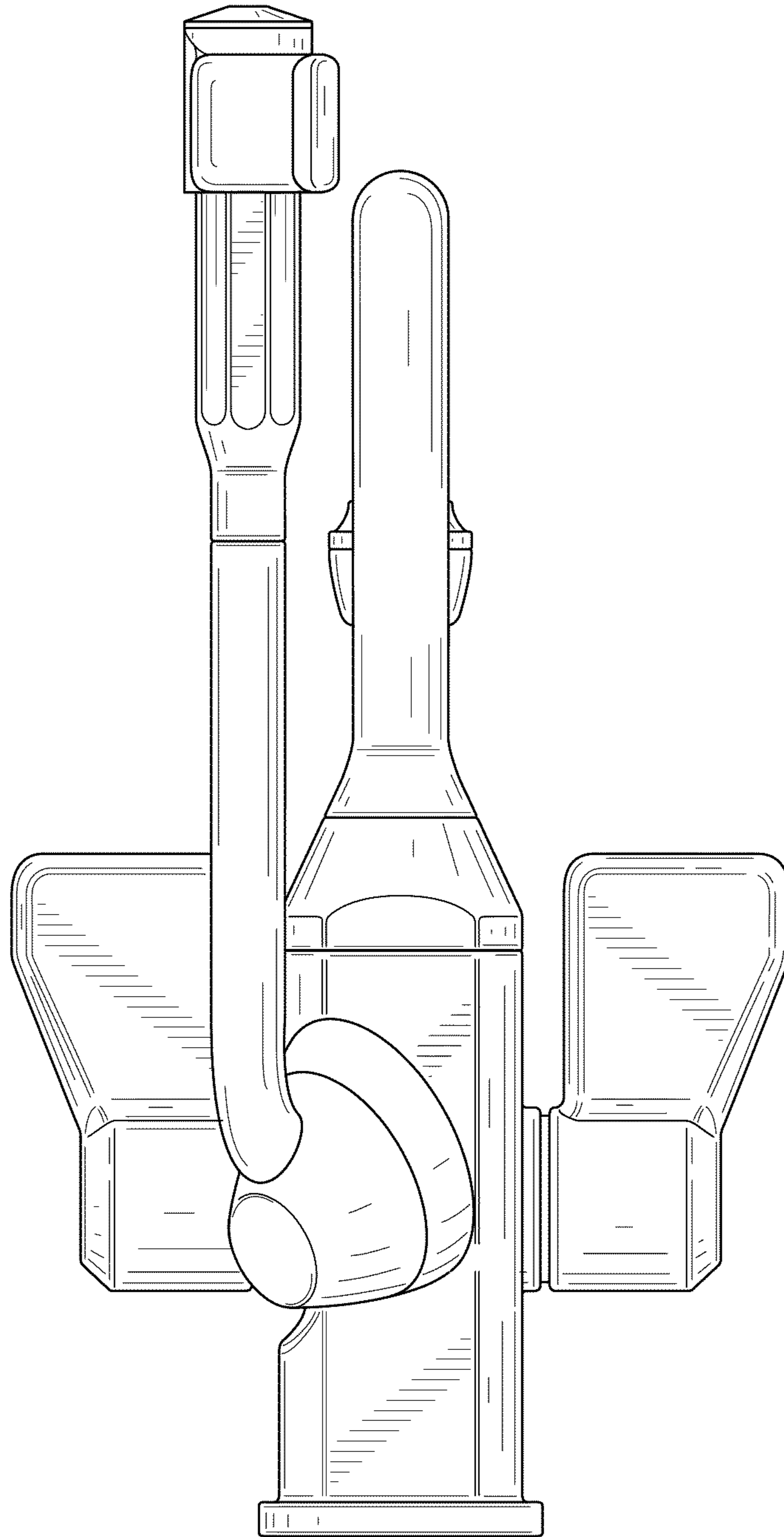


FIG. 3

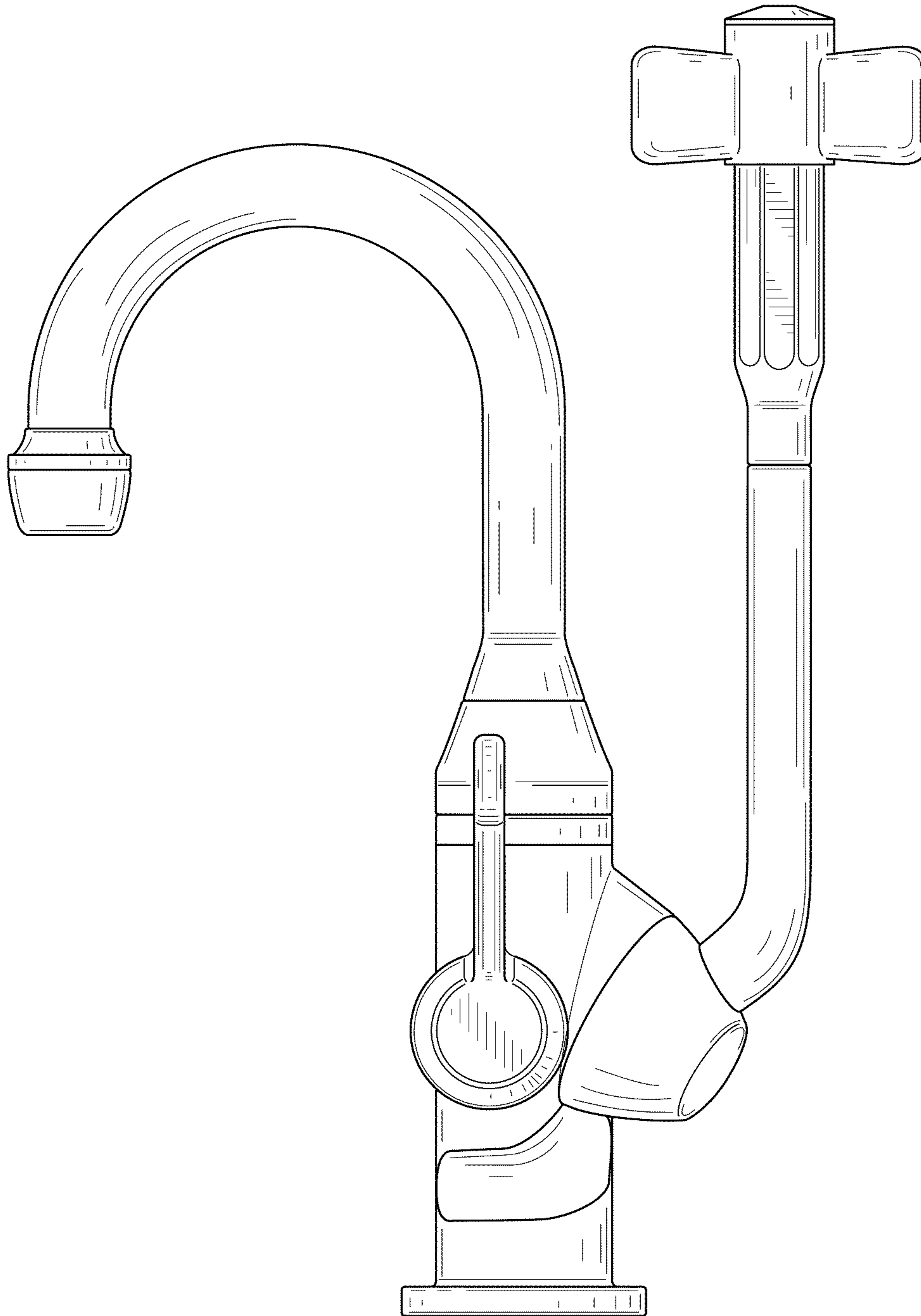


FIG. 4

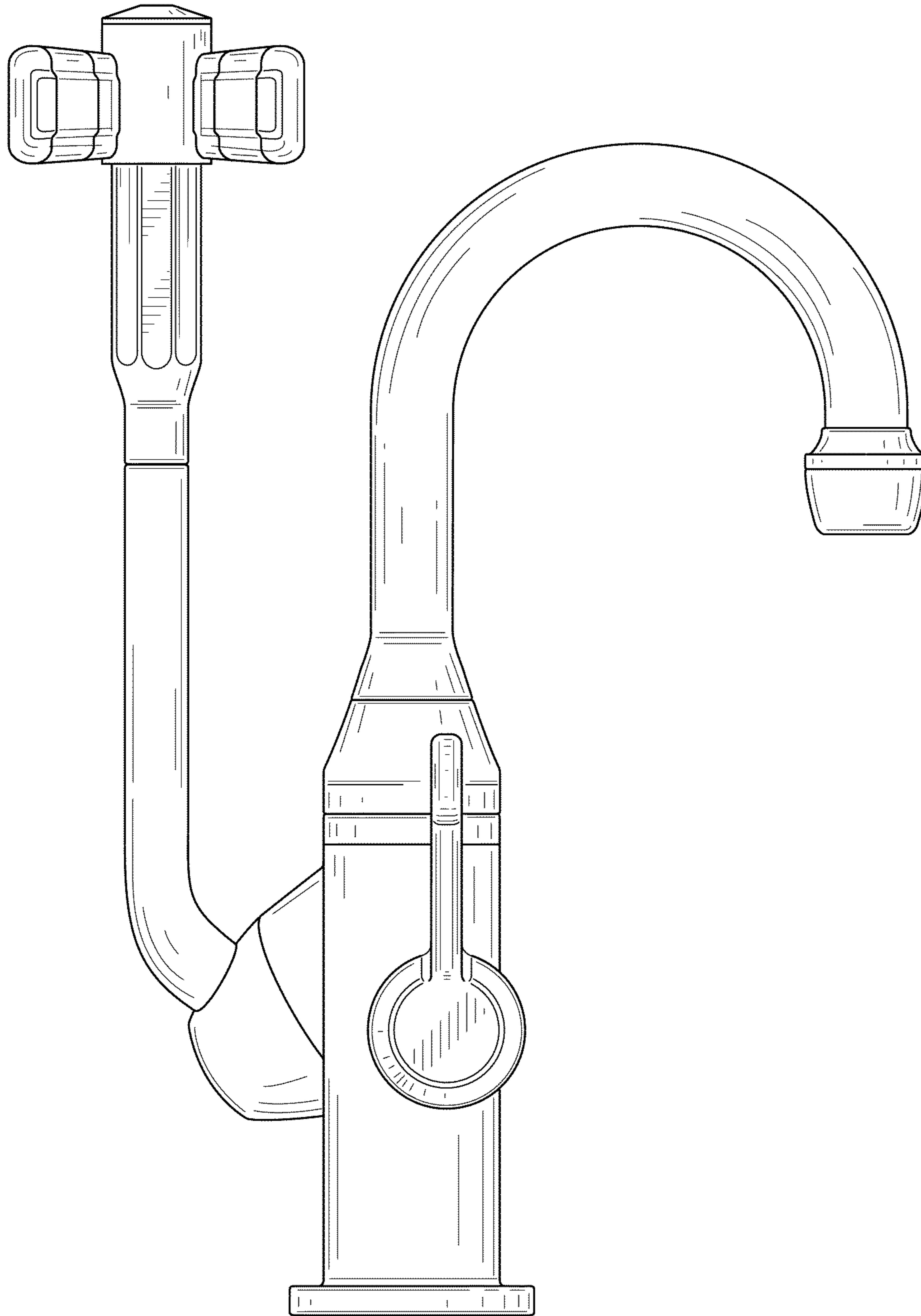


FIG. 5

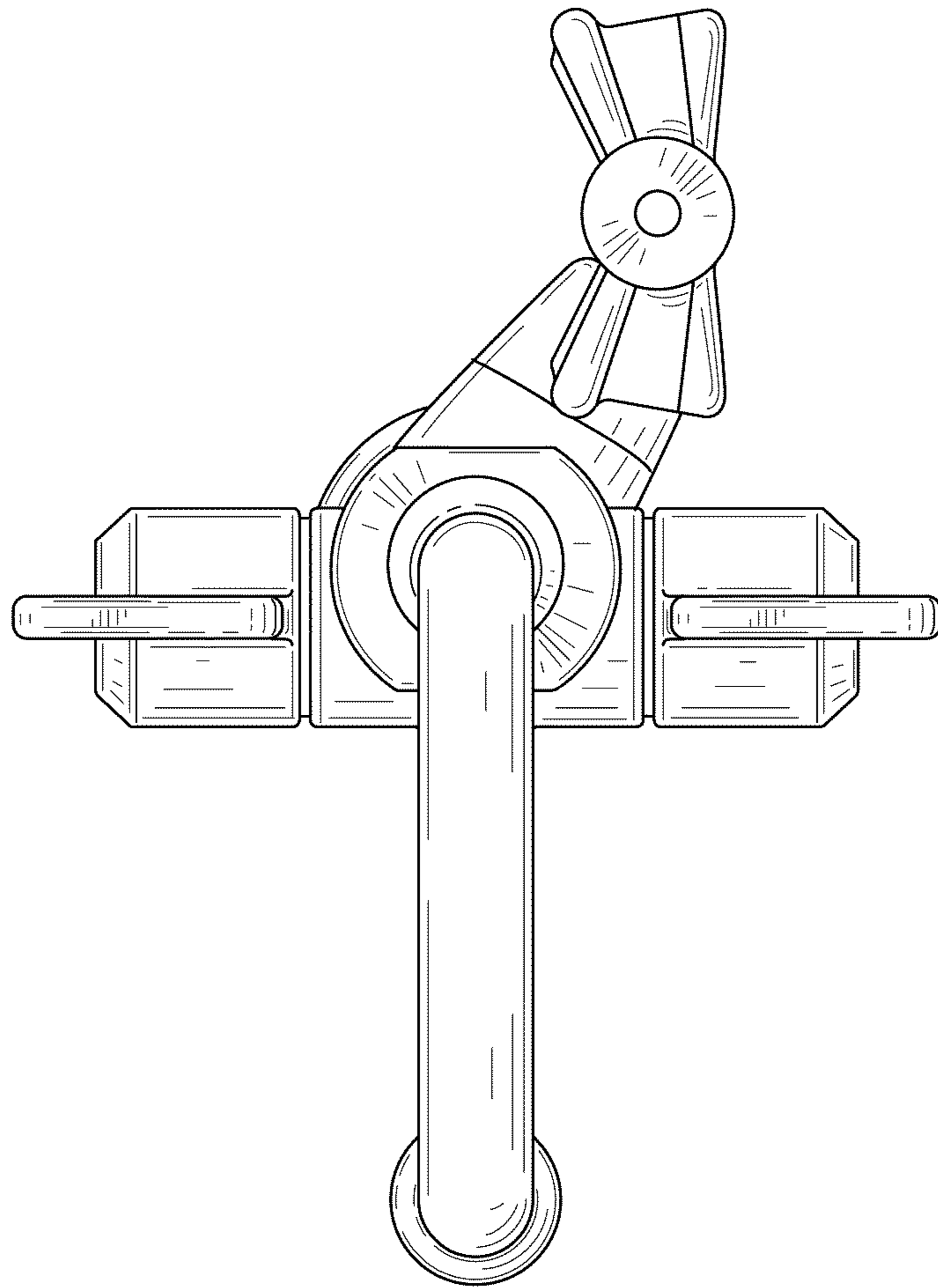


FIG. 6

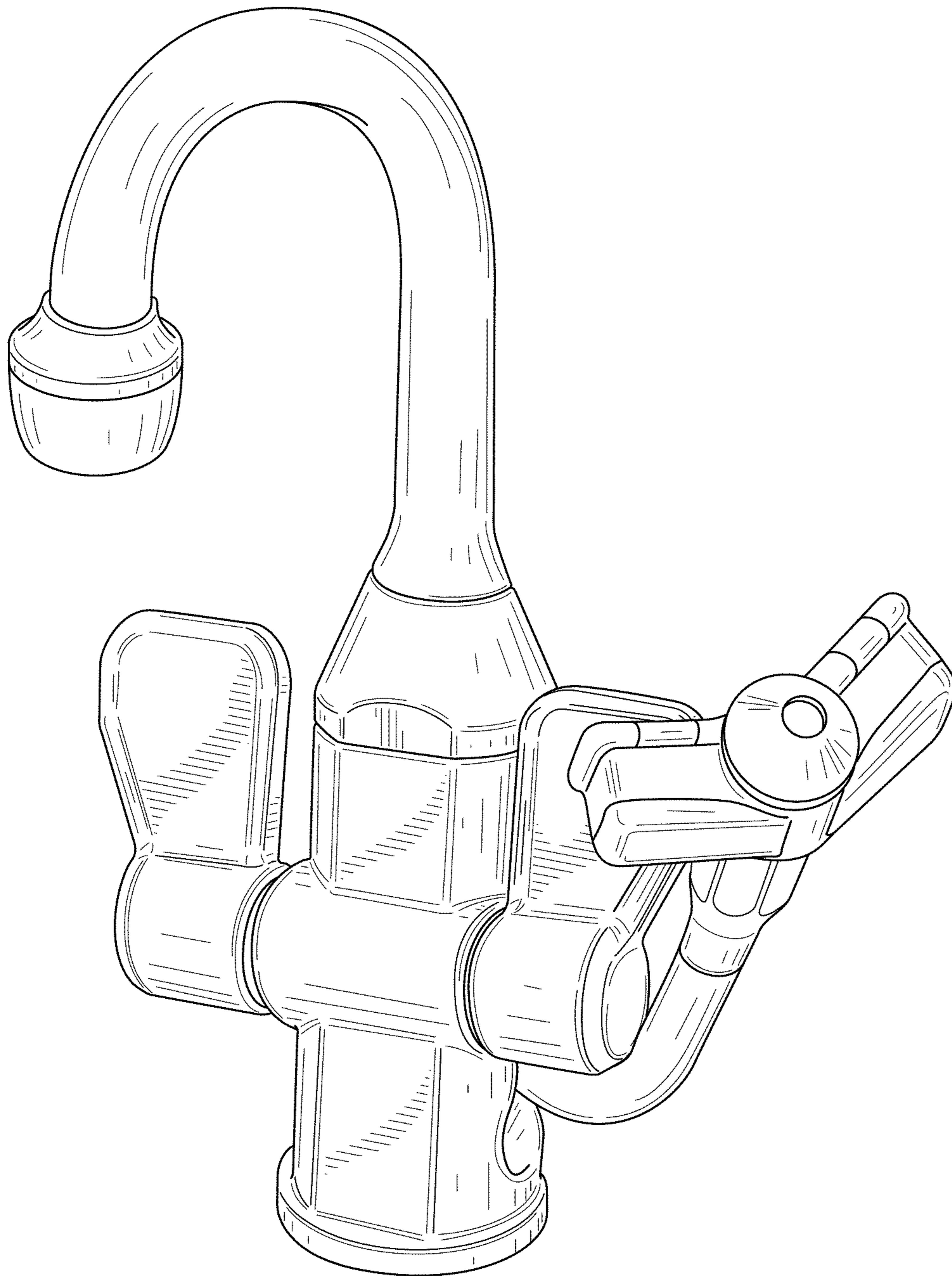


FIG. 7

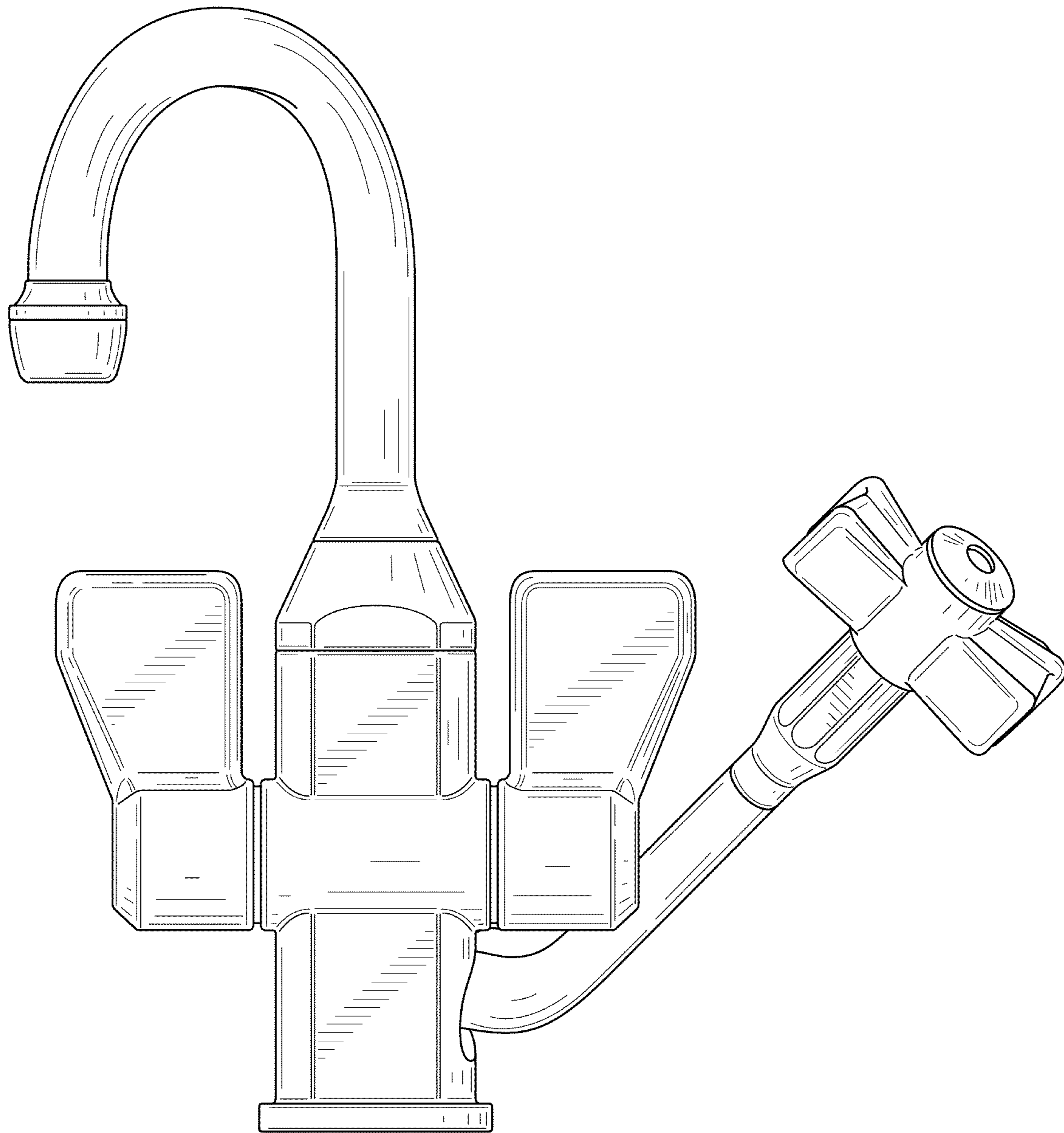


FIG. 8

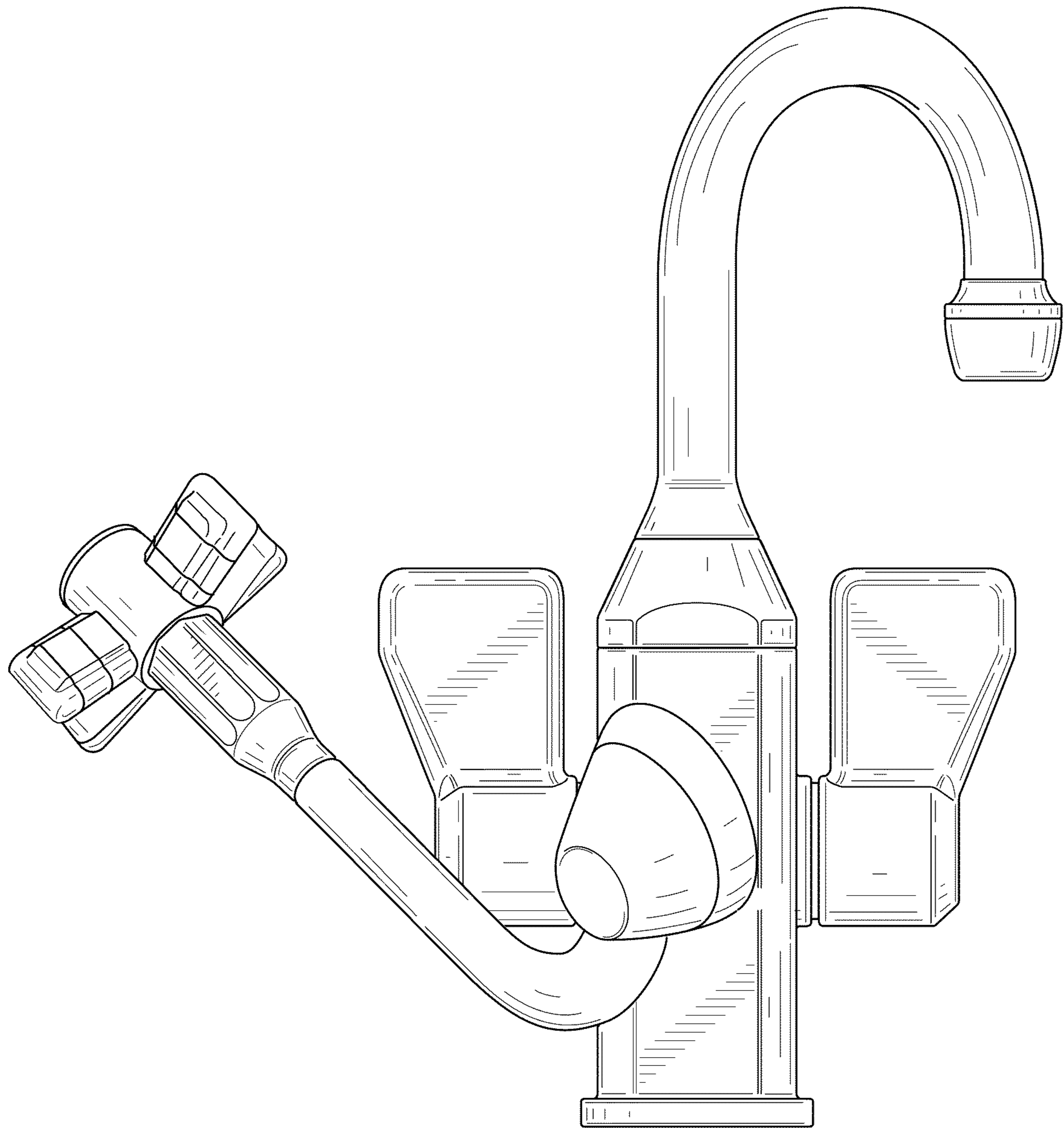


FIG. 9

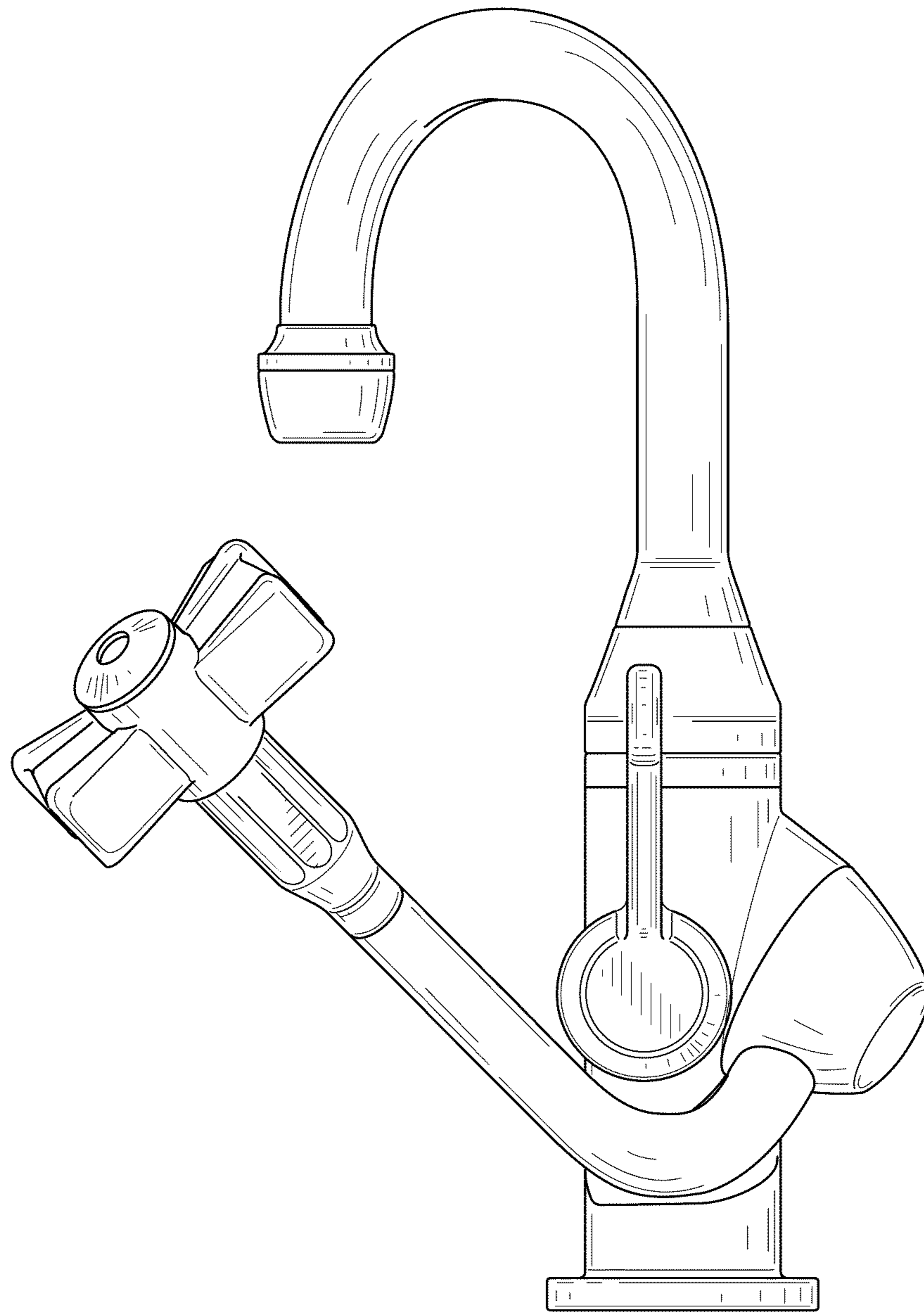


FIG. 10

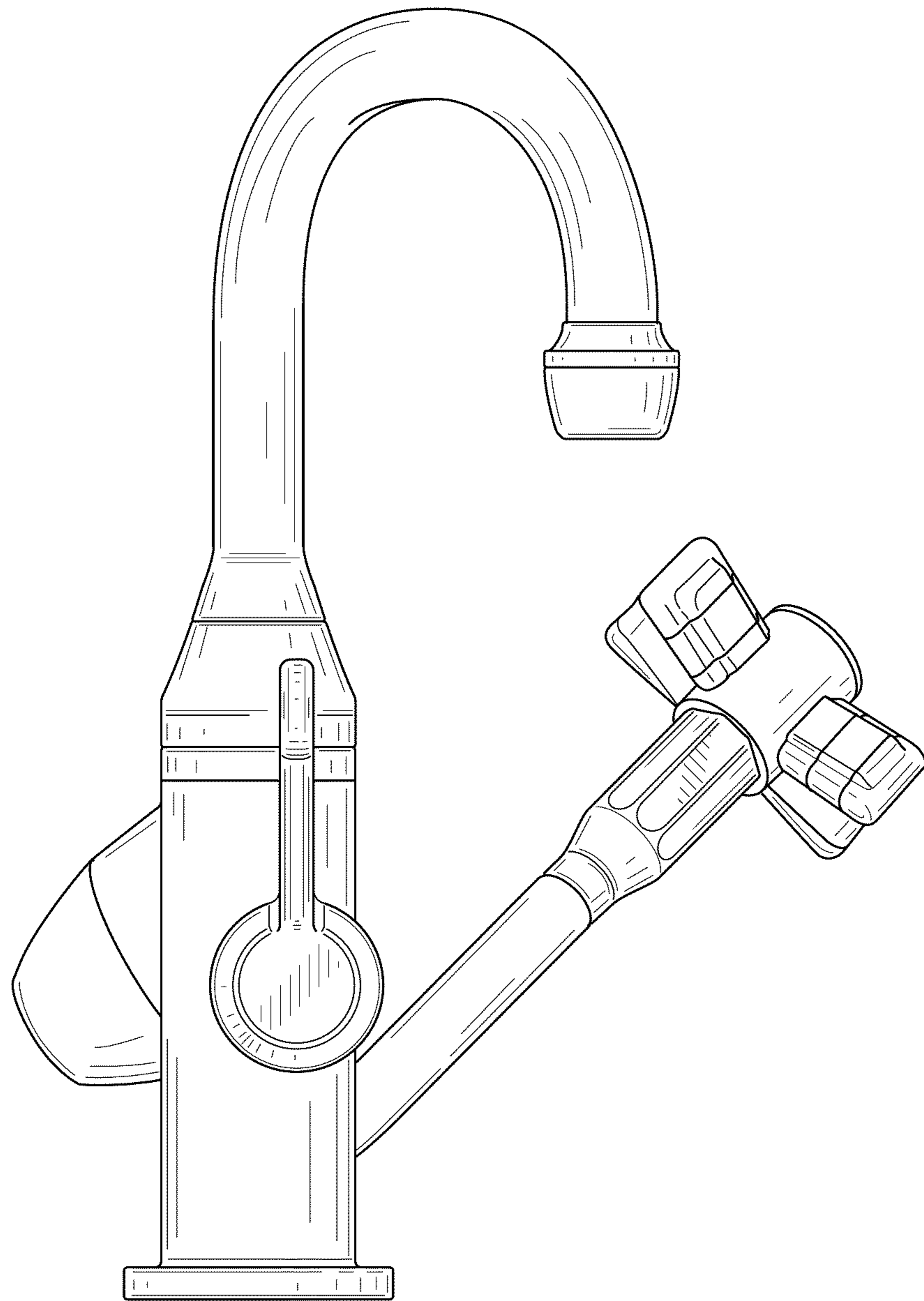


FIG. 11

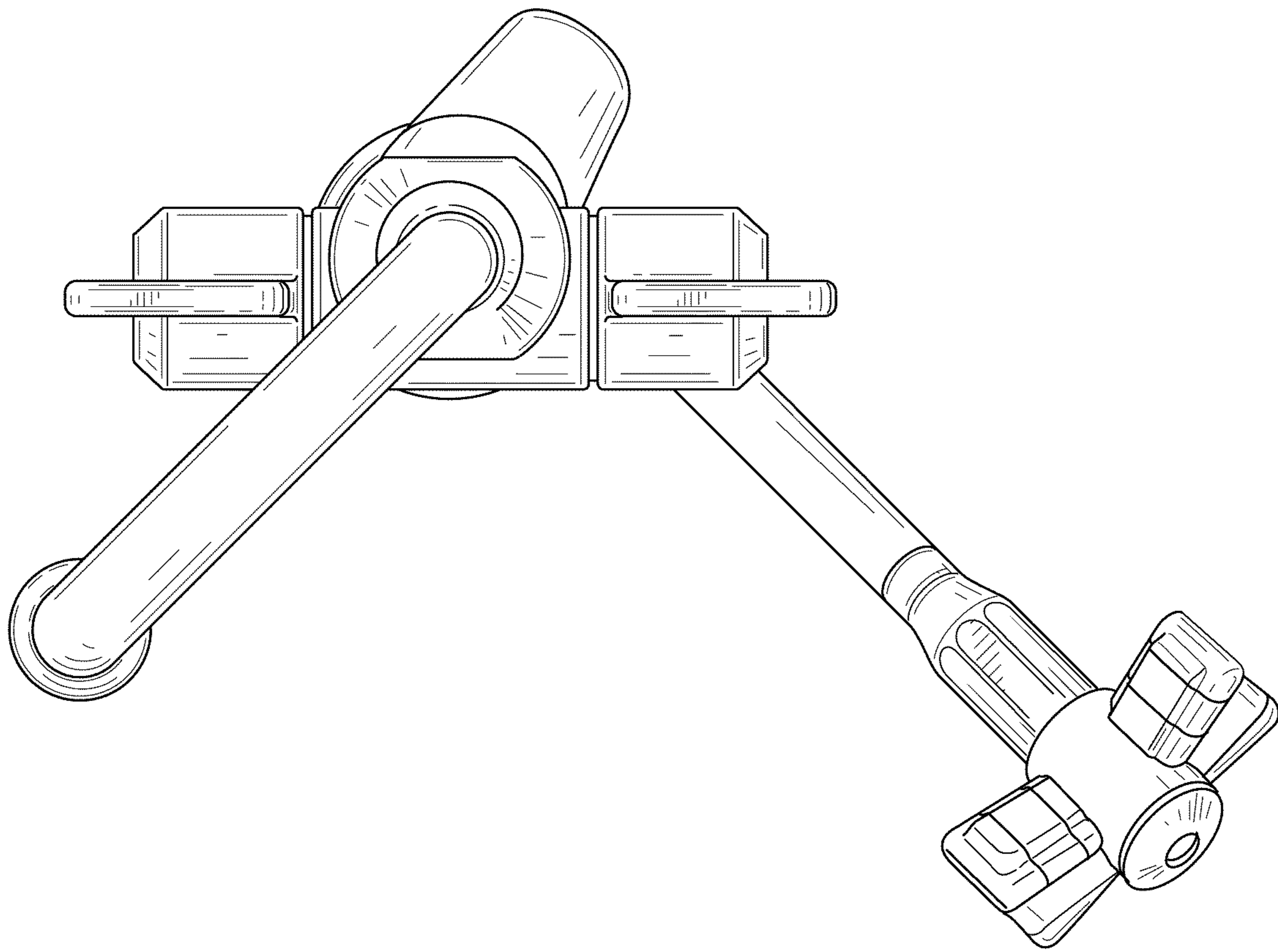


FIG. 12

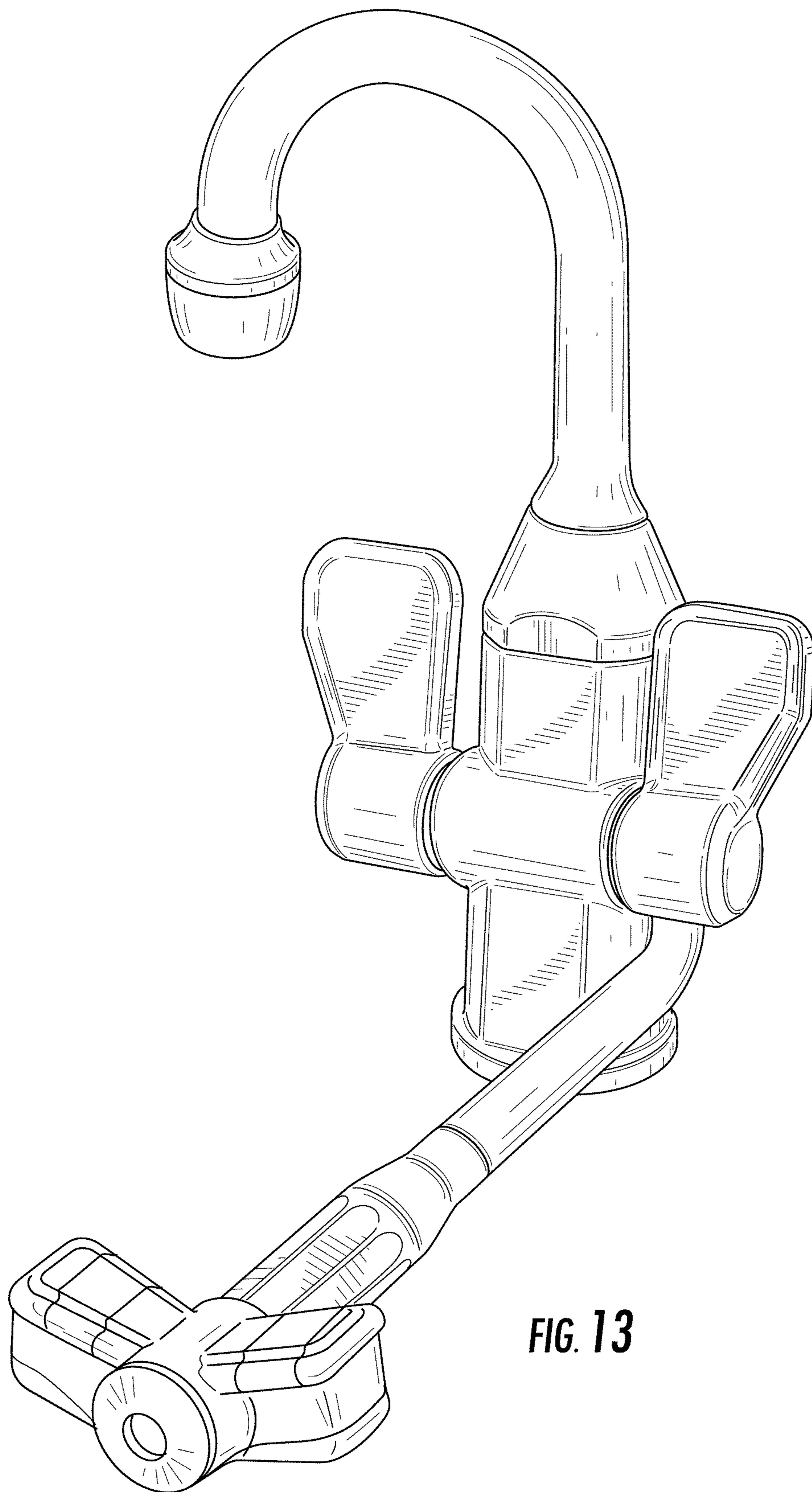


FIG. 13

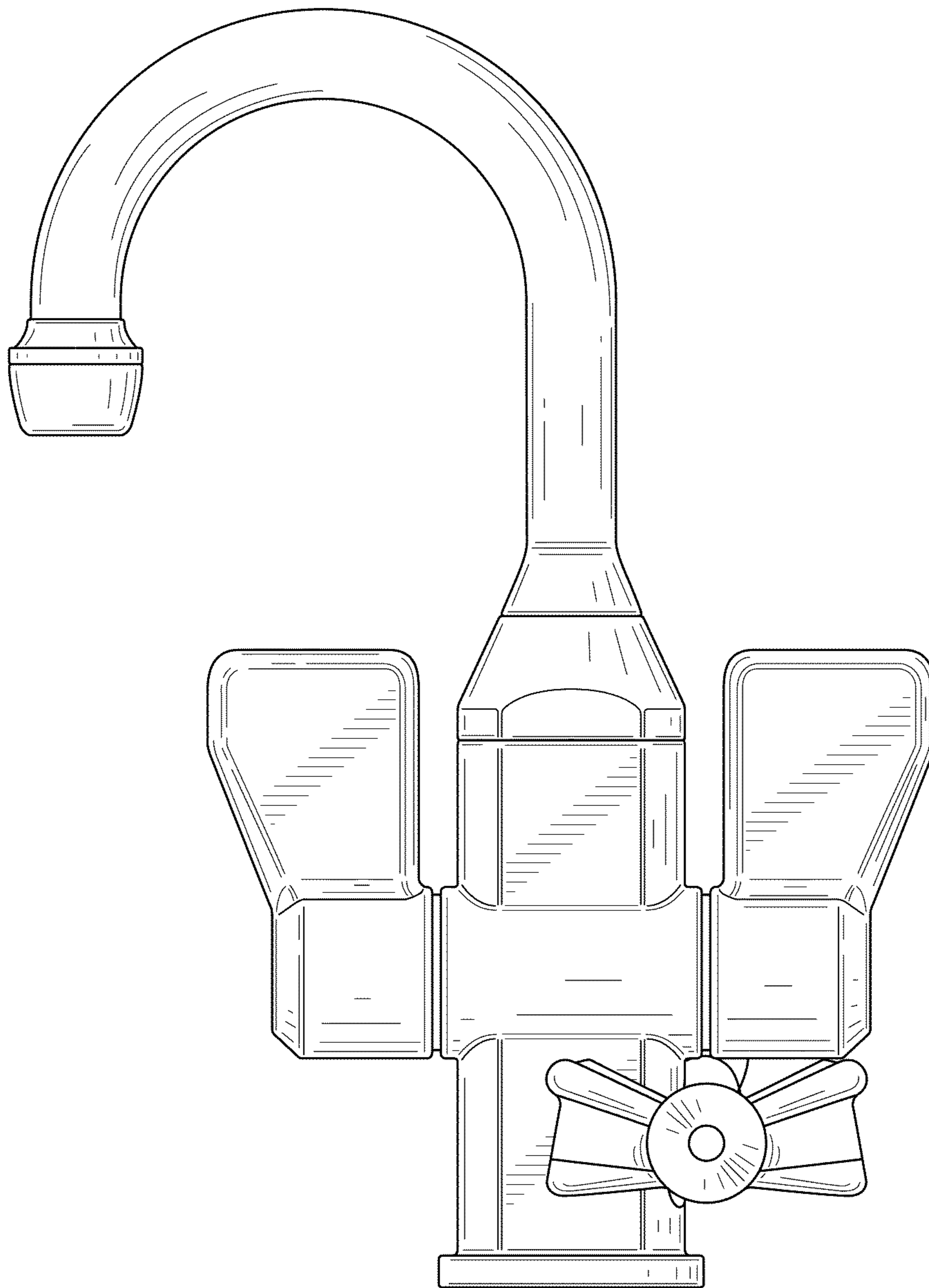


FIG. 14

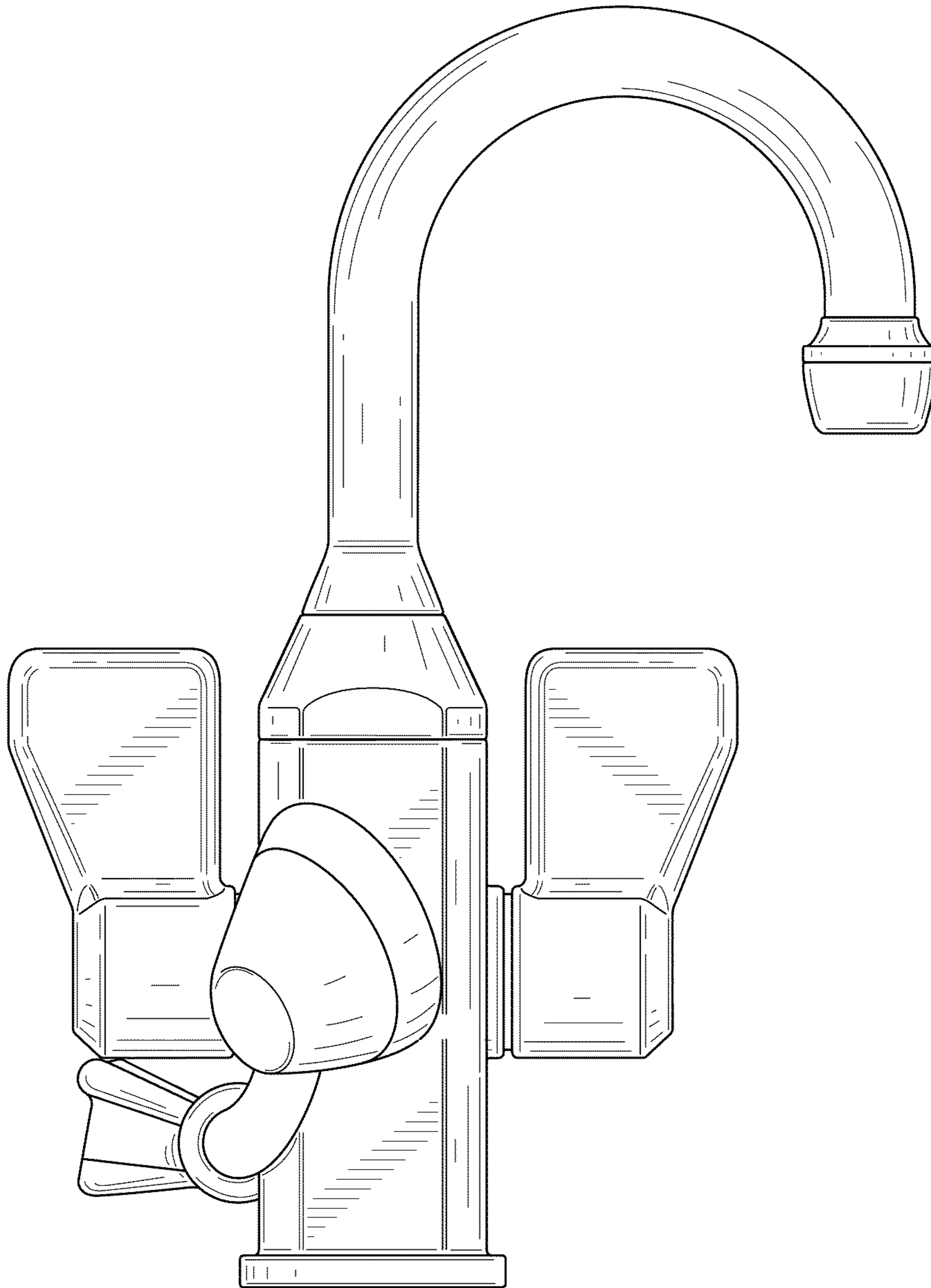


FIG. 15

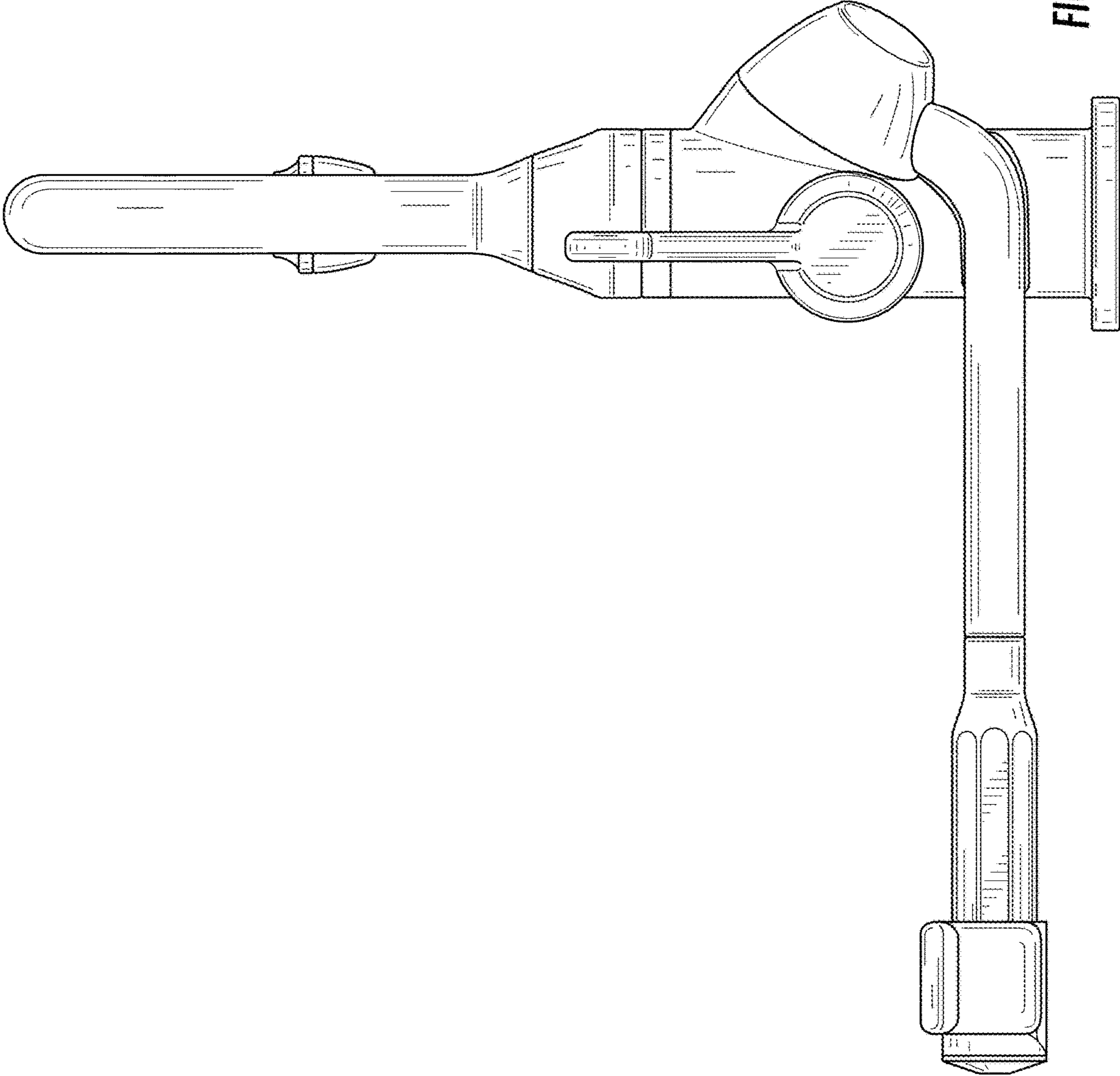


FIG. 16

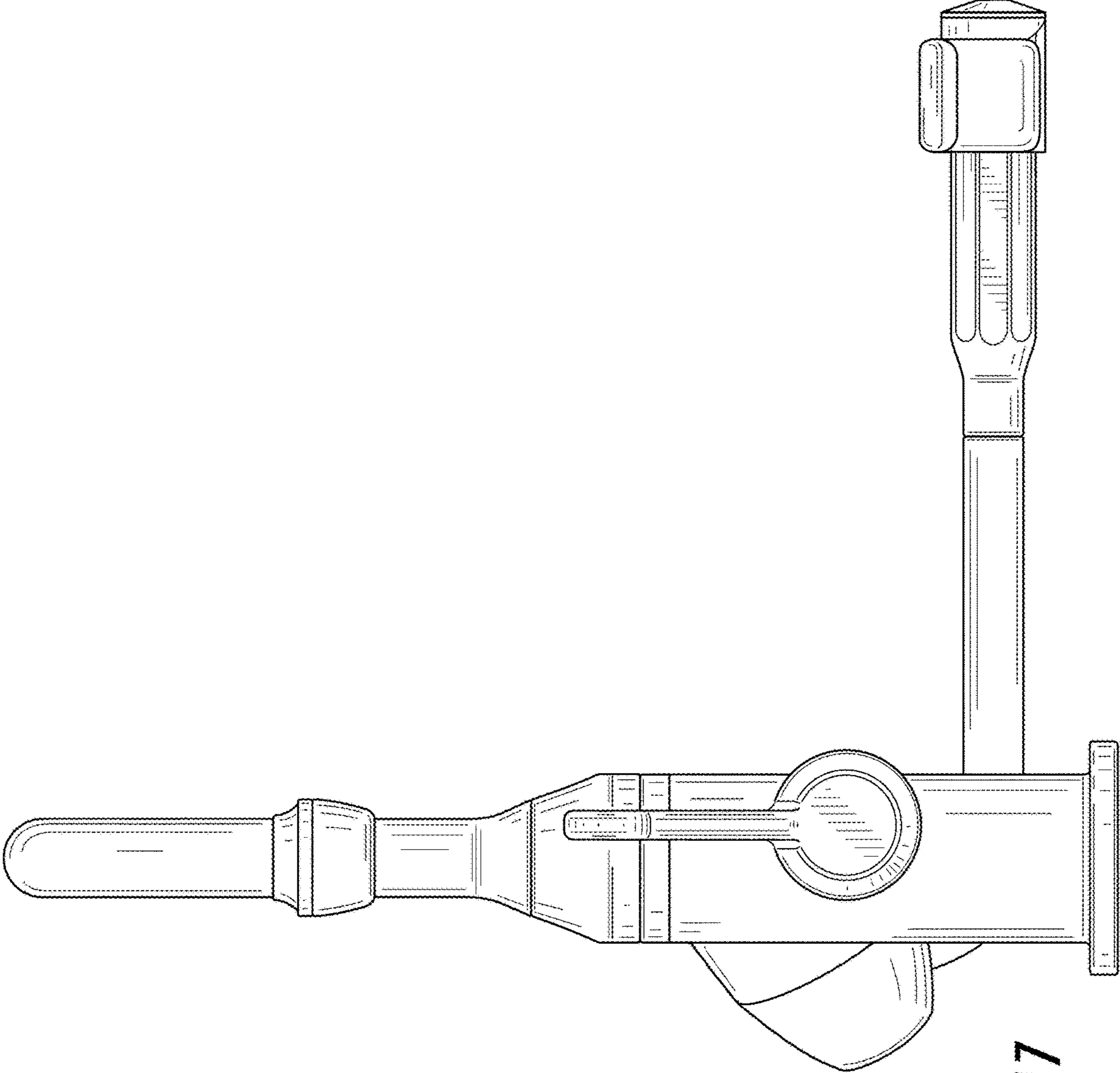


FIG. 17

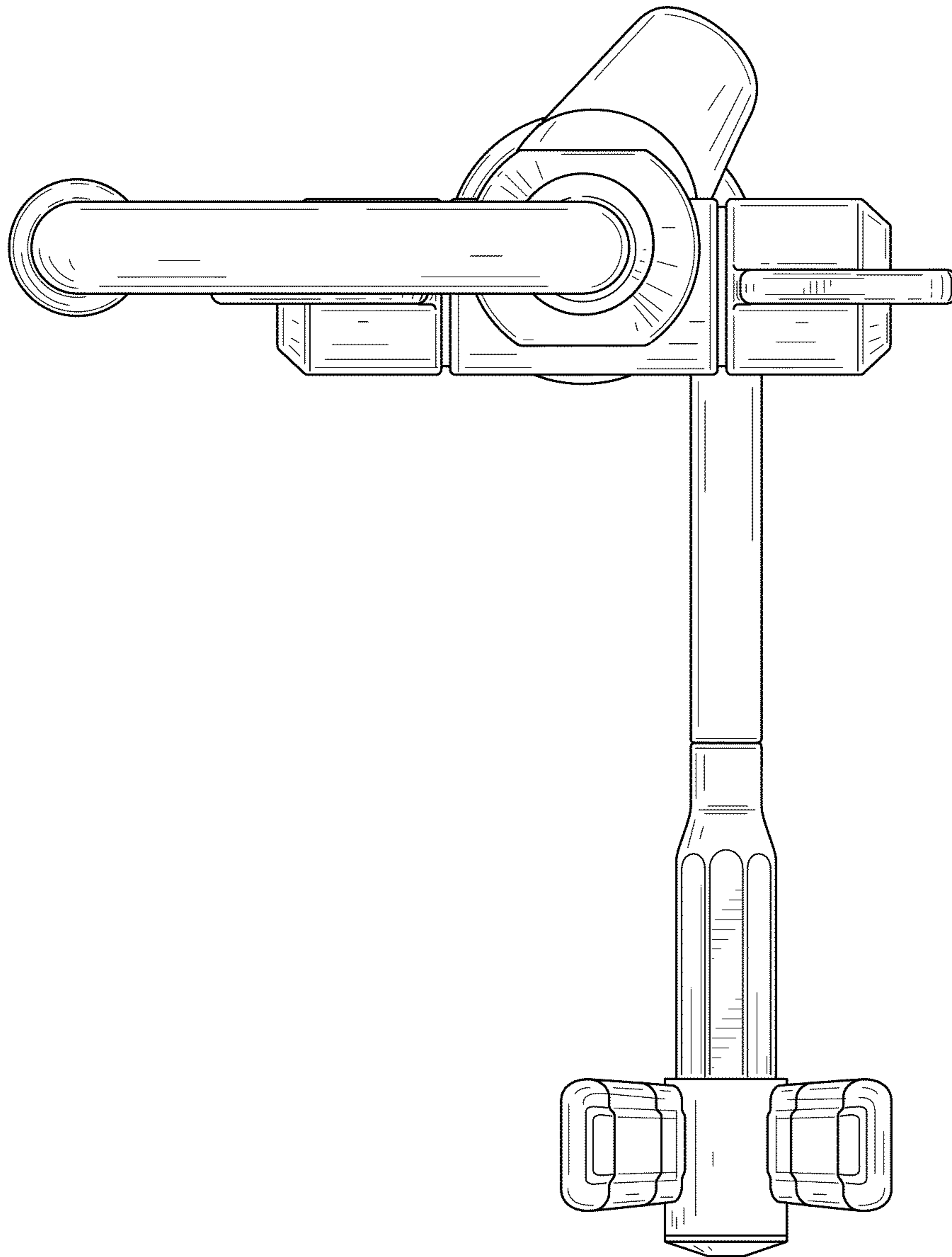


FIG. 18