



US00D875887S

(12) **United States Design Patent**
Nishimura

(10) **Patent No.:** **US D875,887 S**

(45) **Date of Patent:** **** Feb. 18, 2020**

(54) **SWITCHING VALVE**

FOREIGN PATENT DOCUMENTS

(71) Applicant: **SMC CORPORATION**, Tokyo (JP)

JP D1308559 S 8/2007
JP D1308560 S 8/2007

(72) Inventor: **Akiho Nishimura**, Moriya (JP)

(Continued)

(73) Assignee: **SMC CORPORATION**, Tokyo (JP)

Primary Examiner — Gino Colan

(**) Term: **15 Years**

(74) *Attorney, Agent, or Firm* — Birch, Stewart, Kolasch & Birch, LLP

(21) Appl. No.: **29/702,822**

(57) **CLAIM**

(22) Filed: **Aug. 22, 2019**

The ornamental design for a switching valve, as shown and described.

Related U.S. Application Data

DESCRIPTION

(62) Division of application No. 29/623,816, filed on Oct. 27, 2017.

FIG. 1 is a front, top and left side perspective view of a switching valve showing a first embodiment of my new design;

(30) **Foreign Application Priority Data**

Apr. 28, 2017 (CN) 2017 3 0152465

FIG. 2 is a rear, bottom and right side perspective view thereof;

(51) **LOC (12) Cl.** **23-01**

FIG. 3 is a front view thereof;

(52) **U.S. Cl.**

FIG. 4 is a rear view thereof;

USPC **D23/235**

FIG. 5 is a top plan view thereof;

(58) **Field of Classification Search**

USPC D23/233–237, 241–249; 251/205, 208, 251/215, 309–310, 311, 63, 63.5; 137/498, 545, 547, 549, 377; D10/85

FIG. 6 is a bottom plan view thereof;

CPC F16K 11/0743; F16K 11/0716

FIG. 7 is a left side view thereof;

See application file for complete search history.

FIG. 8 is a right side view thereof;

(56) **References Cited**

FIG. 9 is a front, top and left side perspective view of a switching valve showing a second embodiment of my new design;

U.S. PATENT DOCUMENTS

D600,780 S 9/2009 Shishido
D623,271 S 9/2010 Yamada
D640,154 S 6/2011 Okitsu et al.
D652,116 S 1/2012 Fukushima
D667,082 S 9/2012 Fukushima
D667,930 S 9/2012 Yamada
D736,896 S 8/2015 Nishimura
D759,214 S 6/2016 Fugazza

FIG. 10 is a rear, bottom and right side perspective view of FIG. 9;

FIG. 11 is a front view of FIG. 9;

FIG. 12 is a rear view of FIG. 9;

FIG. 13 is a top plan view of FIG. 9;

FIG. 14 is a bottom plan view of FIG. 9;

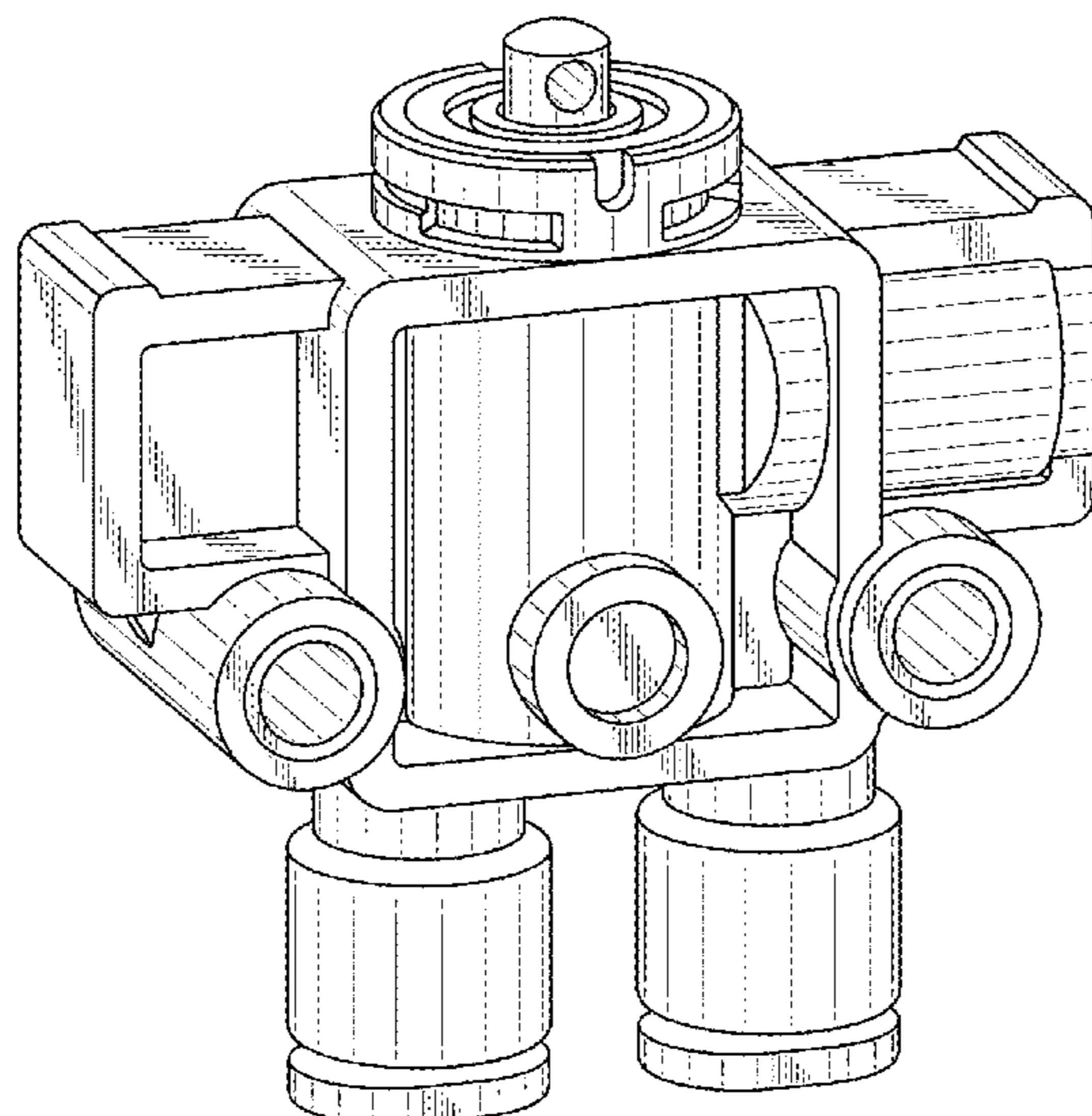
FIG. 15 is a left side view of FIG. 9; and,

FIG. 16 is a right side view of FIG. 9.

The broken lines shown in the figures are included for the purpose of illustrating portions of the switching valve and form no part of the claimed design.

(Continued)

1 Claim, 16 Drawing Sheets



(56)

References Cited

U.S. PATENT DOCUMENTS

D762,284 S 7/2016 Chiba et al.
10,012,320 B2 7/2018 Cutler et al.
D844,751 S 4/2019 Yamada et al.

FOREIGN PATENT DOCUMENTS

JP D1308570 S 8/2007
JP D1323758 S 3/2008
JP D1479961 S 9/2013
JP D1480234 S 9/2013

FIG. 1

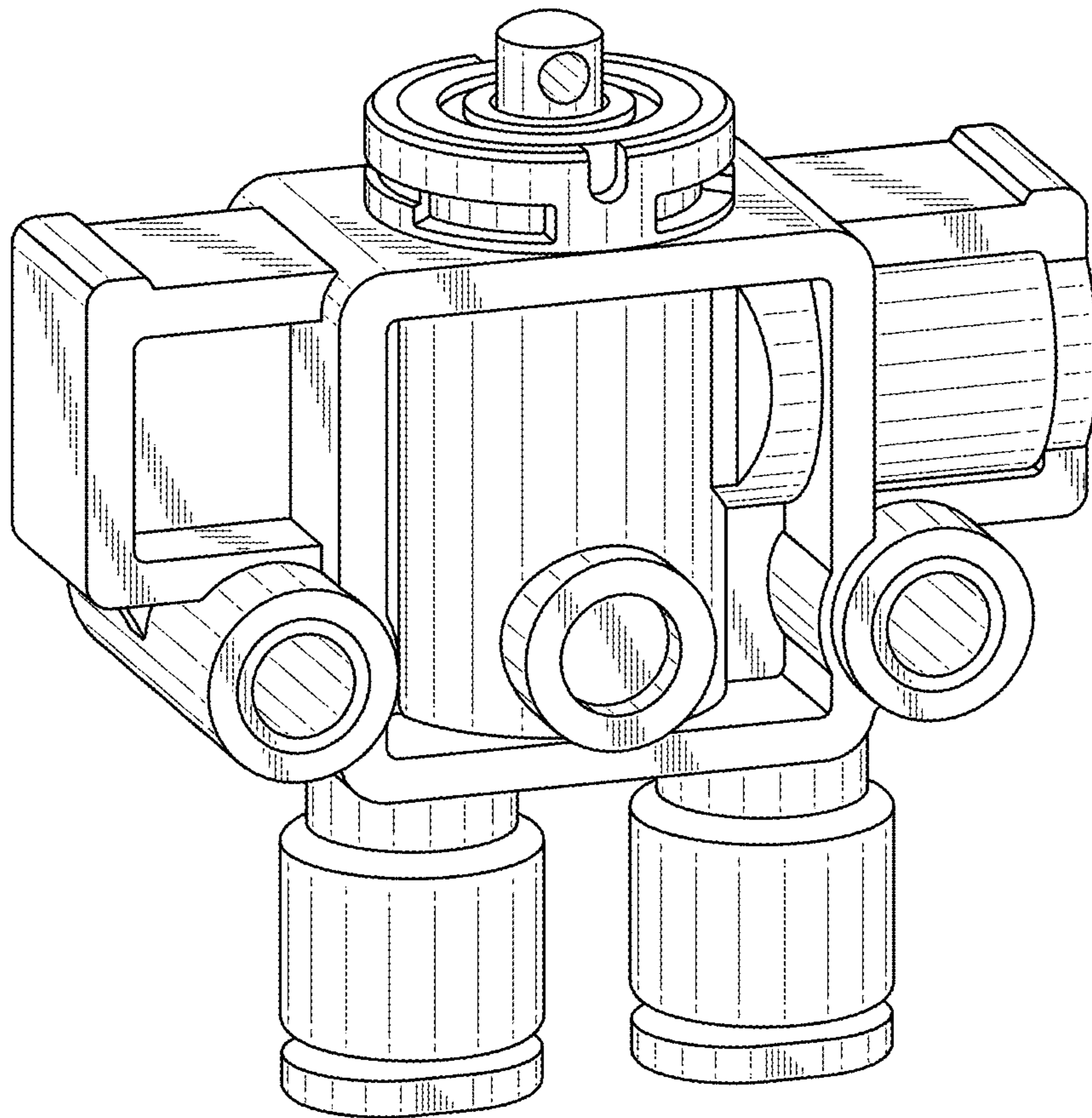


FIG. 2

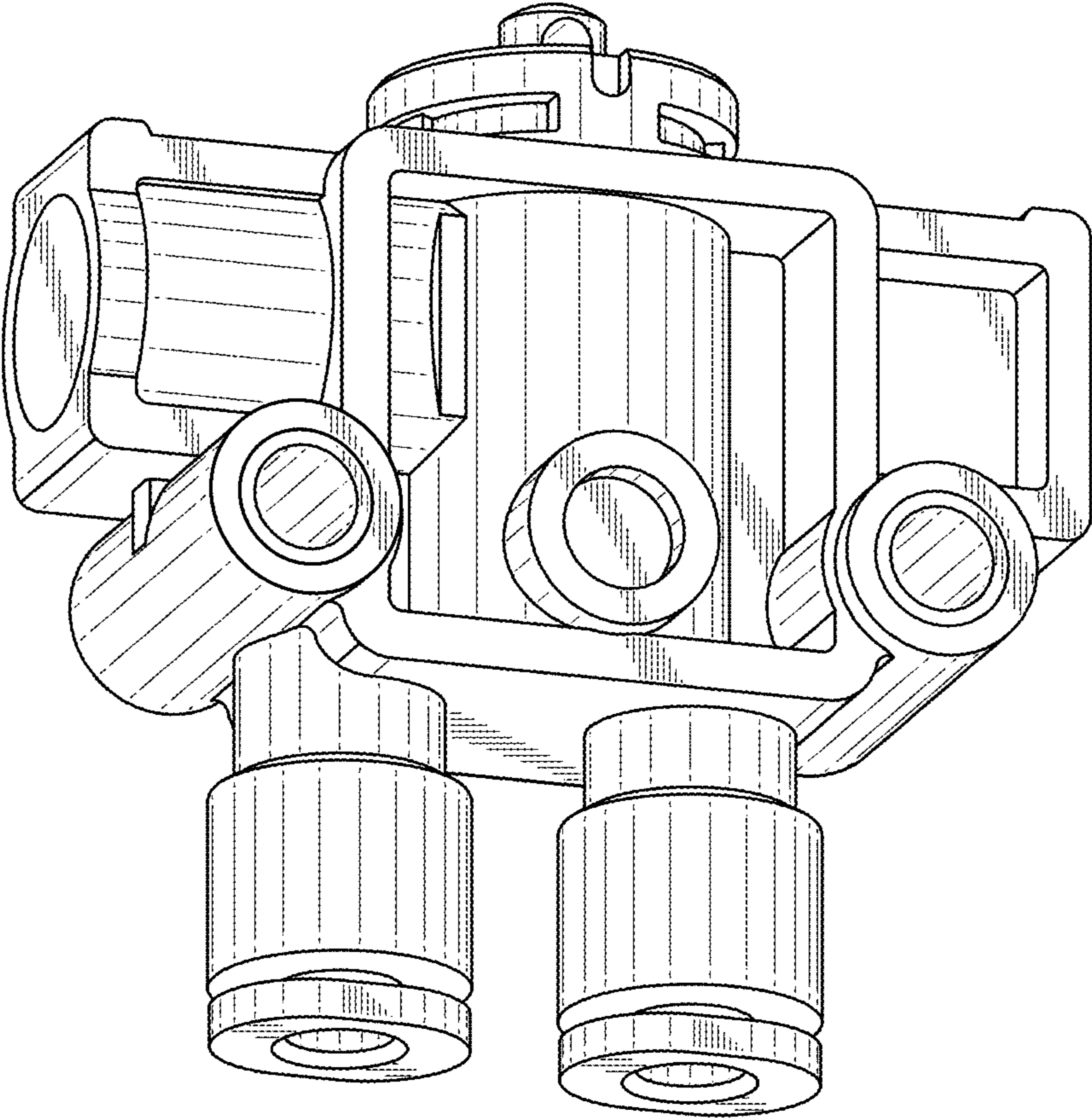


FIG. 3

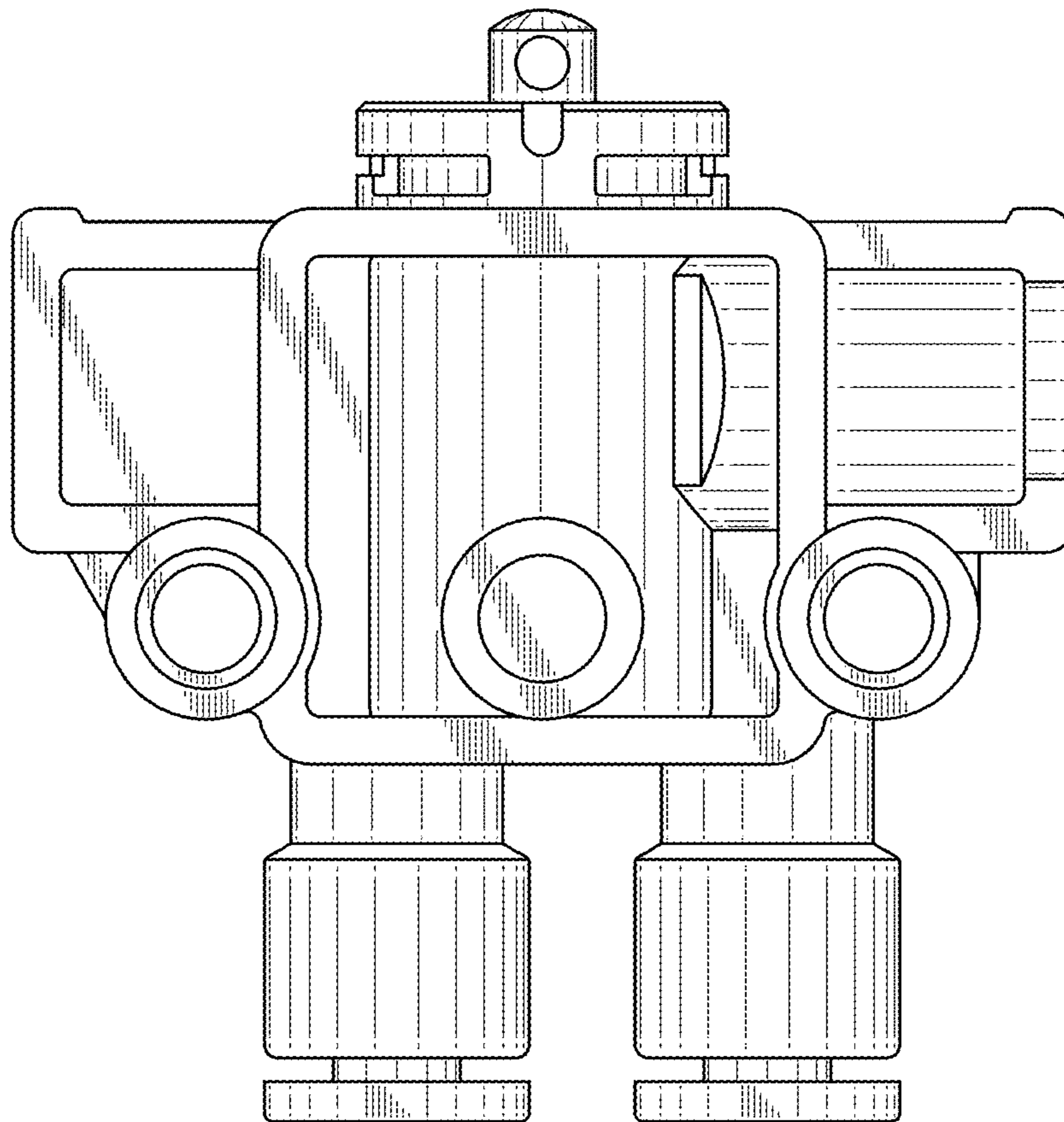


FIG. 4

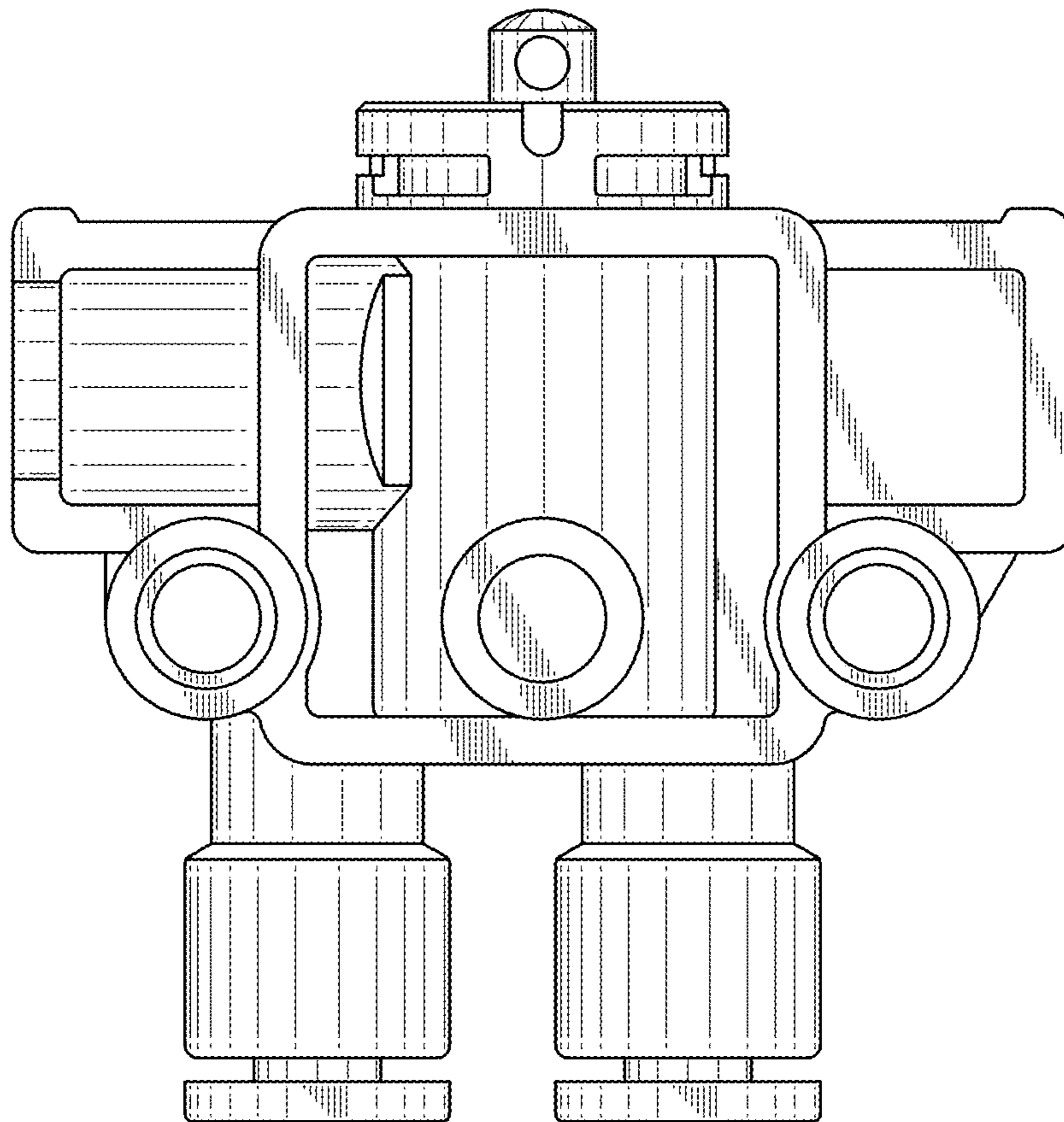


FIG. 5

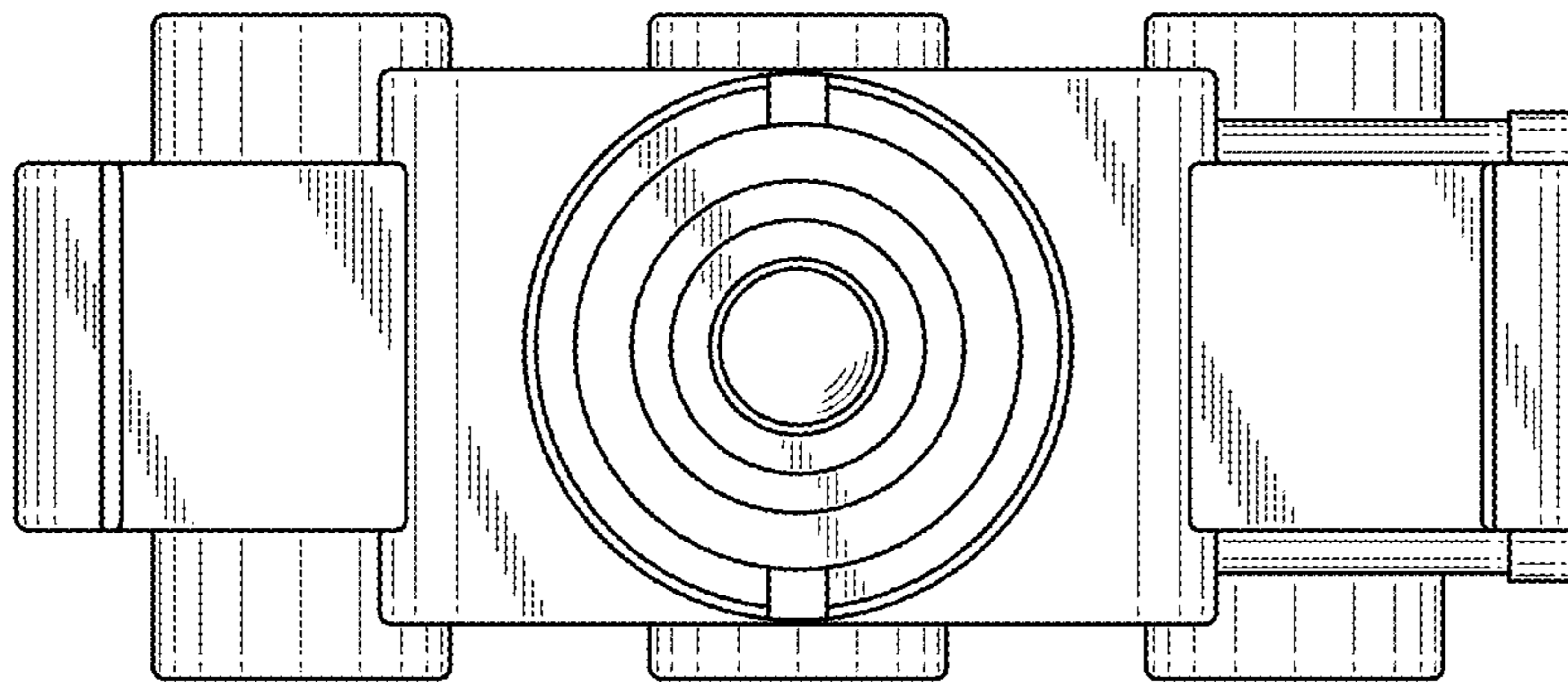


FIG. 6

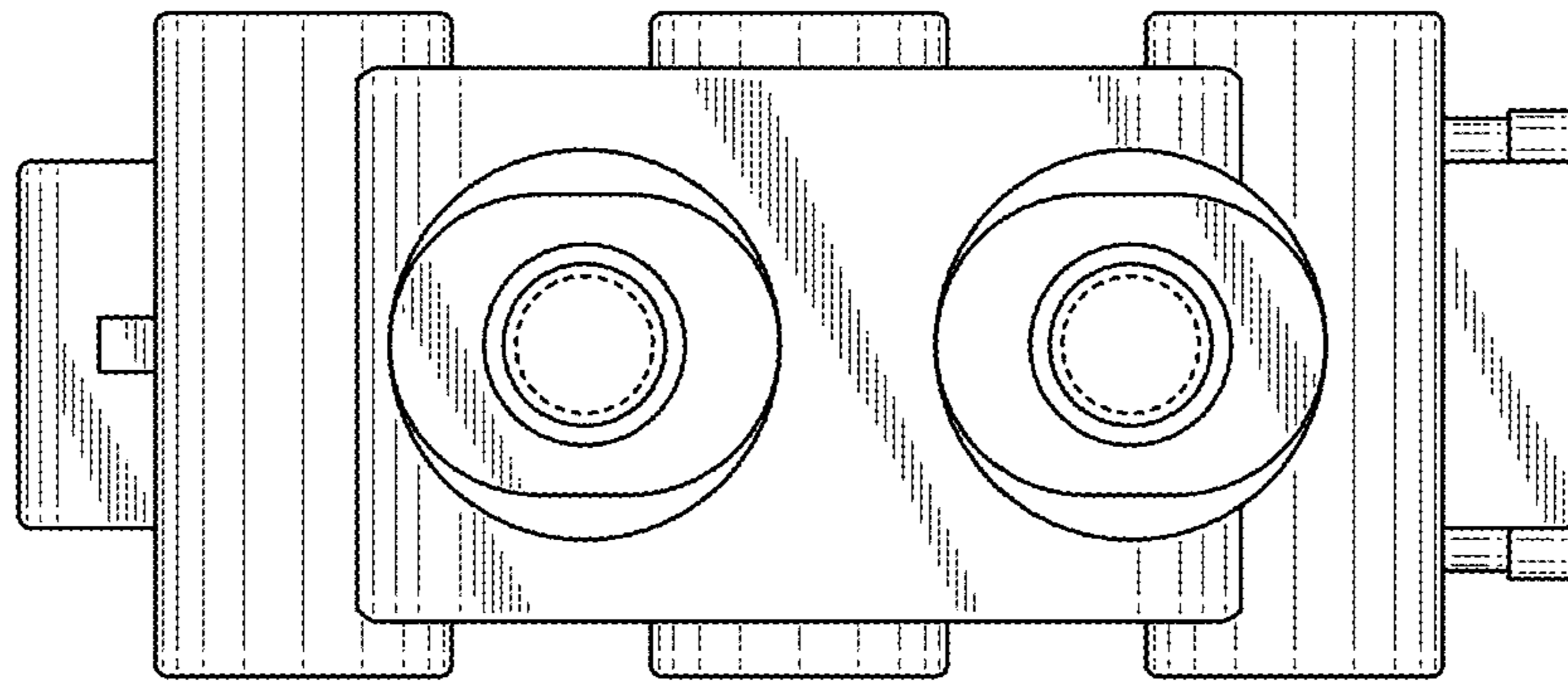


FIG. 7

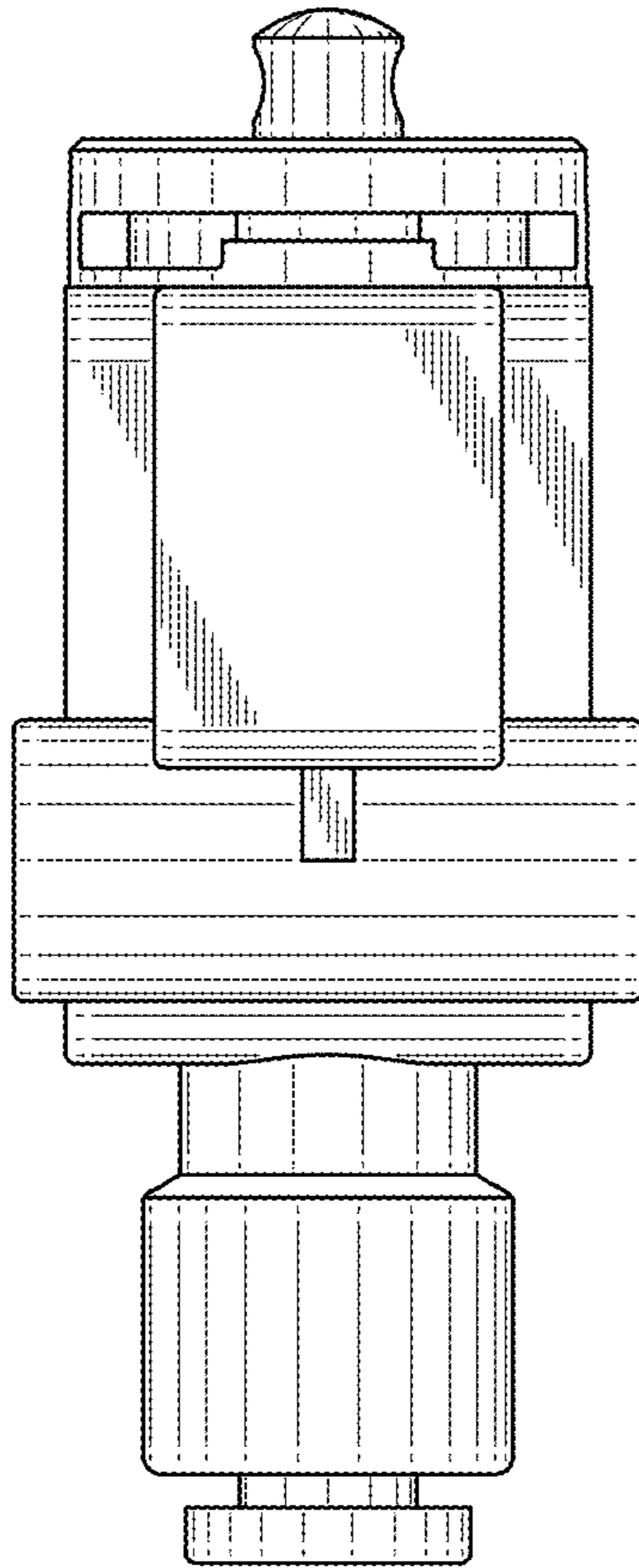


FIG. 8

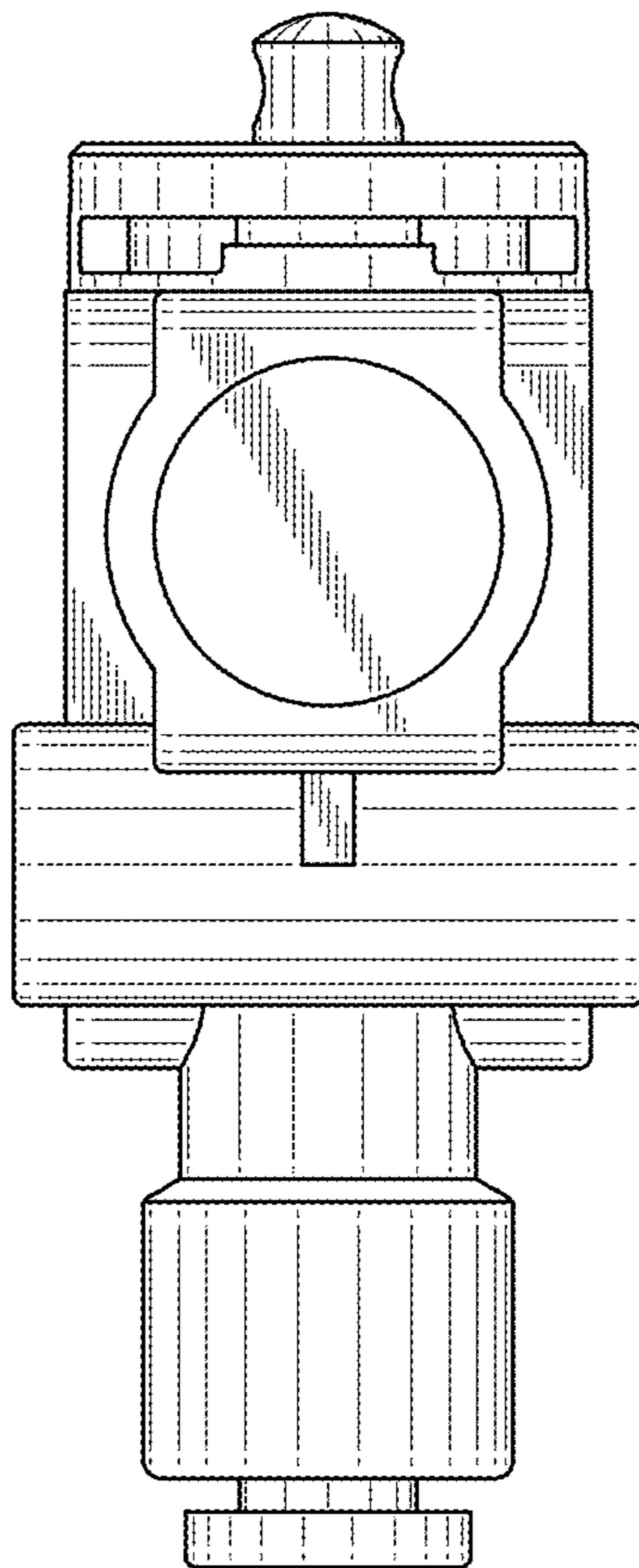


FIG. 9

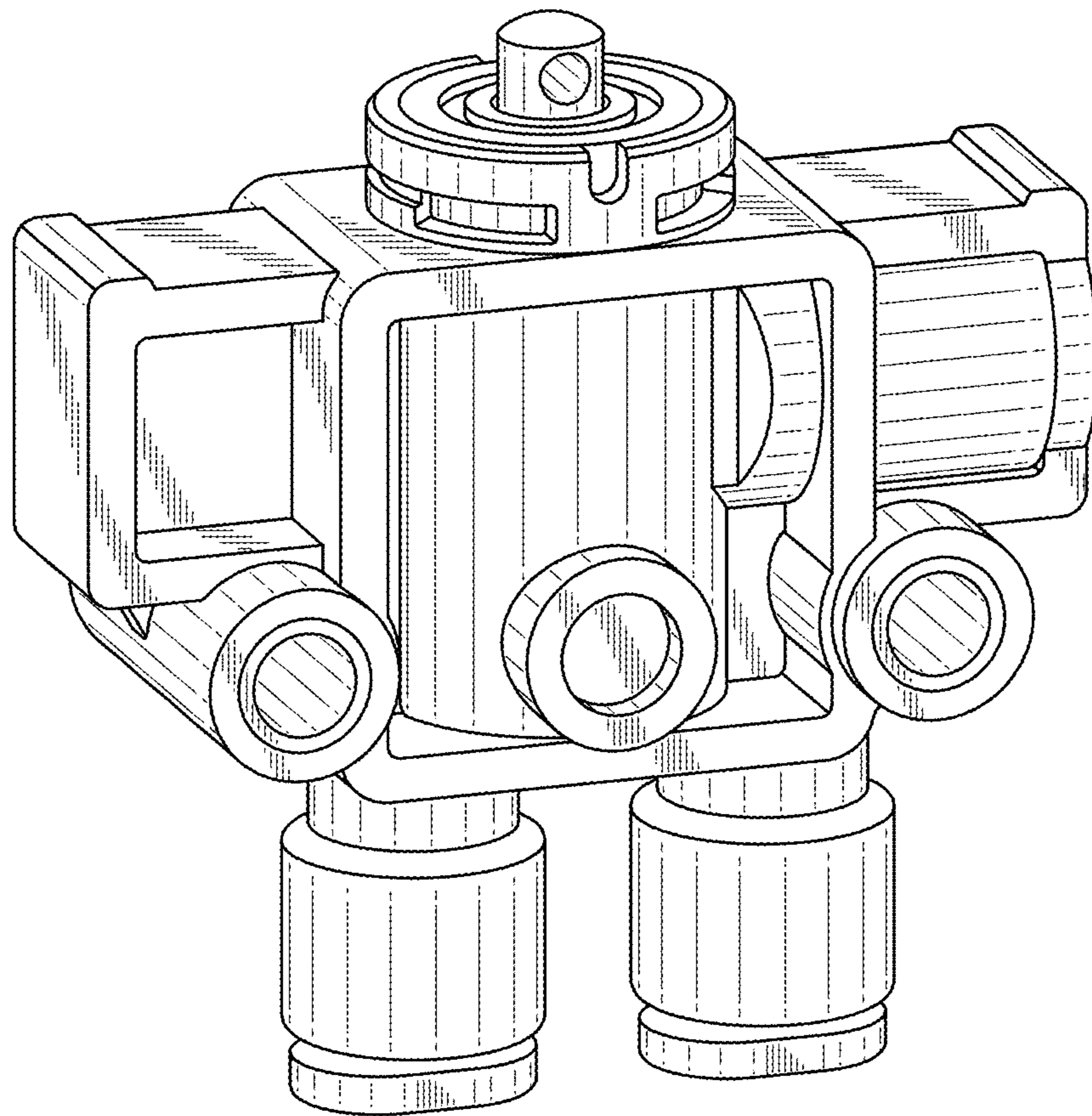


FIG. 10

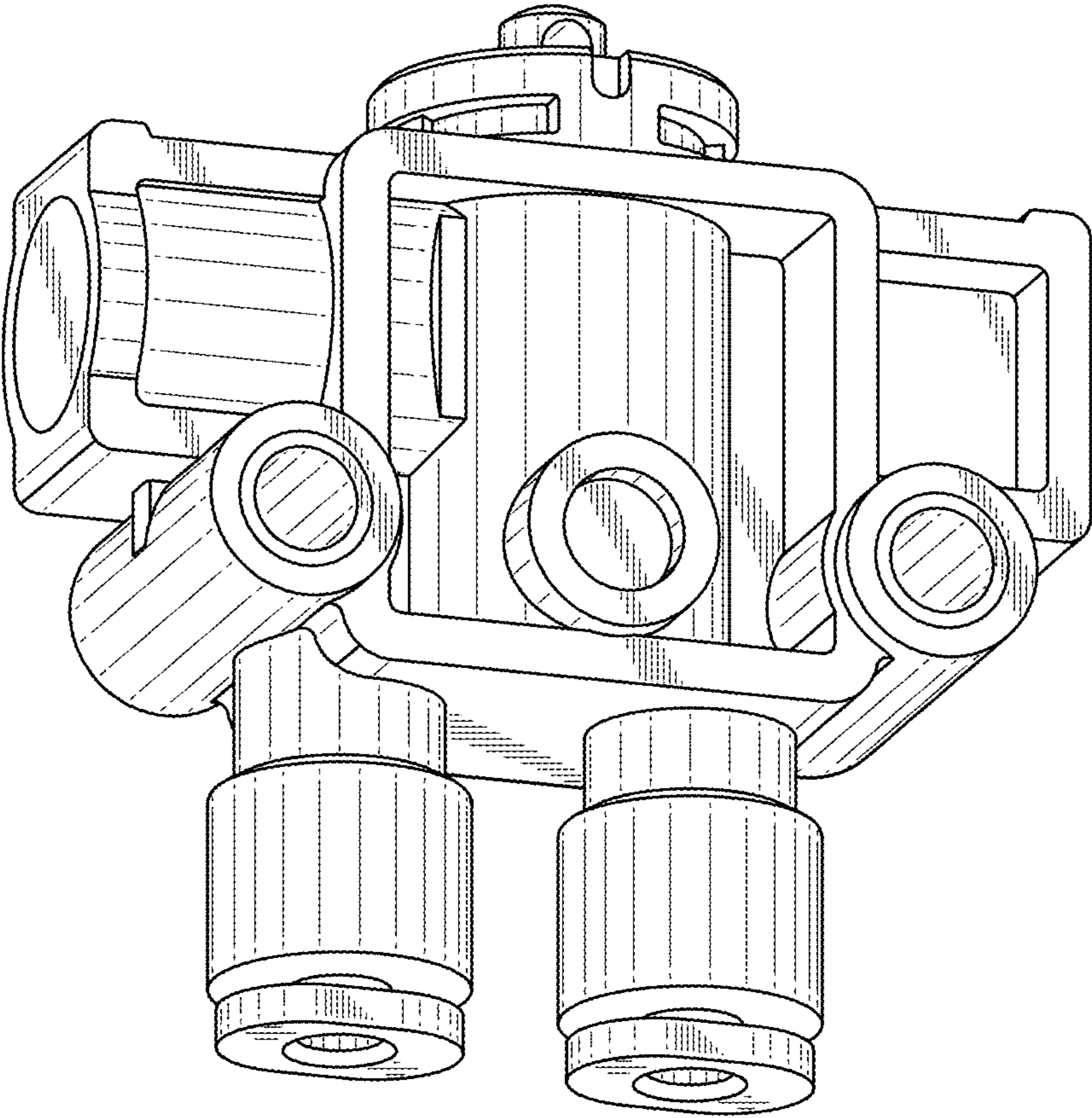


FIG. 11

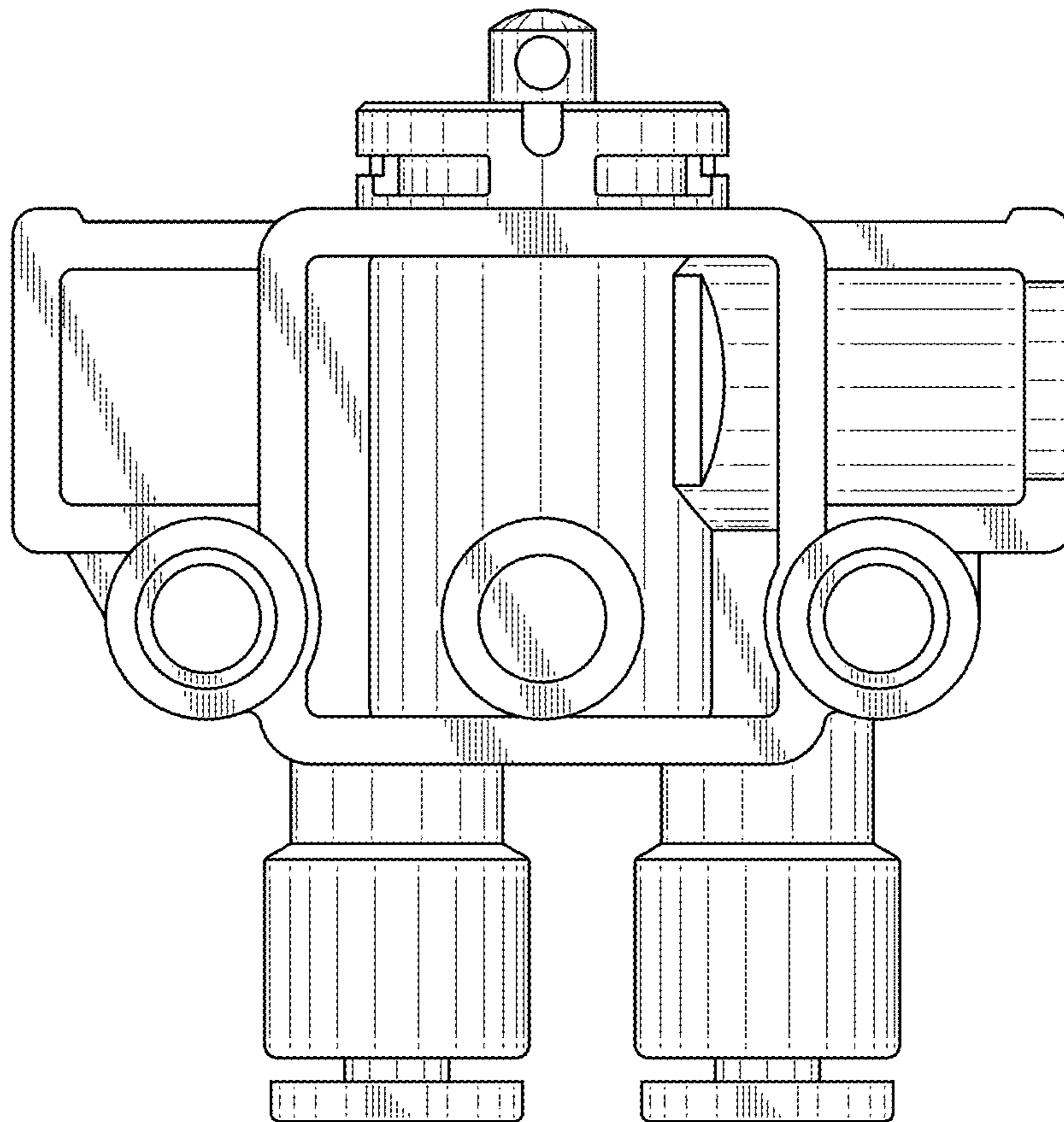


FIG. 12

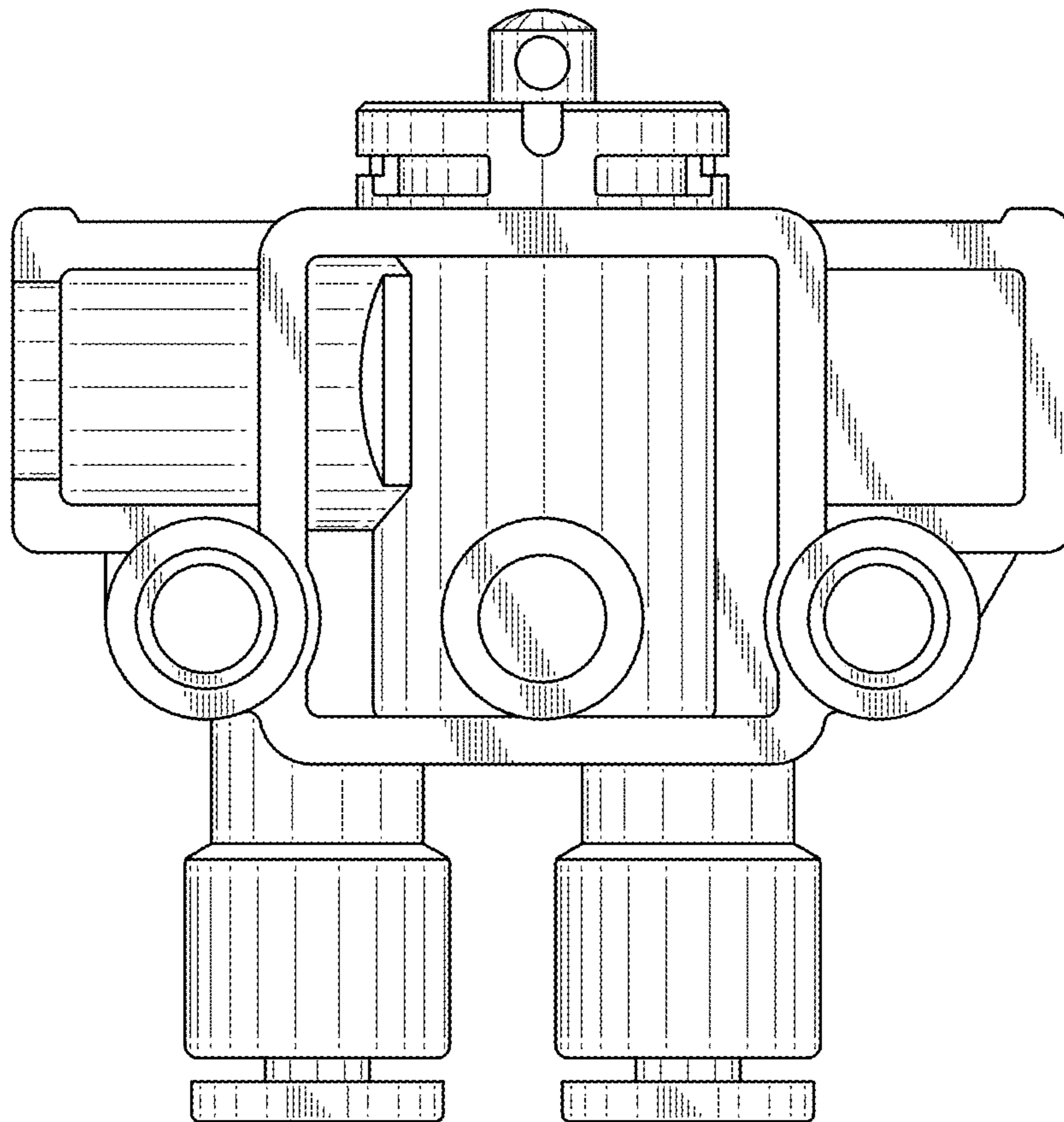


FIG. 13

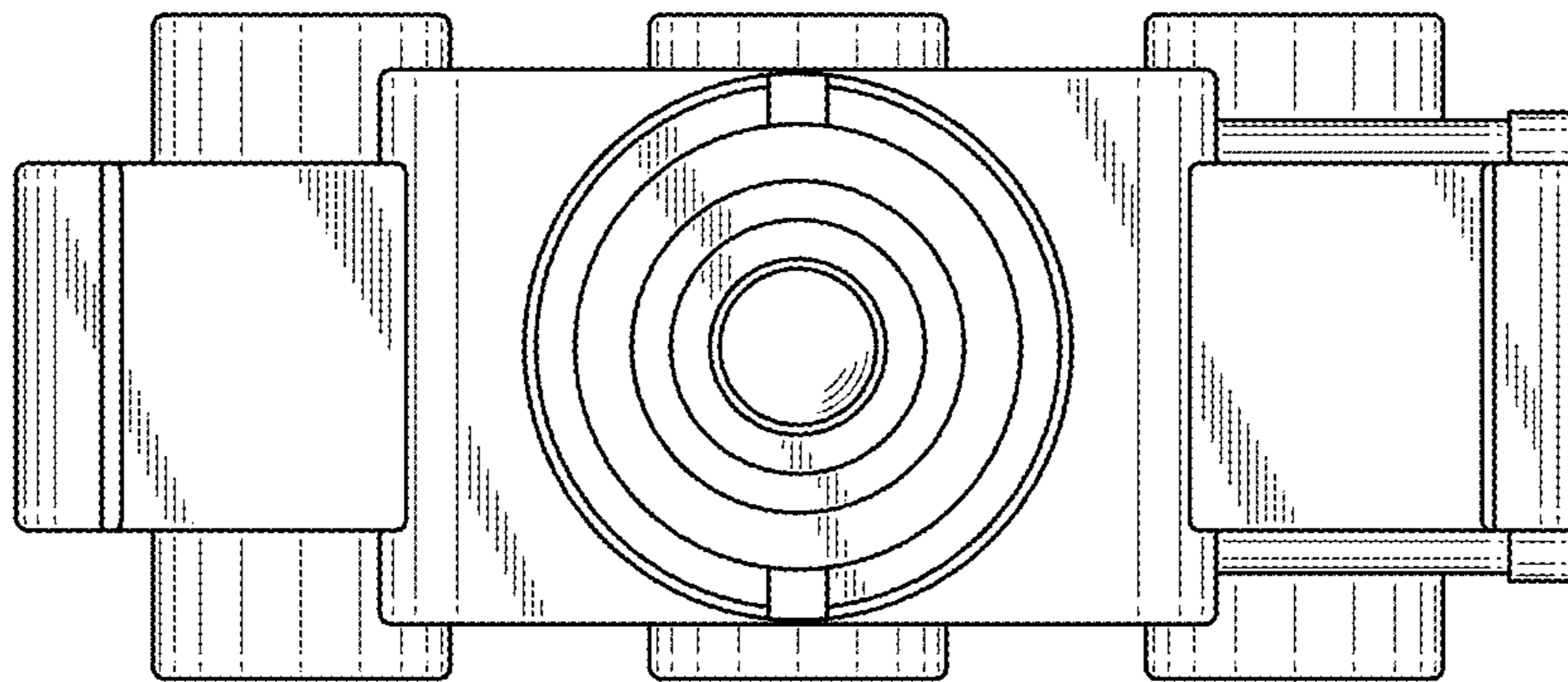


FIG. 14

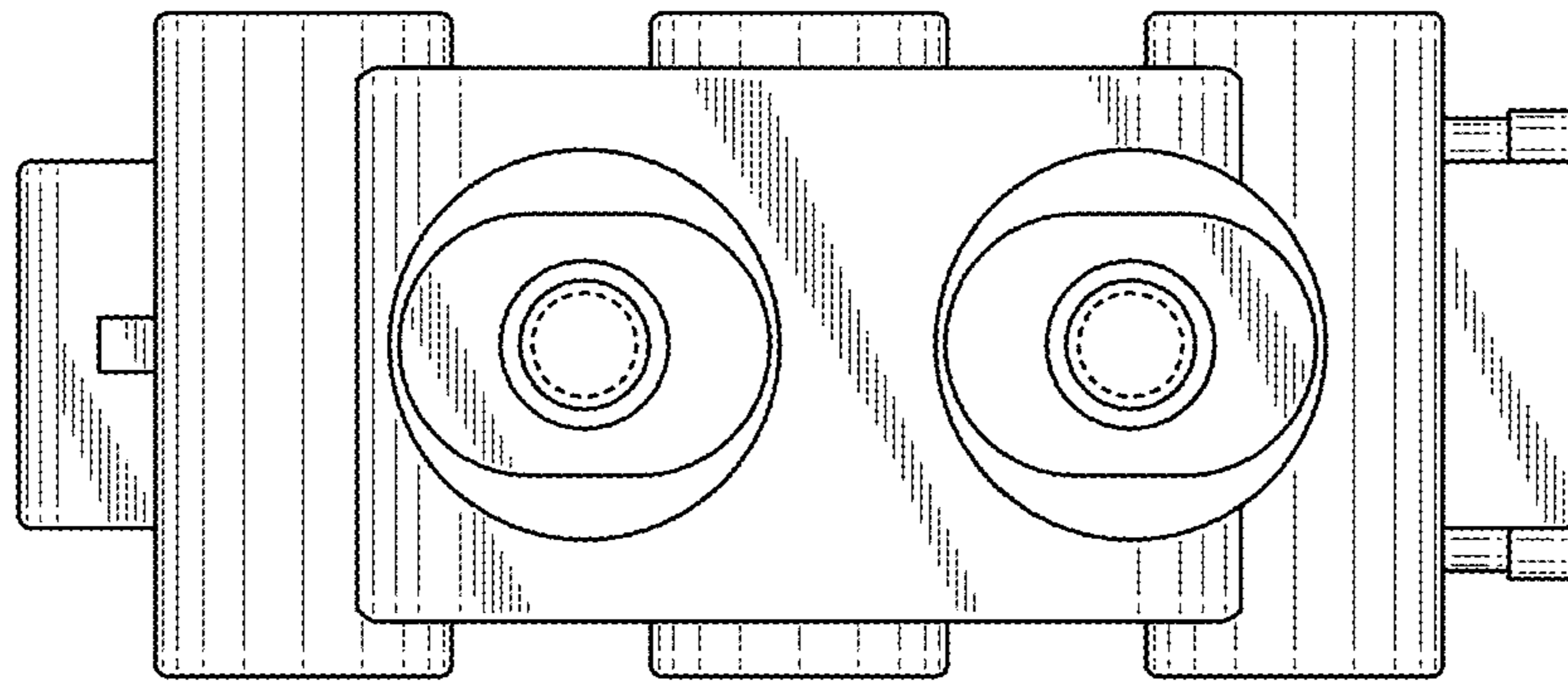


FIG. 15

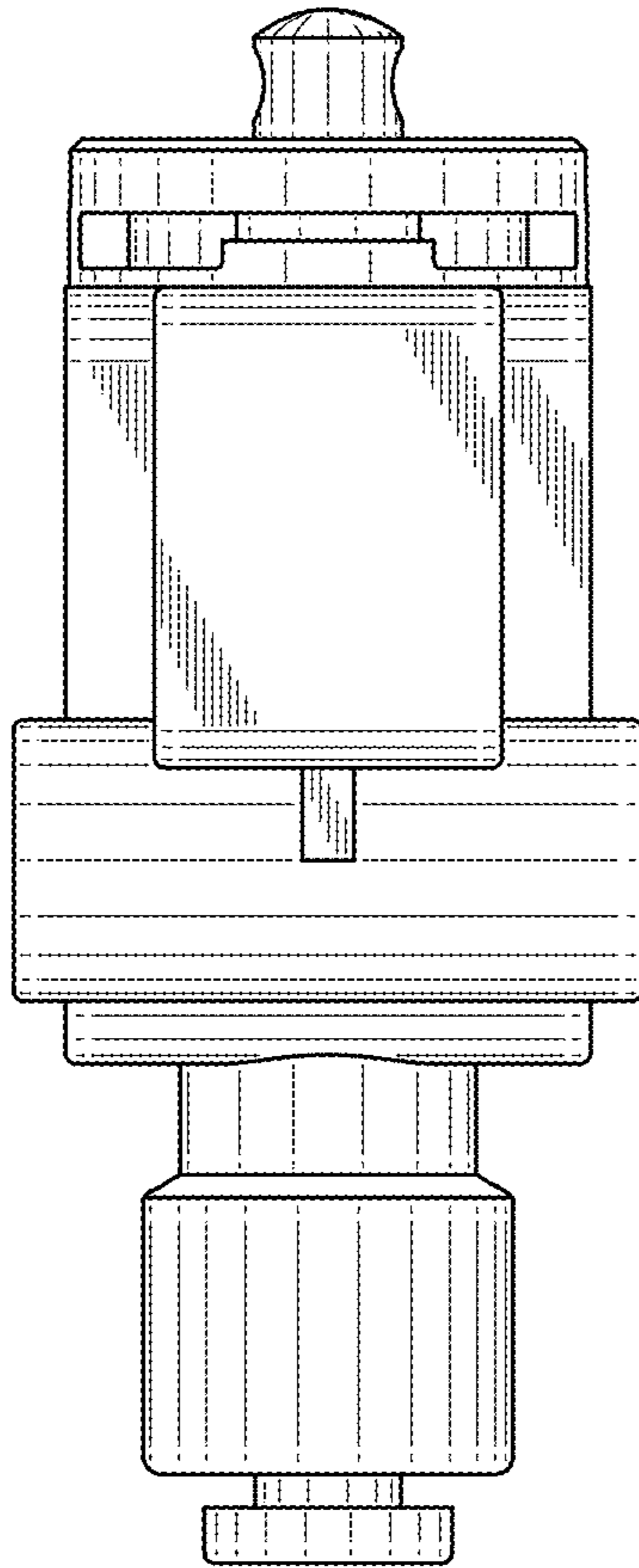


FIG. 16

