



US00D875881S

(12) **United States Design Patent** (10) **Patent No.:** **US D875,881 S**  
**Kremerman** (45) **Date of Patent:** **\*\* Feb. 18, 2020**

(54) **SHORT DISTILLATION HEAD**  
(71) Applicant: **Elliot Kremerman**, Los Gatos, CA (US)  
(72) Inventor: **Elliot Kremerman**, Los Gatos, CA (US)  
(\*\*) Term: **15 Years**  
(21) Appl. No.: **29/696,802**  
(22) Filed: **Jul. 1, 2019**  
(51) **LOC (12) Cl.** ..... **23-01**  
(52) **U.S. Cl.**  
USPC ..... **D23/207**  
(58) **Field of Classification Search**  
USPC ..... D23/207, 209, 213, 233, 259, 266, 268;  
D27/163-166, 194; 202/83, 255, 257,  
202/270  
CPC ..... B01D 5/0051; B01D 3/00; B01D 3/04;  
B01D 3/008  
See application file for complete search history.

5,411,707 A 5/1995 Hiatt  
5,711,857 A 1/1998 Armstrong  
D412,550 S 8/1999 Bell  
(Continued)

**OTHER PUBLICATIONS**

Growing Labs Short Path Distillation Kit [Aug. 8, 2019] found online [Aug. 8, 2019] —[https://www.growinglabs.com/products/ai-5i-short-path-distillation-kit-with-two-setup-options?gclid=EAIaIQobChMI1cjZpe\\_z4wIVDSsMCh1fZg1AEAQYBCABEGl-F\\_D\\_BwE.\\*](https://www.growinglabs.com/products/ai-5i-short-path-distillation-kit-with-two-setup-options?gclid=EAIaIQobChMI1cjZpe_z4wIVDSsMCh1fZg1AEAQYBCABEGl-F_D_BwE.*)

(Continued)

*Primary Examiner* — Michael C Stout  
*Assistant Examiner* — John A Voytek  
(74) *Attorney, Agent, or Firm* — Michael J. Feigin, Esq.; Feigin and Fridman LLC

(57) **CLAIM**

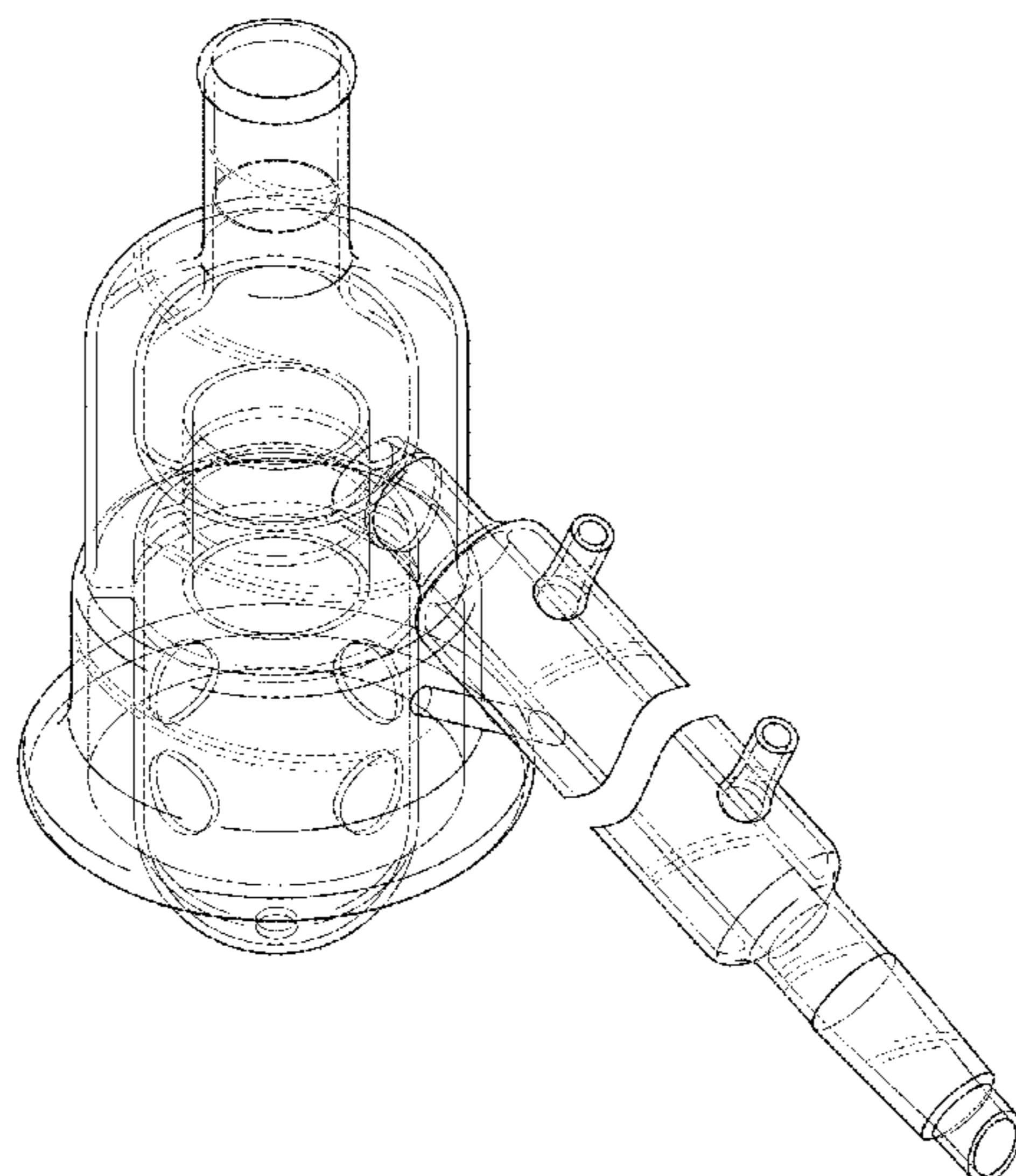
The ornamental design for a short distillation head, as shown and described.

**DESCRIPTION**

FIG. 1 shows a top and side perspective view of a short distillation head.  
FIG. 2 shows a bottom and reverse side perspective view thereof.  
FIG. 3 shows a side elevation view thereof the reverse side being a mirror image thereof.  
FIG. 4 shows a front elevation view thereof.  
FIG. 5 shows a rear elevation view thereof.  
FIG. 6 shows a top plan view thereof; and,  
FIG. 7 shows a bottom plan view thereof.  
FIG. 8 shows a cutaway side elevation view thereof along section lines 8-8 of FIGS. 4, 6, and 7.  
The short distillation head is shown with a symbolic break in its length. The appearance of any portion of the article between the break lines forms no part of the claimed design.

**1 Claim, 6 Drawing Sheets**

(56) **References Cited**  
**U.S. PATENT DOCUMENTS**  
D173,603 S 12/1954 Atkinson  
3,020,215 A 2/1962 Weber  
3,271,935 A 9/1966 Smith  
3,334,025 A 8/1967 Reid  
D247,248 S 2/1978 Durot  
4,089,749 A 5/1978 Karamian  
D248,485 S \* 7/1978 Strauss ..... D23/209  
4,159,817 A 7/1979 Ikawa  
4,230,536 A 10/1980 Sech  
4,303,614 A 12/1981 Spring  
D293,128 S 12/1987 Karamian  
D293,368 S 12/1987 Karamian  
D306,338 S 2/1990 Rempe  
D314,225 S 1/1991 Palmer  
D316,739 S 5/1991 Erickson  
D339,862 S 9/1993 Weber  
5,354,428 A 10/1994 Clark  
D358,448 S 5/1995 Paoli



(56)

**References Cited**

U.S. PATENT DOCUMENTS

D425,174	S	5/2000	Swancara	
D432,203	S	10/2000	Edwards	
D455,813	S	4/2002	Mount	
D458,340	S	6/2002	Lindahl	
6,551,464	B1	4/2003	Kimel	
D634,397	S	3/2011	Lautzenheiser	
D706,386	S	6/2014	Ambler	
D727,460	S	4/2015	Collins	
D728,854	S *	5/2015	Siniakov .....	D27/162
D731,615	S	6/2015	Ambler	
9,138,657	B1	9/2015	Wiederin	
D775,310	S	12/2016	Kremerman	
D776,238	S	1/2017	Kremerman	
D780,286	S	2/2017	Ausner	
D787,630	S	5/2017	Lipkens	
D790,033	S	6/2017	Kremerman	
9,682,331	B2	6/2017	Kremerman	
D802,084	S	11/2017	Kremerman	
D802,085	S	11/2017	Kremerman	
D805,599	S *	12/2017	Kremerman .....	D23/207
D805,600	S *	12/2017	Kremerman .....	D23/207
D806,829	S	1/2018	Kremerman	
D819,779	S	6/2018	Kremerman	
D828,904	S	9/2018	Maibach, Jr.	
D849,184	S *	5/2019	Kremerman .....	D23/207
D849,187	S *	5/2019	Kremerman .....	D23/207
2018/0161693	A1 *	6/2018	Kremerman .....	B01D 3/32
2018/0290074	A1 *	10/2018	Kremerman .....	B01D 3/02
2019/0009188	A1 *	1/2019	Kremerman .....	B01D 5/006
2019/0076752	A1 *	3/2019	Maibach .....	B01D 5/006

OTHER PUBLICATIONS

U.S. Appl. No. 29/696,799, filed Jul. 1, 2019, Distillation Heads.

\* cited by examiner

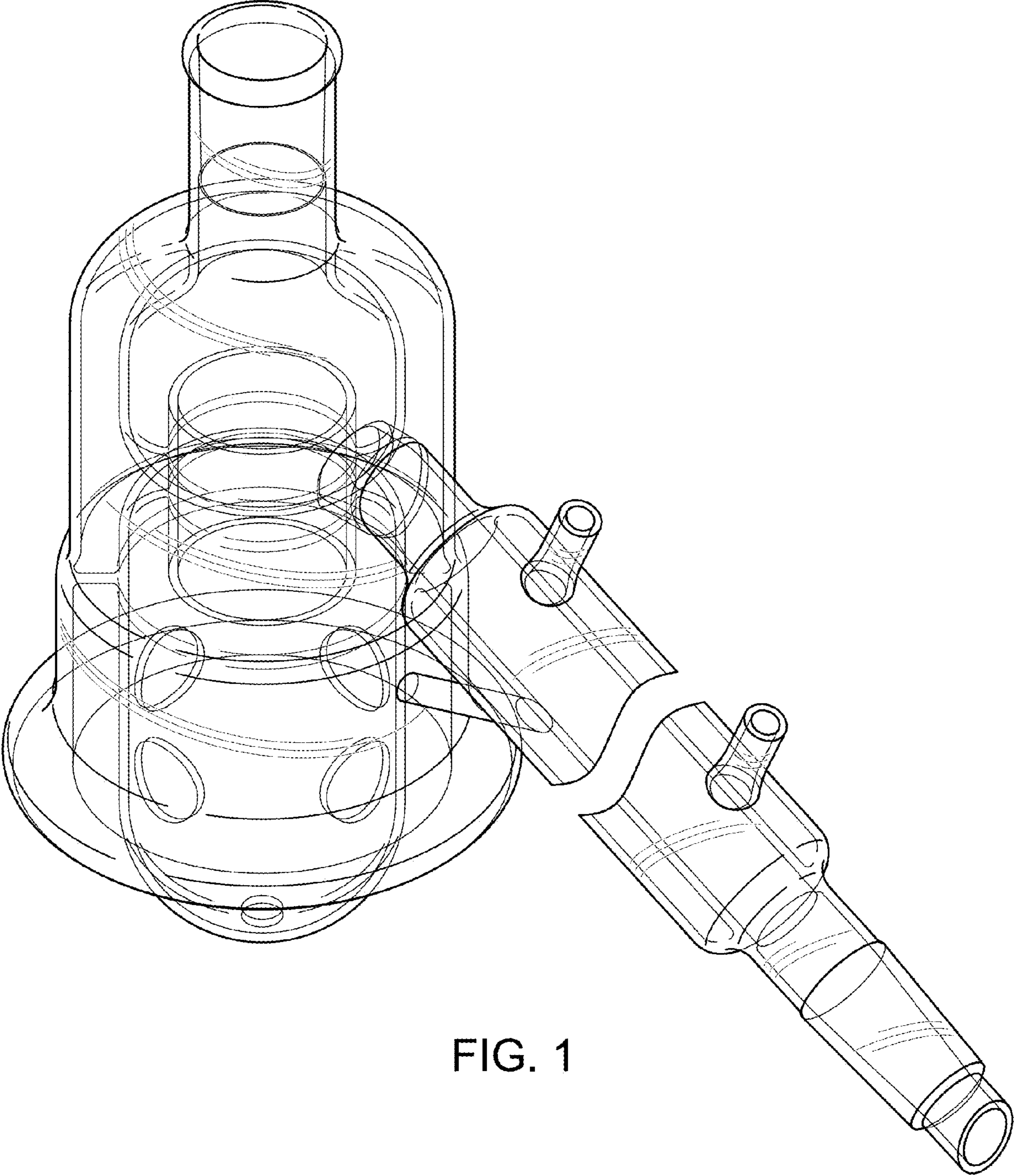


FIG. 1

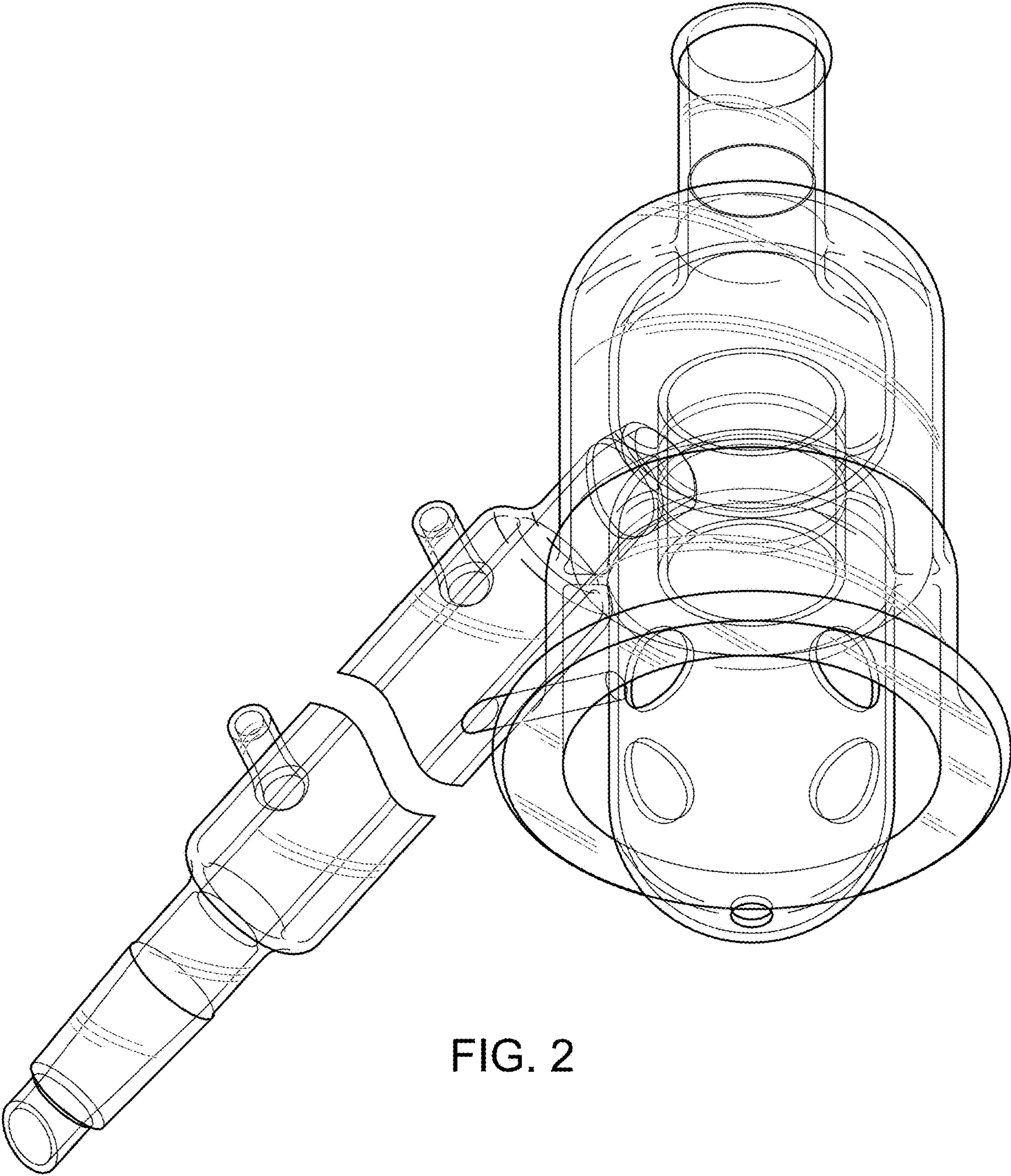


FIG. 2

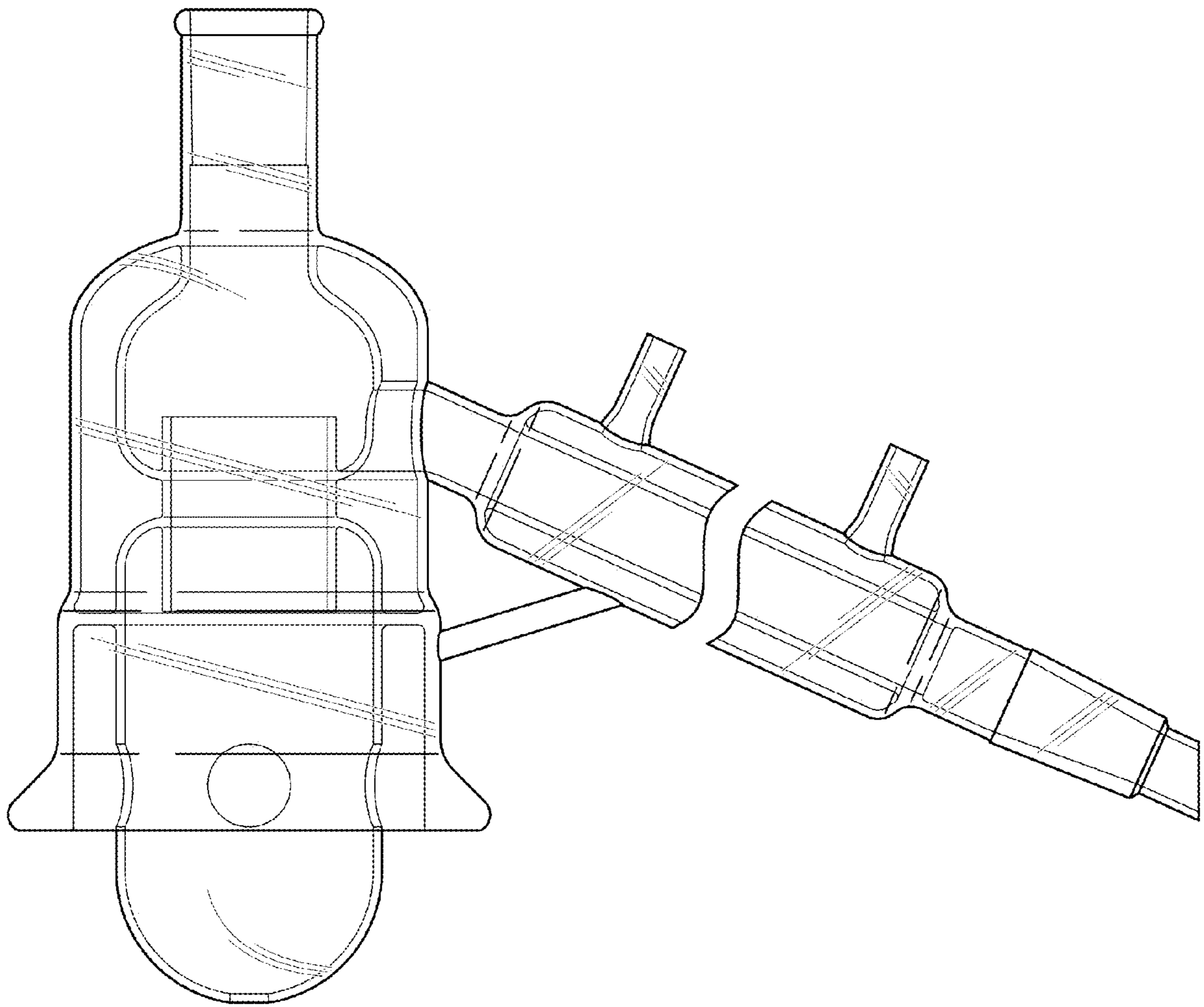


FIG. 3

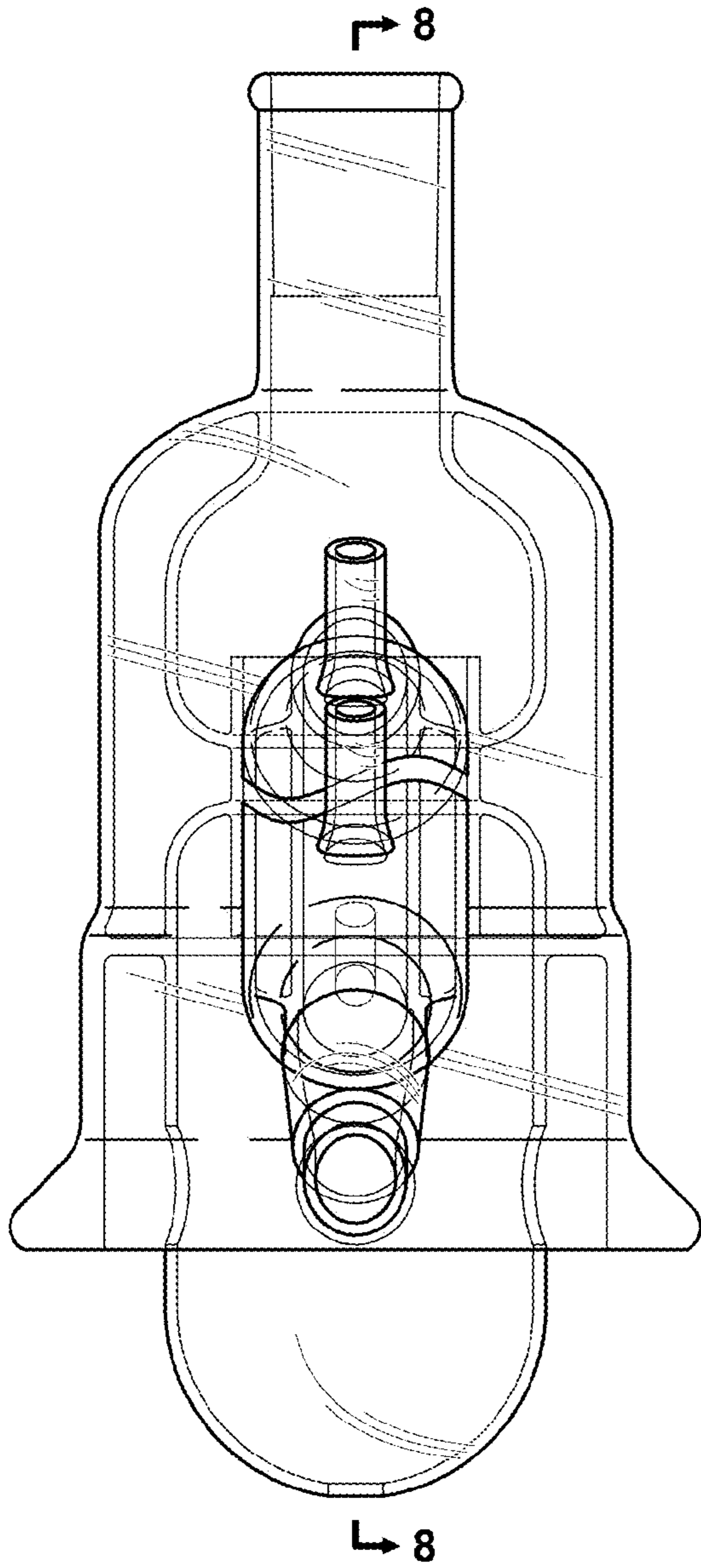


FIG. 4

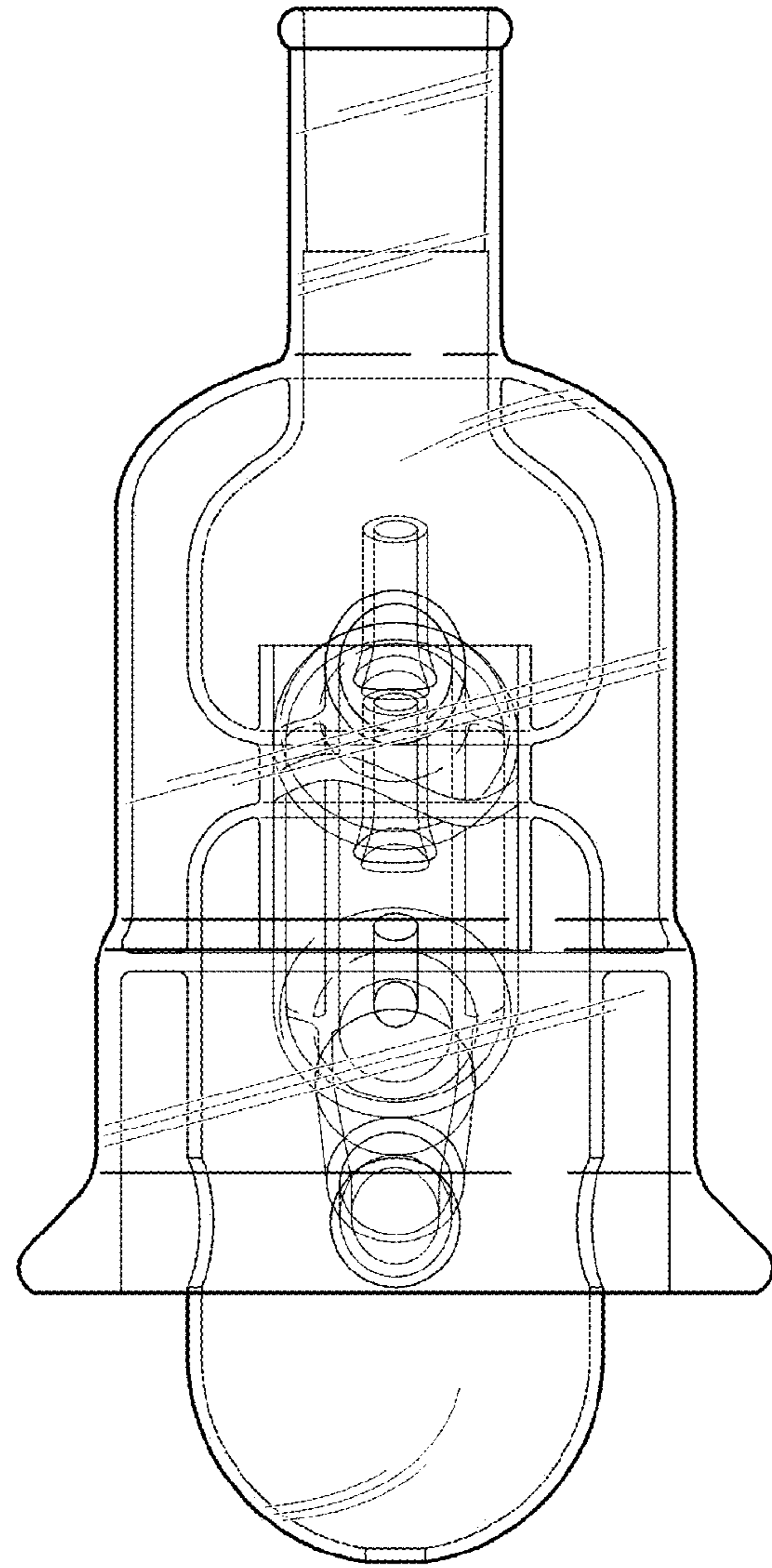


FIG. 5

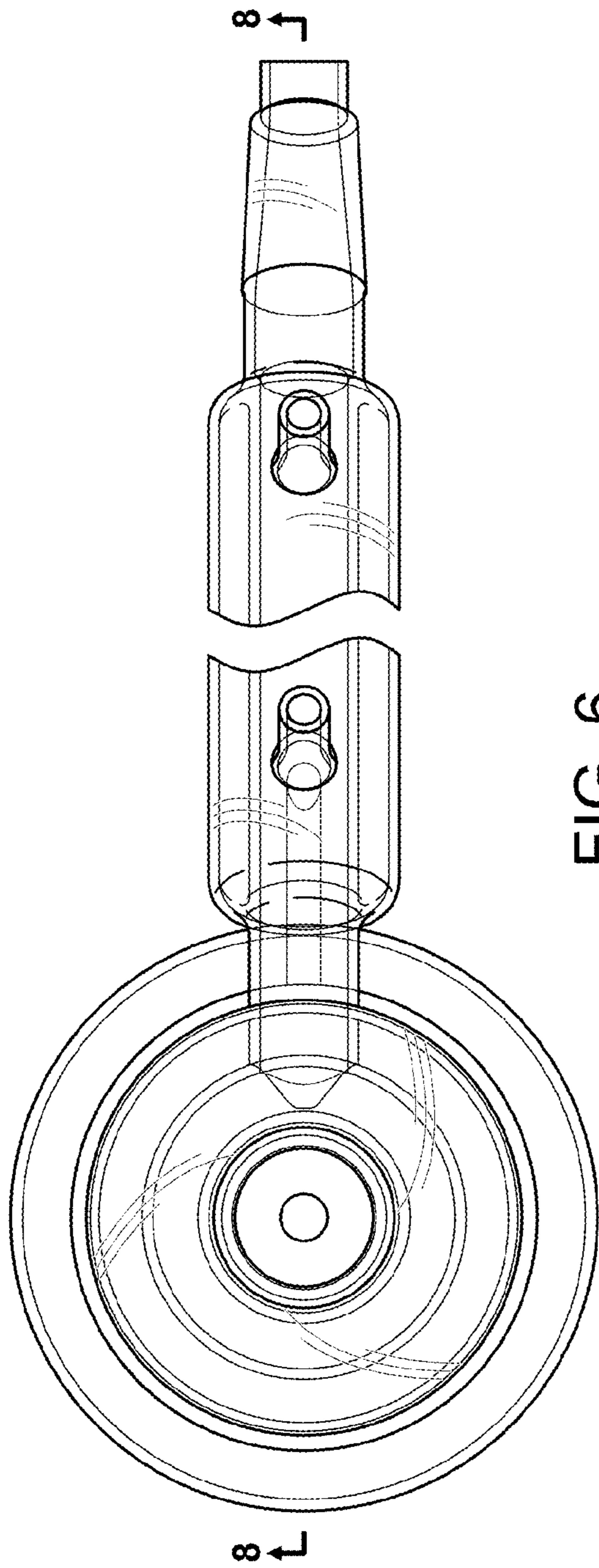


FIG. 6

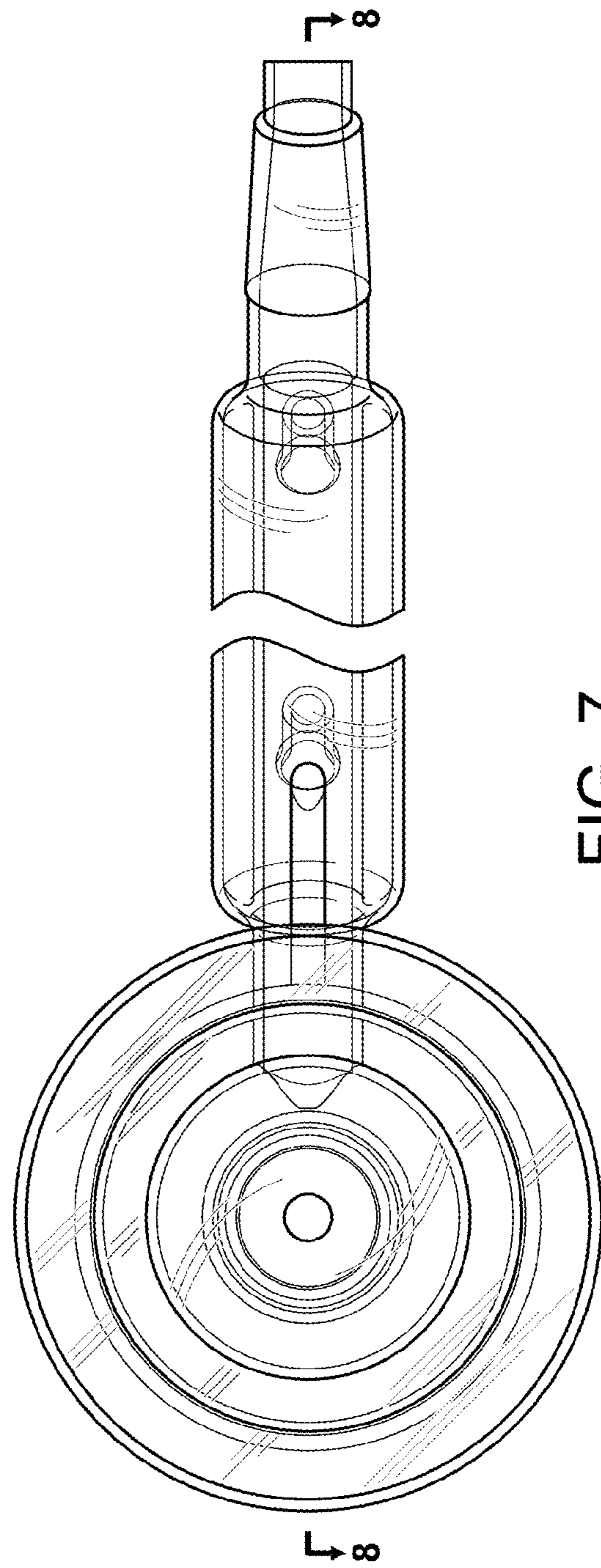


FIG. 7

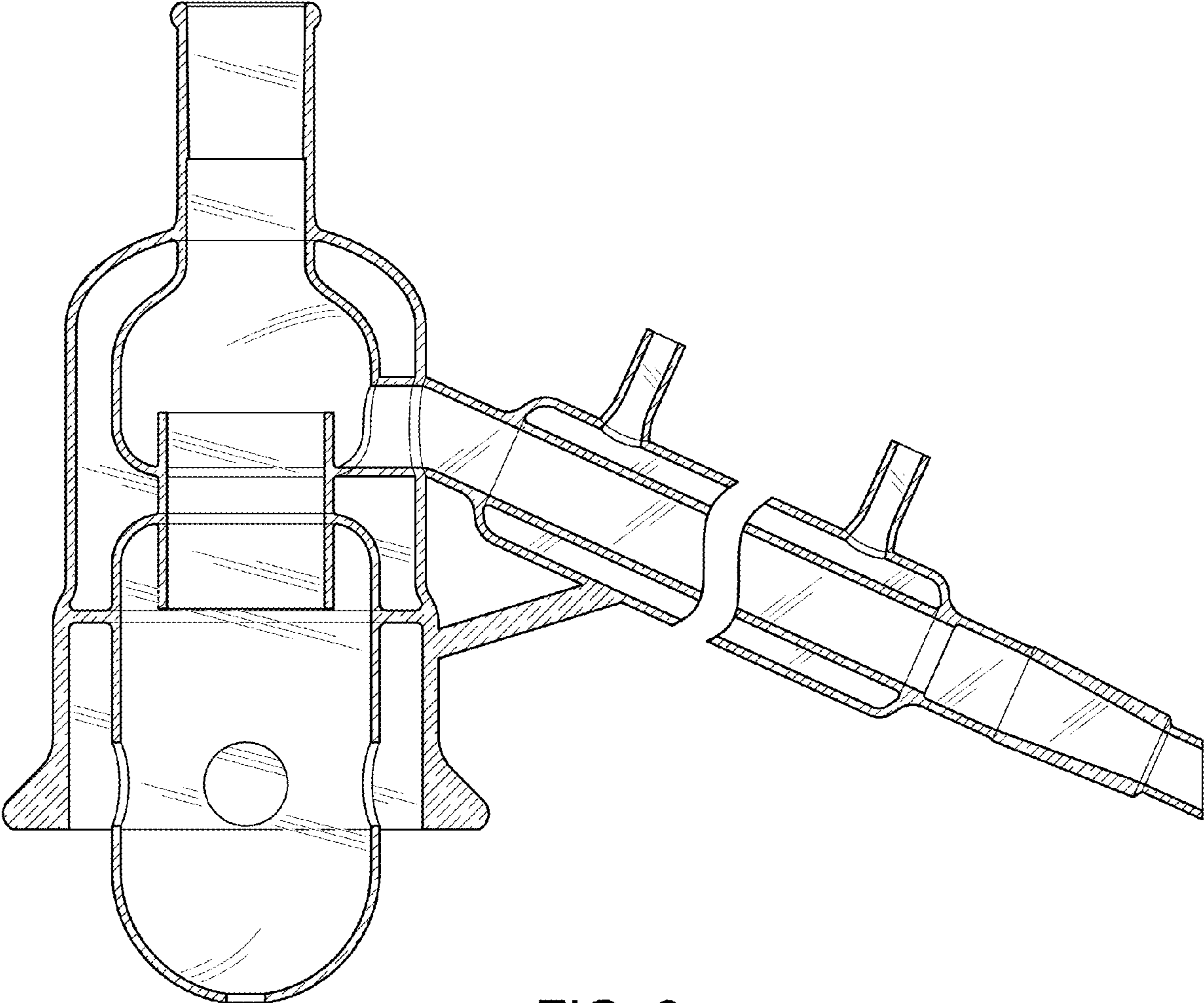


FIG. 8