



US00D875875S

(12) **United States Design Patent**  
**Jung et al.**

(10) **Patent No.:** **US D875,875 S**

(45) **Date of Patent:** **\*\* Feb. 18, 2020**

(54) **SIGHT DEVICE**

(71) Applicant: **Dong In Optical Co., Ltd.**, Bucheon-si, Gyeonggi-do (KR)

(72) Inventors: **In Jung**, Gyeonggi-do (KR); **Pyeong An Kim**, Gyeonggi-do (KR)

(73) Assignee: **DONG IN OPTICAL CO., LTD.**, Bucheon-si, Gyeonggi-Do (KR)

(\*\*) Term: **15 Years**

(21) Appl. No.: **29/628,490**

(22) Filed: **Dec. 5, 2017**

(51) **LOC (12) Cl.** ..... **22-01**

(52) **U.S. Cl.**  
USPC ..... **D22/109**

(58) **Field of Classification Search**  
USPC ..... D22/108, 109, 110; D15/139; D8/381  
CPC ..... F41A 19/11; F41A 17/54; F41A 33/00  
See application file for complete search history.

(56) **References Cited**

U.S. PATENT DOCUMENTS

D378,936 S *	4/1997	DePaoli	.....	D22/109
D612,756 S *	3/2010	D'Amelio	.....	D10/70
D662,566 S *	6/2012	Estes	.....	D22/109
D704,296 S *	5/2014	Cheng	.....	D22/109
D712,001 S *	8/2014	Wells	.....	D22/108
D730,477 S *	5/2015	Huynh	.....	D22/109
D732,134 S *	6/2015	Wells	.....	D22/108
D746,405 S *	12/2015	Nemeyer	.....	D22/109
D747,431 S *	1/2016	Cheng	.....	D22/109
D749,689 S *	2/2016	Cheng	.....	D22/109
D750,685 S *	3/2016	Santos	.....	D16/208
D781,983 S *	3/2017	Wells	.....	D22/108
D800,864 S *	10/2017	Hartley	.....	D22/109
D807,981 S *	1/2018	Cheng	.....	D22/108
D813,340 S *	3/2018	Galli	.....	D22/108
D814,600 S *	4/2018	Cheng	.....	D22/109
D829,841 S *	10/2018	Galli	.....	D22/108

D830,491 S *	10/2018	Mock	.....	D22/109
10,139,197 B1 *	11/2018	Horton	.....	F41G 1/065
D837,927 S *	1/2019	Trulsson	.....	D22/109
D846,689 S *	4/2019	Cheng	.....	D22/109

(Continued)

*Primary Examiner* — Karen S Acker

*Assistant Examiner* — S. Bryan Reinholdt, Jr.

(74) *Attorney, Agent, or Firm* — Baker & McKenzie LLP

(57) **CLAIM**

The ornamental design for a sight device, as shown and described.

**DESCRIPTION**

FIG. 1 is a perspective view of a sight device in accordance with our design.

FIG. 2 is a perspective view of a sight device in accordance with our design.

FIG. 3 is a perspective view of a sight device in accordance with our design.

FIG. 4 is a perspective view of a sight device in accordance with our design.

FIG. 5 is a top view of a sight device in accordance with our design.

FIG. 6 is a front view of a sight device in accordance with our design.

FIG. 7 is a side view of a sight device in accordance with our design.

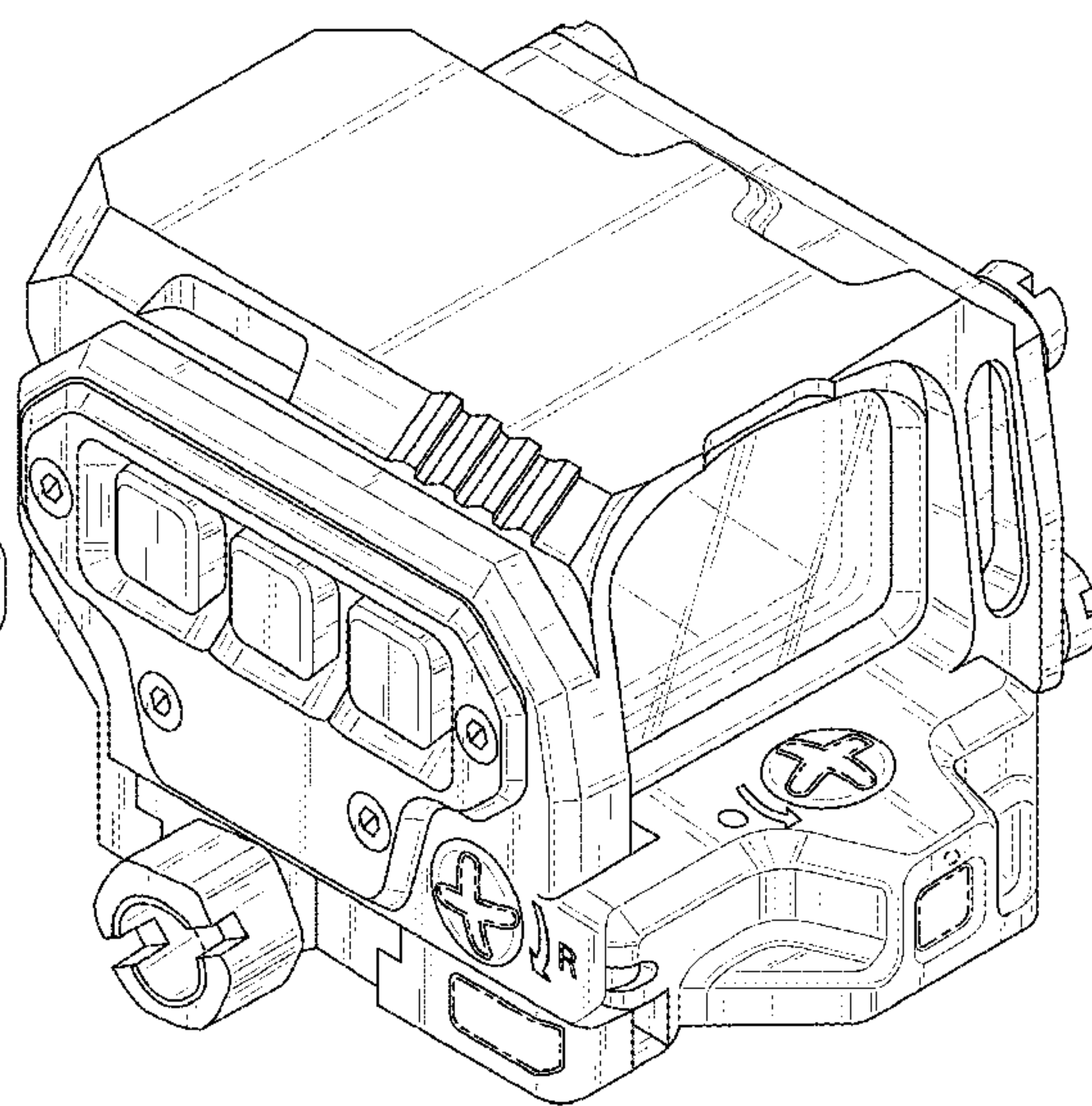
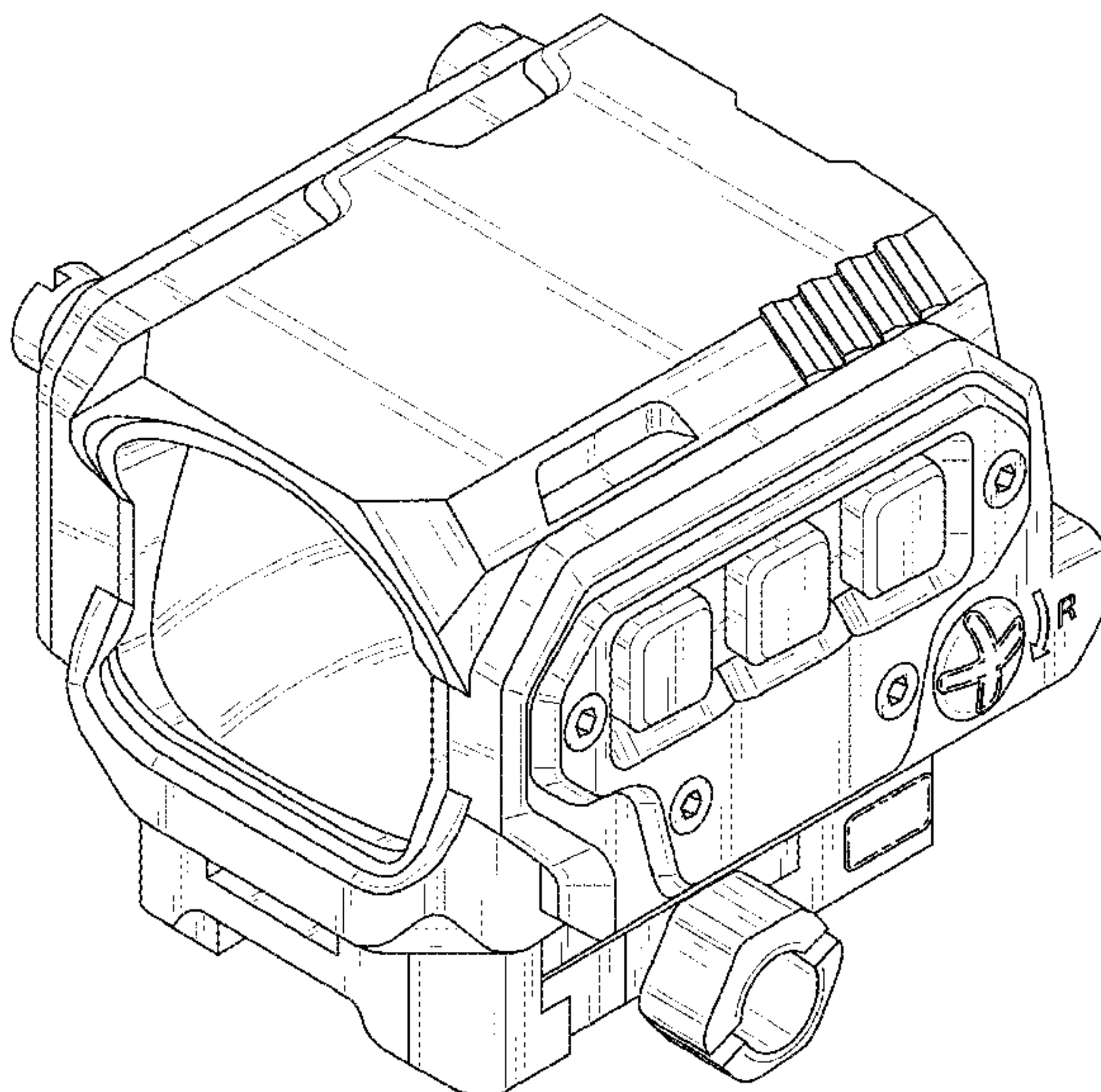
FIG. 8 is a rear view of a sight device in accordance with our design.

FIG. 9 is a side view of a sight device in accordance with our design; and,

FIG. 10 is a bottom view of a sight device in accordance with our design.

The broken lines and the areas within them depict portions of the sight device that form no part of the claim. The dot-dash-dot broken lines denote the boundary of the claim and form no part thereof.

**1 Claim, 10 Drawing Sheets**



(56)

**References Cited**

U.S. PATENT DOCUMENTS

D846,690	S *	4/2019	Cheng	.....	D22/109
D846,691	S *	4/2019	Cheng	.....	D22/109
D847,292	S *	4/2019	Hoff	.....	D22/109
D848,567	S *	5/2019	Soejima	.....	D22/109
D849,180	S *	5/2019	Cheng	.....	D22/109
D856,459	S *	8/2019	Hamilton	.....	D22/109
2016/0033232	A1 *	2/2016	Cheng	.....	F41G 1/345
					42/114
2016/0102943	A1 *	4/2016	Teetzel	.....	F41G 1/35
					42/113
2017/0205194	A1 *	7/2017	Teetzel	.....	F41G 1/01
2018/0045486	A1 *	2/2018	Jeung	.....	F41G 1/30
2018/0292168	A1 *	10/2018	Borrigo	.....	F41G 1/30

\* cited by examiner



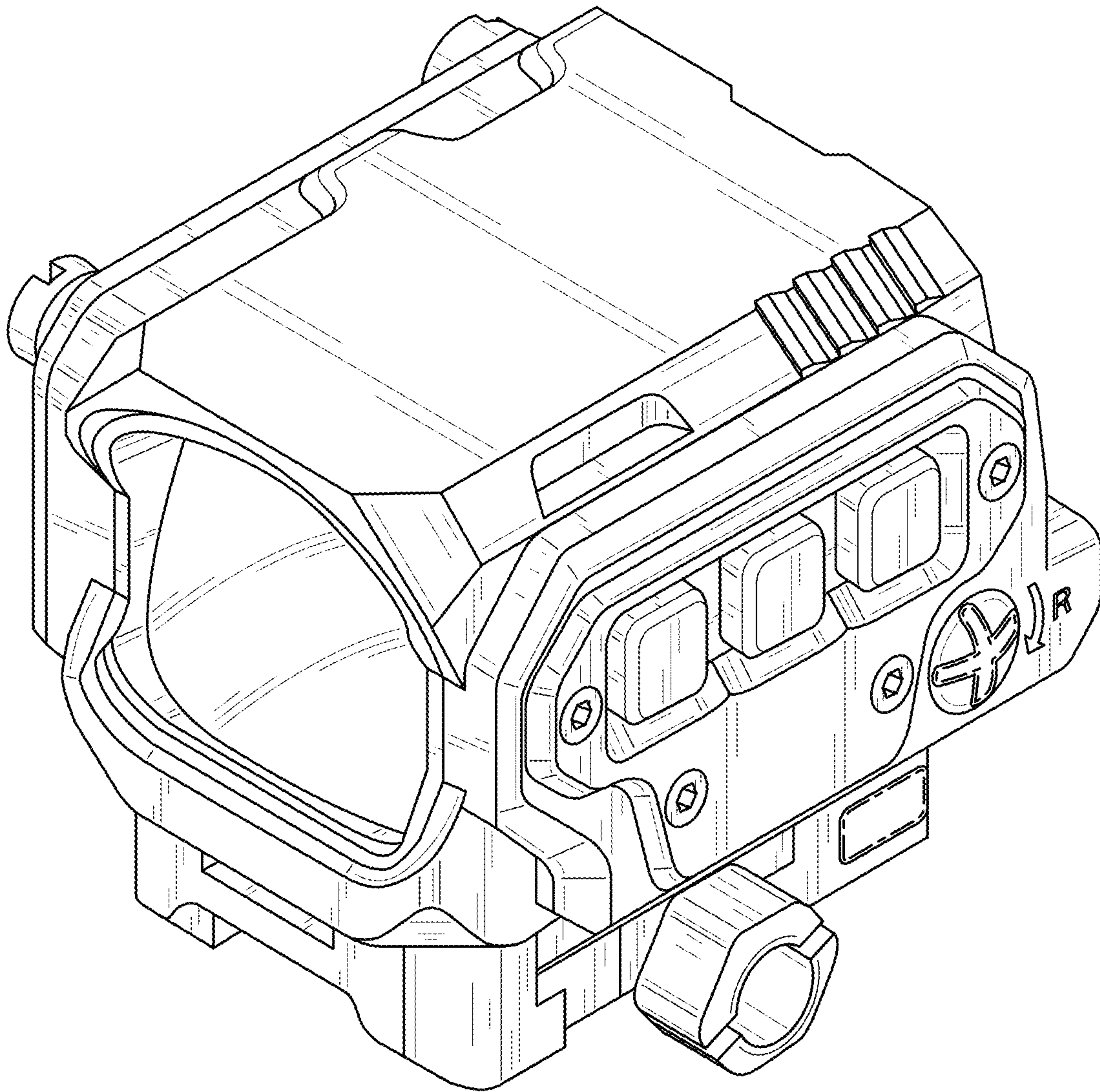


FIG. 1

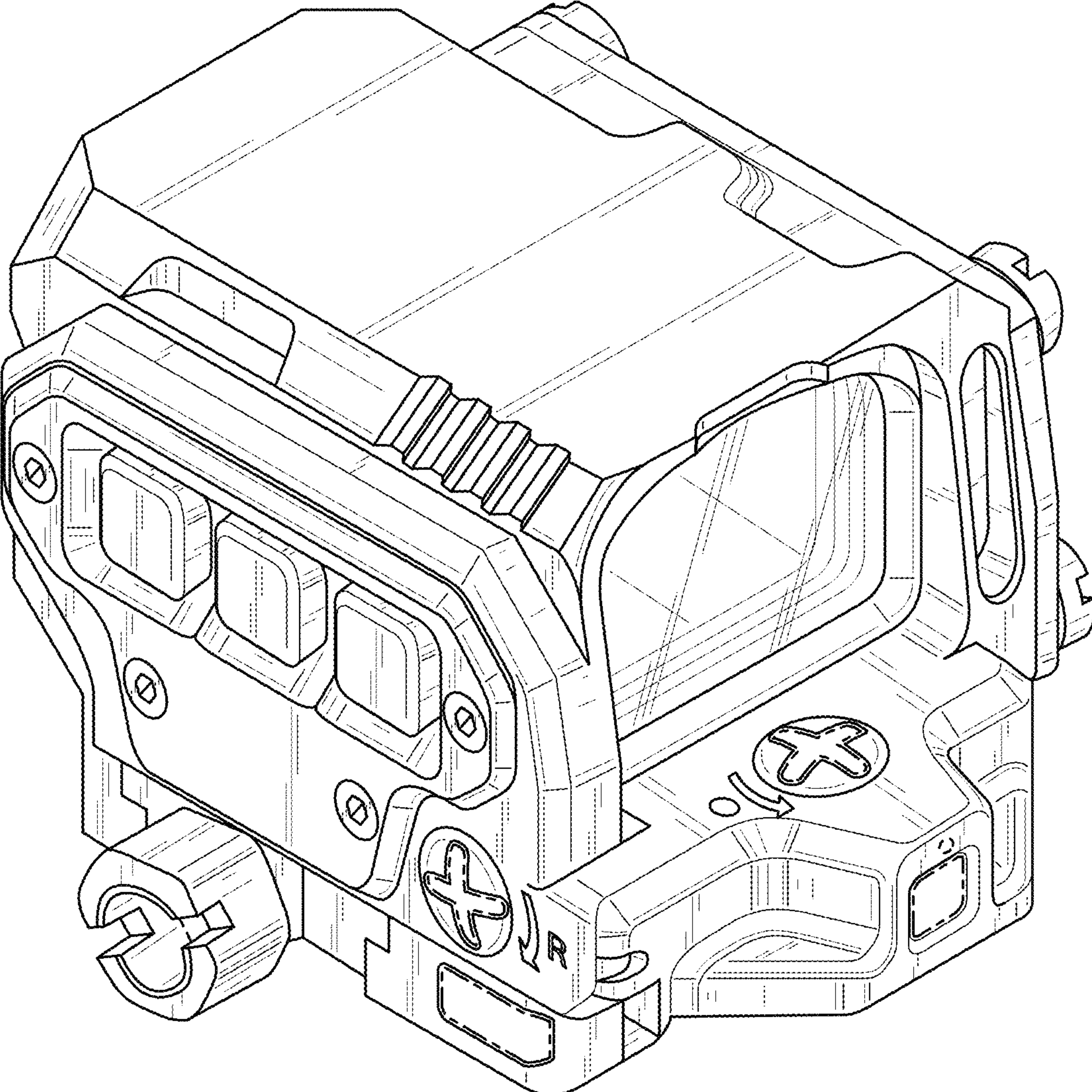


FIG. 2



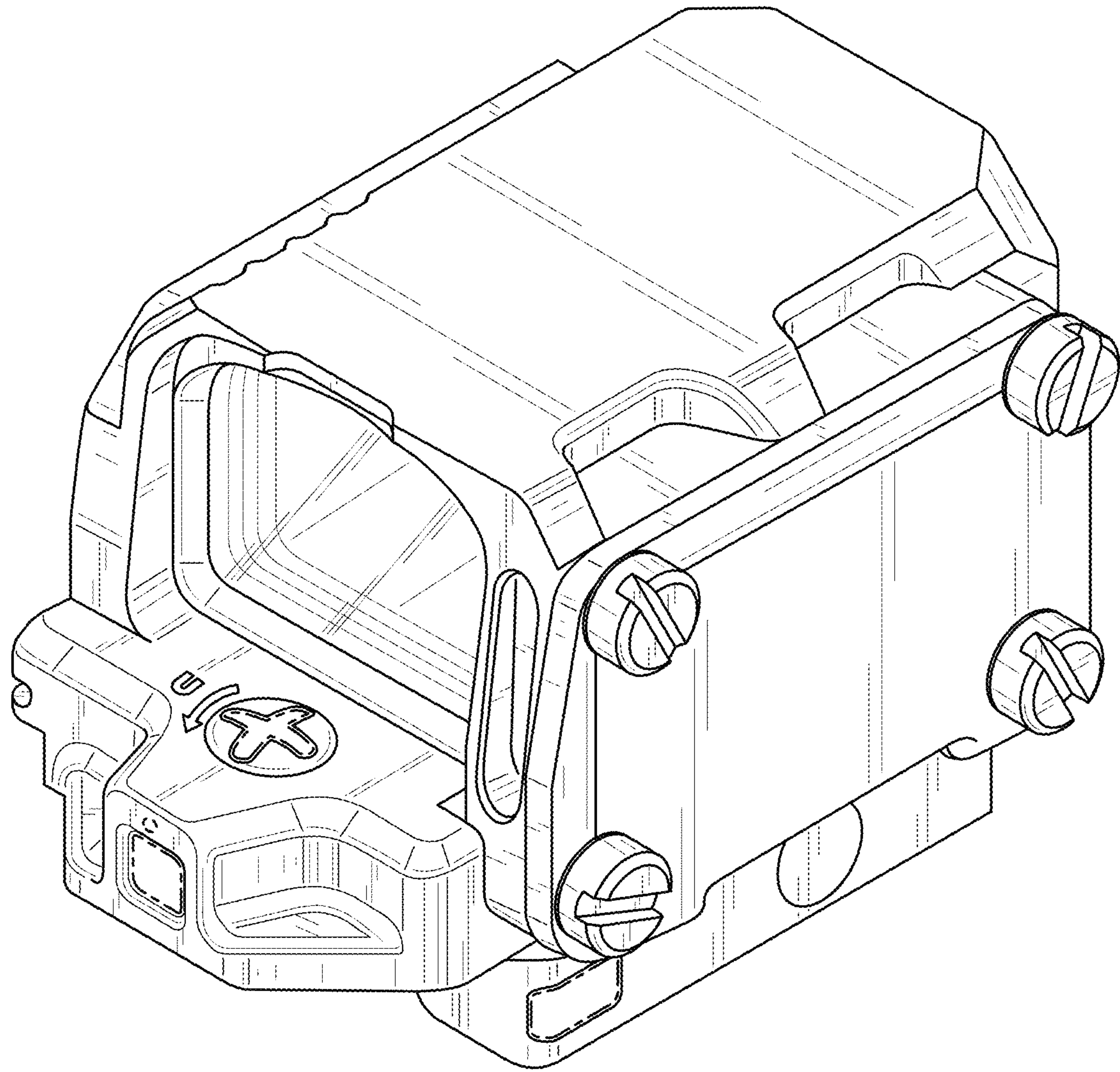


FIG. 3

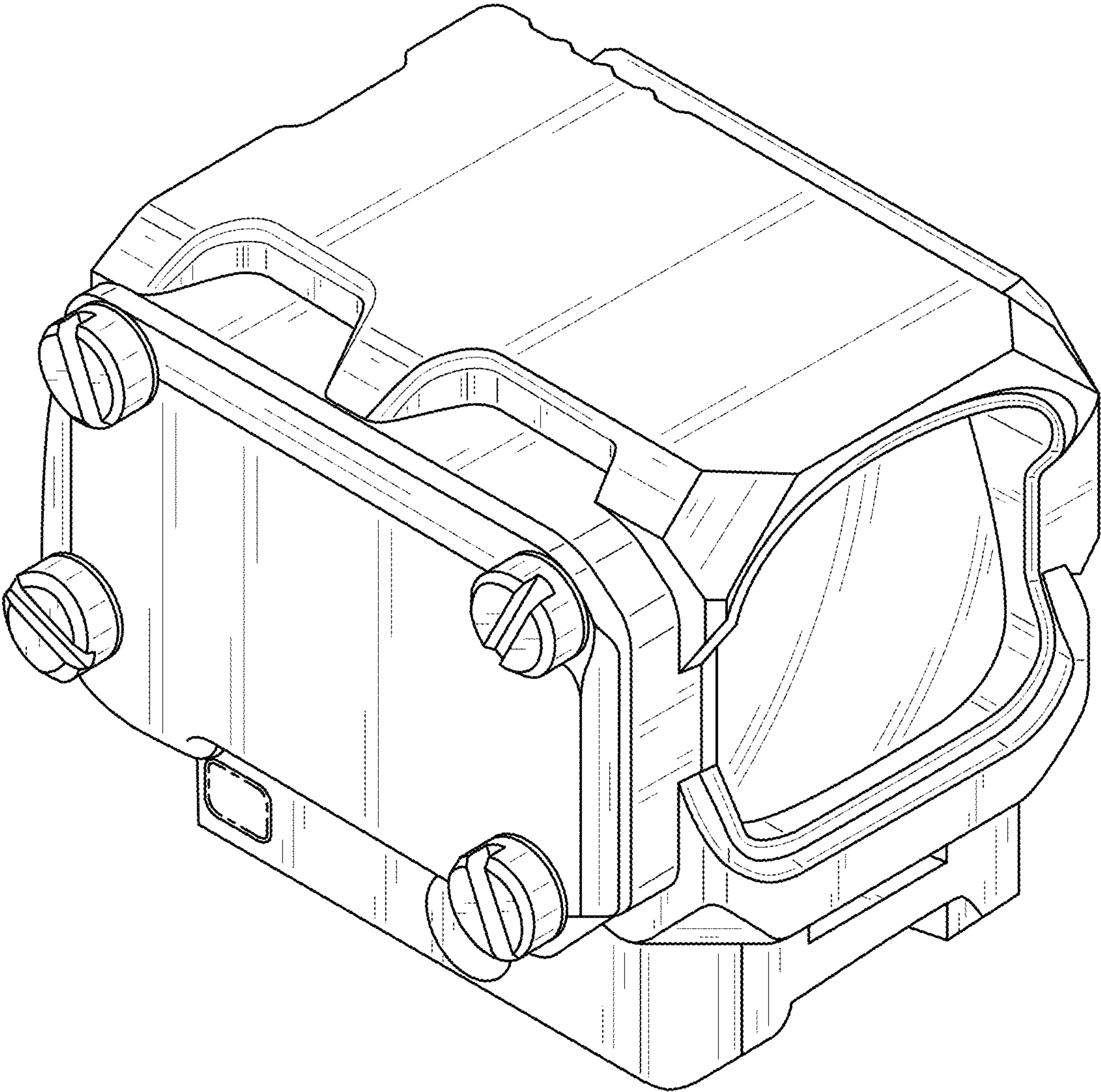


FIG. 4

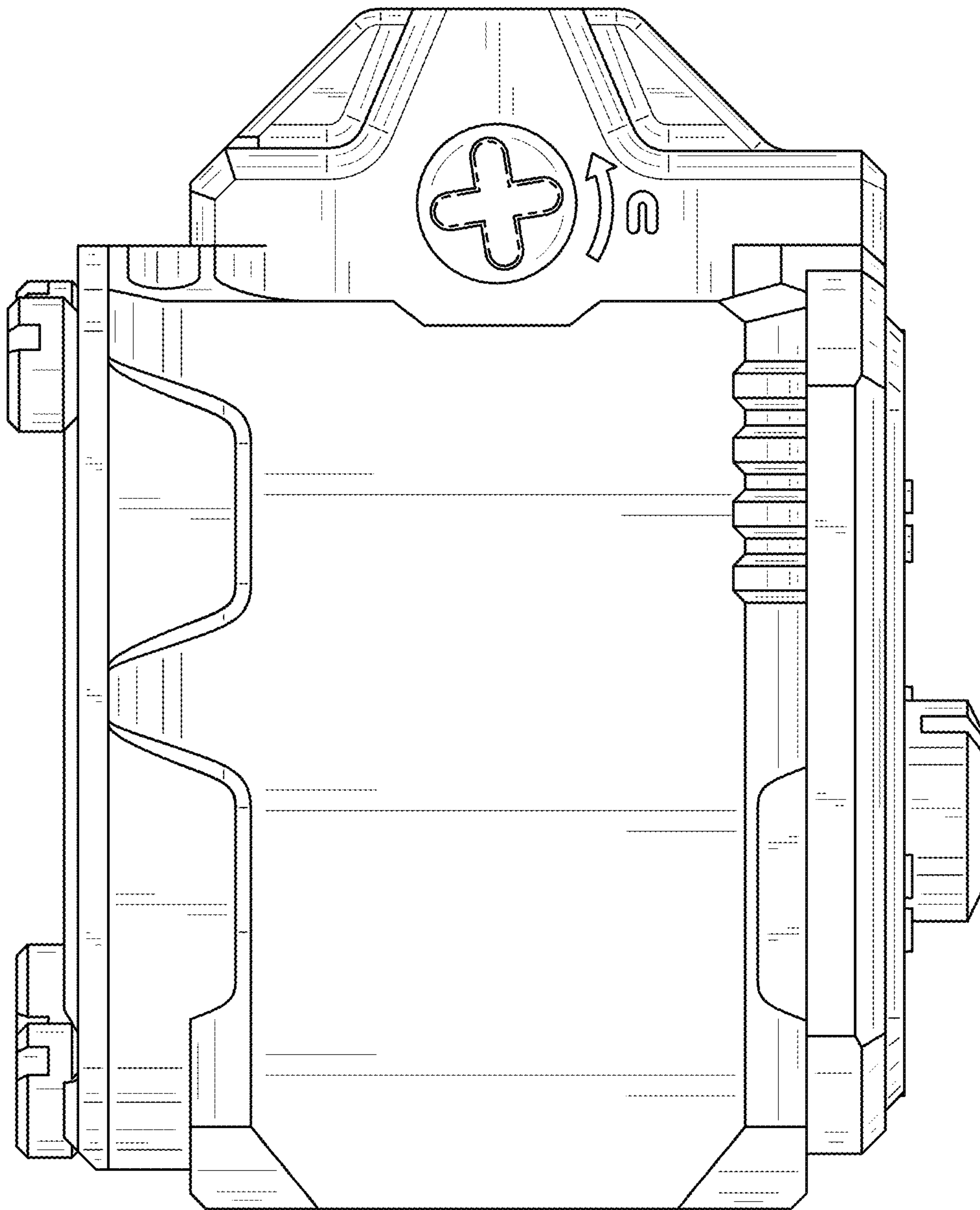


FIG. 5

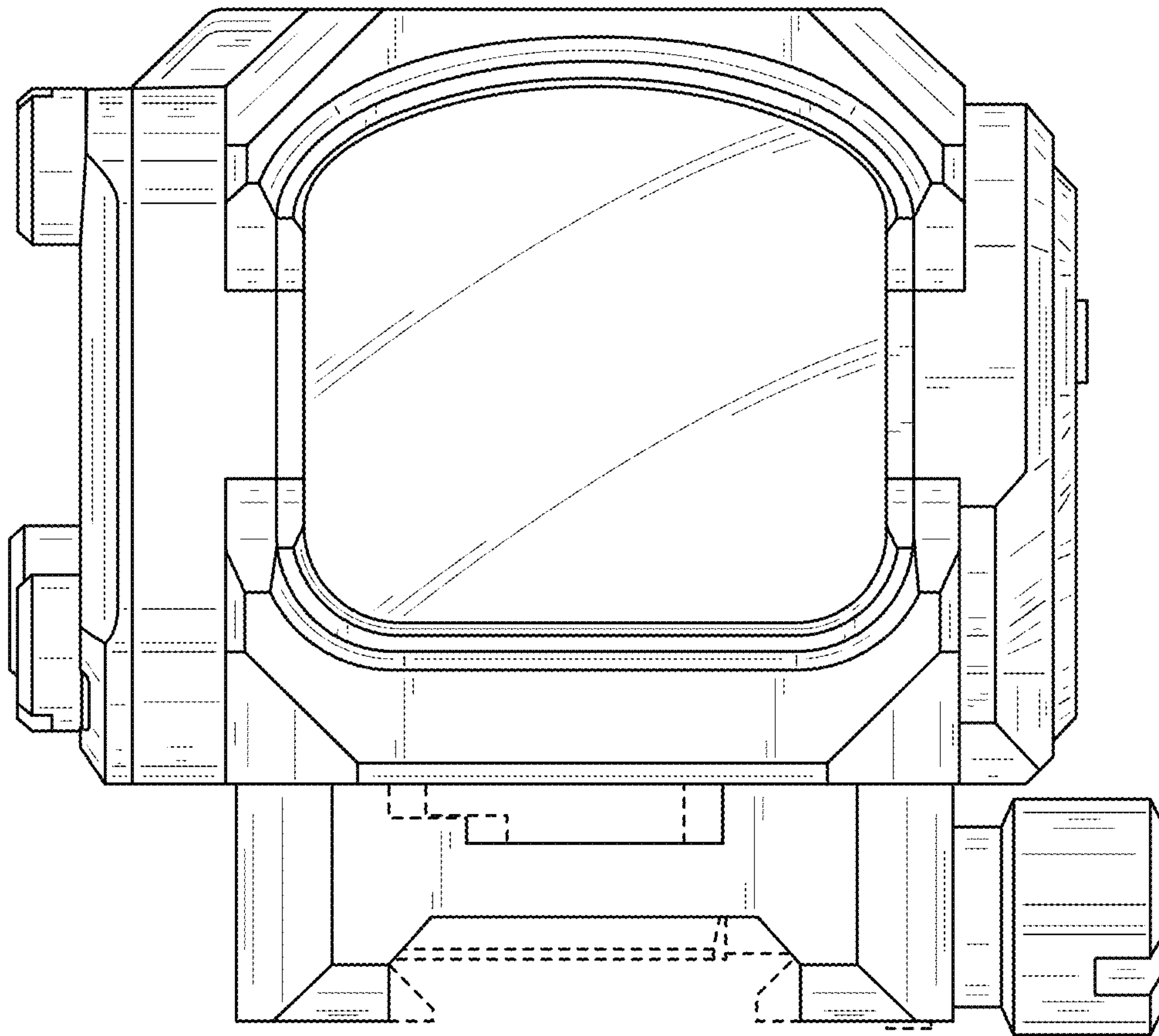


FIG. 6



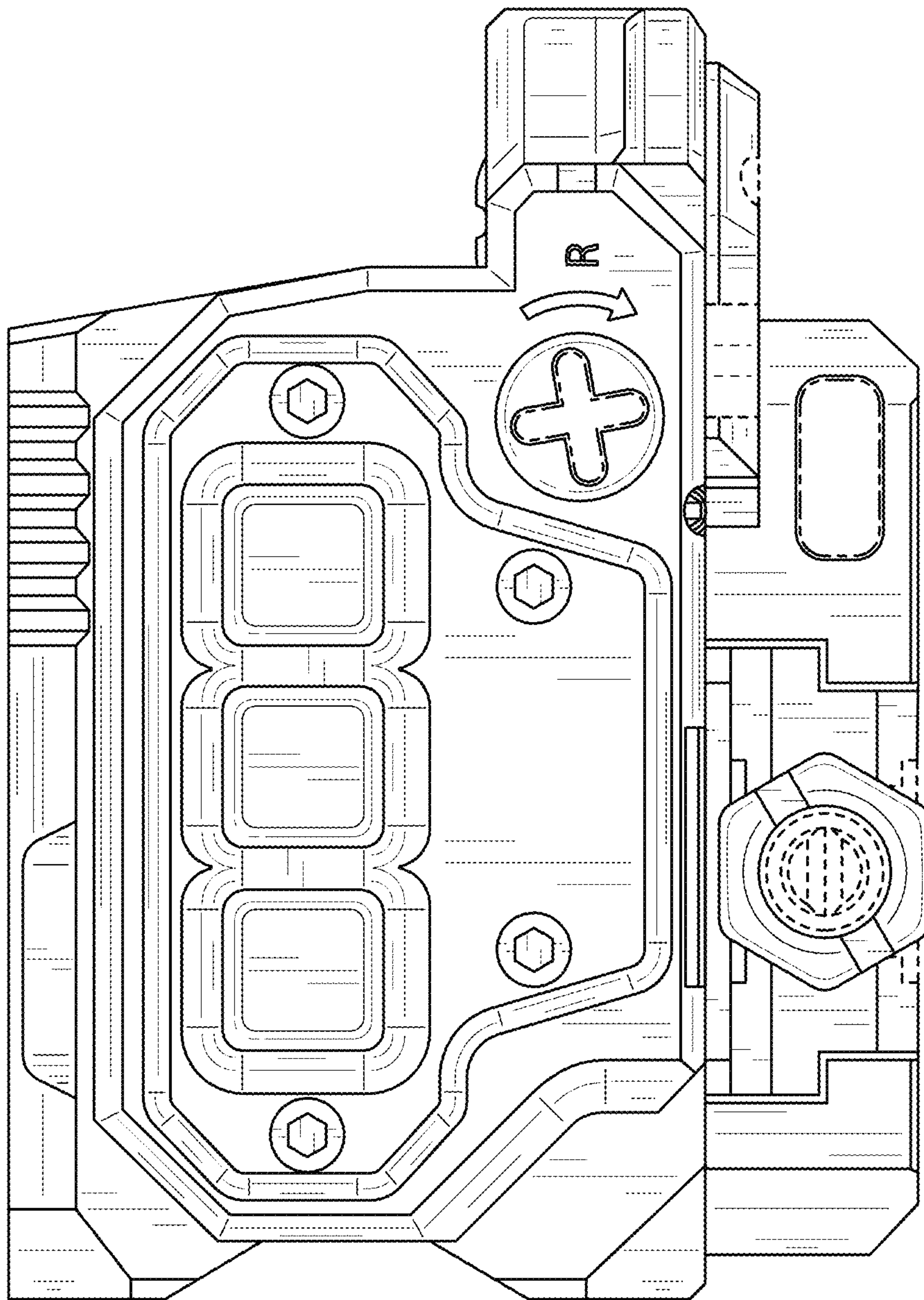


FIG. 7

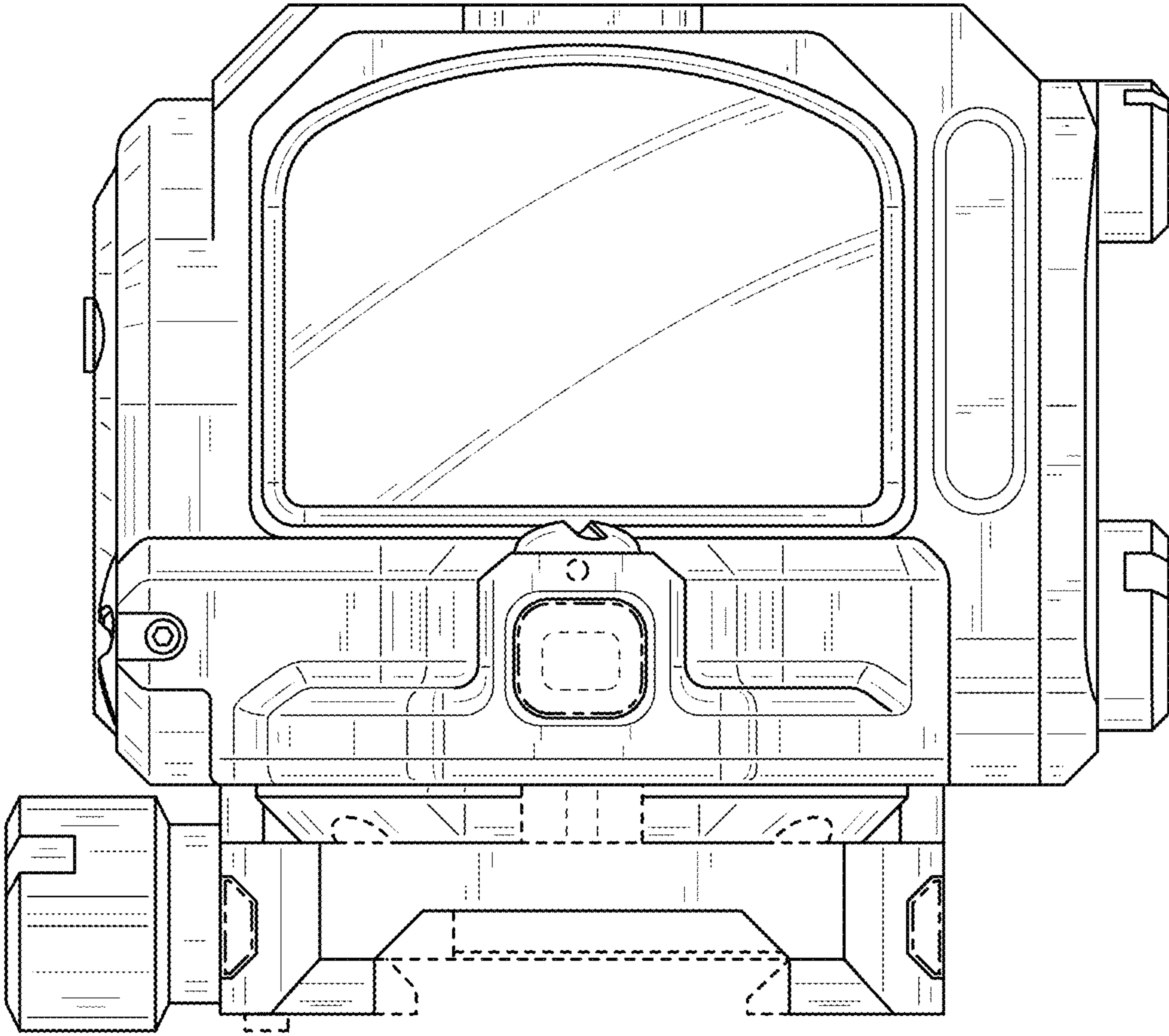


FIG. 8

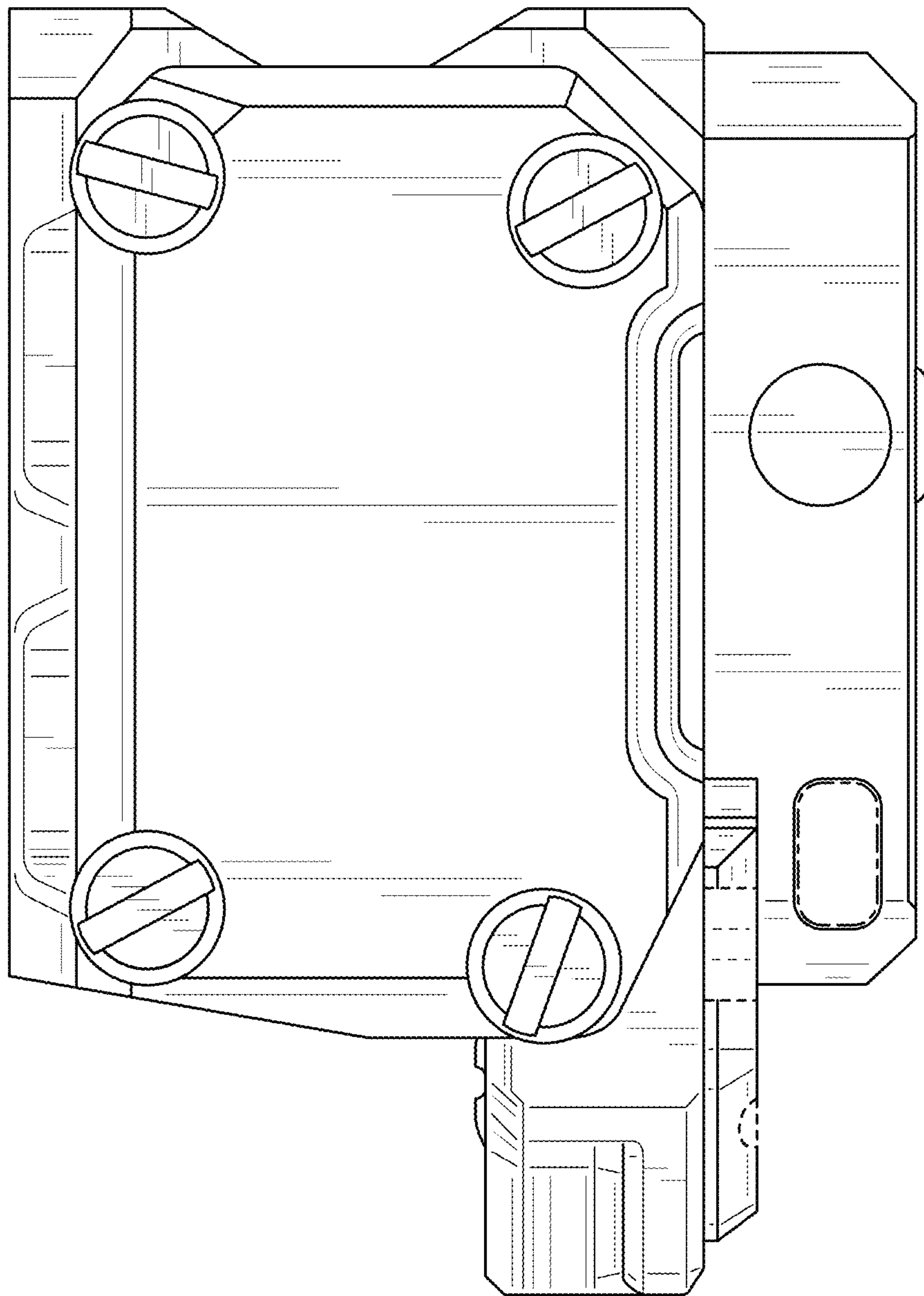


FIG. 9



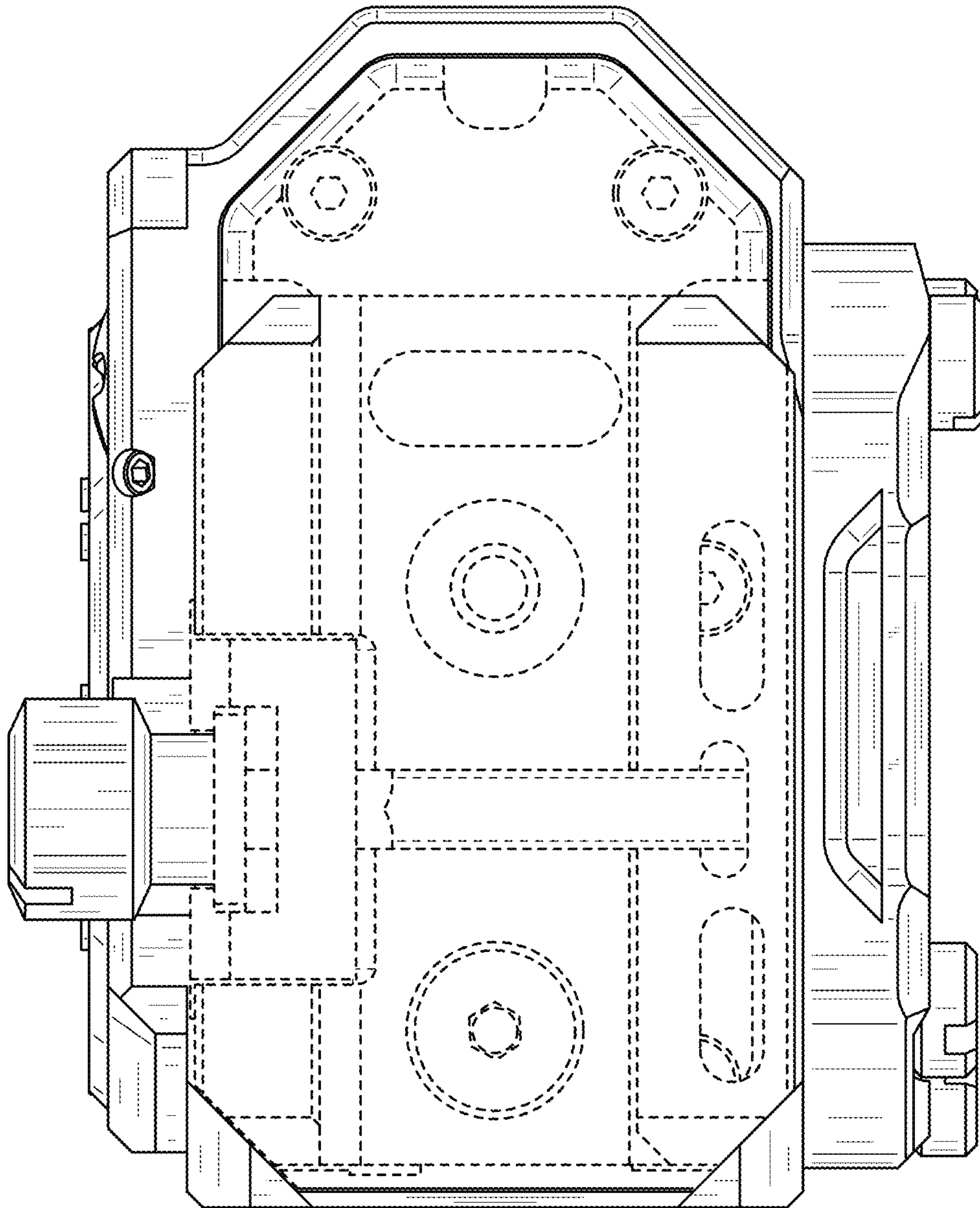


FIG. 10