



US00D875874S

(12) **United States Design Patent**
Oglesby

(10) **Patent No.:** **US D875,874 S**

(45) **Date of Patent:** **** Feb. 18, 2020**

(54) **BARREL FLUTING**

(71) Applicant: **Paul A. Oglesby**, Darley (GB)

(72) Inventor: **Paul A. Oglesby**, Darley (GB)

(**) Term: **15 Years**

(21) Appl. No.: **29/677,415**

(22) Filed: **Jan. 20, 2019**

primaryarms.com/cmc-triggers-fluted-glock-19-barrel-9mm-stainless> (Year: 2019).*

(Continued)

Primary Examiner — T Chase Nelson

Assistant Examiner — Jonathan J. Han

(74) *Attorney, Agent, or Firm* — Shaddock Law Group, PC

Related U.S. Application Data

(60) Continuation-in-part of application No. 29/653,866, filed on Jun. 19, 2018, which is a division of application No. 29/597,721, filed on Mar. 20, 2017, now Pat. No. Des. 842,415.

(51) **LOC (12) Cl.** **22-01**

(52) **U.S. Cl.**
USPC **D22/108**

(58) **Field of Classification Search**
USPC D22/100, 101, 103, 104, 108–110;
D7/566; D9/641; D25/126, 128, 129;
215/400; D26/46, 49, 37, 38, 40, 51;
D8/83

CPC F41A 21/325; F41A 21/00; F41A 31/00;
F41A 21/30; F41B 5/00; F41C 27/00
See application file for complete search history.

(56) **References Cited**

U.S. PATENT DOCUMENTS

D279,812 S *	7/1985	Cellini	89/14.3
D349,147 S *	7/1994	Gwinn, Jr.	D22/108
D378,186 S *	2/1997	Braun	D8/107
D393,318 S *	4/1998	Wolter	D24/133

(Continued)

OTHER PUBLICATIONS

CMC Triggers Glock 19 Gen3-4 Fluted Barrel—Stainless, PrimaryArms.com, [online], [site visited Jul. 21, 2019]. <URL: <https://www.primaryarms.com/cmc-triggers-fluted-glock-19-barrel-9mm-stainless>>

(57) **CLAIM**

The ornamental design for a barrel fluting, as shown and described.

DESCRIPTION

FIG. 1 is an upper, right, front perspective view of an exemplary embodiment of the barrel fluting, showing my new design;

FIG. 2 is an upper, left, front perspective view thereof;

FIG. 3 is an upper, right, rear perspective view thereof;

FIG. 4 is an upper, left, rear perspective view thereof;

FIG. 5 is a right side view thereof;

FIG. 6 is a left side view thereof;

FIG. 7 is a top plan view thereof;

FIG. 8 is a bottom plan view thereof;

FIG. 9 is a front, cross-sectional view taken along line 9-9 of FIG. 5;

FIG. 10 is a front, cross-sectional view taken along line 10-10 of FIG. 5;

FIG. 11 is a front, cross-sectional view taken along line 11-11 of FIG. 5;

FIG. 12 is a rear, cross-sectional view taken along line 12-12 of FIG. 6;

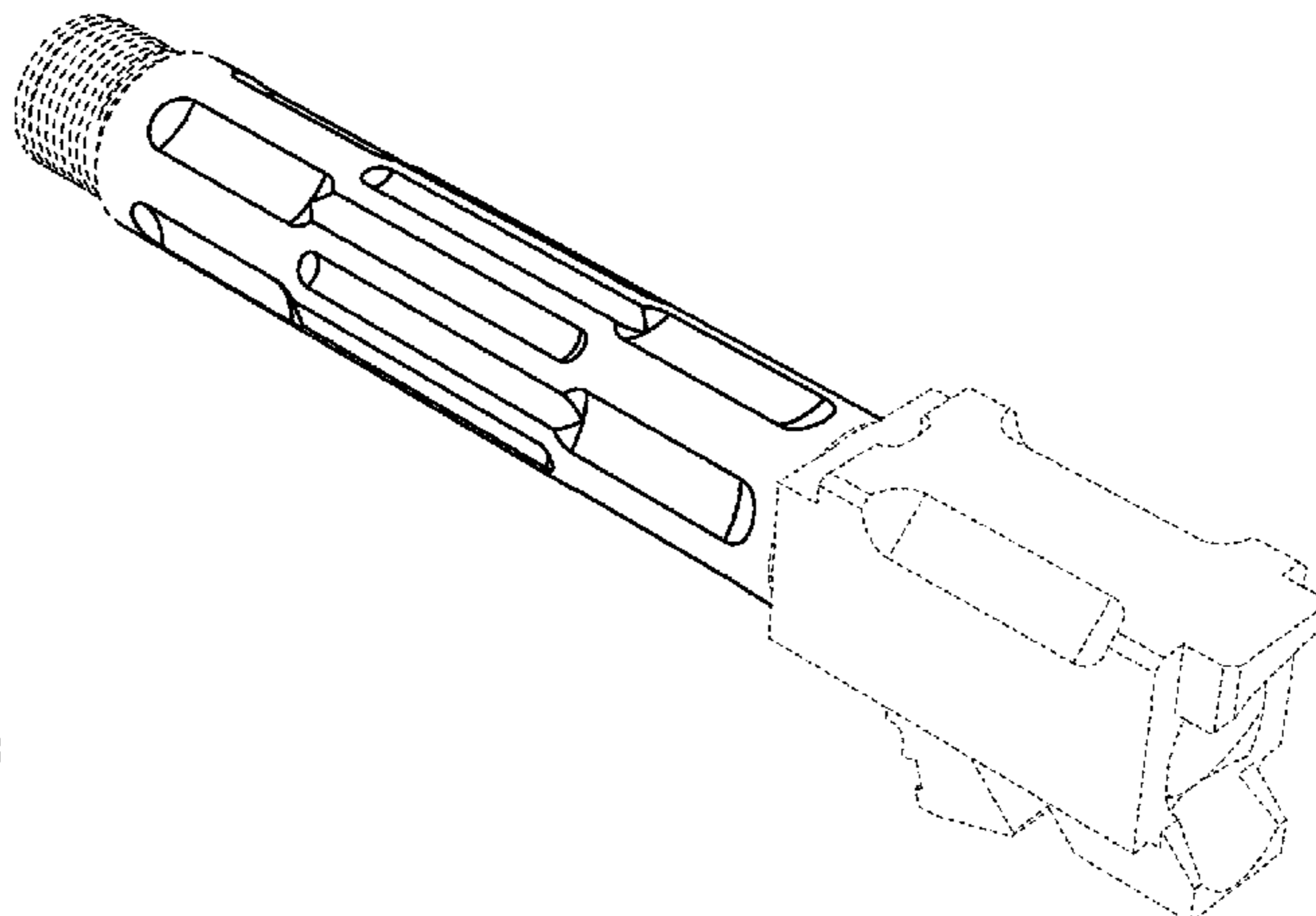
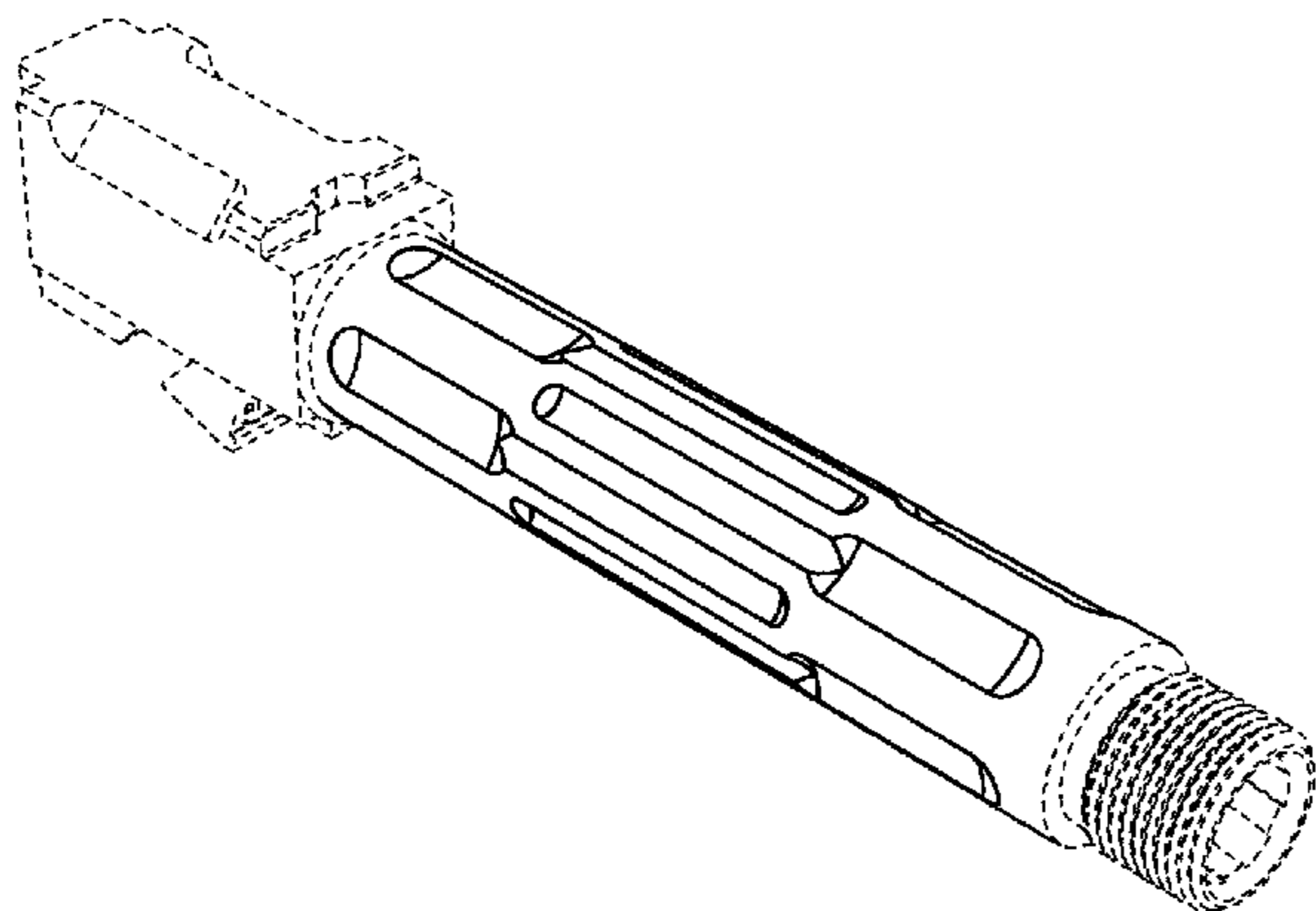
FIG. 13 is a rear, cross-sectional view taken along line 13-13 of FIG. 6;

FIG. 14 is a rear, cross-sectional view taken along line 14-14 of FIG. 6;

FIG. 15 is a front view thereof; and,

FIG. 16 is a rear view thereof.

(Continued)



The broken lines shown throughout the various figures depict additional structures that form no part of the claimed design.

1 Claim, 7 Drawing Sheets

(56)

References Cited

U.S. PATENT DOCUMENTS

6,425,310 B1 * 7/2002 Champion F41A 21/30
89/14.3
D471,096 S * 3/2003 Thorne D9/641
D473,961 S * 4/2003 Galli D26/49
D557,844 S * 12/2007 Shiu D26/44
D577,843 S * 9/2008 Couture D26/49
D606,687 S * 12/2009 Kim D26/46
D682,974 S * 5/2013 Honigmann D22/108
D702,982 S * 4/2014 DeMaria D7/301
D720,420 S * 12/2014 Chvala D22/108
D738,985 S * 9/2015 Montes D22/108
D754,273 S * 4/2016 Oglesby D22/108
D754,899 S * 4/2016 Cooper D26/44
D764,621 S * 8/2016 Dueck D22/108
D767,706 S * 9/2016 Shults D22/108
9,513,078 B1 * 12/2016 Fulton F41A 21/30
D780,356 S * 2/2017 Nguyen D26/49
D780,875 S * 3/2017 Sylvester D22/108
D792,549 S * 7/2017 McKillips D22/108
D795,986 S * 8/2017 Frederickson D22/108
D808,472 S * 1/2018 Chen D21/573
D809,084 S * 1/2018 Geissele D22/108
D811,636 S * 2/2018 Galli D26/49
D829,843 S * 10/2018 Oglesby D22/108
D829,845 S * 10/2018 Oglesby D22/108

D839,375 S * 1/2019 James D22/108
10,168,115 B1 * 1/2019 Oglesby F41A 3/68
D842,415 S * 3/2019 Oglesby D22/108
D842,418 S * 3/2019 Oglesby D22/108
2002/0023522 A1 * 2/2002 Layaou B25B 13/102
81/124.5
2010/0139145 A1 * 6/2010 Brittingham F41A 21/325
42/90
2010/0192932 A1 * 8/2010 Brewster F41B 5/1407
124/89
2013/0180150 A1 * 7/2013 Dueck F41A 21/325
42/90
2014/0231168 A1 * 8/2014 Dueck F41A 21/325
181/223
2014/0237881 A1 * 8/2014 Mack F41A 21/325
42/90
2016/0216055 A1 * 7/2016 Wilkinson F41A 5/28
2017/0038172 A1 * 2/2017 Palu F41A 21/30

OTHER PUBLICATIONS

M&P Full Size Flame Fluted Barrel, 9mm, 416-R, Nitride, Non-Threaded, FaxonFirearm.com, [online], [site visited Jul. 21, 2019]. <URL: <https://faxonfirearms.com/m-p-full-size-flame-fluted-barrel-9mm-416-r-nitride-non-threaded/>> (Year: 2019).*

Agency Arms Mid Line Match Grade Drop-In Threaded, Fluted Barrel Glock 19, PewTactical.com, [online], [site visited Jul. 21, 2019]. <URL: <https://pewtactical.com/agency-arms-mid-line-match-grade-drop-in-threaded-fluted-barrel-glock-19/>> (Year: 2019).*

Alpha Wolf Replacement Barrel Glock 26 9mm Fluted Barrel Threaded, TexasShootersSupply.com, [online], [site visited Jul. 21, 2019]. <URL: <https://texasshooterssupply.com/product/alpha-wolf-replacement-barrel-glock-26-9mm-fluted-barrel-threaded/>> (Year: 2019).*

* cited by examiner

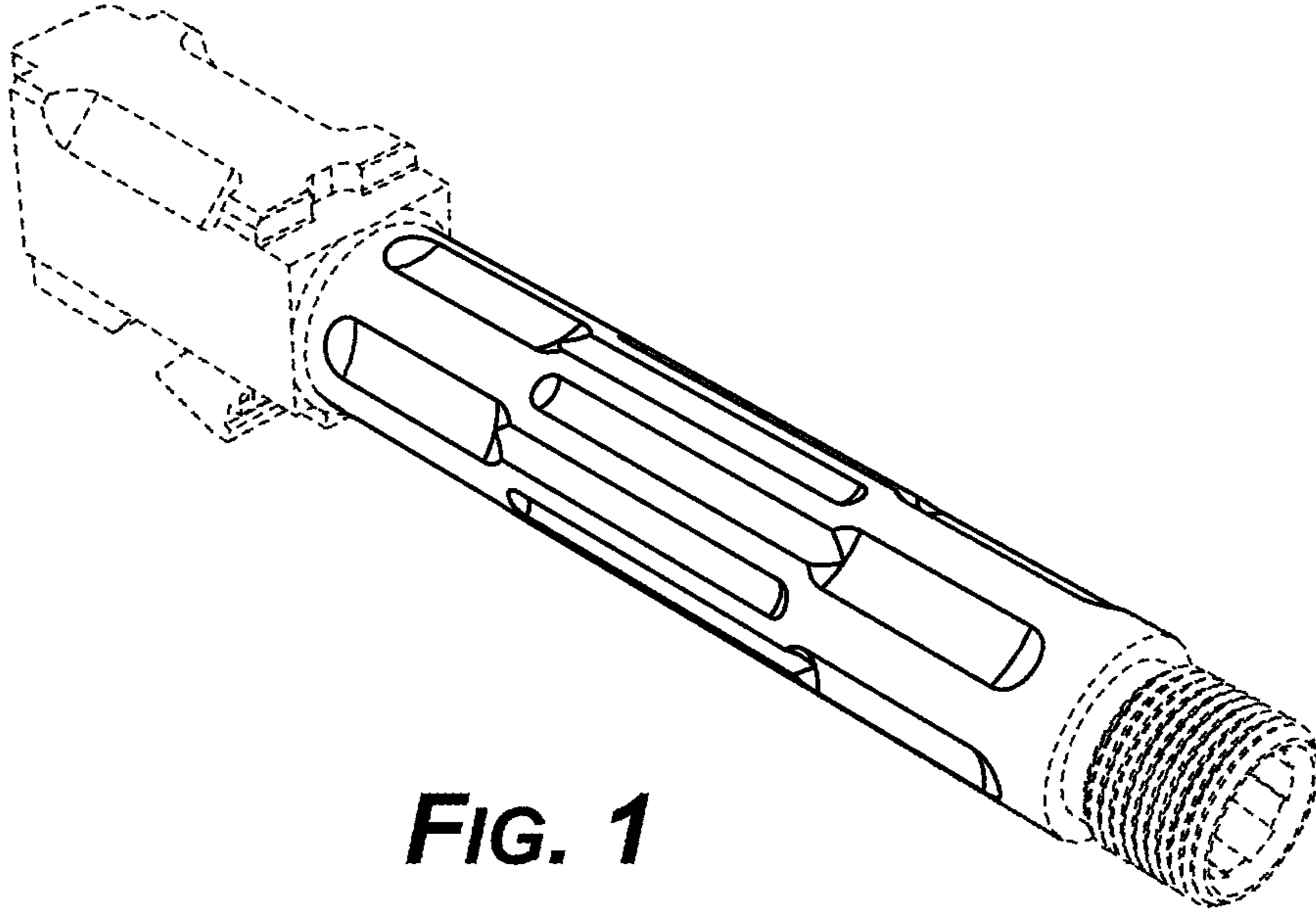


FIG. 1

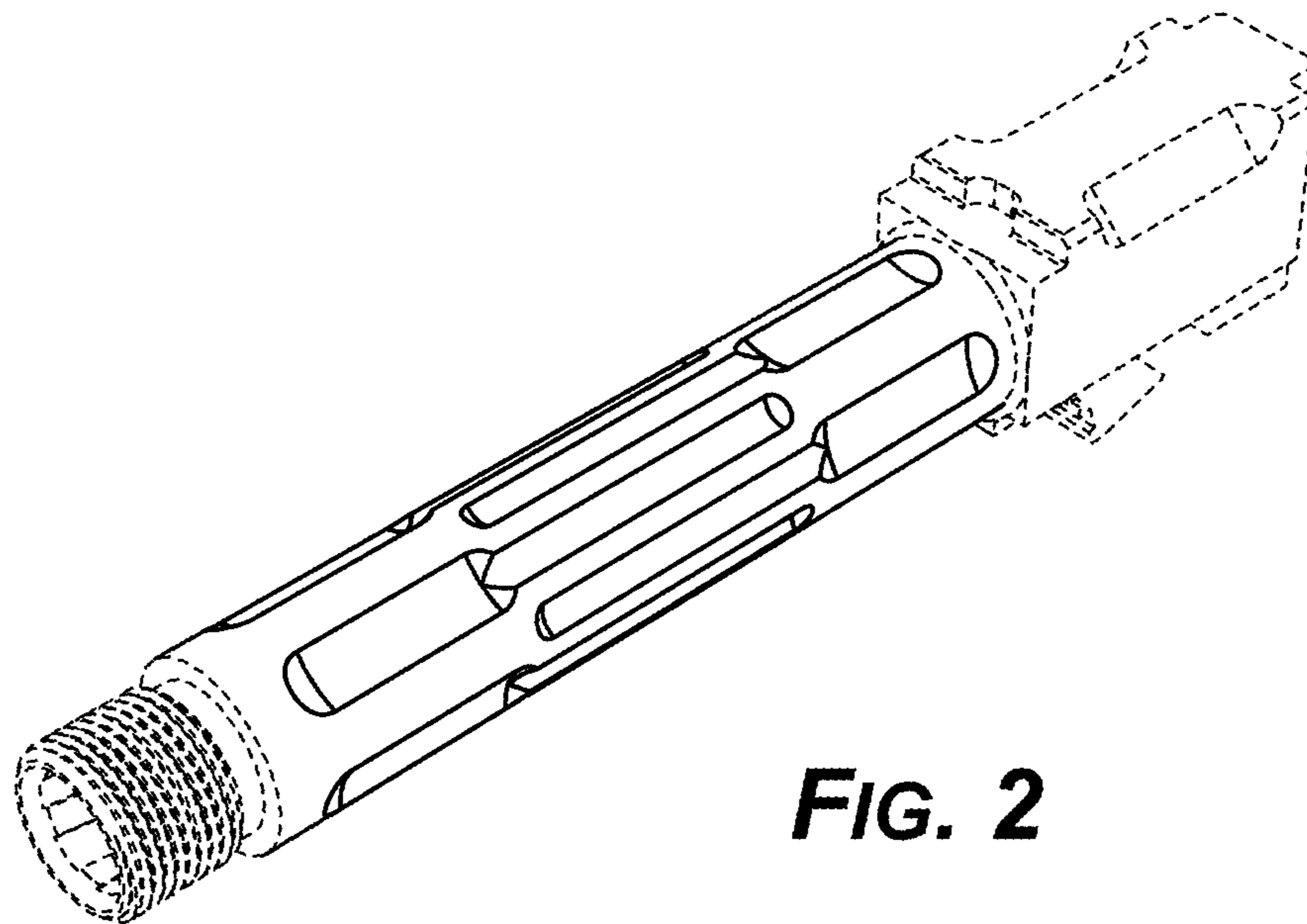


FIG. 2

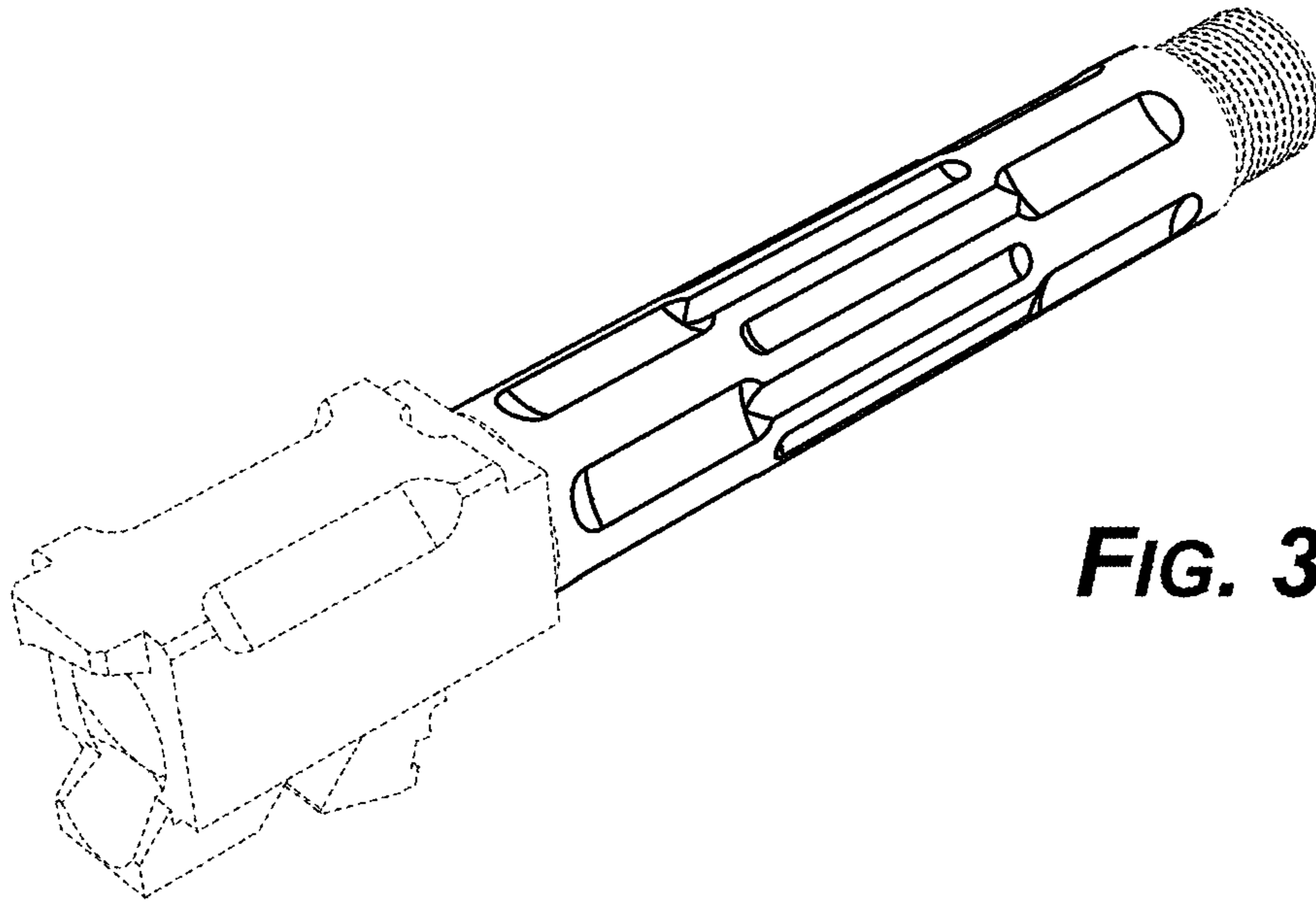


FIG. 3

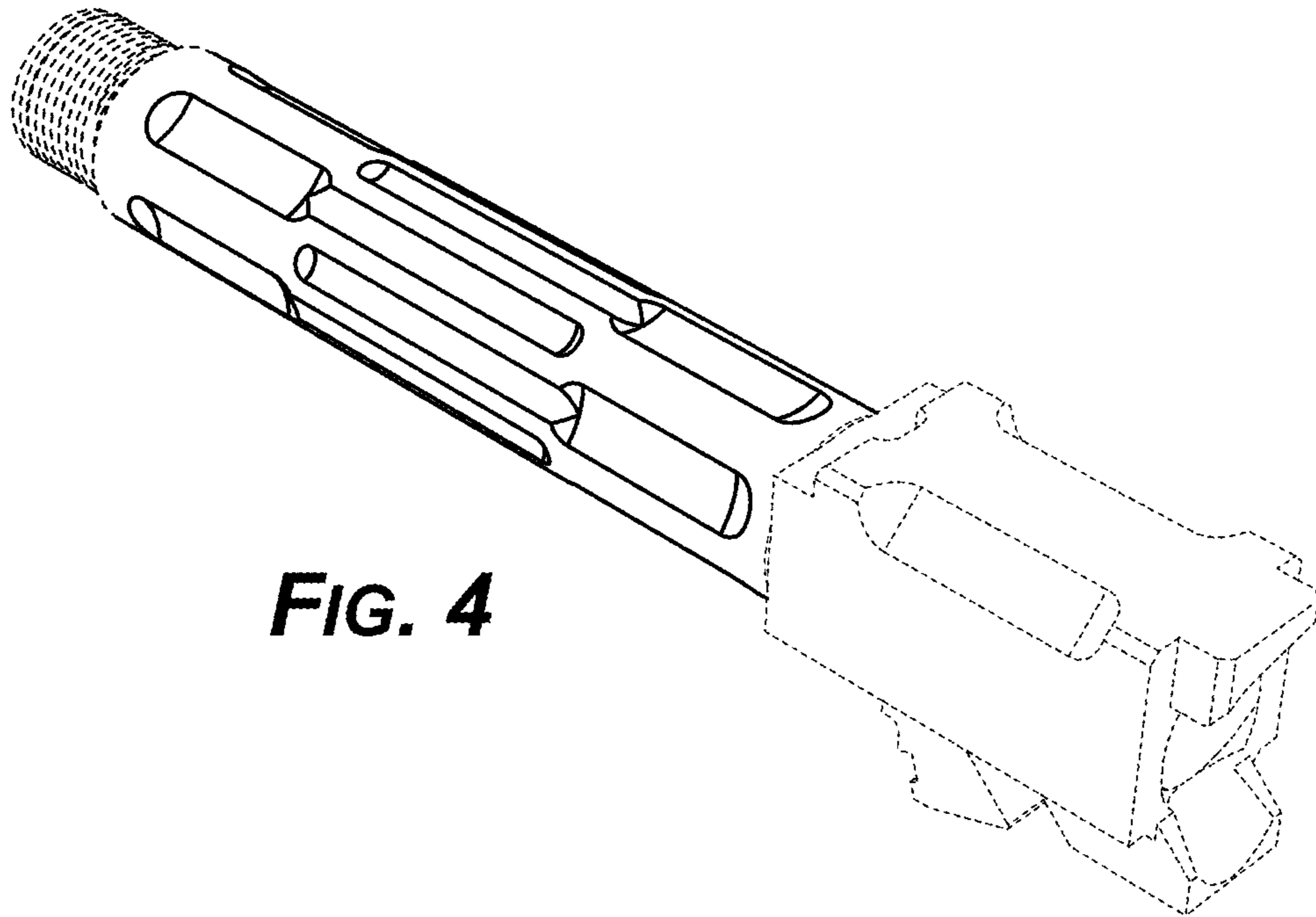


FIG. 4

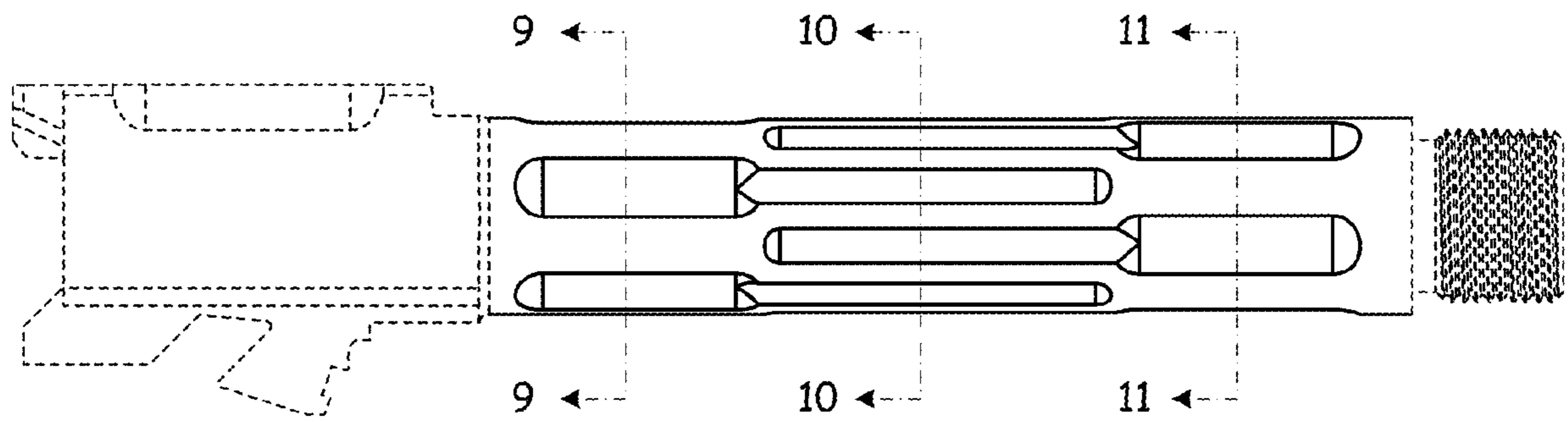


FIG. 5

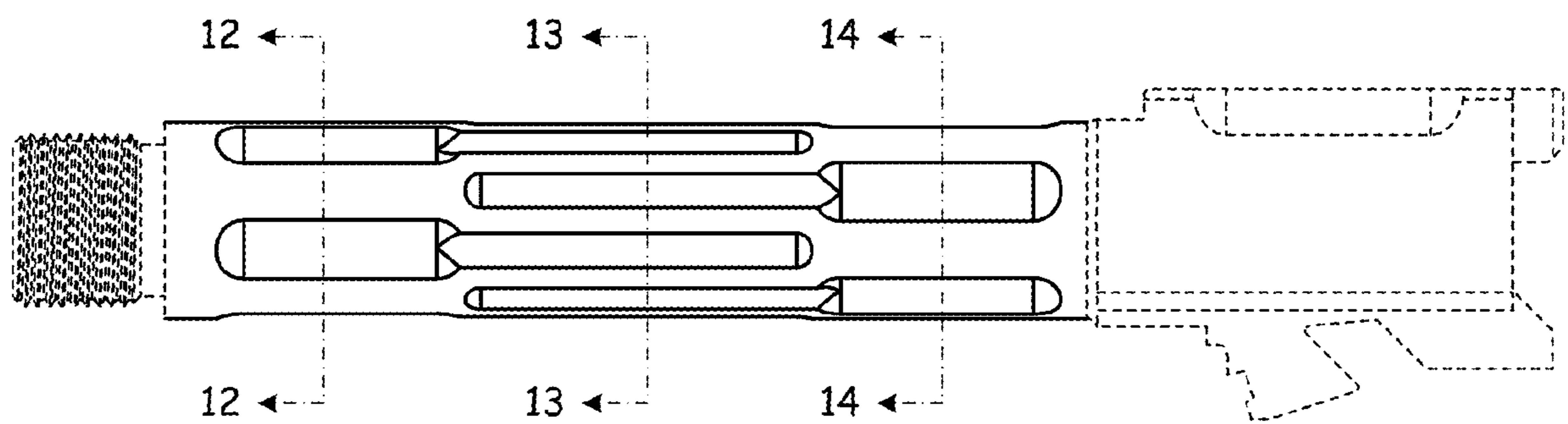


FIG. 6

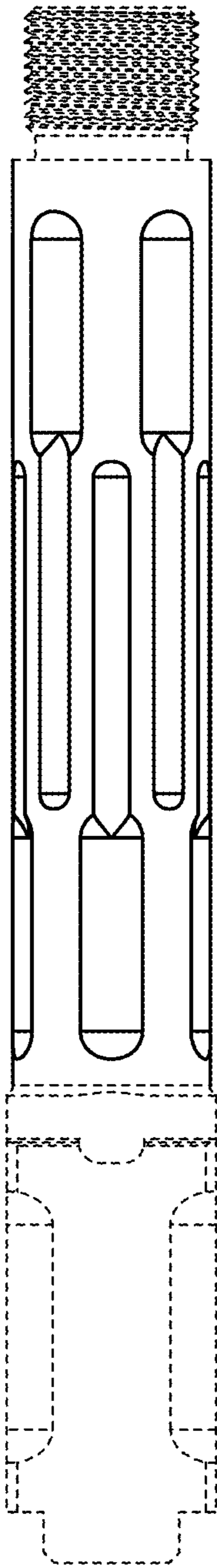


FIG. 7

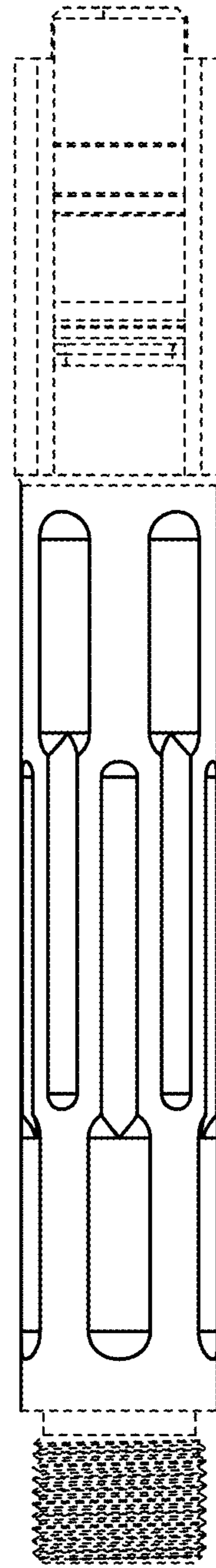


FIG. 8

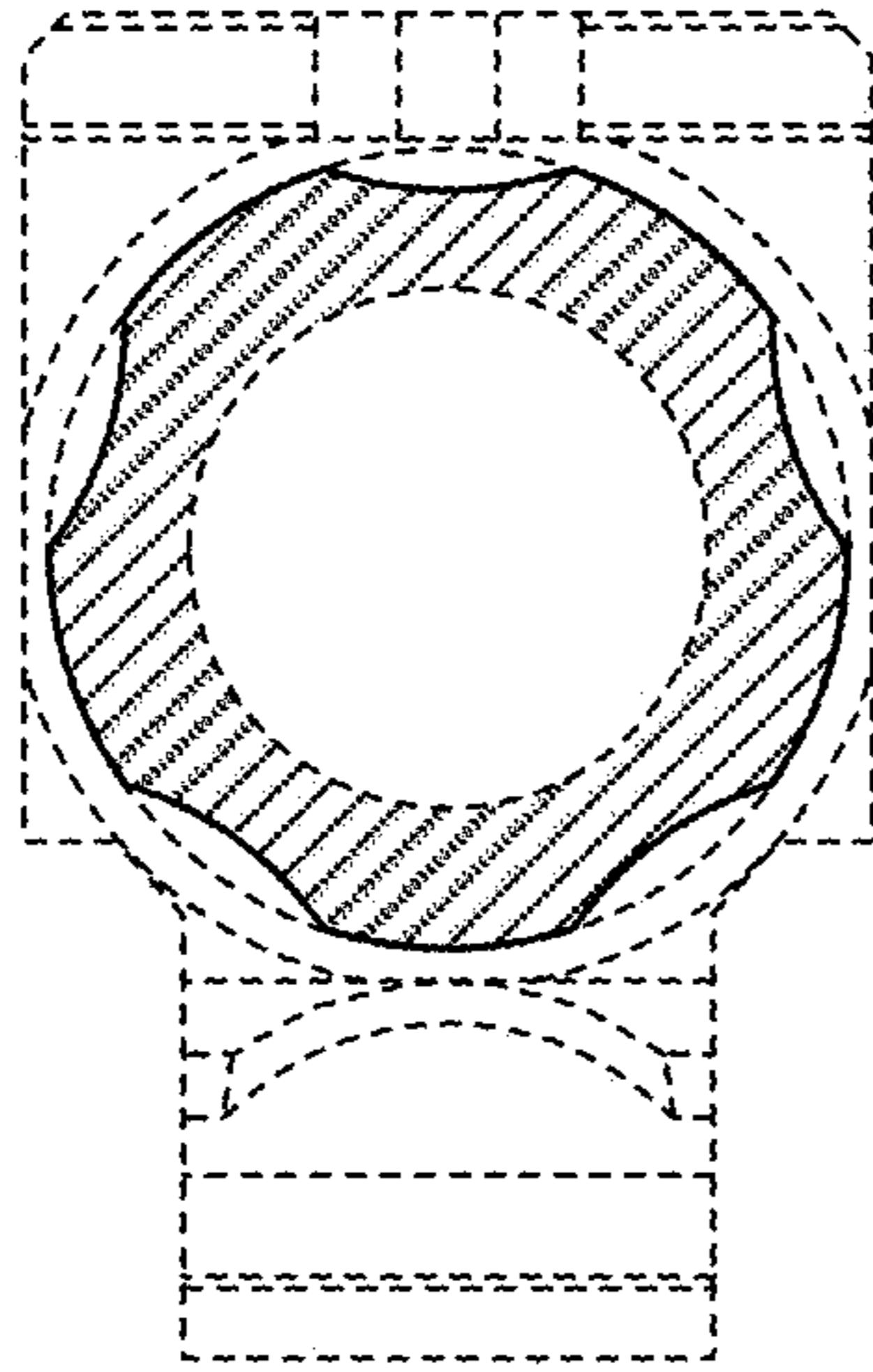


FIG. 9

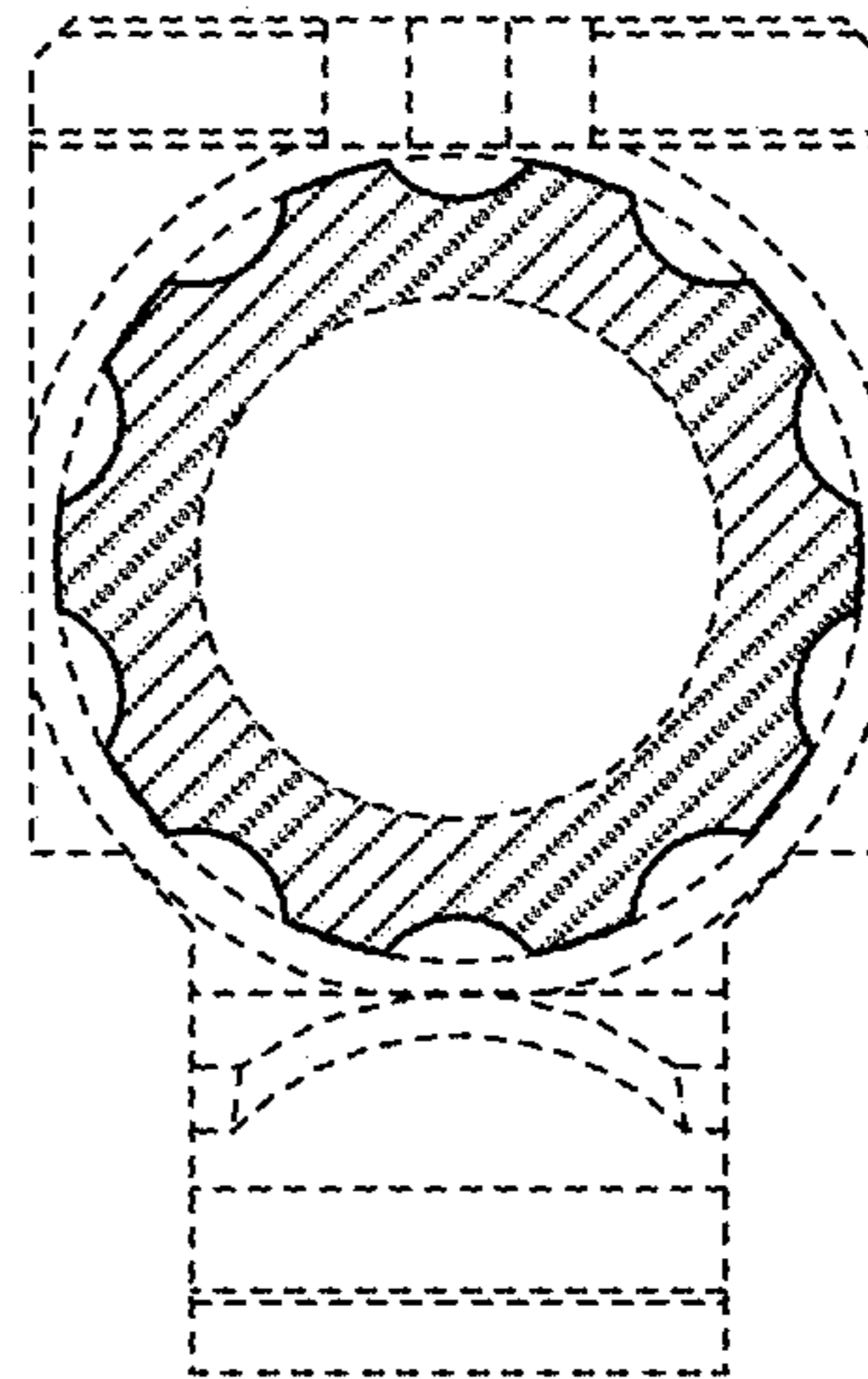


FIG. 10

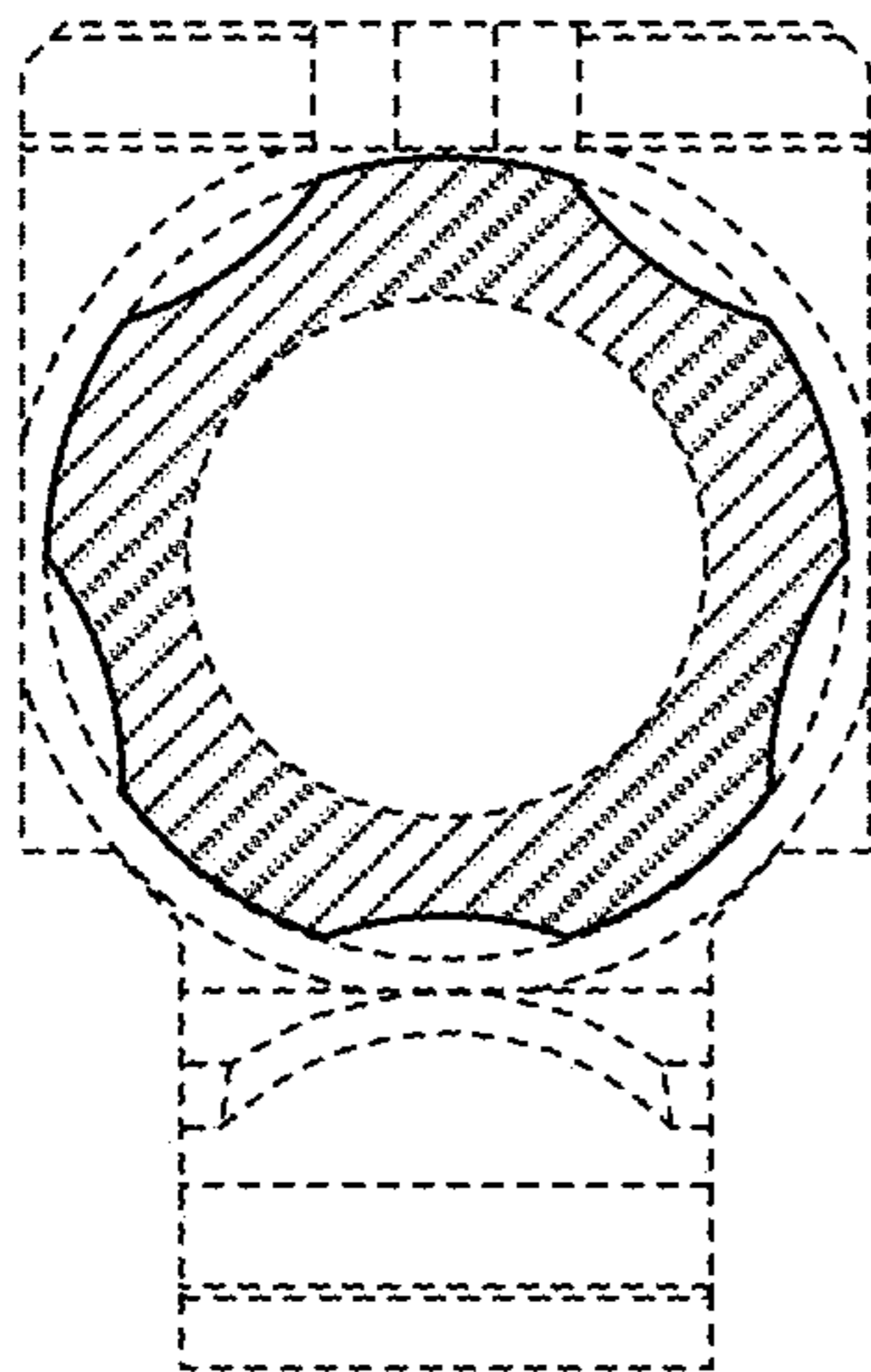


FIG. 11

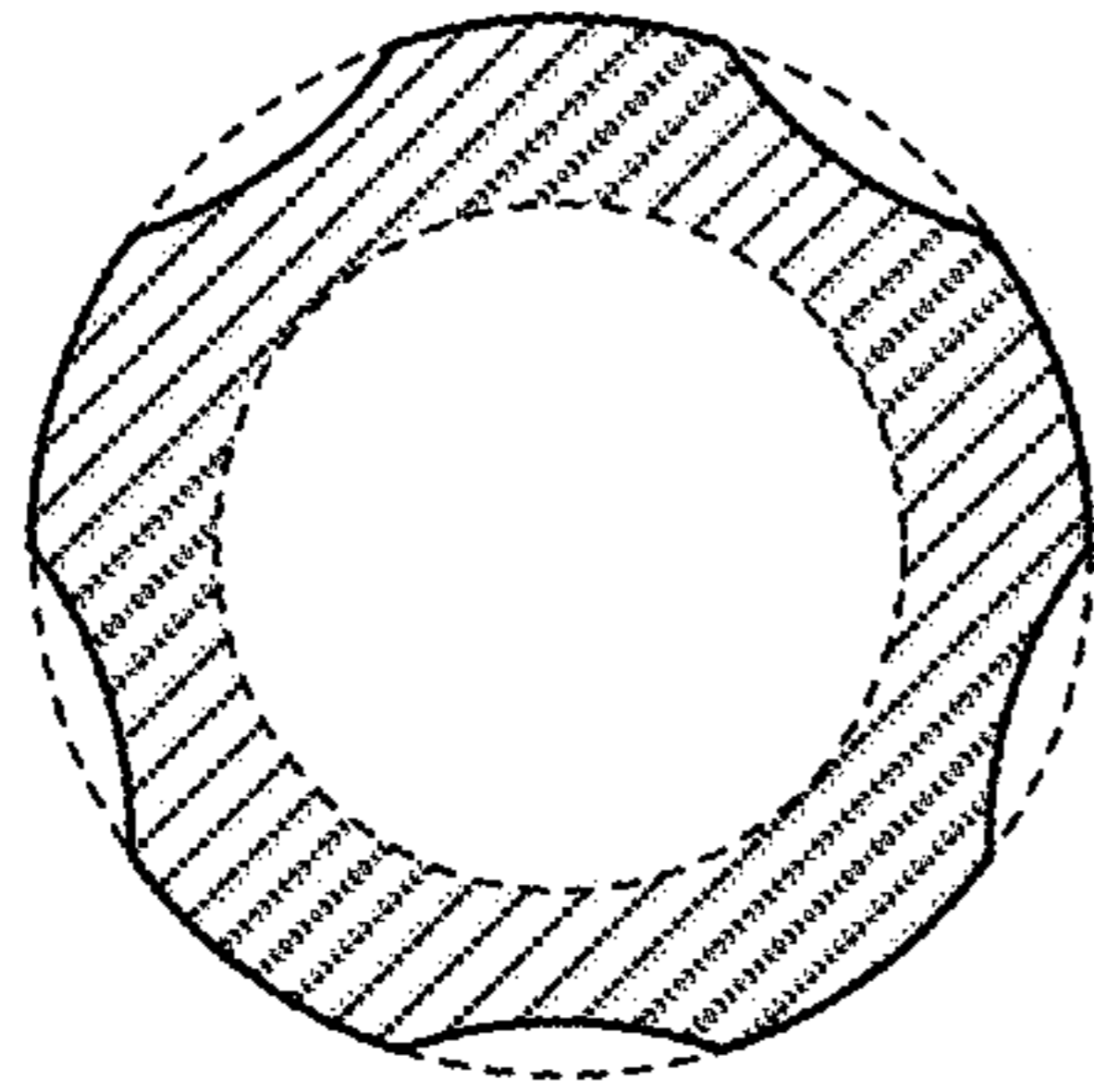


FIG. 12

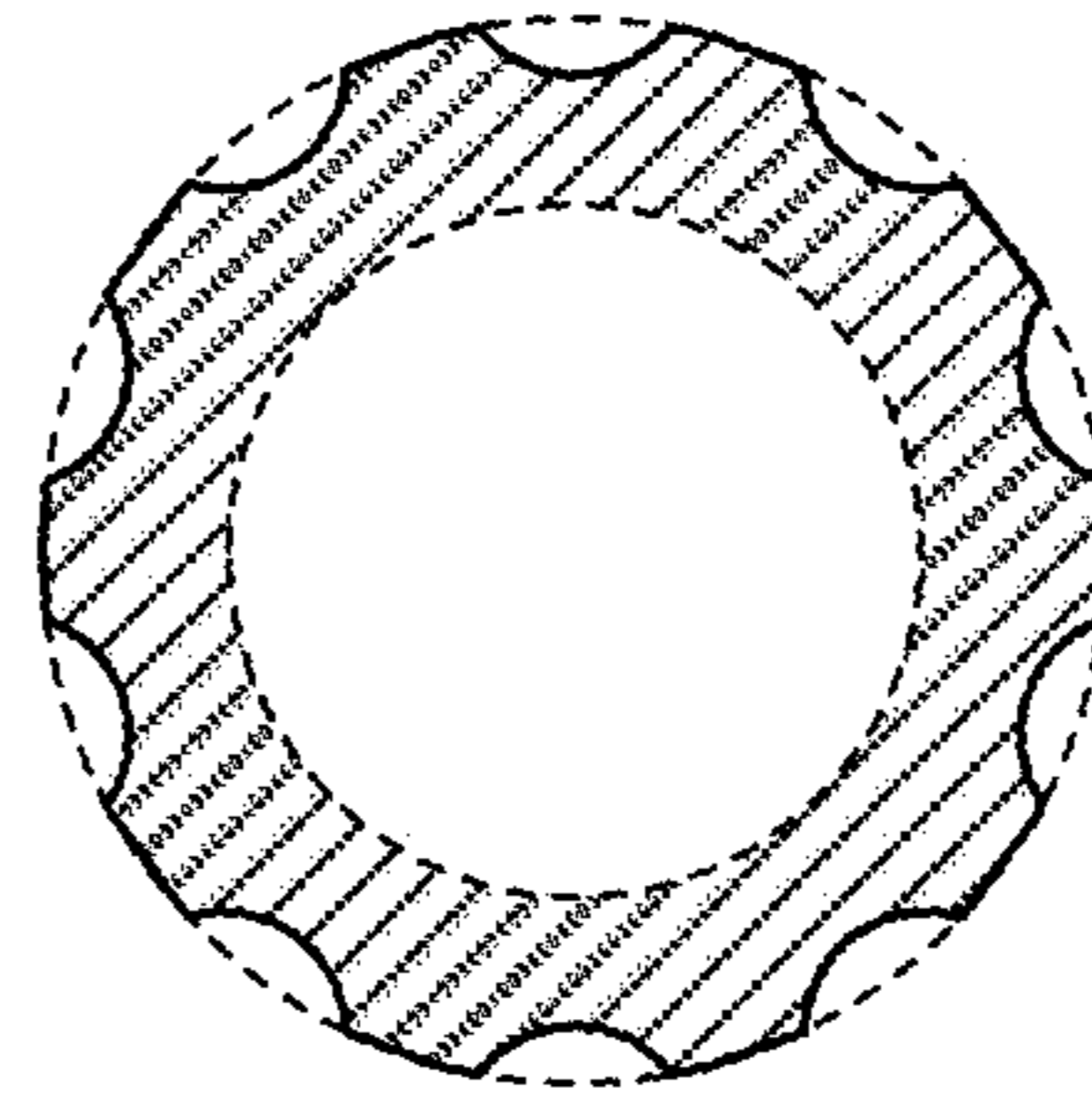


FIG. 13

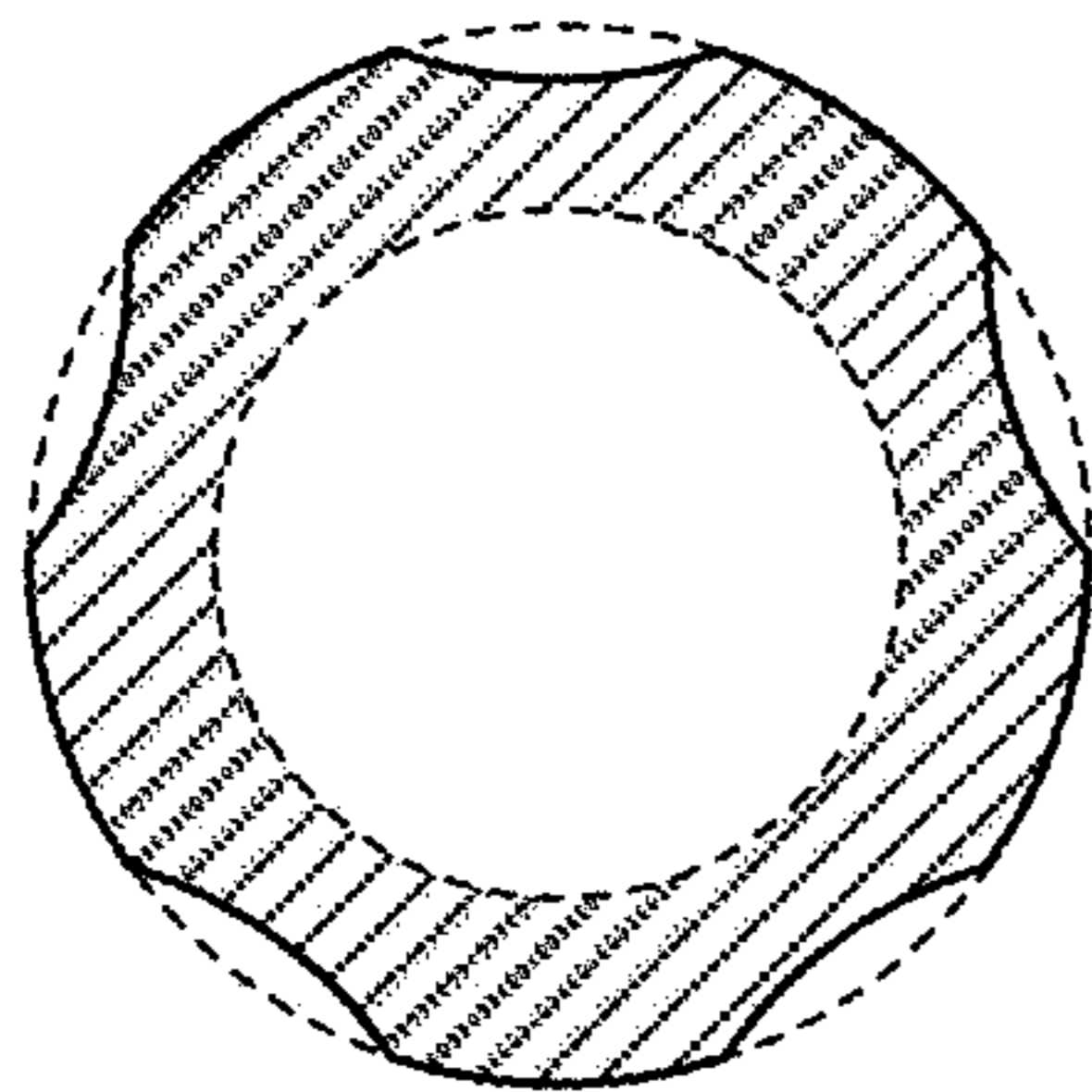


FIG. 14

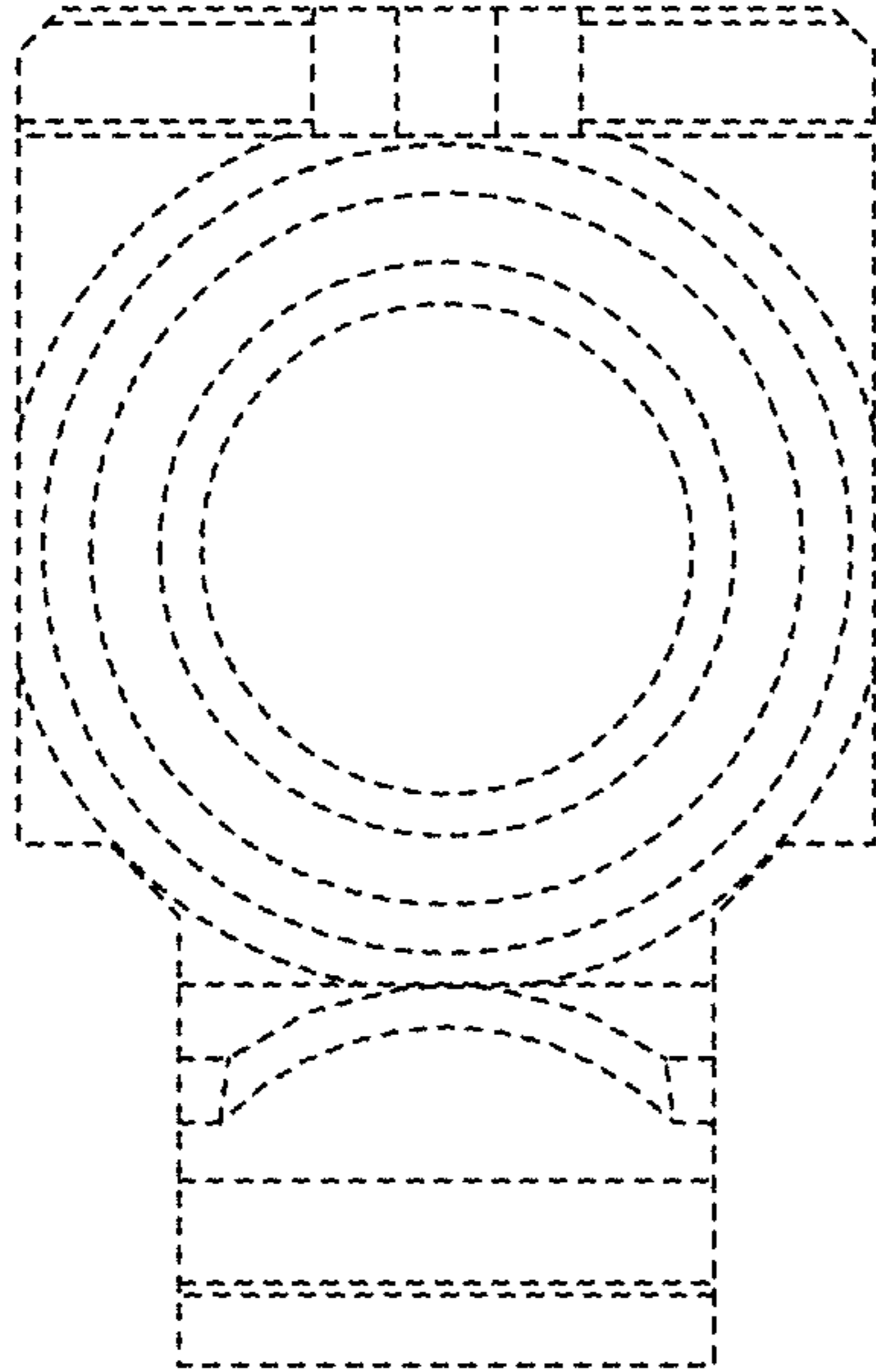


FIG. 15

FIG. 16

