



US00D875873S

(12) **United States Design Patent**
Robinson

(10) **Patent No.:** **US D875,873 S**

(45) **Date of Patent:** **** Feb. 18, 2020**

(54) **FIREARM TRIGGER GUARD**

(71) Applicant: **WHG Properties, LLC**, North Wales, PA (US)

(72) Inventor: **Frank E. Robinson**, Schwenksville, PA (US)

(73) Assignee: **WHG Properties, LLC**, North Wales, PA (US)

(**) Term: **15 Years**

(21) Appl. No.: **29/670,897**

(22) Filed: **Nov. 20, 2018**

(51) **LOC (12) Cl.** **22-01**

(52) **U.S. Cl.**
USPC **D22/108**

(58) **Field of Classification Search**
USPC D22/100, 103, 104, 105, 108, 109, 110,
D22/111, 199; D21/567, 573, 574, 575
(Continued)

(56) **References Cited**

U.S. PATENT DOCUMENTS

D627,415 S * 11/2010 Finn D22/108
D702,310 S * 4/2014 Larson D22/108
(Continued)

OTHER PUBLICATIONS

“AR-15 Enhanced Trigger Guard” [online]. phoenixweaponry.com. [Retrieved on Oct. 27, 2019]. Retrieved from the Internet: <<https://www.phoenixweaponry.com/store/AR-15-Enhanced-Trigger-Guard-p131025556>>.*

Primary Examiner — Khawaja Anwar

Assistant Examiner — Mojtaba Tehrani

(74) *Attorney, Agent, or Firm* — Fox Rothschild LLP

(57) **CLAIM**

The ornamental design for a firearm trigger guard, as shown and described.

DESCRIPTION

FIG. 1 is a top, back, left perspective view of a first embodiment of a firearm trigger guard in accordance with the present disclosure.

FIG. 2 is a bottom, front, left perspective view of the firearm trigger guard of FIG. 1.

FIG. 3 is a front view of the firearm trigger guard of FIG. 1.

FIG. 4 is a back view of the firearm trigger guard of FIG. 1.

FIG. 5 is a right side view of the firearm trigger guard of FIG. 1.

FIG. 6 is a left side view of the firearm trigger guard of FIG. 1.

FIG. 7 is a bottom view of the firearm trigger guard of FIG. 1.

FIG. 8 is a top view of the firearm trigger guard of FIG. 1.

FIG. 9 is a top, front, left perspective view of the firearm trigger guard of FIG. 1, shown in an environment of use.

FIG. 10 is a top, back, left perspective view of the firearm trigger guard of FIG. 1, shown in an environment of use.

FIG. 11 is a bottom, front, left perspective view of the firearm trigger guard of FIG. 1, shown in an environment of use.

FIG. 12 is a bottom, back, left perspective view of the firearm trigger guard of FIG. 1, shown in an environment of use.

FIG. 13 is a left side view of the firearm trigger guard of FIG. 1, shown in an environment of use.

FIG. 14 is a top, front, left perspective view of a second embodiment of a firearm trigger guard in accordance with the present disclosure.

FIG. 15 is a top, back, left perspective view of the firearm trigger guard of FIG. 14.

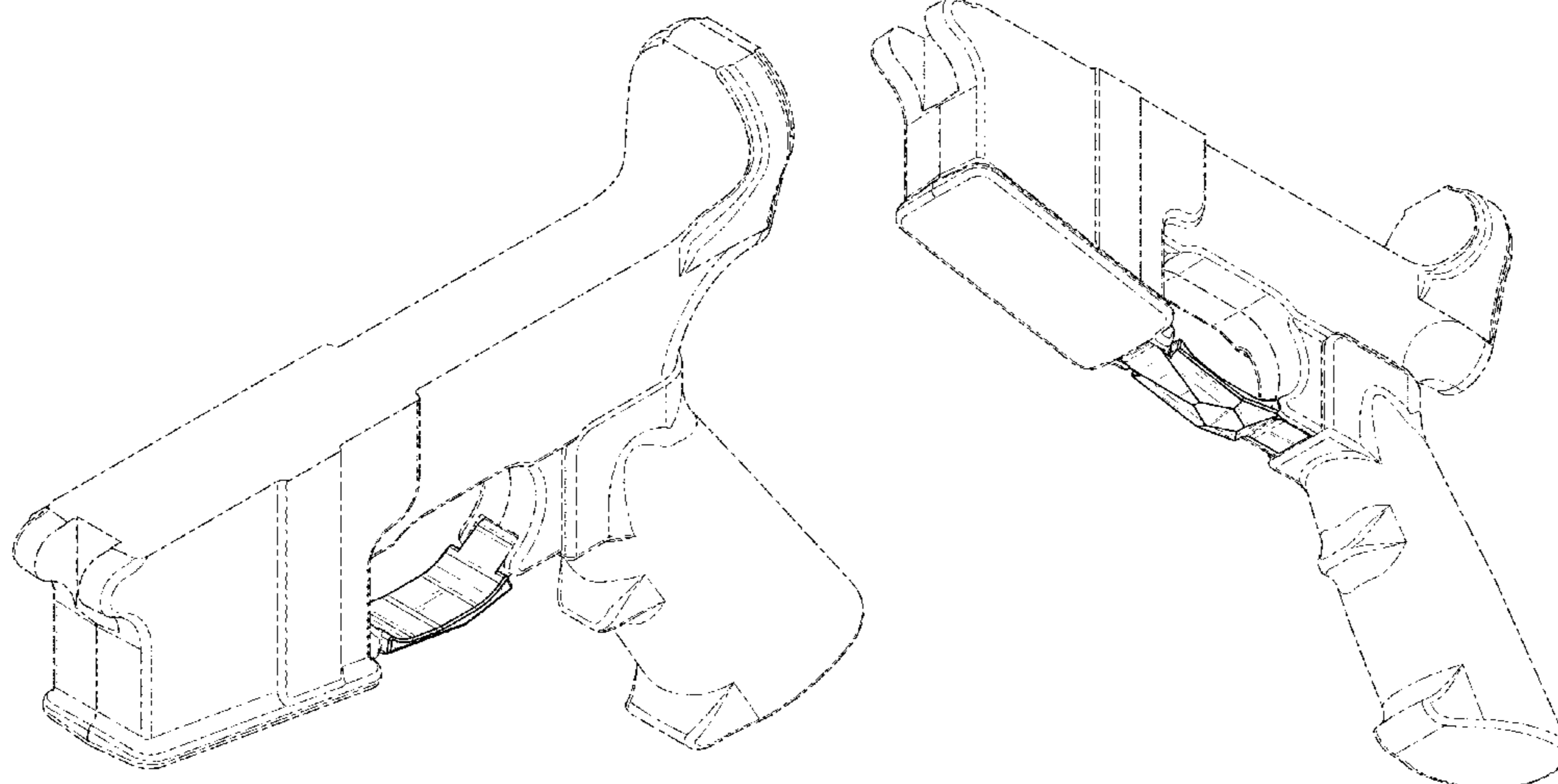
FIG. 16 is a bottom, front, left perspective view of the firearm trigger guard of FIG. 14.

FIG. 17 is a bottom, back, left perspective view of the firearm trigger guard of FIG. 14; and,

FIG. 18 is a left side view of the firearm trigger guard of FIG. 14.

The broken lines in the Figures illustrate portions of the article that form no part of the claimed design.

1 Claim, 12 Drawing Sheets



(58) **Field of Classification Search**

CPC F41C 23/04; F41C 23/08; F41C 23/16;
F41G 1/02; F41G 1/027; F41G 1/06;
F41A 17/46; F41A 19/11

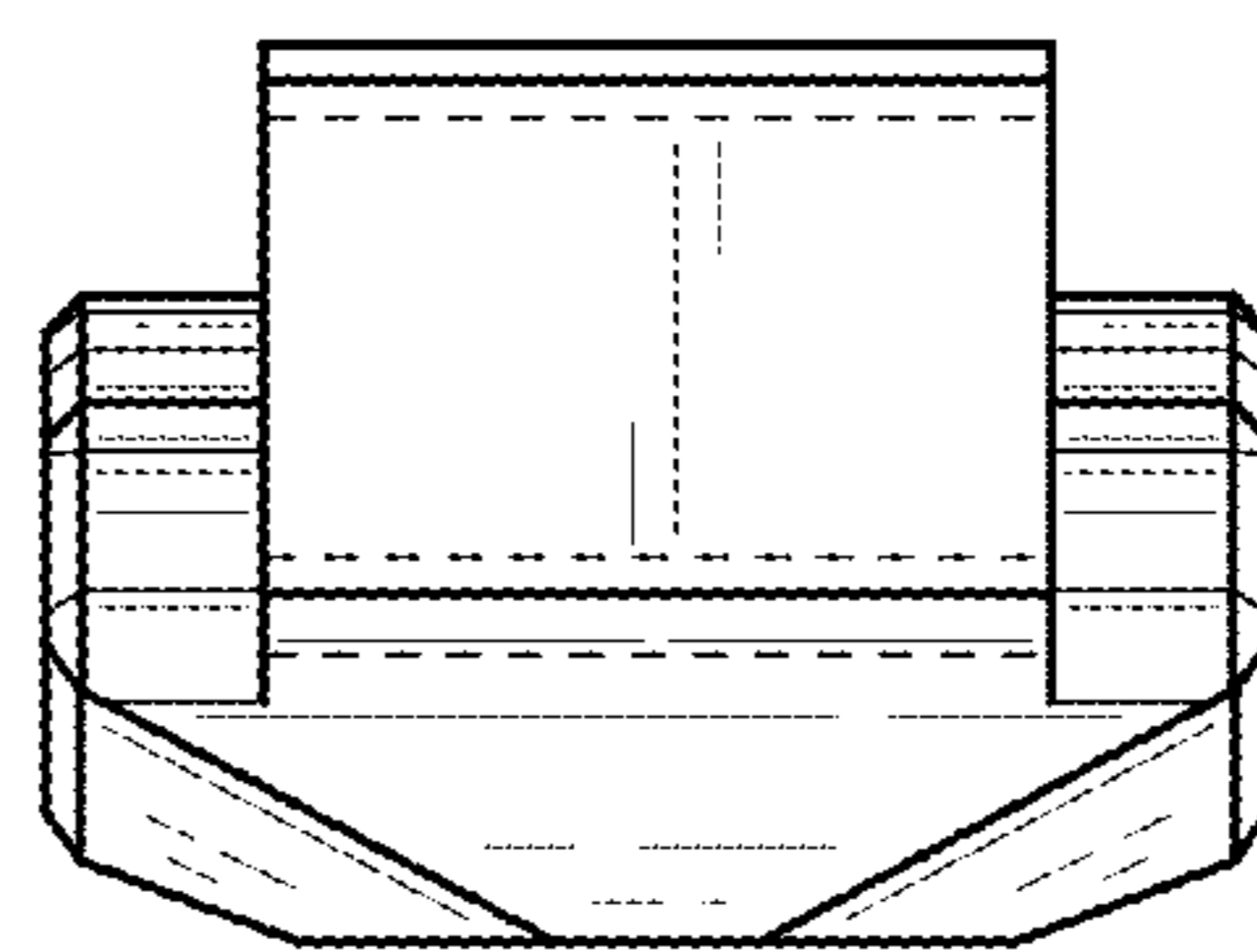
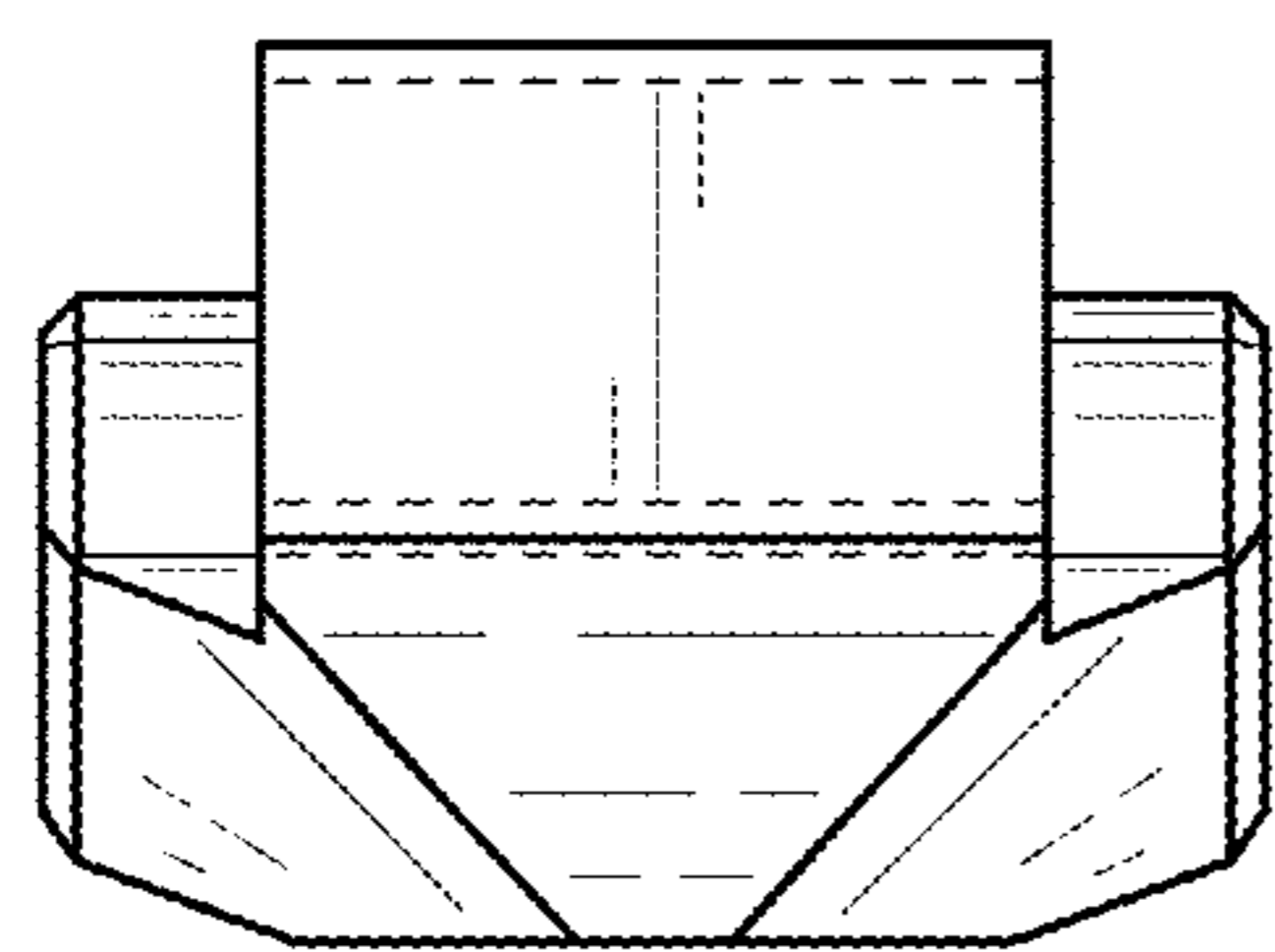
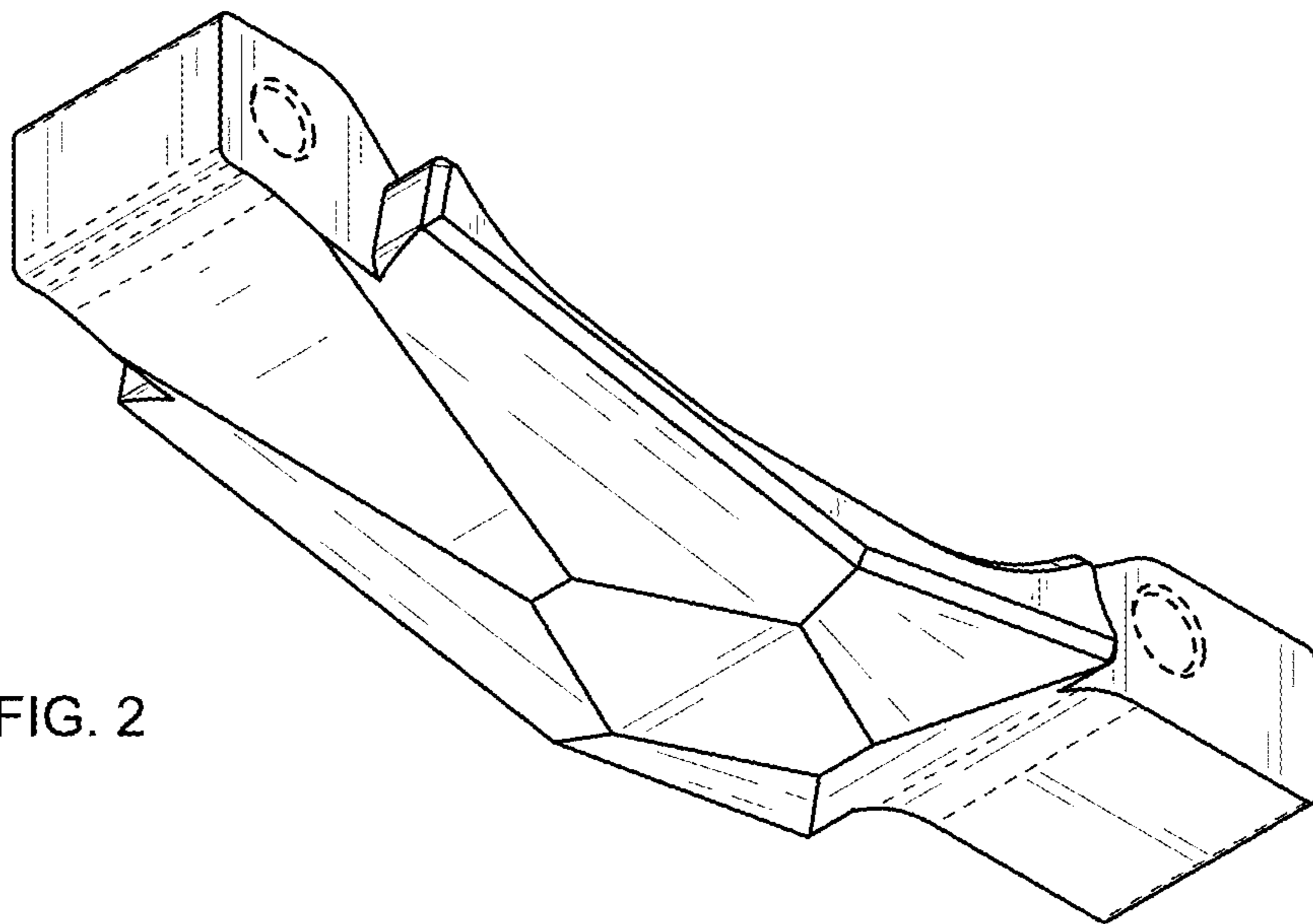
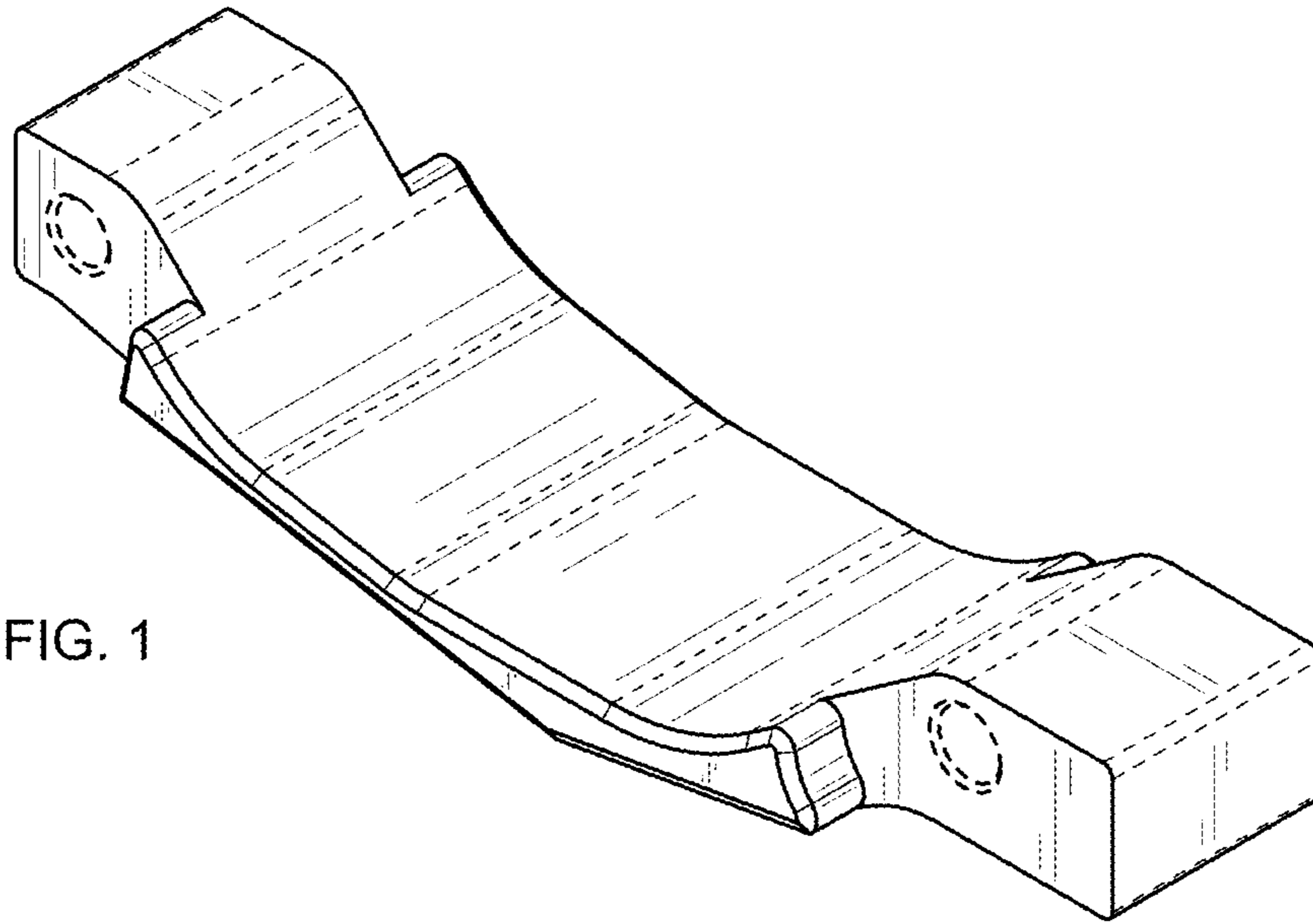
See application file for complete search history.

(56) **References Cited**

U.S. PATENT DOCUMENTS

D702,801	S *	4/2014	Larson	D22/108
8,985,006	B1 *	3/2015	Christensen	F41A 17/82 89/142
9,003,685	B1 *	4/2015	Huang	F41A 19/11 42/70.07
D728,726	S *	5/2015	Daniel	D22/108
9,217,618	B1 *	12/2015	Miller	F41A 19/11
D755,327	S *	5/2016	Siddle	D22/108
D786,385	S *	5/2017	Sapio	D22/108
D805,154	S *	12/2017	Steele	D22/108
9,927,197	B1 *	3/2018	Geissele	F41A 19/10
D820,937	S *	6/2018	Hiler, Jr.	D22/108
D835,225	S *	12/2018	Podgurny	D22/108
D838,802	S *	1/2019	Oglesby	D22/108
2009/0241395	A1 *	10/2009	Barnett	F41A 3/12 42/16

* cited by examiner



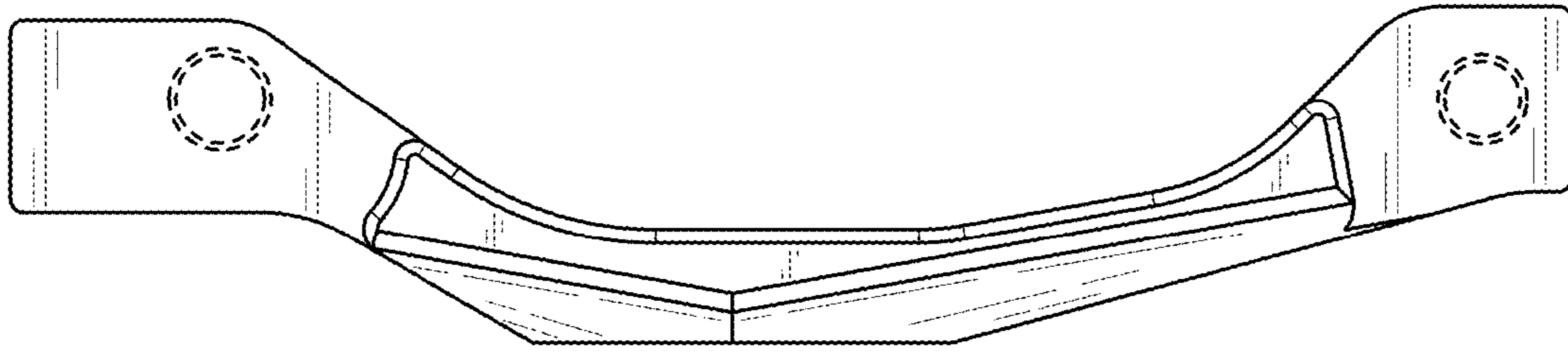


FIG. 5

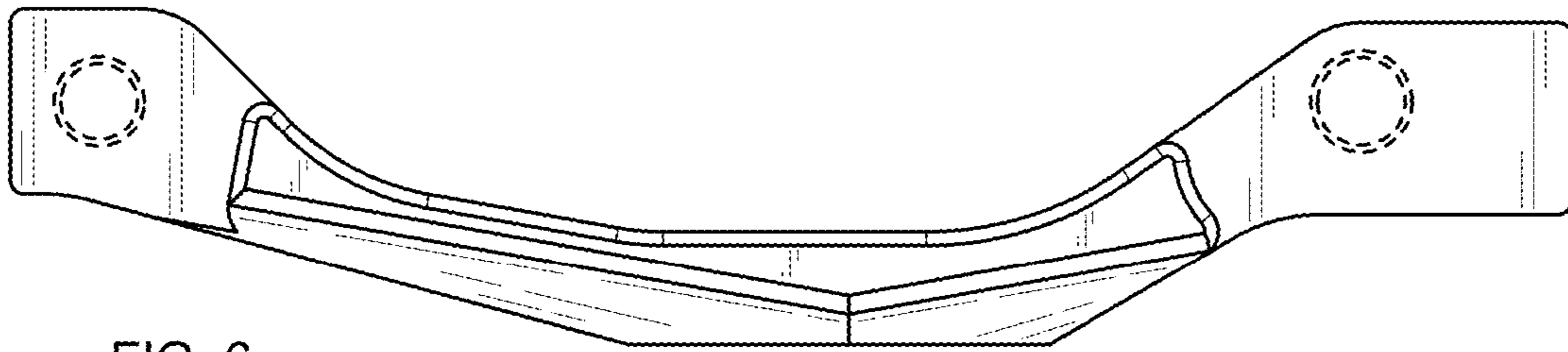


FIG. 6

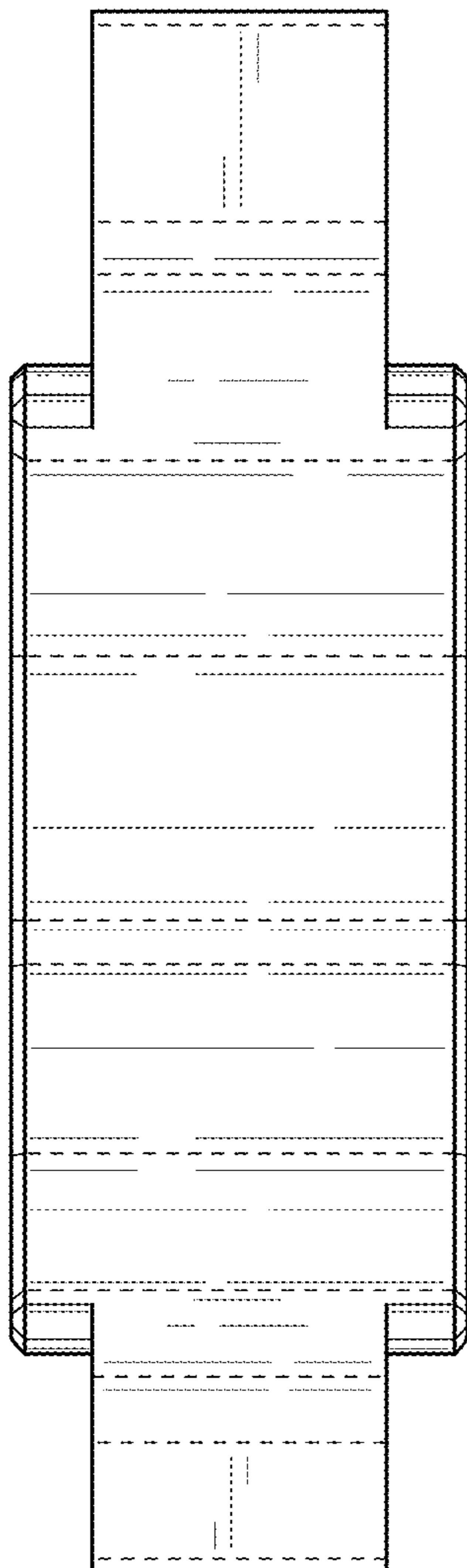


FIG. 7

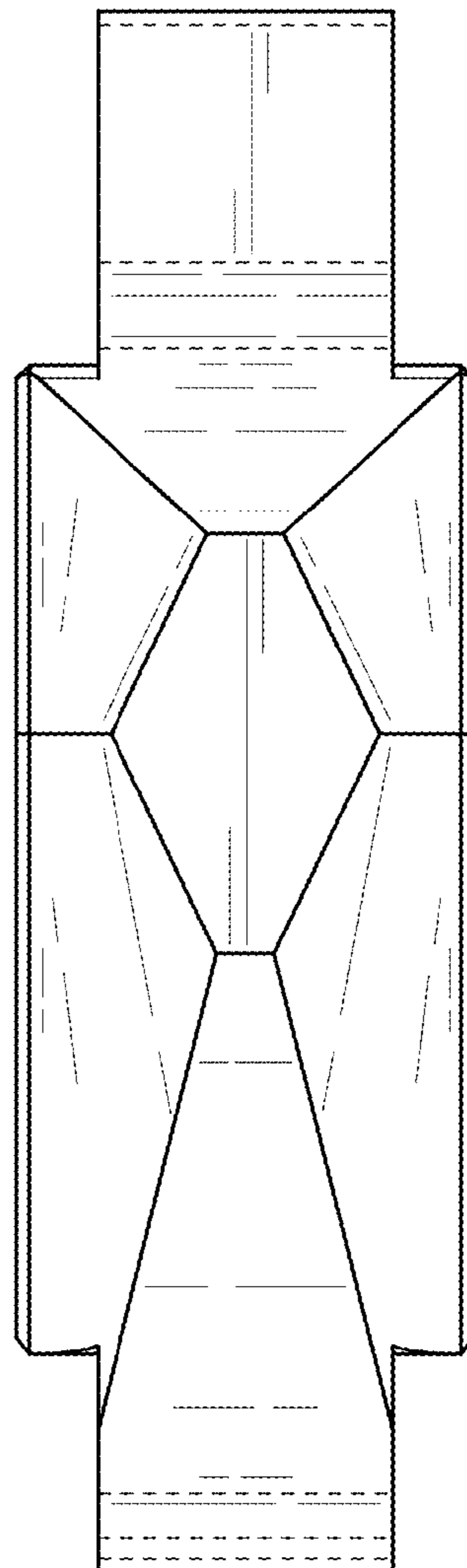


FIG. 8

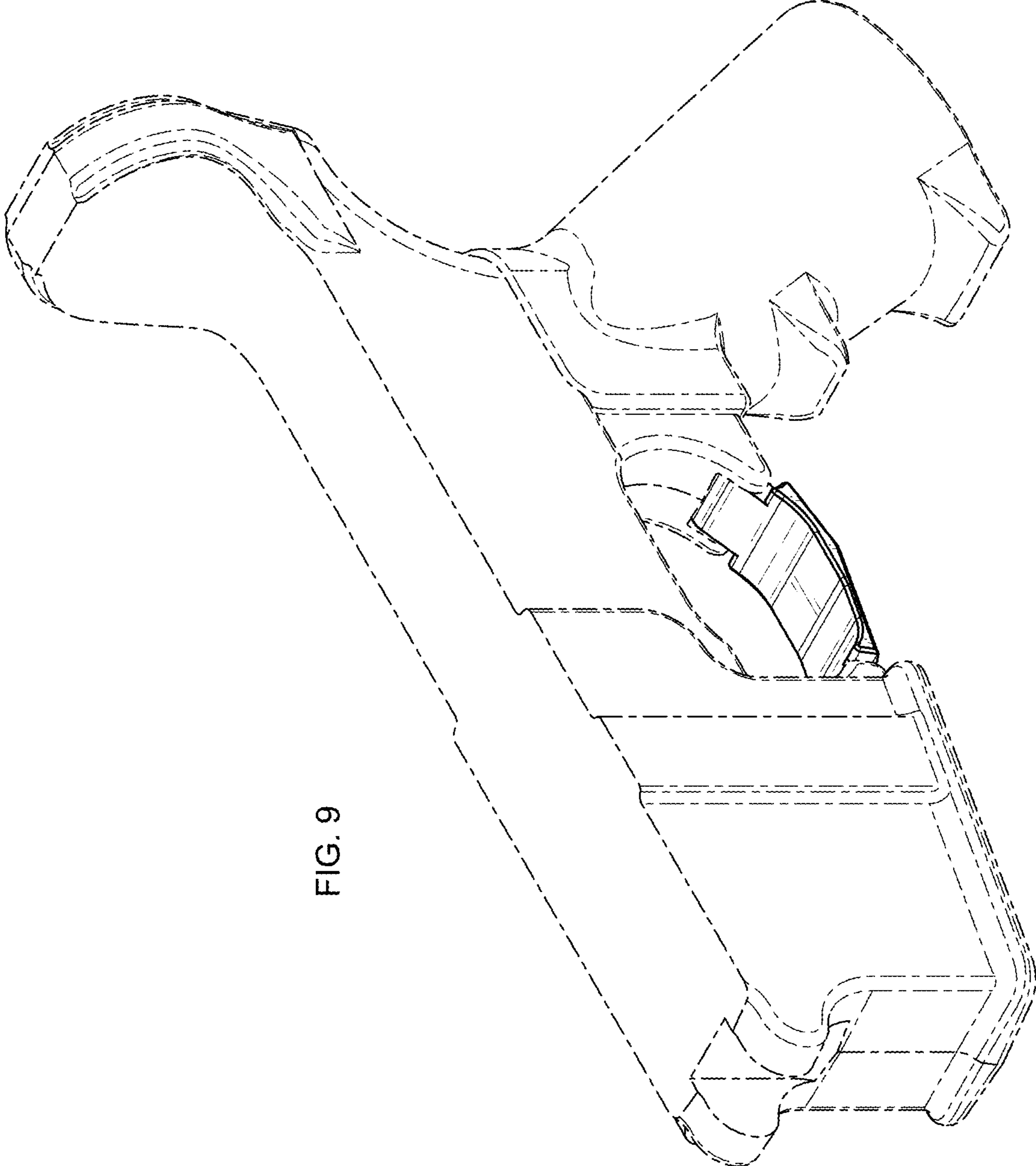


FIG. 9

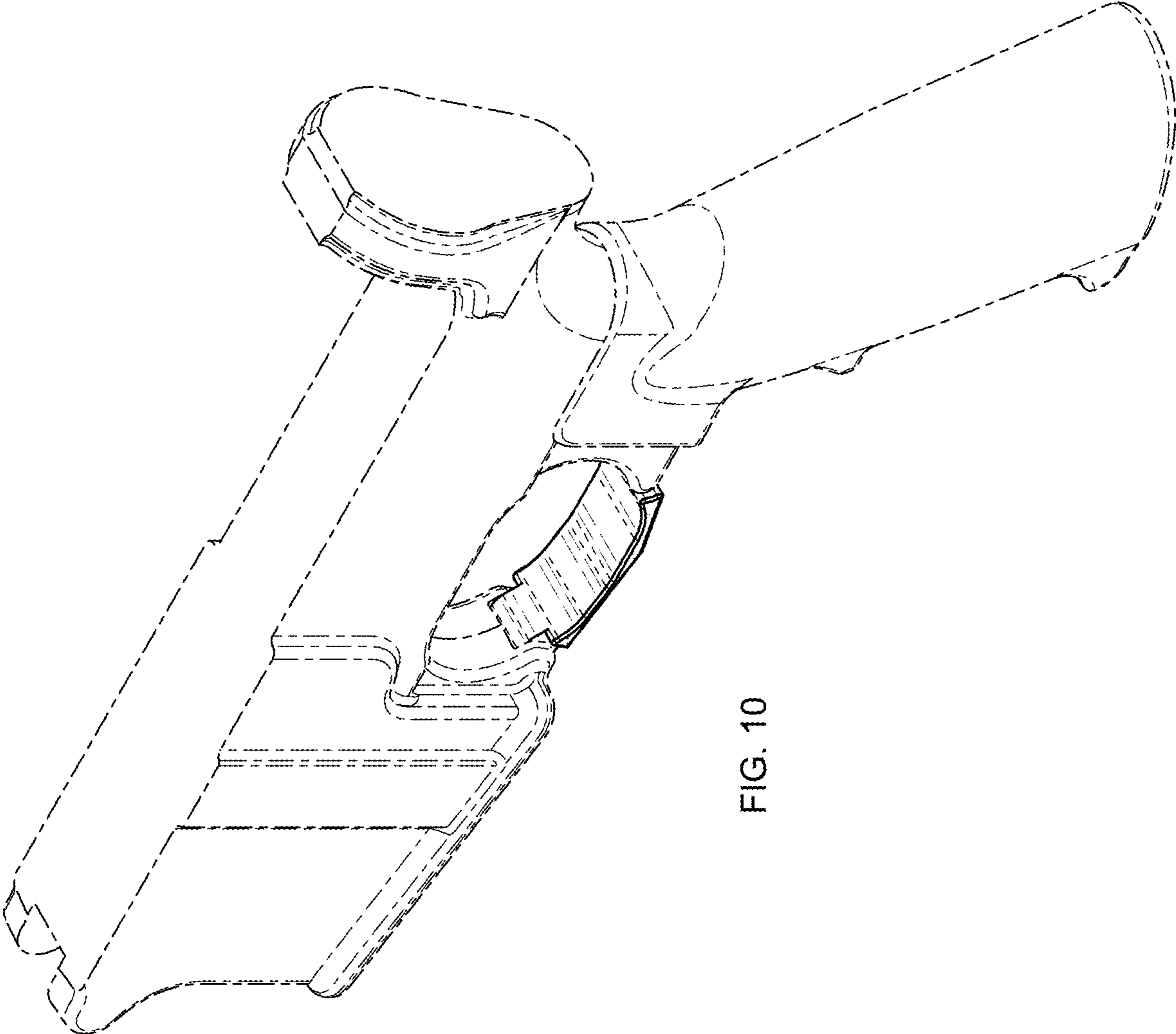


FIG. 10

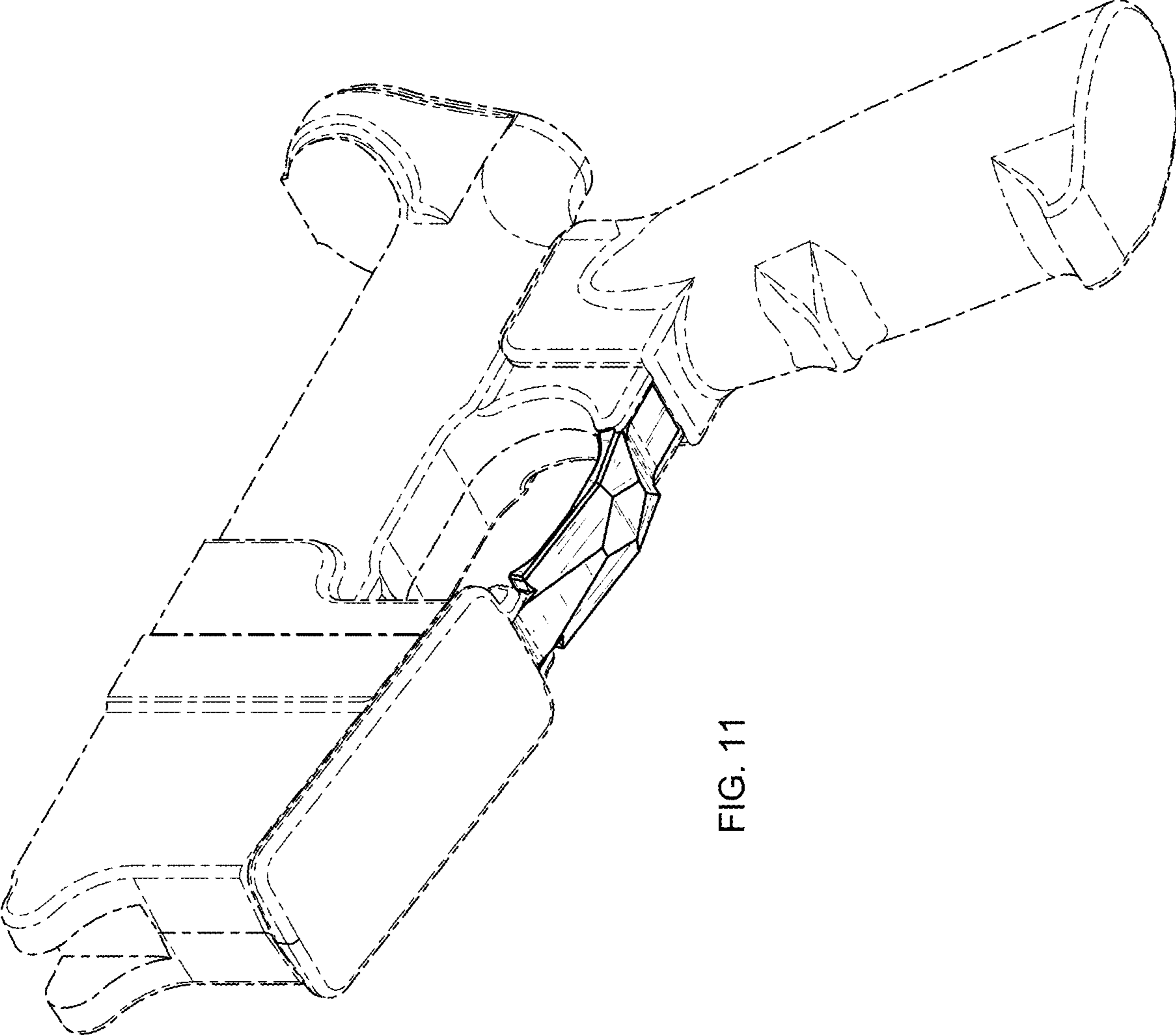


FIG. 11

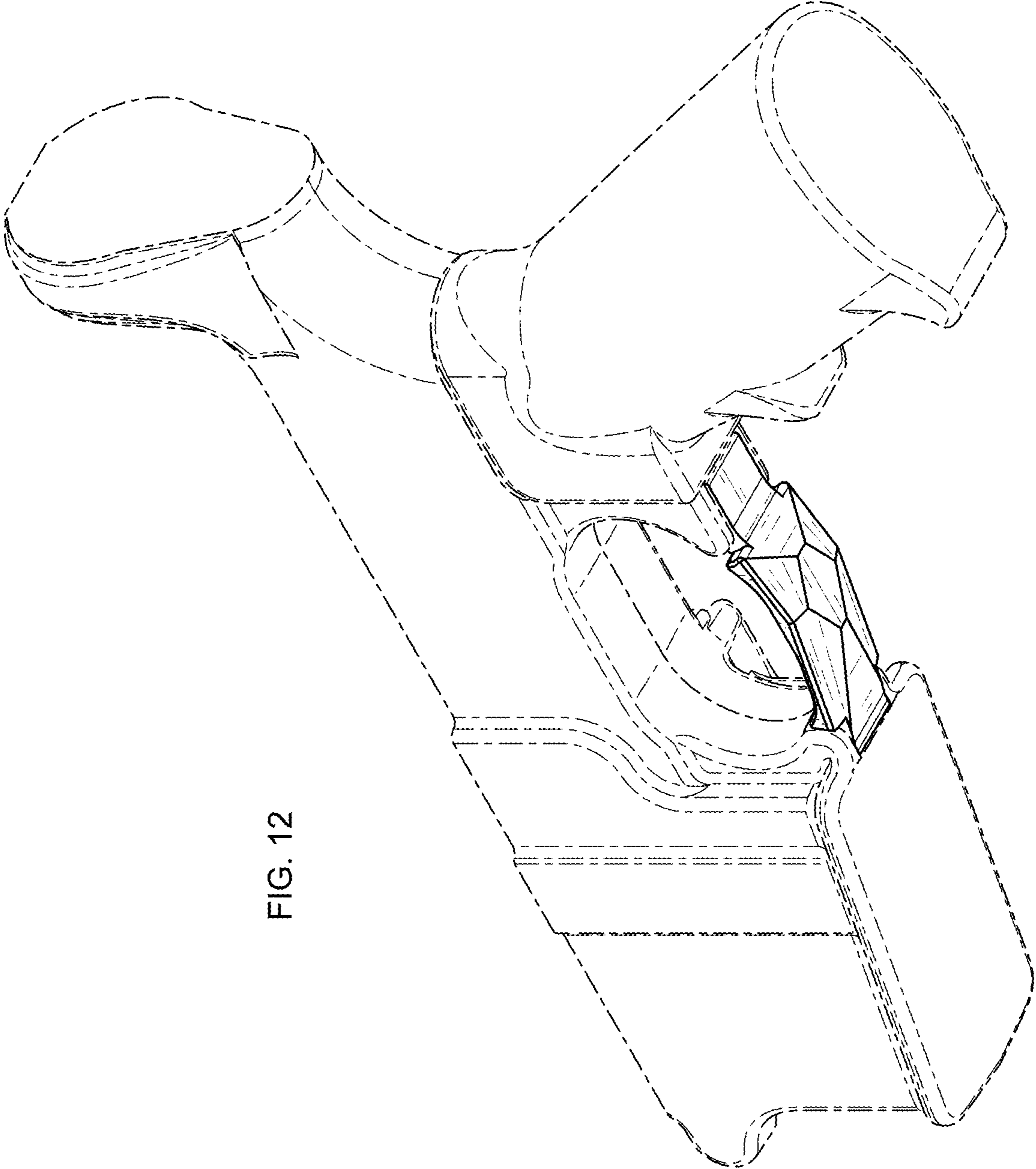


FIG. 12

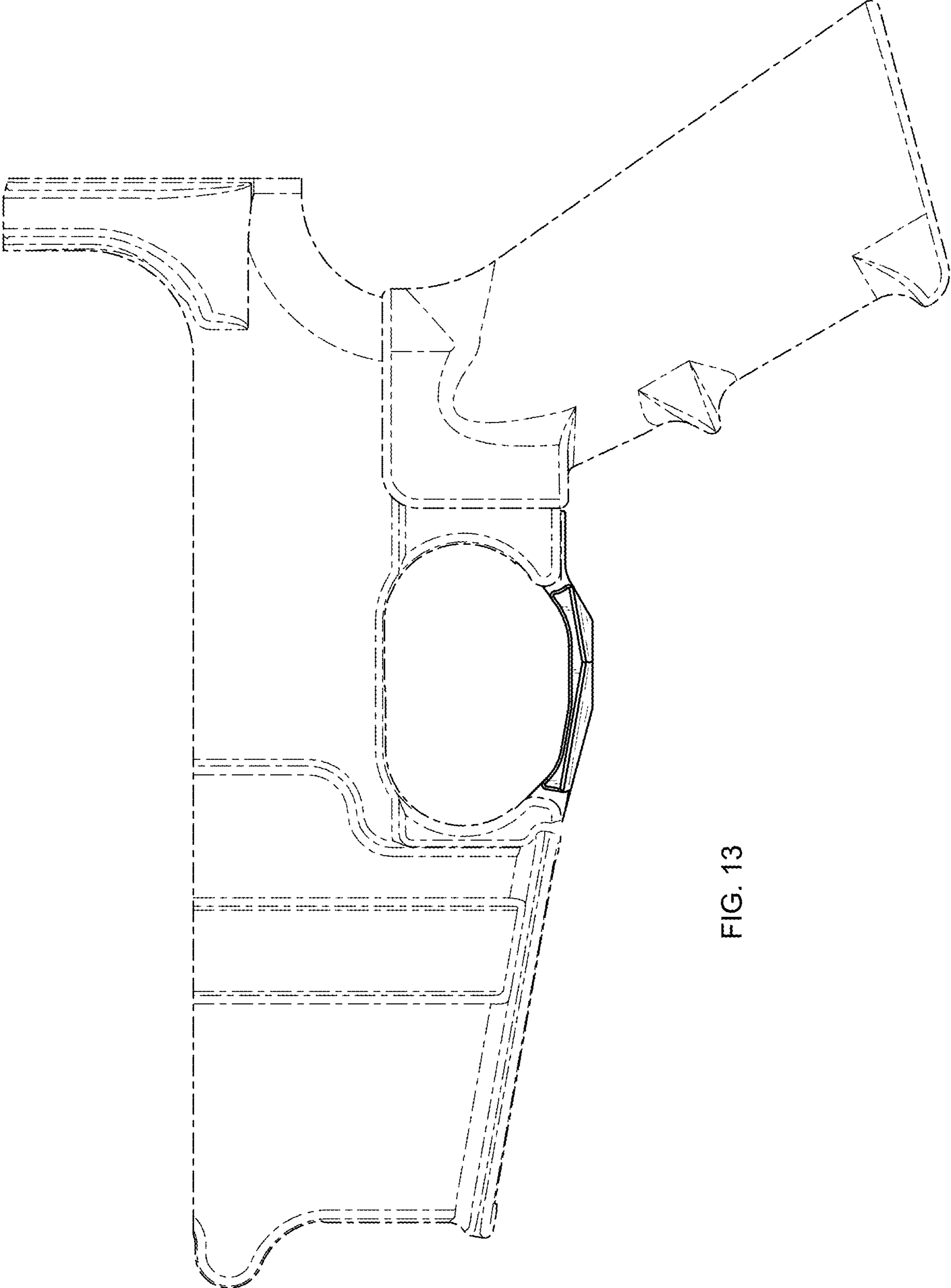


FIG. 13

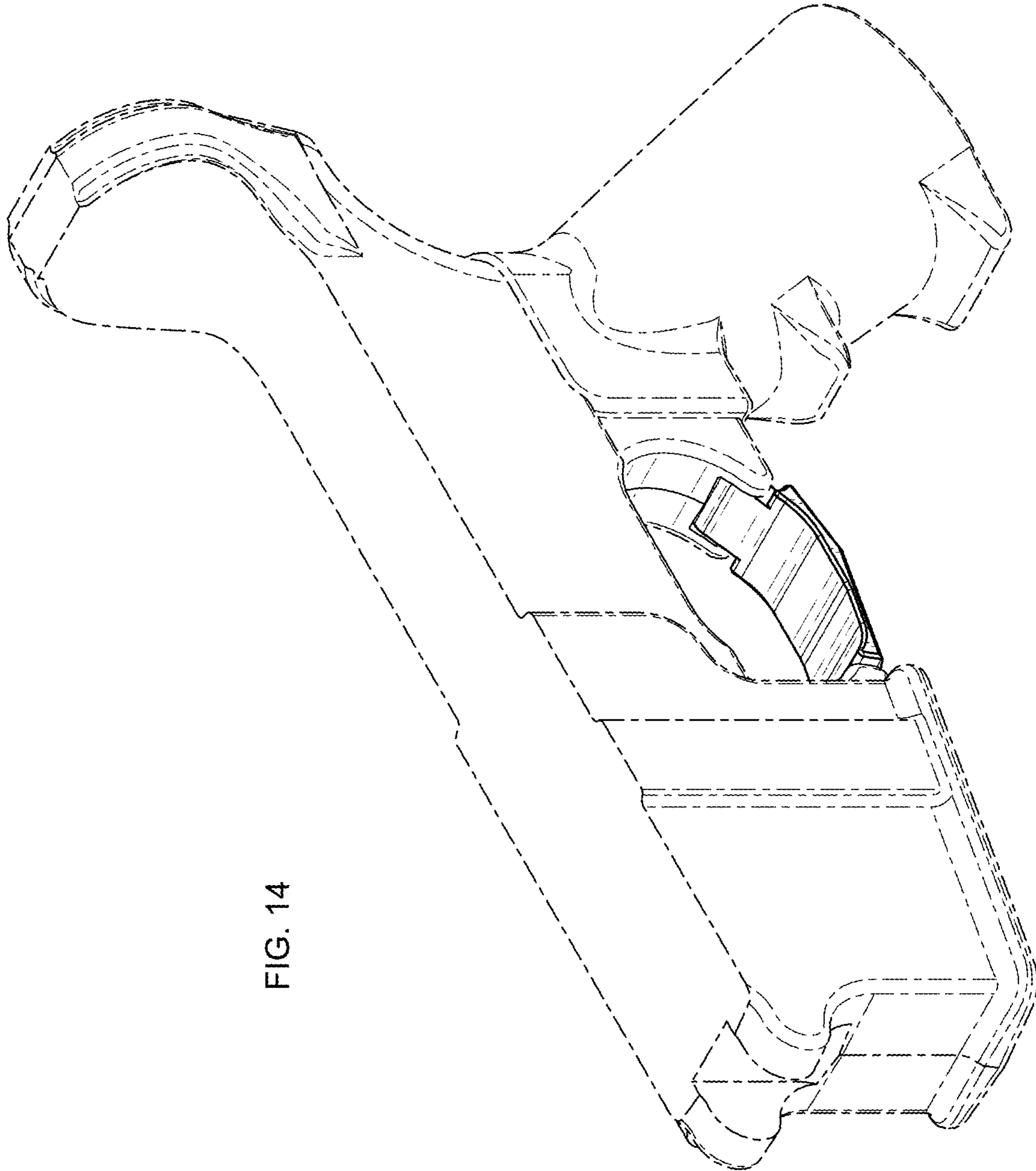


FIG. 14

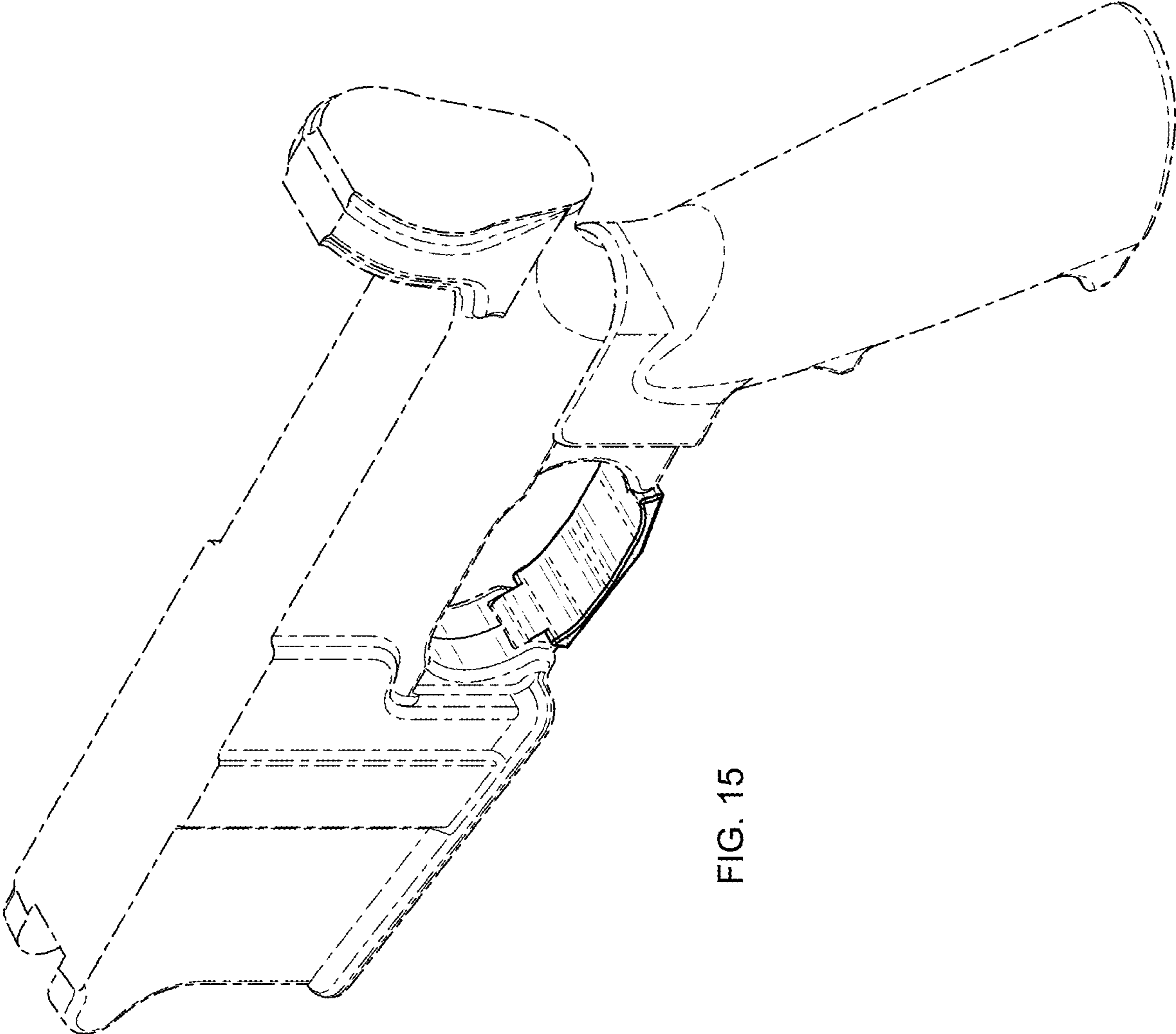


FIG. 15

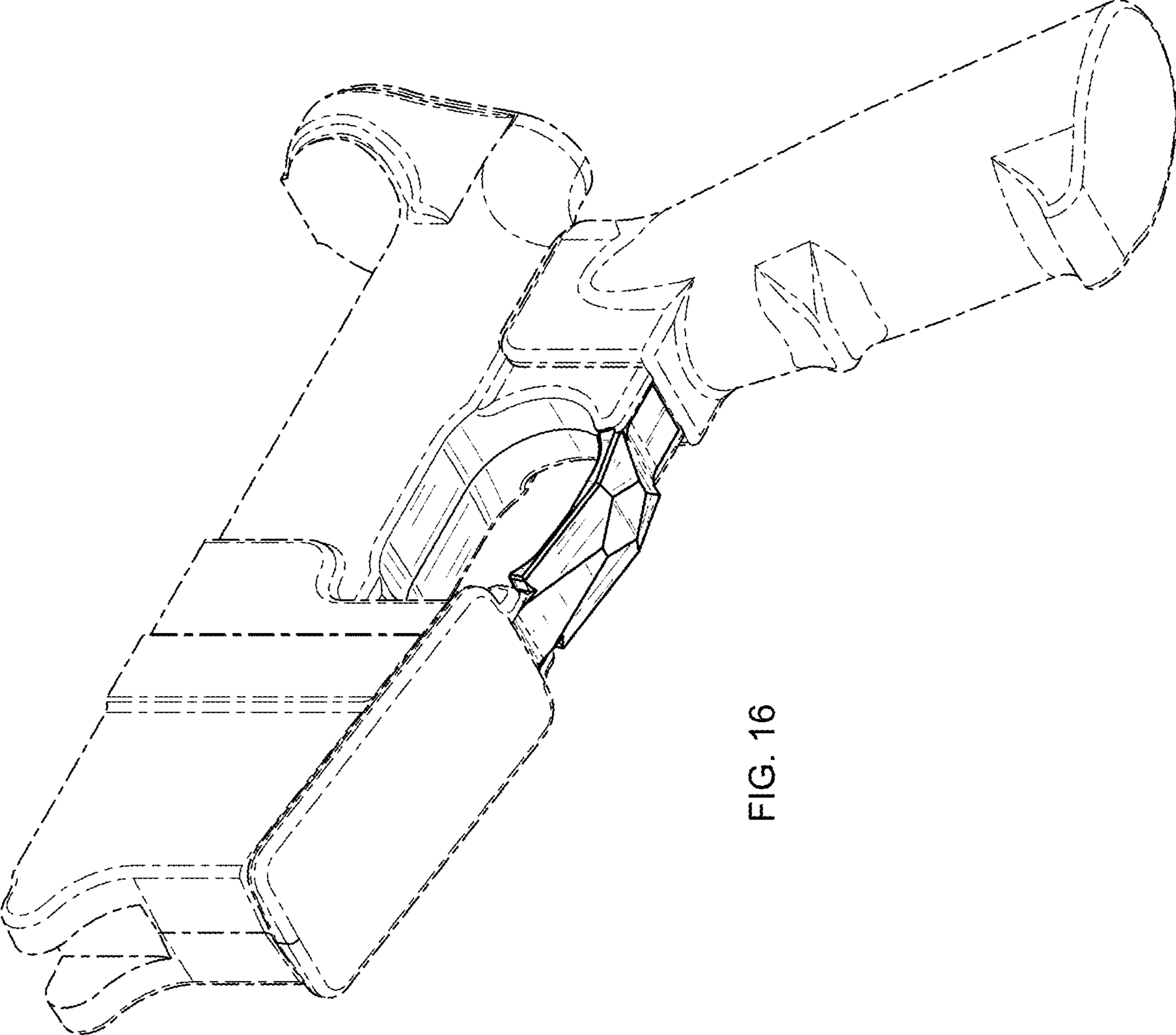


FIG. 16

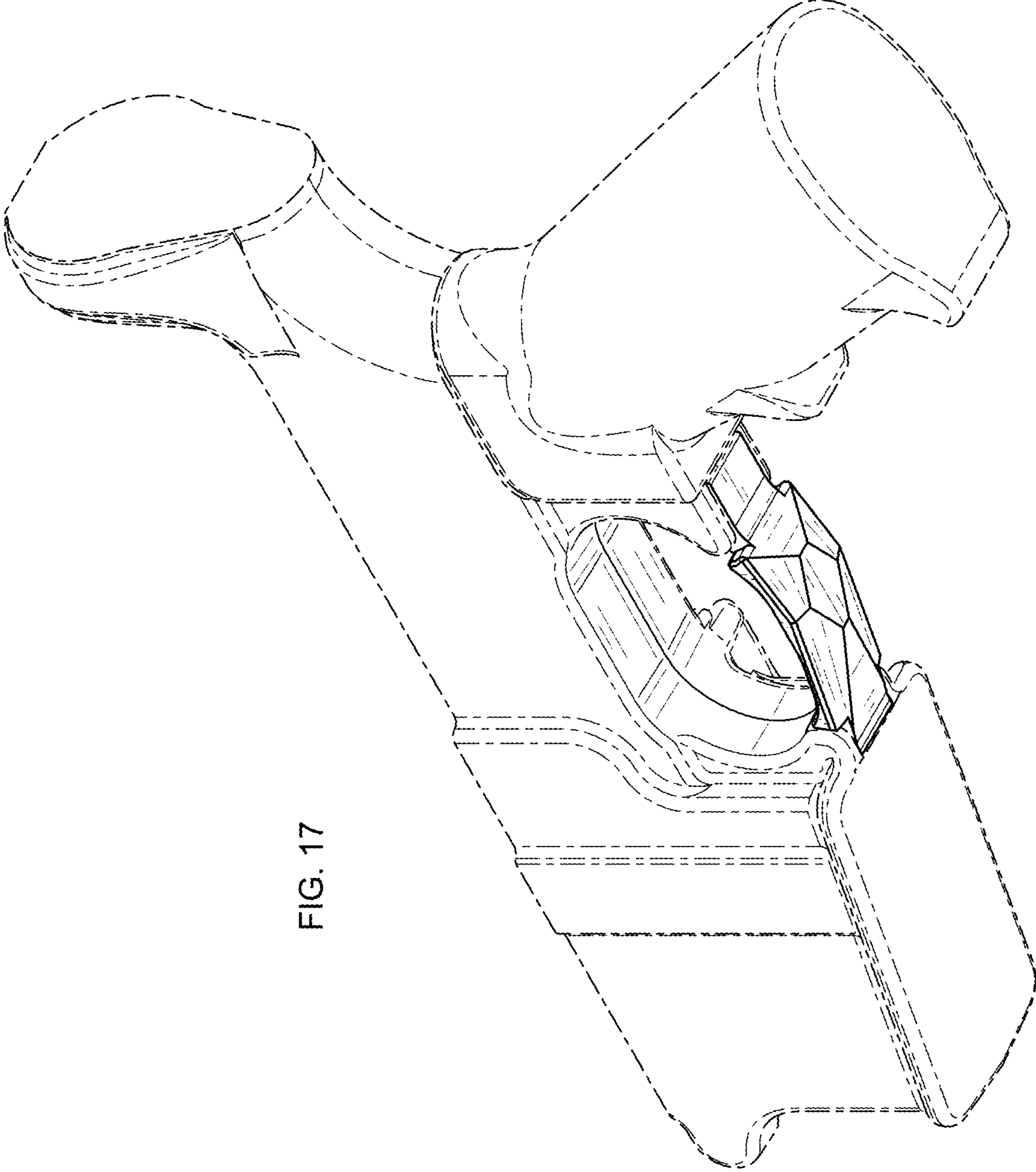


FIG. 17

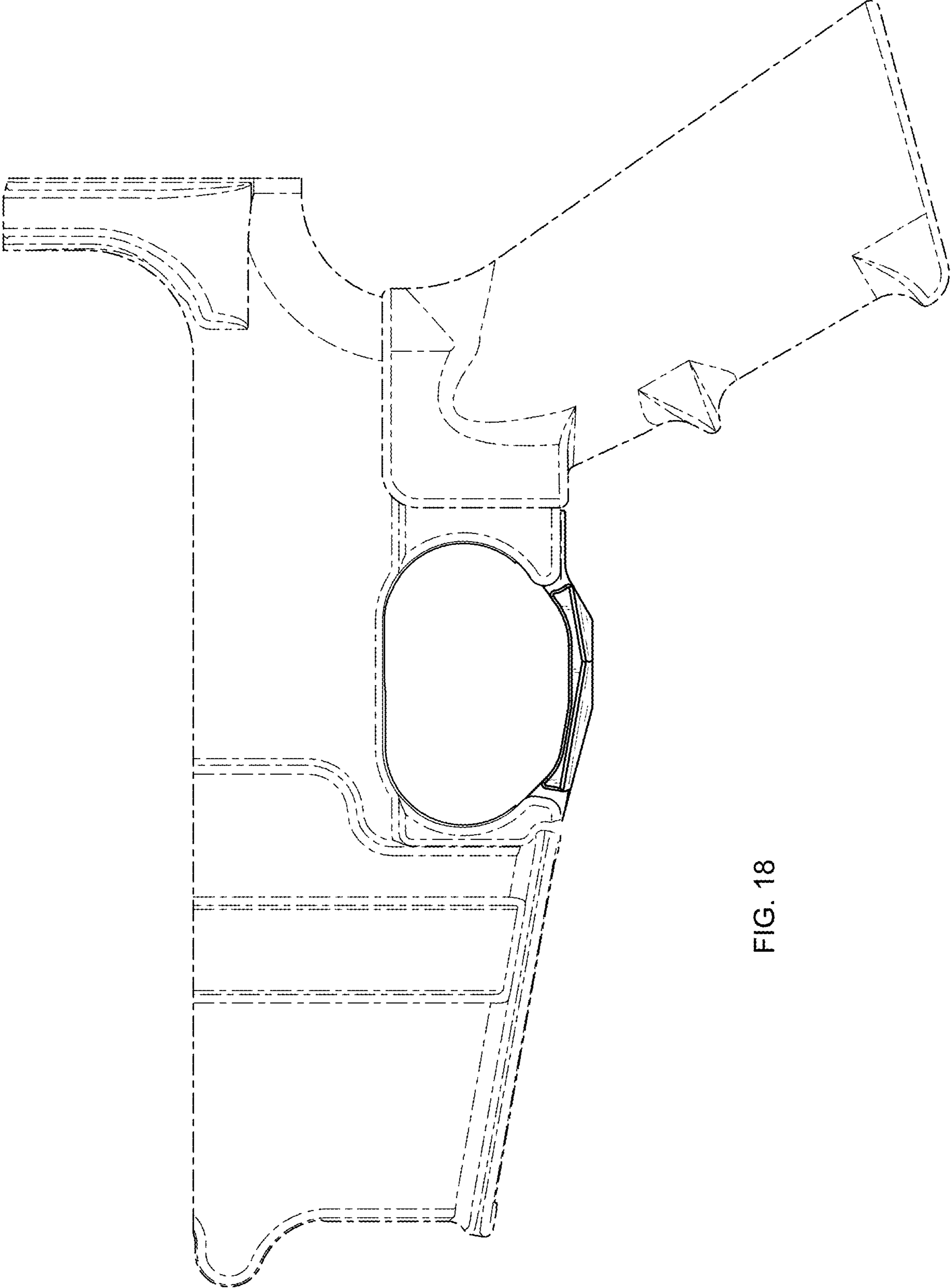


FIG. 18