



US00D875872S

(12) **United States Design Patent** (10) **Patent No.:** **US D875,872 S**
Dew (45) **Date of Patent:** **** Feb. 18, 2020**

(54) **FIREARM SAFETY SWITCH**

(71) Applicant: **Arthur Scott Dew**, Waxahachie, TX (US)

(72) Inventor: **Arthur Scott Dew**, Waxahachie, TX (US)

(**) Term: **15 Years**

(21) Appl. No.: **29/645,704**

(22) Filed: **Apr. 27, 2018**

Related U.S. Application Data

(63) Continuation-in-part of application No. 29/573,322, filed on Aug. 4, 2016, now Pat. No. Des. 819,768.

(51) **LOC (12) Cl.** **22-01**

(52) **U.S. Cl.**
USPC **D22/108**

(58) **Field of Classification Search**
USPC D22/103, 104, 108
CPC F41C 23/00; F41C 27/00; F41C 27/06;
F41C 23/10; F41C 23/14; F41C 23/16;
F41C 23/18; F41A 5/18; F41A 5/24;
F41A 21/28

See application file for complete search history.

(56) **References Cited**

U.S. PATENT DOCUMENTS

D819,768 S *	6/2018	Dew	D22/108
D855,734 S *	8/2019	Geissele	F41A 17/46
				D22/108
D855,735 S *	8/2019	Geissele	D22/108
D856,457 S *	8/2019	Montes	D22/108

* cited by examiner

Primary Examiner — Michael A. Pratt

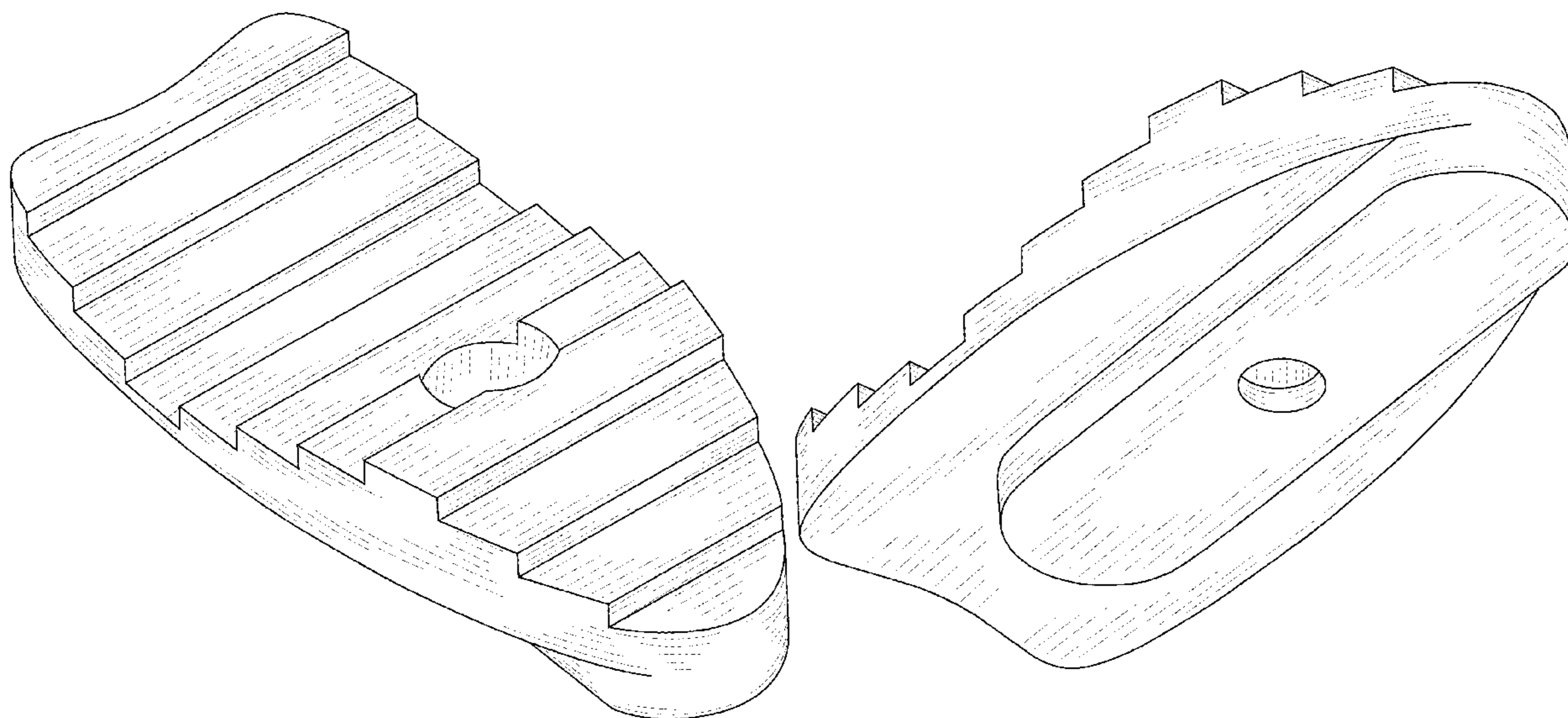
(57) **CLAIM**

The ornamental design for a firearm safety switch, as shown and described.

DESCRIPTION

FIG. 1 is a top perspective view of a firearm safety switch; FIG. 2 is a bottom perspective view thereof; FIG. 3 is a left side elevational view thereof; FIG. 4 is a right side elevational view thereof; FIG. 5 is a top plan view thereof; FIG. 6 is a bottom plan view thereof; FIG. 7 is a front elevational view thereof; and, FIG. 8 is a rear elevational view thereof.

1 Claim, 8 Drawing Sheets



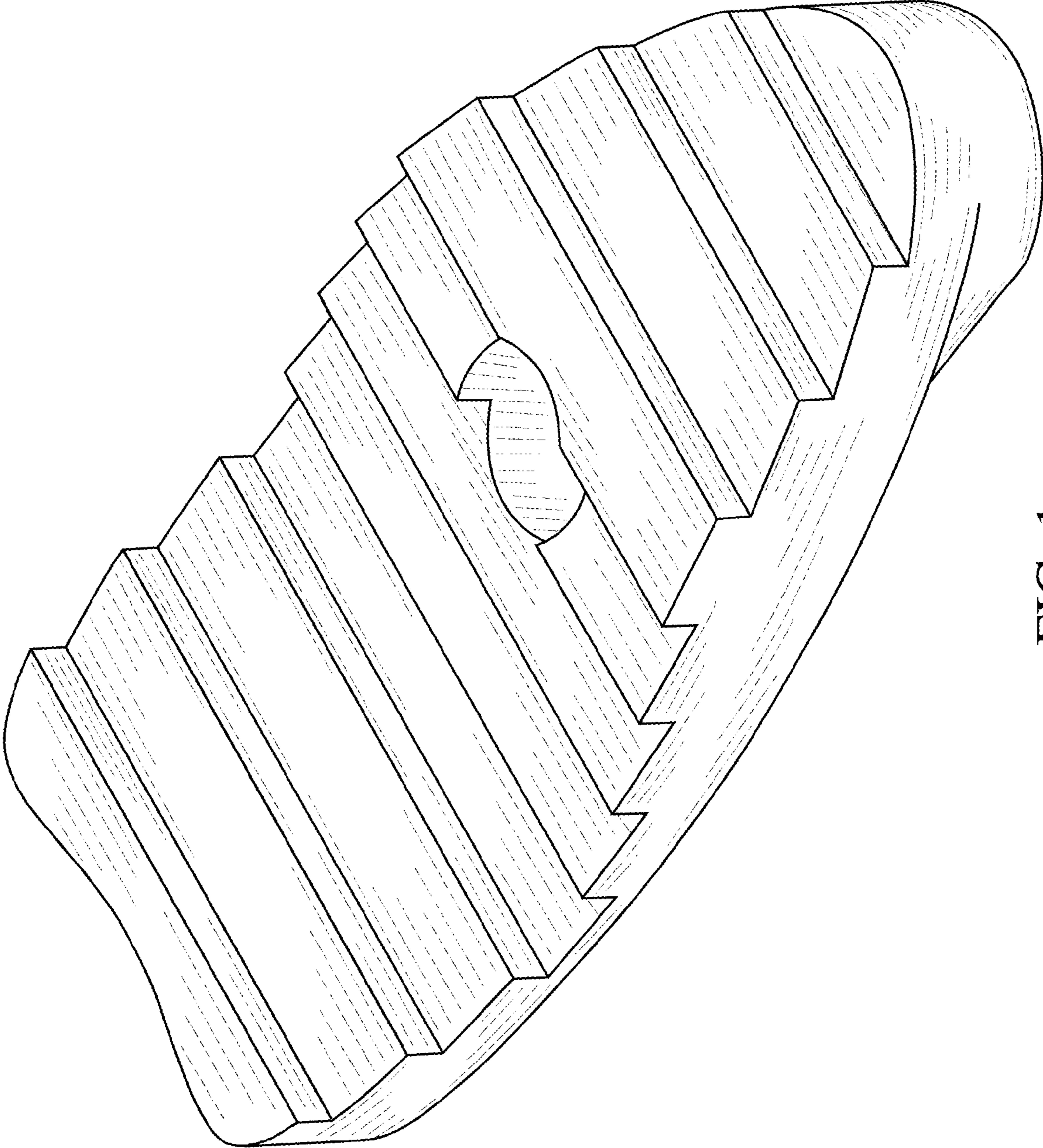


FIG. 1

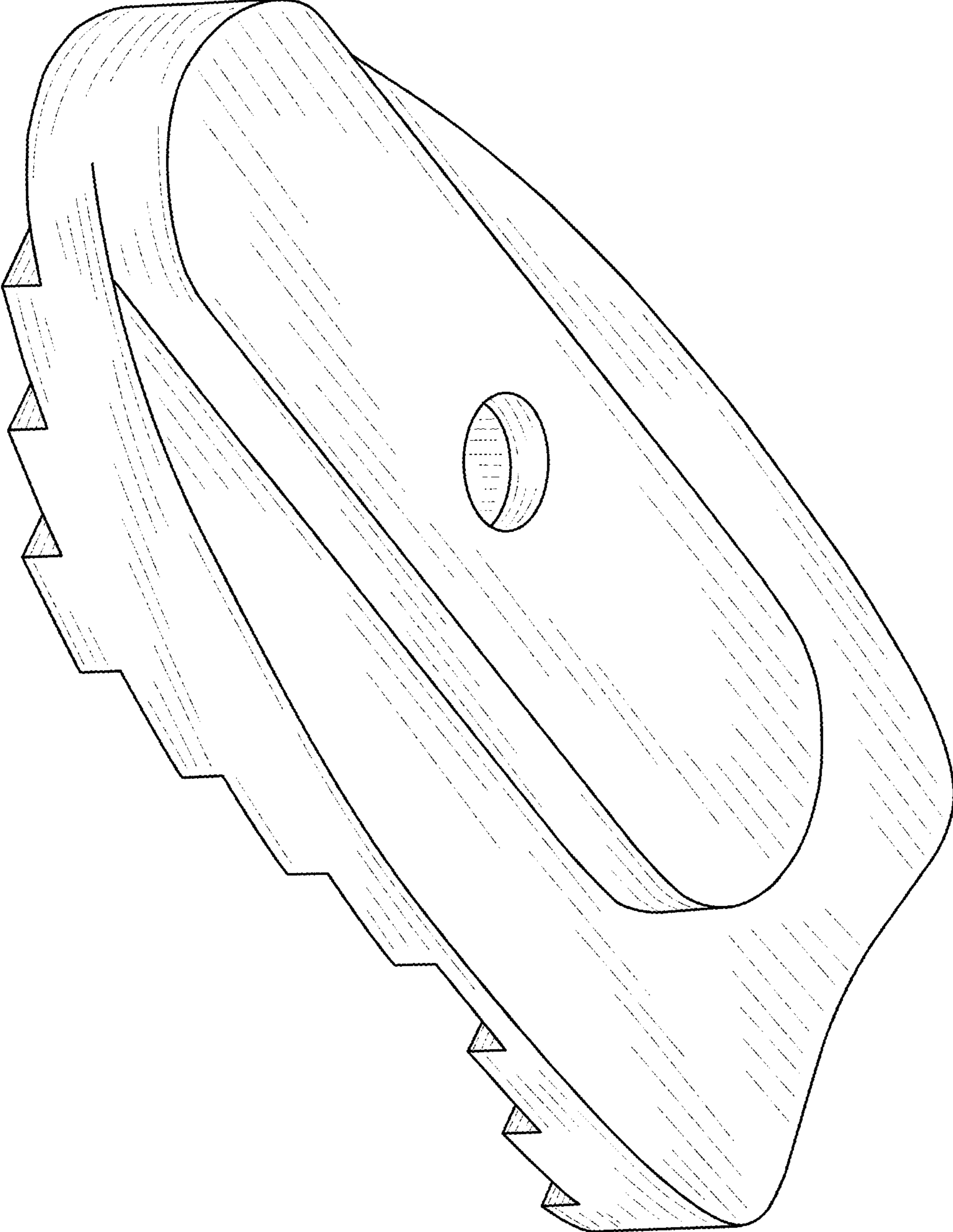


FIG. 2

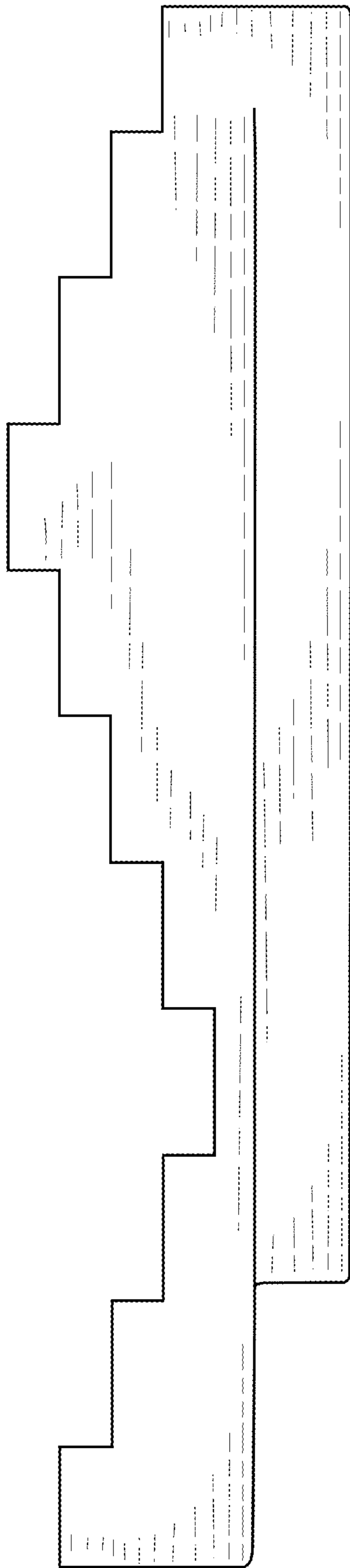


FIG. 3

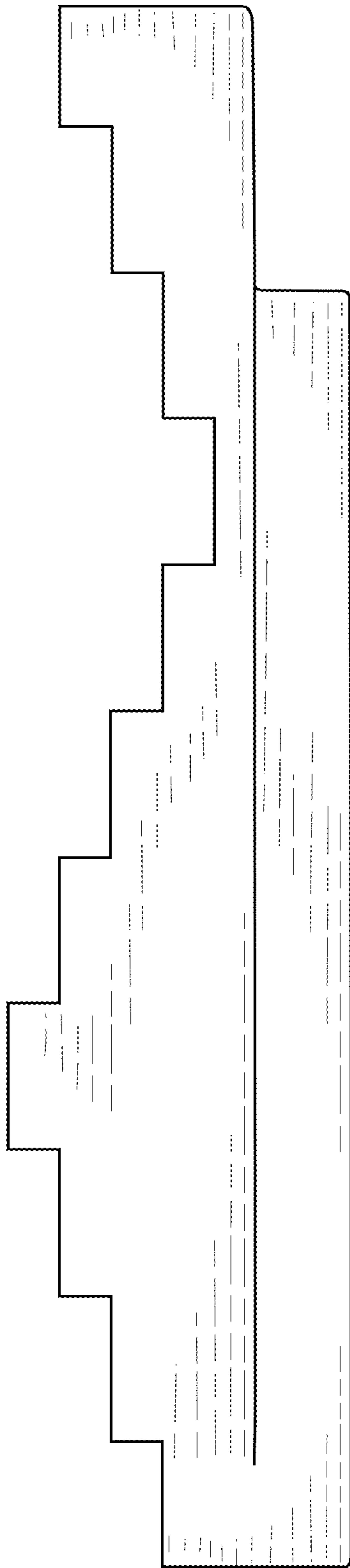


FIG. 4

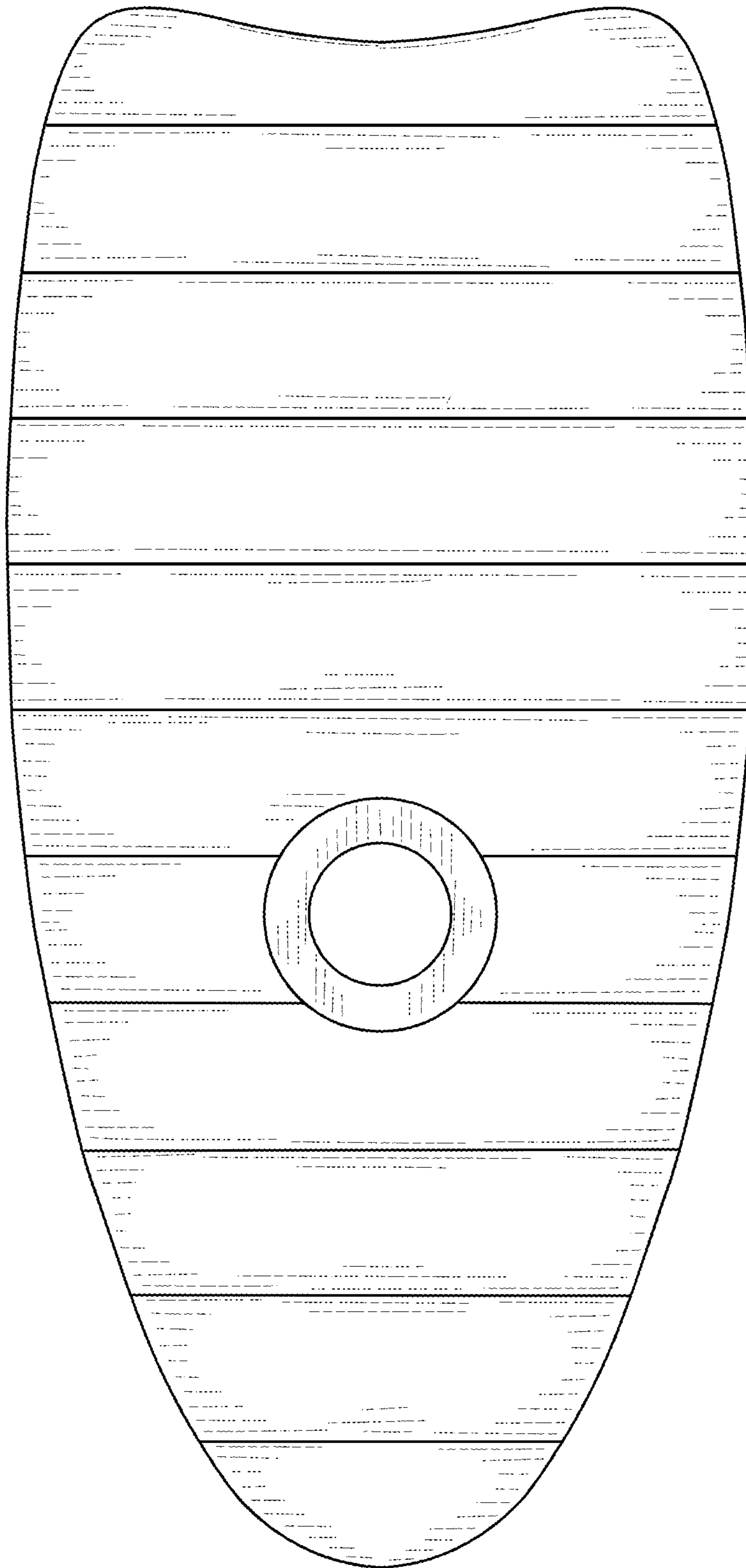


FIG. 5

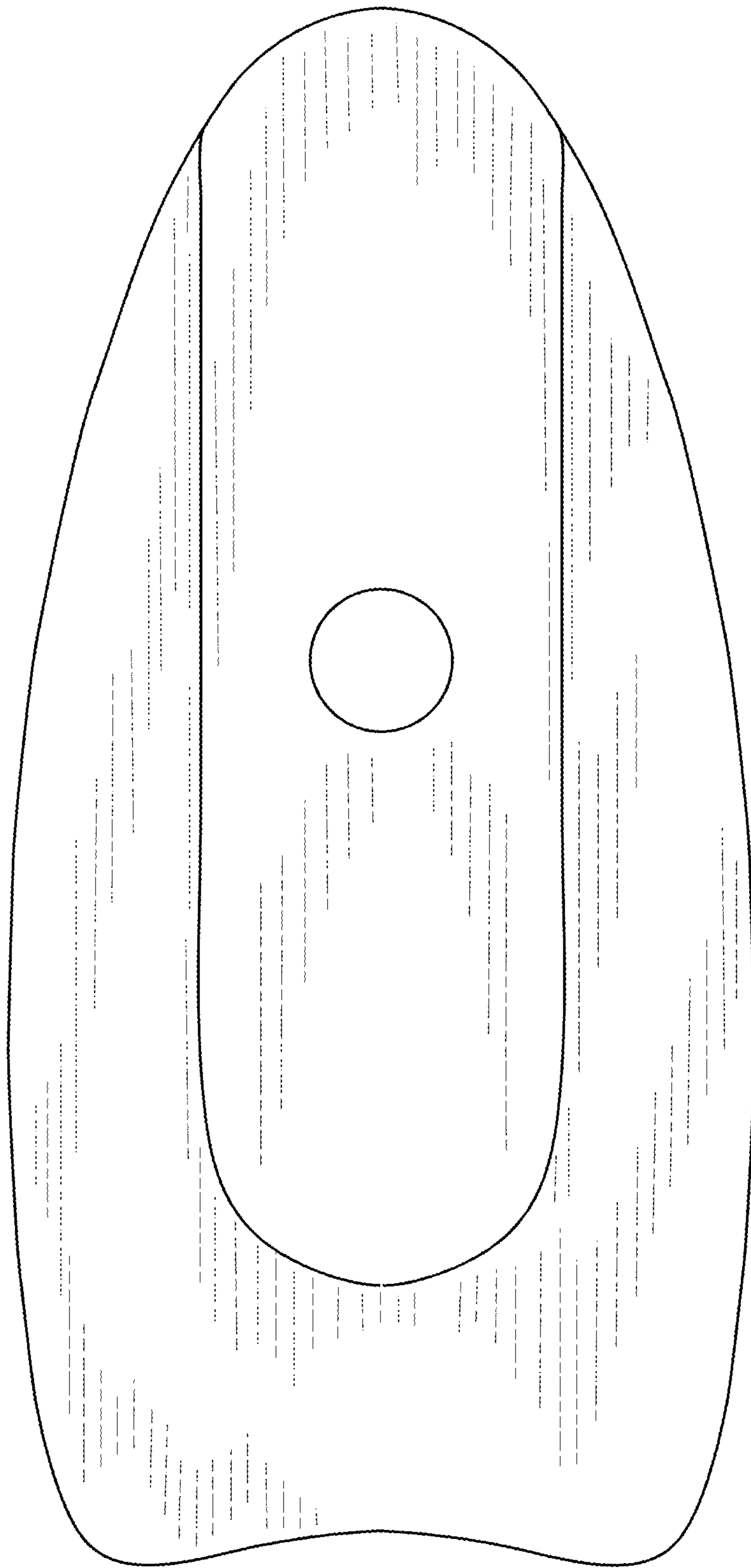


FIG. 6

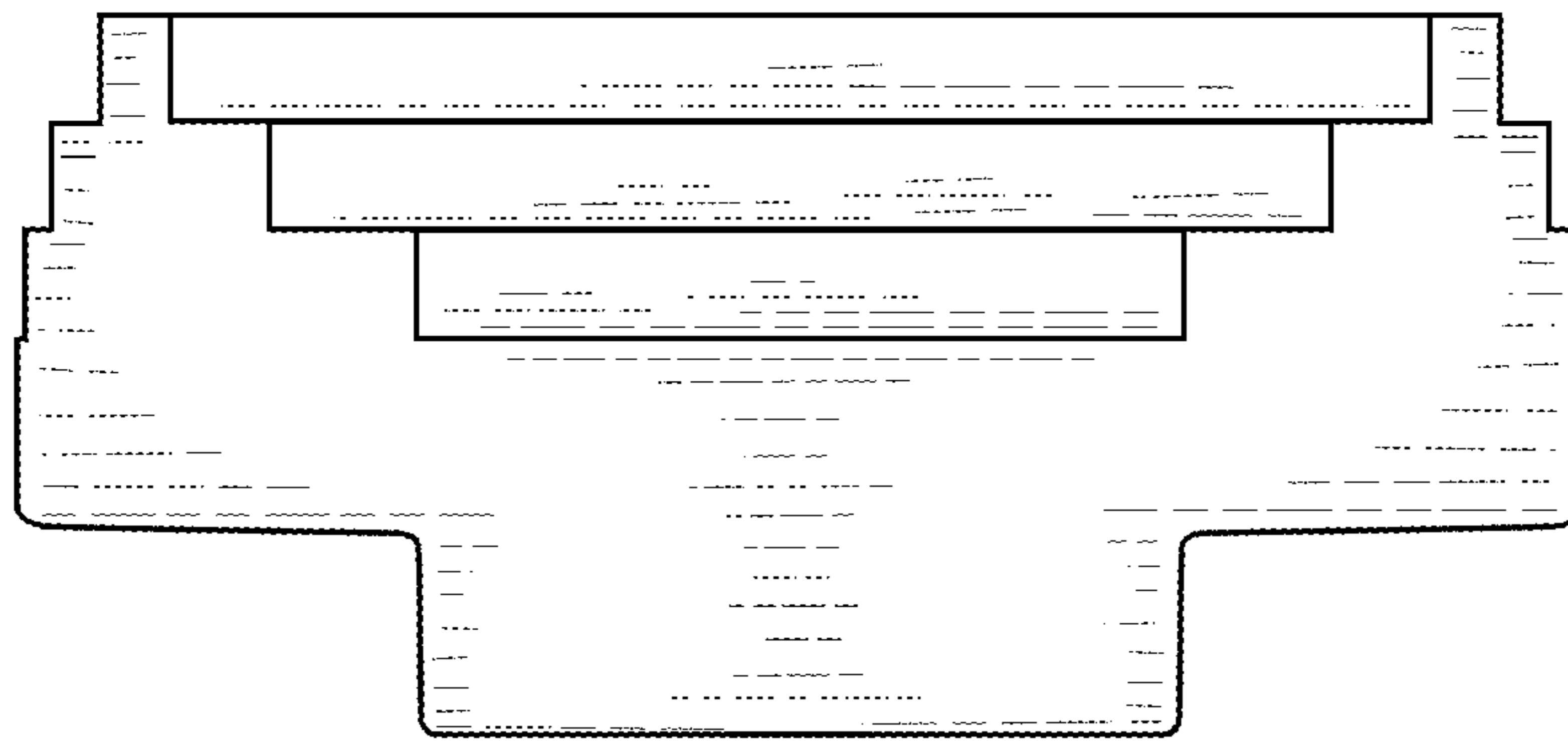


FIG. 7

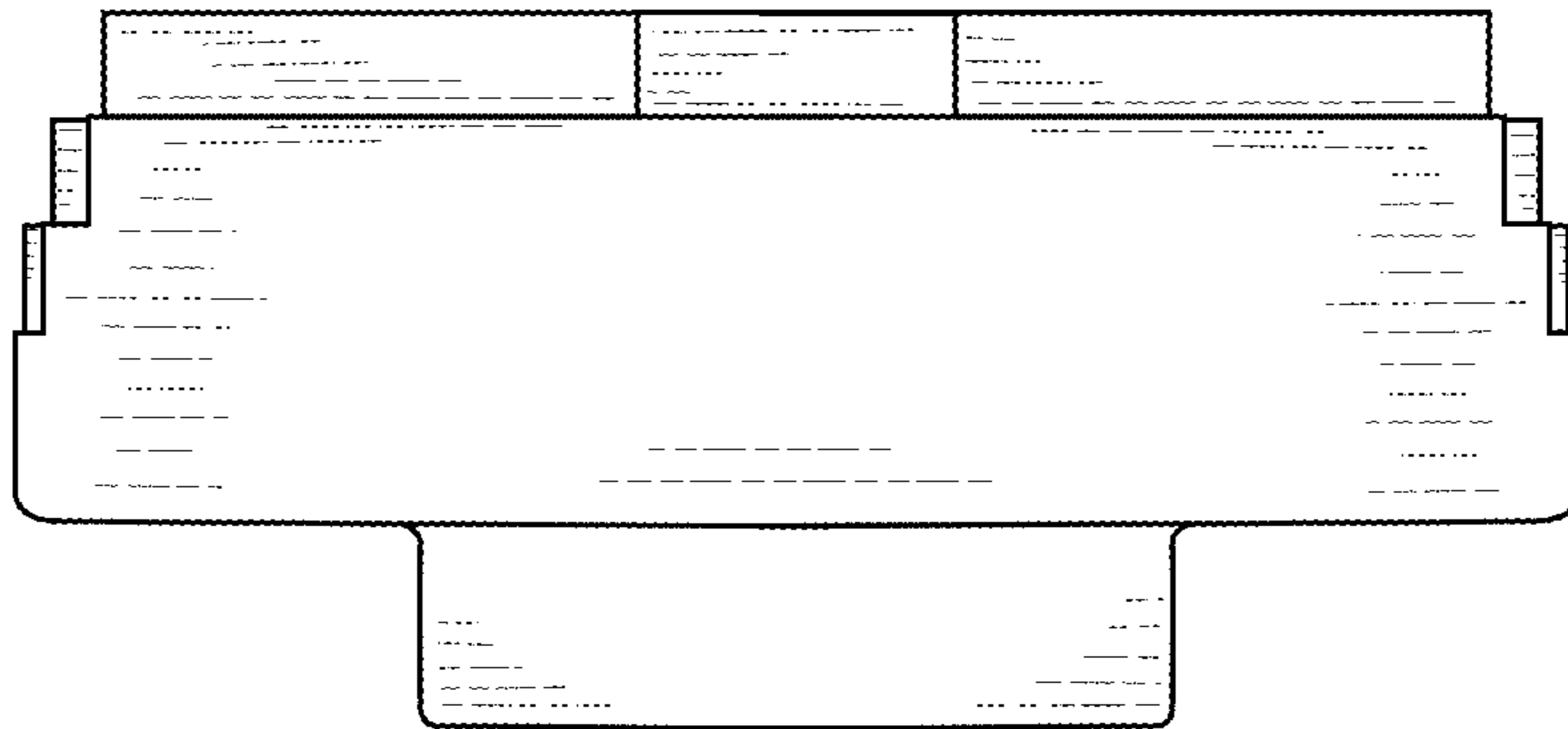


FIG. 8