



US00D875871S

(12) **United States Design Patent**
Roberts et al.

(10) **Patent No.:** **US D875,871 S**
(45) **Date of Patent:** **** Feb. 18, 2020**

(54) **BIPOD**
(71) Applicant: **Magpul Industries Corp.**, Austin, TX
(US)

6,289,622 B1 9/2001 Desch, Jr. et al.
6,539,660 B1 4/2003 Yeargin
6,629,380 B2 10/2003 Yeargin
(Continued)

(72) Inventors: **Timothy Eric Roberts**, Broomfield, CO
(US); **Michael T. Mayberry**, Denver,
CO (US)

FOREIGN PATENT DOCUMENTS

EP 1769214 A1 4/2007
EP 2880352 A1 6/2015
(Continued)

(73) Assignee: **Magpul Industries Corp.**, Austin, TX
(US)

OTHER PUBLICATIONS

(**) Term: **15 Years**

Optics Planet.com, Magpul Bipod, Earliest comment date Sep. 26,
2018, [site visited Jun. 20, 2019], Available on the Internet URL
<https://www.opticsplanet.com/magpul-industries-magpul-bipod.html>
(Year: 2018).*

(21) Appl. No.: **29/630,775**

(22) Filed: **Dec. 22, 2017**

(Continued)

(51) **LOC (12) Cl.** **22-01**

(52) **U.S. Cl.**
USPC **D22/108**

(58) **Field of Classification Search**
USPC D22/108, 109, 110
CPC F41A 23/10
See application file for complete search history.

Primary Examiner — Karen S Acker

Assistant Examiner — Steven B Reinholdt, Jr.

(74) *Attorney, Agent, or Firm* — Neugeboren O'Dowd PC

(57) **CLAIM**

The ornamental design for a bipod, as shown and described.

DESCRIPTION

(56) **References Cited**

U.S. PATENT DOCUMENTS

3,327,422 A	6/1967	Gerald	
4,397,112 A *	8/1983	York F41A 23/08 42/94
4,470,216 A	9/1984	Harris	
4,625,620 A *	12/1986	Harris F41A 23/08 42/94
4,641,451 A	2/1987	Harris	
4,903,425 A	2/1990	Harris	
D346,636 S *	5/1994	Bechtel D22/108
5,692,654 A	12/1997	Bell	
5,711,103 A	1/1998	Keng	
5,852,892 A	12/1998	Bilgeri et al.	

FIG. 1 is a left, top, rear perspective view of a bipod showing our new design;

FIG. 2 is a rear elevation view of the bipod of FIG. 1;

FIG. 3 is a front elevation view of the bipod of FIG. 1;

FIG. 4 is a left side elevation view of the bipod of FIG. 1;

FIG. 5 is a right side elevation view of the bipod of FIG. 1;

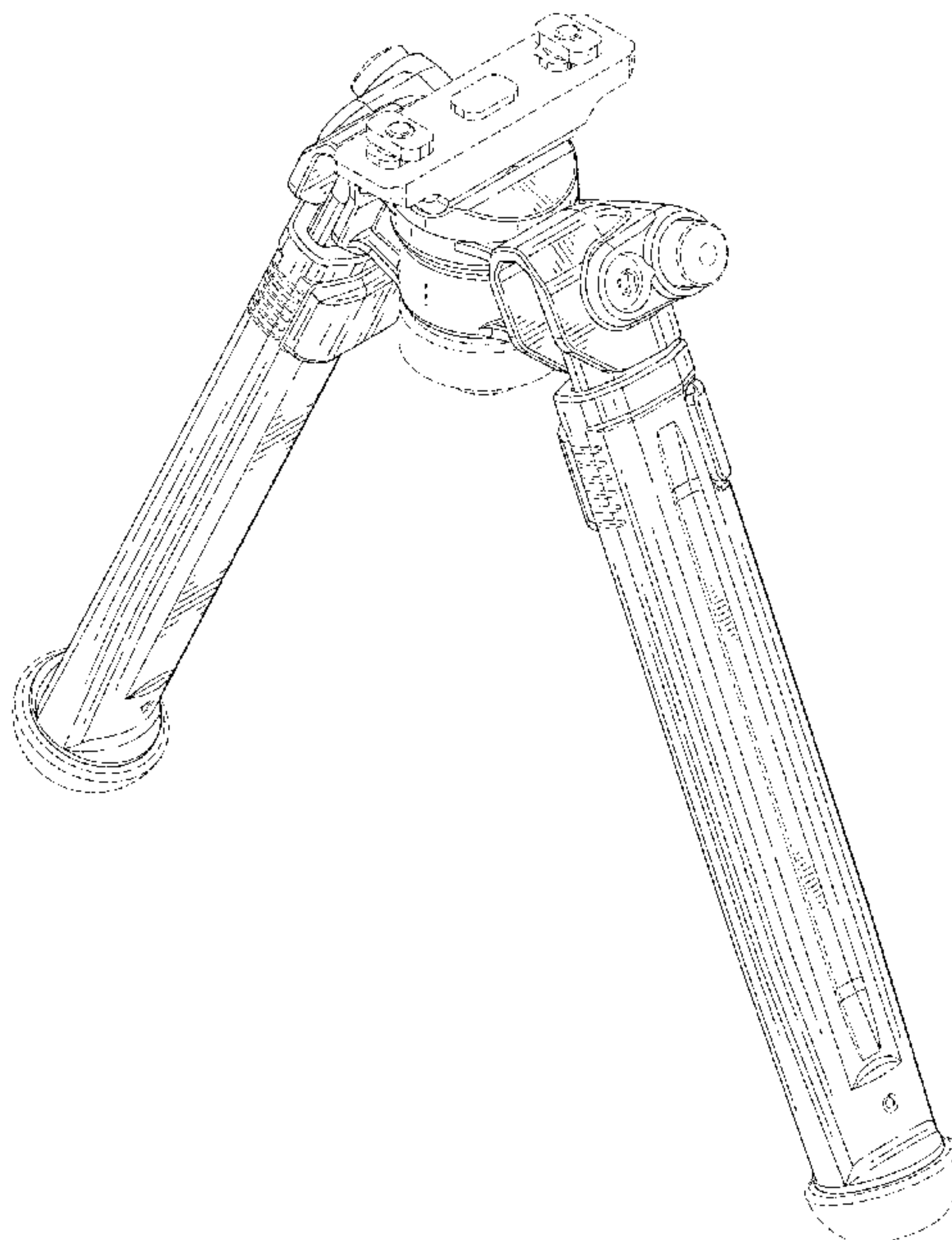
FIG. 6 is a top view of the bipod of FIG. 1; and,

FIG. 7 is a bottom view of the bipod of FIG. 1.

The intermittent lines depict shading and contour.

The features drawn in broken line in all figures are portions of the bipod that form no part of the claimed design.

1 Claim, 5 Drawing Sheets



(56)

References Cited

U.S. PATENT DOCUMENTS

6,763,627 B1 7/2004 Kaempe
 7,032,494 B2 4/2006 Wygant
 7,121,034 B2 10/2006 Keng
 7,143,986 B1 12/2006 Austin et al.
 7,197,844 B2 4/2007 Benson
 7,222,451 B2 5/2007 Keng et al.
 7,243,455 B2 7/2007 Jurk
 7,421,815 B1 9/2008 Moody et al.
 7,430,828 B2 10/2008 Munst
 7,431,247 B2 10/2008 Bobro
 7,478,496 B2 1/2009 Bender
 7,571,563 B2 8/2009 Peterson
 7,614,174 B1 11/2009 Beltz
 7,631,455 B2 12/2009 Keng et al.
 7,676,977 B1 3/2010 Cahill et al.
 7,770,320 B1 8/2010 Bartak
 7,779,572 B2 8/2010 Potterfield et al.
 7,793,454 B1 9/2010 Beltz
 7,823,316 B2 11/2010 Storch et al.
 7,845,267 B2 12/2010 Potterfield et al.
 7,856,748 B1 12/2010 Mertz
 7,954,272 B2 6/2011 Potterfield et al.
 8,104,213 B2 1/2012 Keng et al.
 8,104,214 B2 1/2012 Boord
 8,327,570 B2 4/2012 Potterfield et al.
 8,291,633 B1 10/2012 Hass et al.
 8,316,570 B2 11/2012 Potterfield et al.
 8,341,864 B2 1/2013 Moody et al.
 8,341,865 B2 1/2013 Moody et al.
 8,341,866 B1 1/2013 Gaddini et al.
 8,359,780 B2 1/2013 Peterson et al.
 8,402,684 B1 * 3/2013 Beltz F41A 23/10
 42/72
 8,418,394 B2 4/2013 Keng
 8,443,540 B2 5/2013 Poling
 8,448,369 B2 5/2013 Hinds, Jr.
 8,458,946 B1 6/2013 Pintsch
 8,464,628 B2 6/2013 Potterfield et al.
 8,496,212 B2 7/2013 Keng et al.
 8,567,106 B2 10/2013 Chvala
 8,578,647 B2 11/2013 Storch et al.
 8,607,491 B2 12/2013 Moody et al.
 8,863,430 B2 10/2014 Poling
 8,869,442 B2 10/2014 Moody et al.
 8,894,024 B2 11/2014 Deros
 8,904,693 B1 12/2014 Beltz
 9,121,665 B2 9/2015 Hinds
 9,255,751 B1 * 2/2016 Beltz F41A 23/10
 9,303,940 B2 4/2016 Bonelli et al.
 9,354,012 B2 5/2016 Faifer et al.
 D758,521 S * 6/2016 Ding D22/108
 D758,522 S * 6/2016 Ding D22/108
 9,377,274 B2 6/2016 Kincel
 9,410,762 B2 8/2016 Ballard
 9,435,601 B2 9/2016 Poling
 9,470,468 B2 10/2016 McGinty
 D790,652 S 6/2017 Gaddini
 2003/0042388 A1 * 3/2003 Peterson F16M 11/26
 248/440.1
 2008/0295379 A1 12/2008 Potterfield et al.
 2009/0000175 A1 1/2009 Potterfield et al.
 2011/0036236 A1 2/2011 Potterfield et al.
 2013/0036647 A1 * 2/2013 Chvala F41A 23/10
 42/94
 2014/0130393 A1 5/2014 Antell
 2014/0190059 A1 7/2014 Ballard
 2015/0135577 A1 5/2015 Poling
 2015/0362278 A1 * 12/2015 Genchel F41A 23/10
 42/94
 2016/0116245 A1 4/2016 Ravnaas
 2016/0209172 A1 7/2016 Trotabas
 2016/0238336 A1 * 8/2016 Bartak F41A 23/10
 2016/0273863 A1 9/2016 Hayes
 2018/0058794 A1 * 3/2018 Scalf F41A 23/10

2018/0180374 A1 * 6/2018 Roberts F41A 23/10
 2018/0216907 A1 * 8/2018 Roberts F41A 23/10
 2018/0259287 A1 * 9/2018 Palu F41A 23/10

FOREIGN PATENT DOCUMENTS

EP 2956705 A1 12/2015
 WO 2013132291 A1 9/2013
 WO 2016161059 A1 10/2016

OTHER PUBLICATIONS

Copenheaver, Blaine R., “International Search Report and Written Opinion Re International Appl. PCT/US2017/068136”, dated Apr. 25, 2018, p. 13 Published in: PCT.
 Kato, Shinju, “Office Action Regarding Japanese Patent Application No. 2018-013701”, dated Dec. 12, 2018, p. 2 Published in: JP.
 Seiwa Patent & Law, “Response to Office Action Regarding Japanese Patent Application No. 2018-013701”, dated Jan. 31, 2019, p. 3 Published in: JP.
 Tipo, “Notice of Allowance Regarding Taiwanese Design Patent Application No. 107303505”, dated Jan. 7, 2019, p. 5 Published in: TW.
 Versa Pod, “150-051 Versa-Pod Model 51 Bipod 50 Series Gun Rest With Pan Tilt & Lock Controls 7 to 9 and Rubber Feet.”, Retrieved from <https://www.amazon.com/150-051-Versa-Pod-Model-Controls-Rubber/dp/B000FAB33I>, Known to exist as early as Sep. 26, 2016, p. 6.
 ACCU-TAC, “SR-5”, Retrieved from <http://www.accu-tac.com/product/sr-5-bipod/>, Known to exist as early as Sep. 26, 2016, p. 3.
 B&T Industries, LLC, “Atlas Bipods”, Retrieved from http://www.accu-shot.com/Atlas_Bipods.php, Known to exist as early as Sep. 26, 2016, p. 1.
 Bobro Engineering, “Bi-Pod Type 3- Blac”, Retrieved from <http://www.bobroengineering.com/view/product/1/>, Known to exist as early as Sep. 26, 2016, p. 2.
 Leapers, Inc., “Bipods and Shooting Stands”, Retrieved from <http://www.leapers.com/index.php?mitem=bipod&mtrack=m>, Known to exist as early as Sep. 26, 2016, p. 1.
 Brownells, Inc., “GPS, LLC.—Military Model Grip Pod Picatinny Mount”, Retrieved from <https://www.brownells.com/shooting-accessories/bipods-monopods-amp-accessories/bipod-accessories/grip-pod-gps-02-military-model-prod244>, Known to exist as early as Sep. 26, 2016, p. 2.
 Battenfeld Technologies, Inc., “Caldwell Shooting Bipod”, Retrieved from <https://www.btibrands.com/product/shooting-bipod/>, Known to exist as early as Sep. 26, 2016, p. 2.
 Vanguard, “Equalizer Pro 2”, Retrieved from https://www.vanguardworld.us/hunting_us/products/support-systems/equalizer-pro-2.html#go-sectionTop, Known to exist as early as Sep. 26, 2016, p. 5.
 Fab Defense, “H-Pod”, Retrieved from <https://www.fab-defense.com/en/category-bipods/id-774/harris-bipod-tilting-rotating-picatinny-adaptor-.html>, Known to exist as early as Sep. 26, 2016, p. 1.
 Harris Bipods, “Harris Bipods and Adapters”, Retrieved from <http://www.harrisbipods.com/>, Known to exist as early as Sep. 26, 2016, p. 8.
 hkparts.net, “HK German Rifle All Steel Bipod—For Use With the HK Wide Forearm”, Retrieved from <http://www.hkparts.net/shop/pc/HK-German-All-Steel-Bipod-G3-91-93-33-p215.htm>, Known to exist as early as Sep. 26, 2016, p. 2.
 boltcarrier.com, “Knight’s Armament (KAC) KAC Bi Pod Assembly”, Retrieved from <https://www.boltcarrier.com/product/kac-bi-pod/>, Known to exist as early as Sep. 26, 2016, p. 1.
 Military Advantage, “M249 Squad Automatic Weapon”, Retrieved from <https://www.military.com/equipment/m249-squad-automatic-weapon>, Known to exist as early as Sep. 26, 2016, p. 2.
 Sarco, Inc., “M60 US GI Bipod”, Retrieved from <http://www.e-sarcoinc.com/m60bipod.aspx>, Known to exist as early as Sep. 26, 2016, p. 2.
 Mystic Precision, “Mpod”, Retrieved from <http://mysticprecision.com/mpod/>, Known to exist as early as Sep. 26, 2016, p. 3.

(56)

References Cited

OTHER PUBLICATIONS

CAA, “NBPS Bottom Rail Mounting Short Bipod Picatinny”, Retrieved from <https://usa.caagearup.com/nbps-bottom-rail-mounting-short-bipod-picatinny>, Known to exist as early as Sep. 26, 2016, p. 4.

Fidelis Firearms, “Parker-Hale Bipods”, Retrieved from <http://fidelisfirearms.com/bipods/>, Known to exist as early as Sep. 26, 2016, p. 1.

KFS Industries, Inc., “S7 Bipods”, Retrieved from <http://s7bipod.com/>, Known to exist as early as Sep. 26, 2016, p. 2.

Midwest Gun Works, Inc., “Sako TRG 22/42 Bipod”, Retrieved from <https://www.midwestgunworks.com/page/mgwi/prod/S5740495?>, Known to exist as early as Sep. 26, 2016, p. 2.

Blackhawk!, “Sportster Traversetrack Bipod”, Retrieved from <https://blackhawk.com/products/long-gun-accessories/long-gun-accessories/bipods/sportster-traversetrack-bipod>, Known to exist as early as Sep. 26, 2016, p. 7.

GG&G, “Standard XDS Bipod”, Retrieved from <http://www.gggaz.com/standard-xds-swivel-bipod.html>, Known to exist as early as Sep. 26, 2016, p. 4.

The Mako Group, “Tactical Vertical Foregrip With Integrated Adjustable Bipod—Gen 2—T-PODG2QR”, Retrieved from <https://www.themakogroup.com/foregrips/tactical-vertical-foregrip-with-integrated-adjustable-bipod-gen-2-t-podg2qr.html>, Known to exist as early as Sep. 26, 2016, p. 4.

The Mako Group, “Tavor Quick Deployment Bipod”, Retrieved from <https://www.themakogroup.com/tavor-quick-deployment-bipod-4462.html>, Known to exist as early as Sep. 26, 2016, p. 3.

Tiptop Bipod, “Tiptop EZ Pivot & Pan Rifle Bipod 6-9: Sling Stud Mount: Extendable, Folding, With Sling-Attached Hole PN# S7-74667”, Retrieved from <https://www.amazon.com/Tiptop%C2%AE-Pivot-Rifle-Bipod-Sling-attached/dp/B00QJ67A1Q>, Known to exist as early as Sep. 26, 2016, p. 8.

KFS Industries, Inc., “Versa-Pod”, Retrieved from <http://stores.versapod.com/>, Known to exist as early as Sep. 26, 2016, p. 2.

* cited by examiner

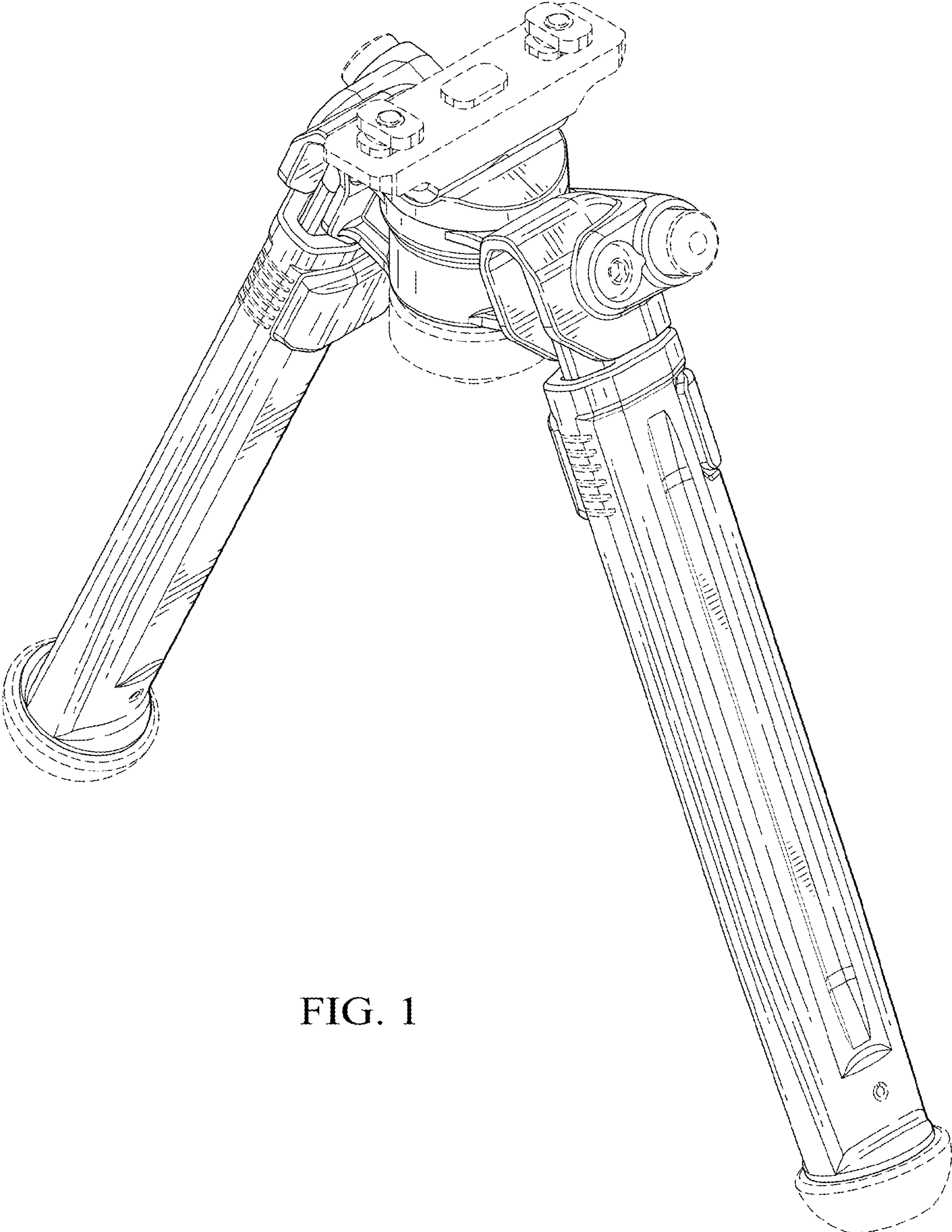


FIG. 1

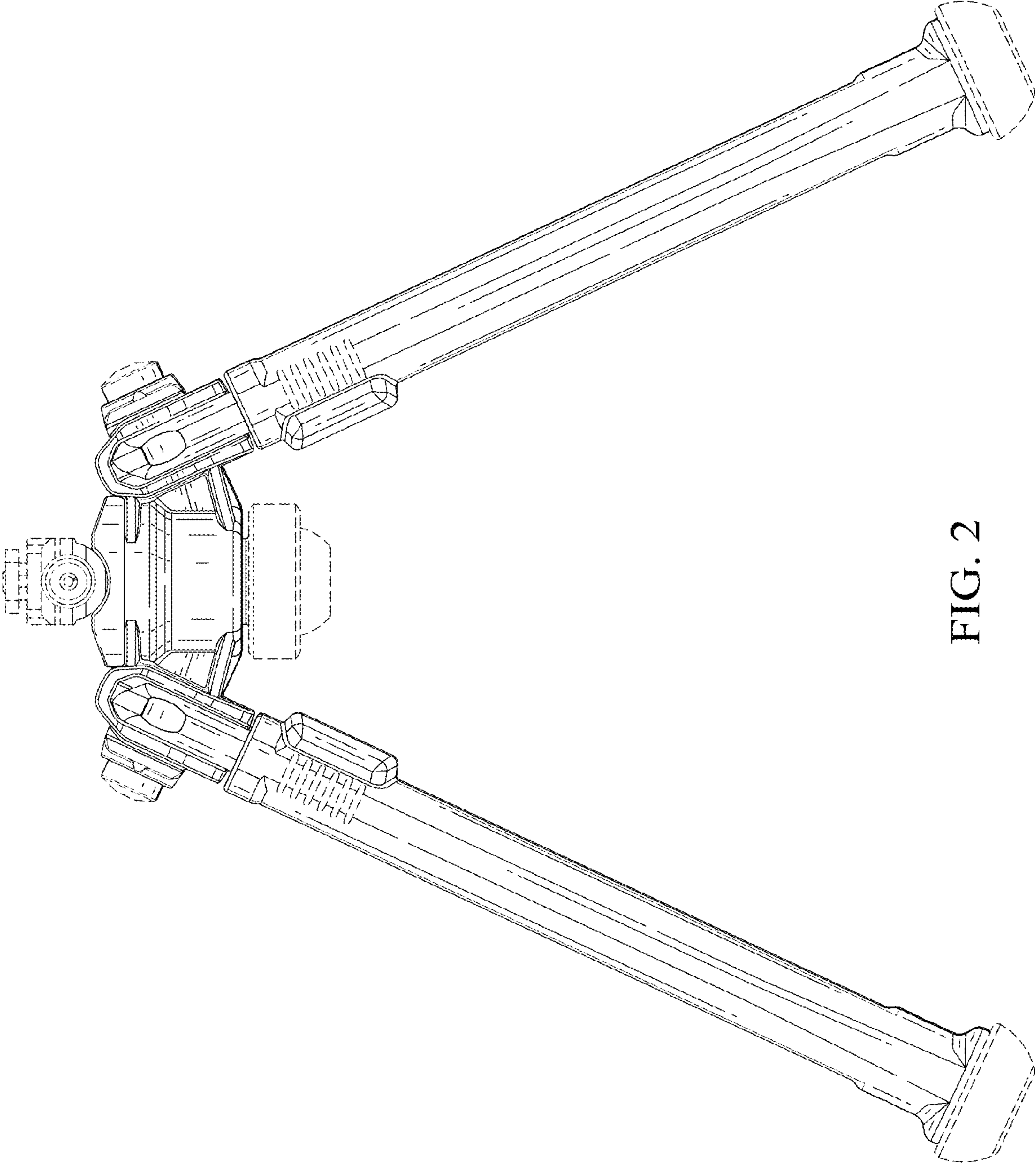


FIG. 2

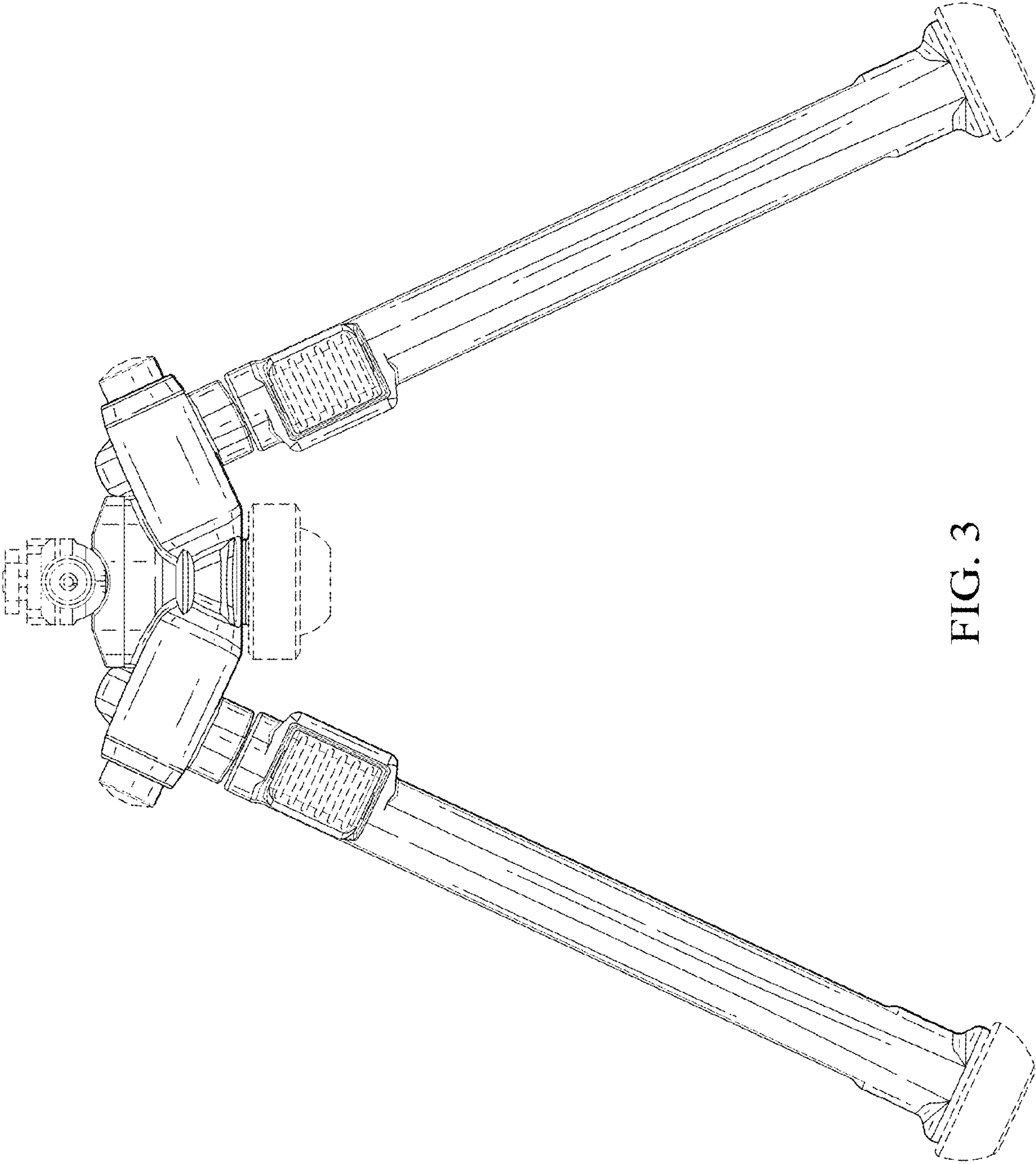


FIG. 3

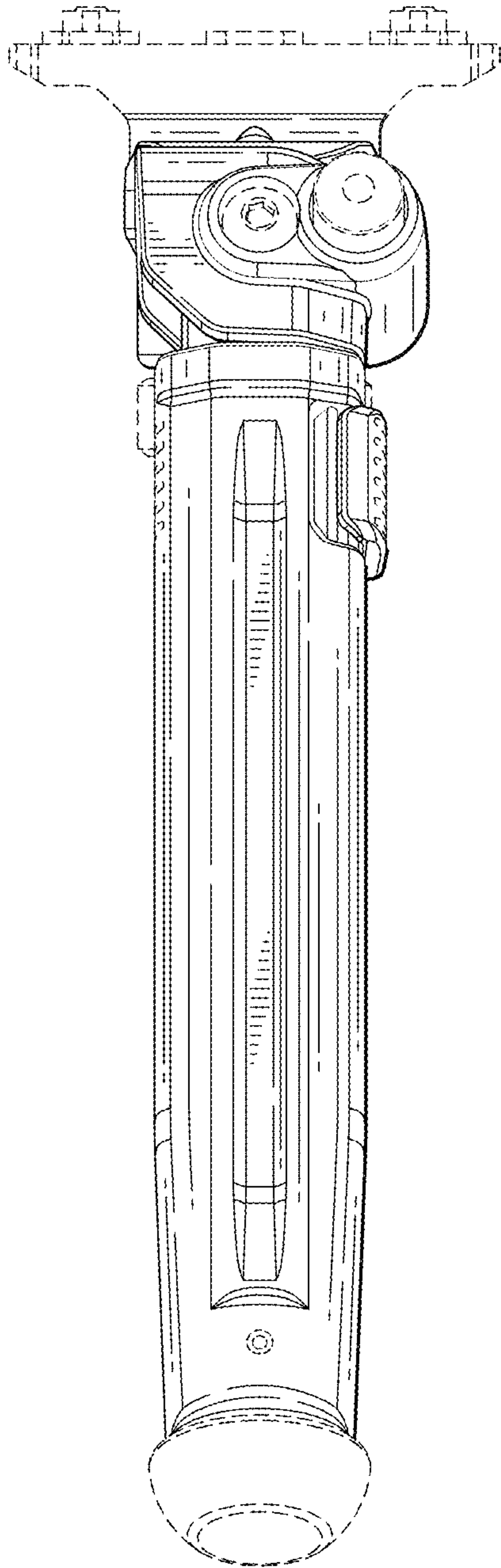


FIG. 4

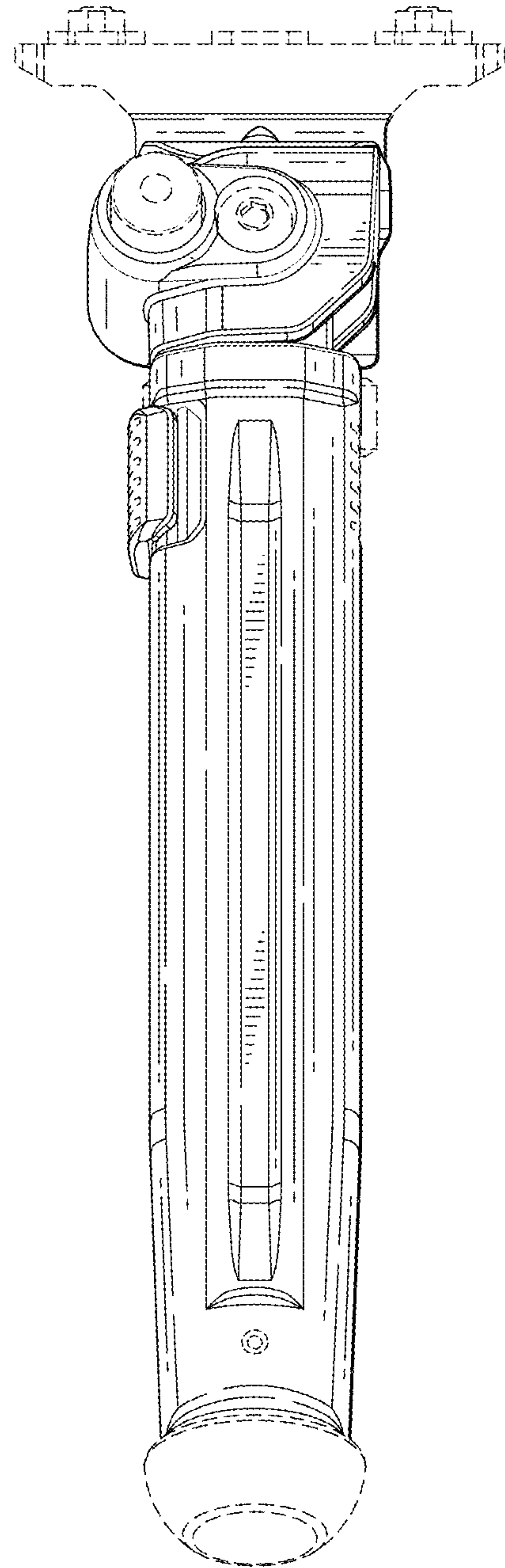


FIG. 5

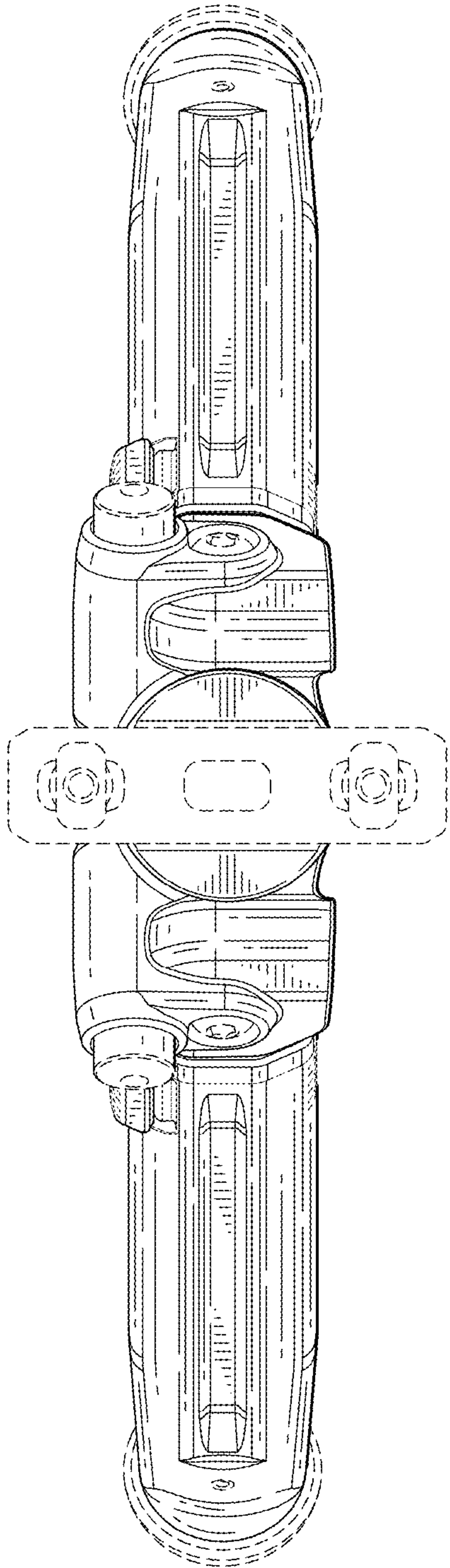


FIG. 6

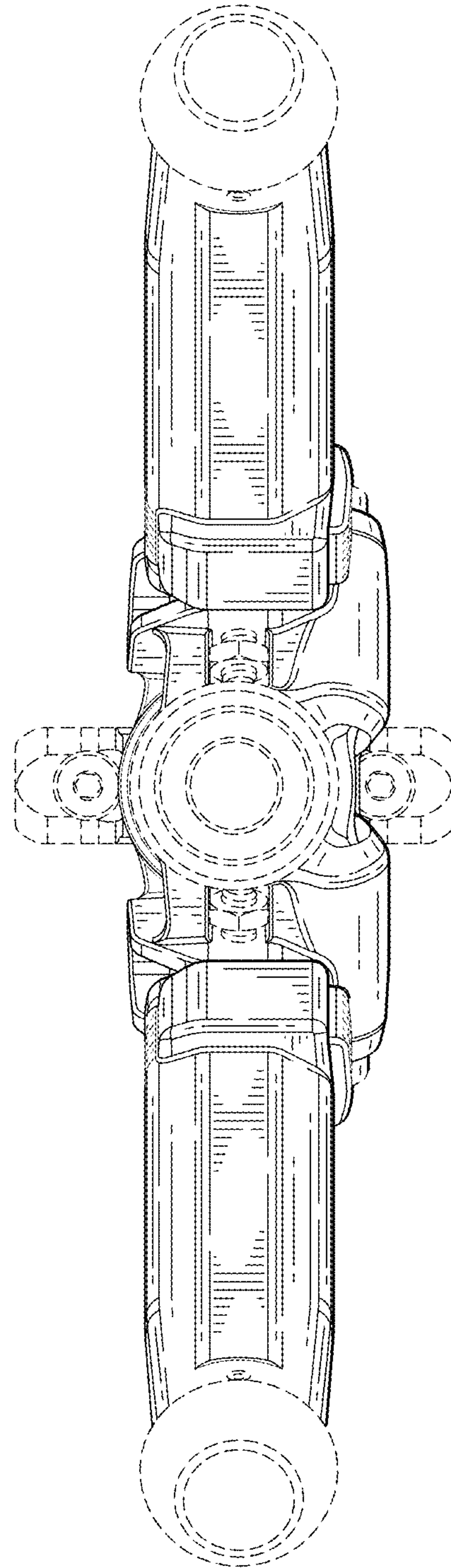


FIG. 7