



US00D875866S

(12) **United States Design Patent**
McIlvain

(10) **Patent No.:** **US D875,866 S**

(45) **Date of Patent:** **** Feb. 18, 2020**

(54) **COMBINATION GOLF UTILITY TOOL AND BALL MARKER**

(71) Applicant: **Douglas McIlvain**, Ellicott City, MD (US)

(72) Inventor: **Douglas McIlvain**, Ellicott City, MD (US)

(**) Term: **15 Years**

(21) Appl. No.: **29/666,300**

(22) Filed: **Oct. 11, 2018**

(51) **LOC (12) Cl.** **21-02**

(52) **U.S. Cl.**
USPC **D21/793**

(58) **Field of Classification Search**
USPC D21/789, 793, 794
CPC A63B 57/353; A63B 57/207; A63B 57/00;
A63B 57/30; A63B 57/35; A63B 57/50;
A63B 57/12; A63B 57/16; A63B 57/20
See application file for complete search history.

(56) **References Cited**

U.S. PATENT DOCUMENTS

D249,814 S *	10/1978	Cudahy, III	D21/793
D356,358 S *	3/1995	Woodruff	D21/793
D419,631 S *	1/2000	Fazekas	D21/793
D606,149 S *	12/2009	Regalado	D21/793
D622,799 S *	8/2010	Cameron	A63B 59/50
				D21/794
D647,992 S *	11/2011	Bohannon	D21/793
8,512,169 B2 *	8/2013	Bohannon	A63B 57/50
				473/408
D792,541 S *	7/2017	Beard	D21/793
D807,977 S *	1/2018	Lee	D21/789
D816,789 S *	5/2018	Reich	D21/793
D826,354 S *	8/2018	Kragerud	D21/793

D826,355 S *	8/2018	Kenny	D21/793
D828,887 S *	9/2018	Kenny	D21/793
D834,124 S *	11/2018	Zwart	D21/793
D855,135 S *	7/2019	Kang	D21/793
2007/0082758 A1 *	4/2007	Widmann	A63B 57/207
				473/406

* cited by examiner

Primary Examiner — Mitchell I. Siegel

(74) *Attorney, Agent, or Firm* — Rosenberg, Klein & Lee

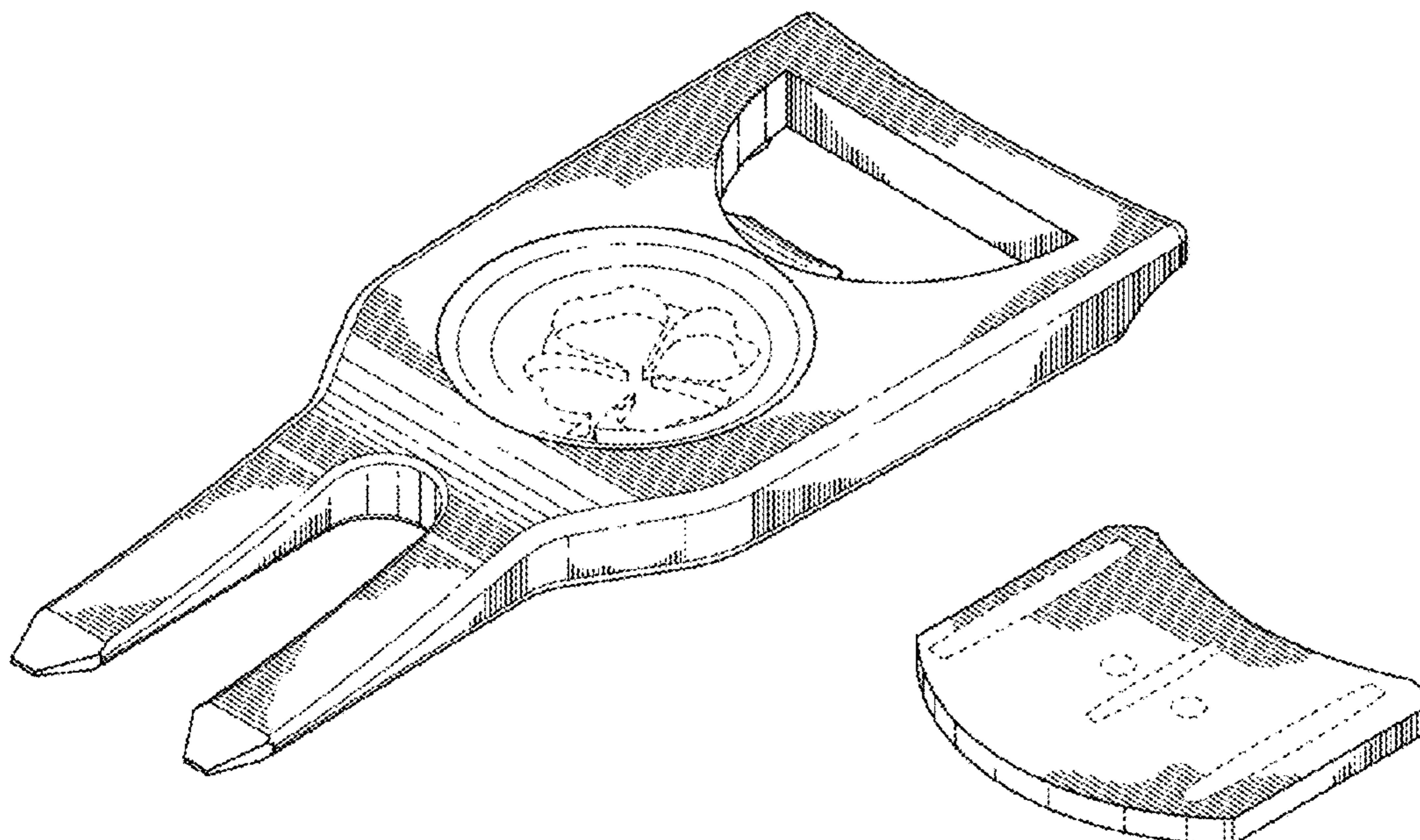
(57) **CLAIM**

The ornamental design for a combination golf utility tool and ball marker, as shown and described.

DESCRIPTION

FIG. 1 is an exploded frontal perspective view of a combination golf utility tool and ball marker incorporating my present invention;
 FIG. 2 is an exploded front elevational view thereof;
 FIG. 3 is an exploded rear elevational view thereof;
 FIG. 4 is an exploded right side elevational view thereof;
 FIG. 5 is an exploded left side elevational view thereof;
 FIG. 6 is an exploded top plan view thereof;
 FIG. 7 is an exploded bottom plan view thereof;
 FIG. 8 is a rear perspective view thereof, showing the ball marker portion inserted for stowage in a receiving slot of the tool body portion;
 FIG. 9 is an exploded rear perspective view thereof, relative to the view shown in FIG. 1; and,
 FIG. 10 is a right side elevational view shown with an unclaimed golf ball in use for stenciling.
 The broken line showing of a patterned stencil opening on the utility tool, the pattern on the front and rear of the ball marker, and the golf ball are included for the purpose of illustrating unclaimed subject matter and forms no part of the claimed design.

1 Claim, 8 Drawing Sheets



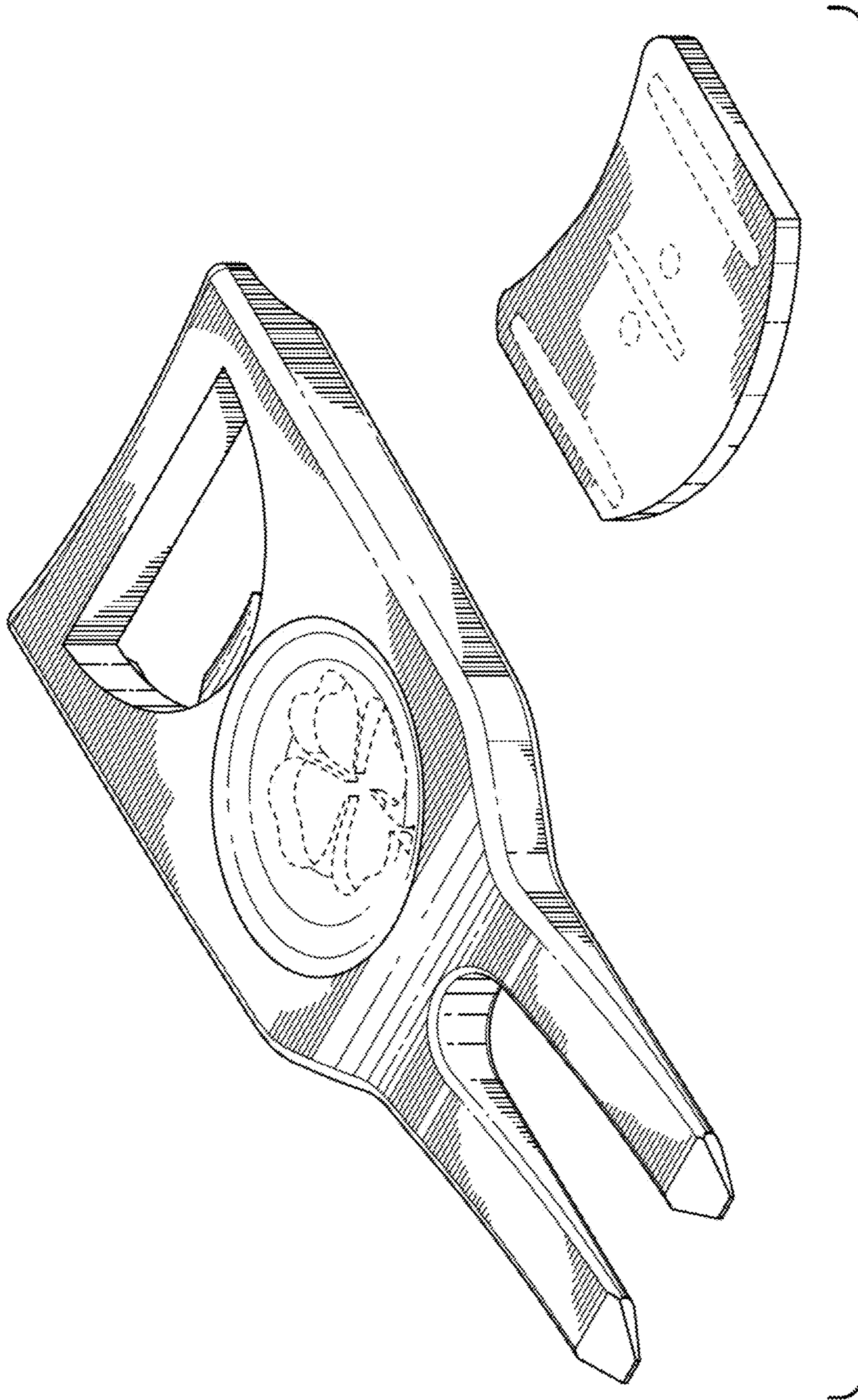


FIG. 1

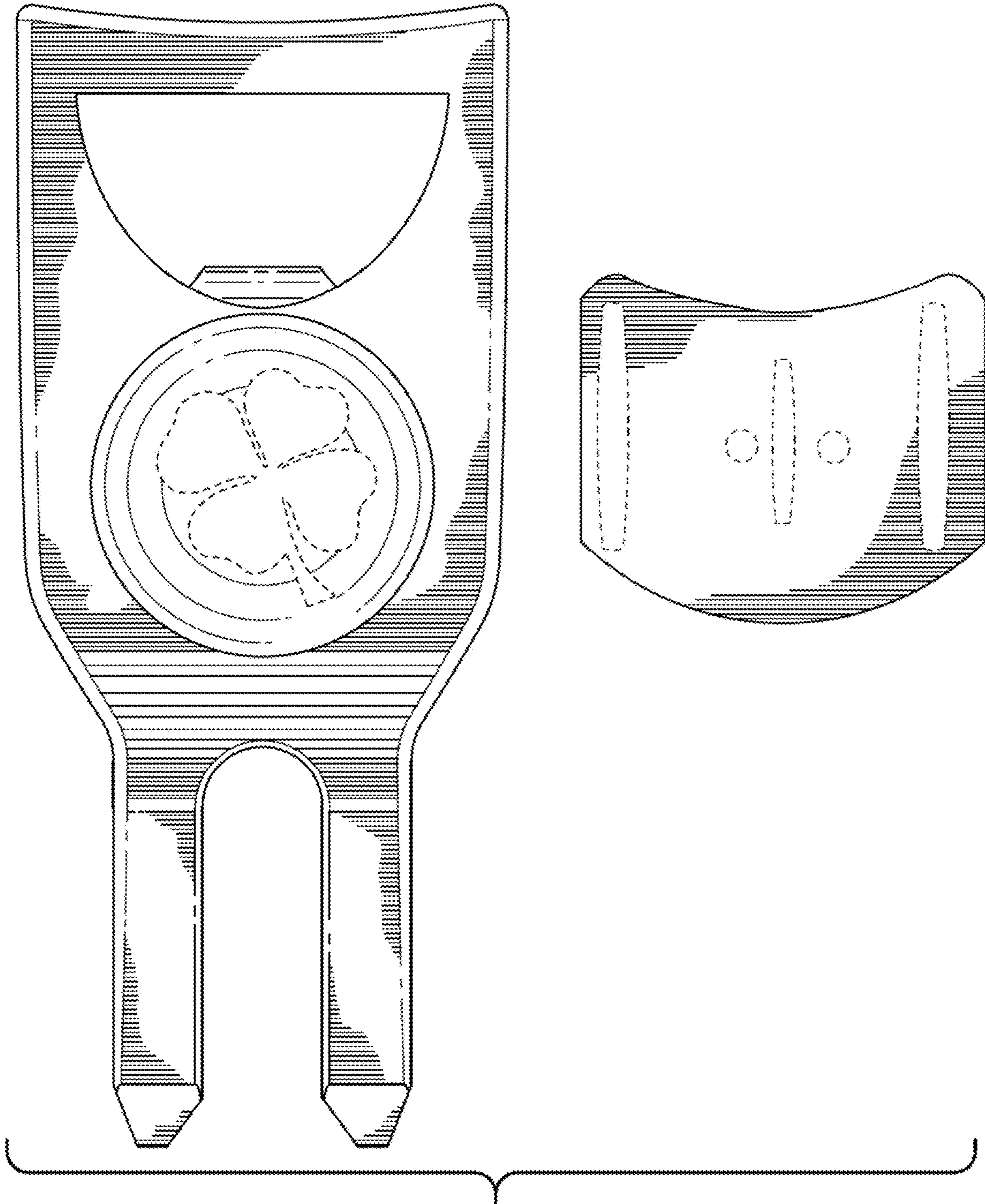


FIG. 2

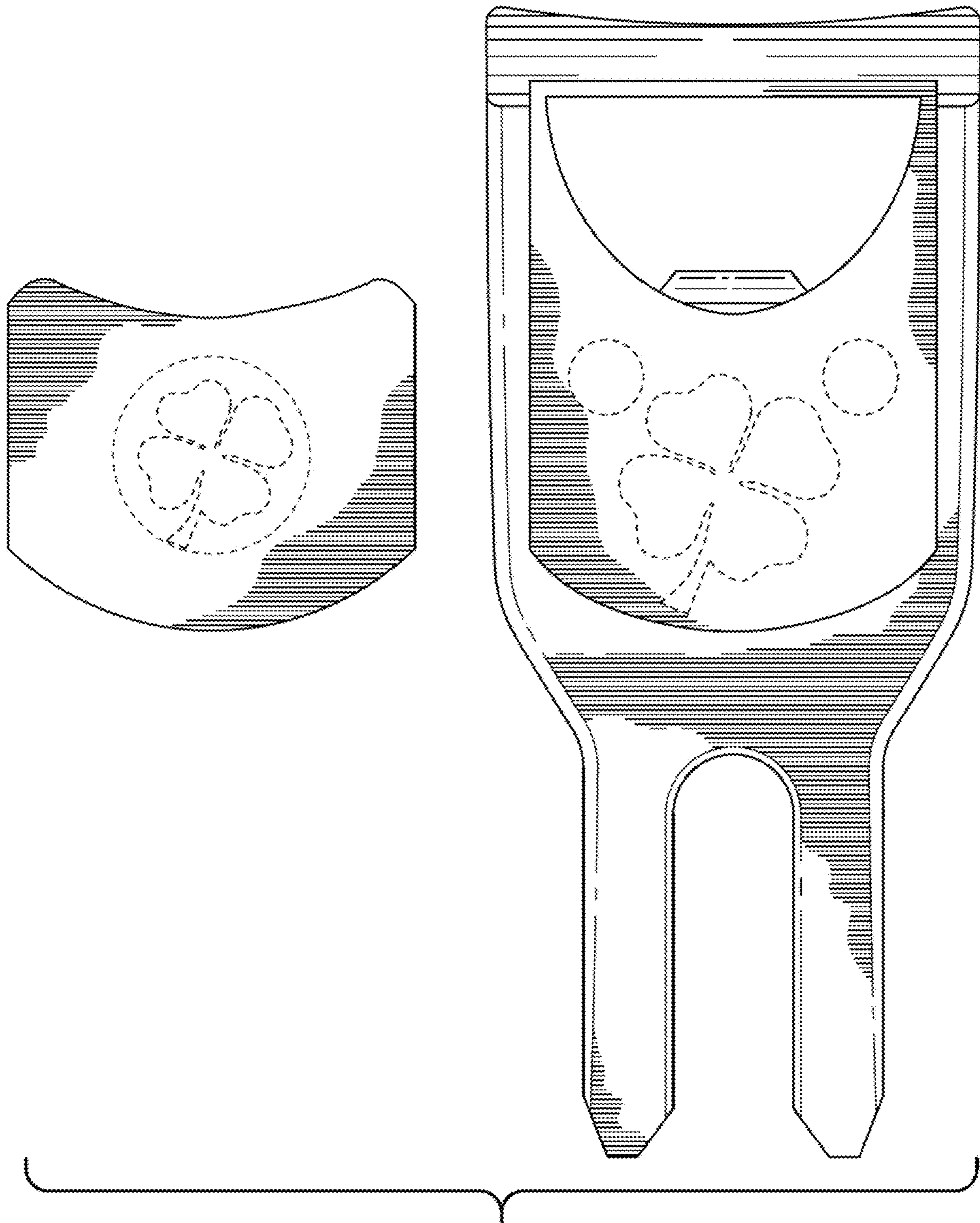


FIG. 3

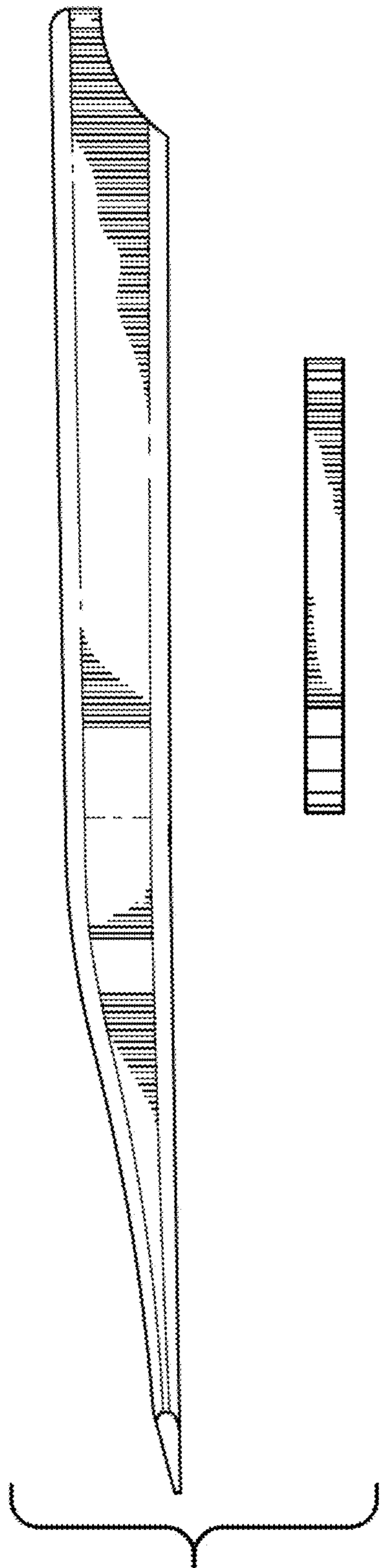


FIG. 4

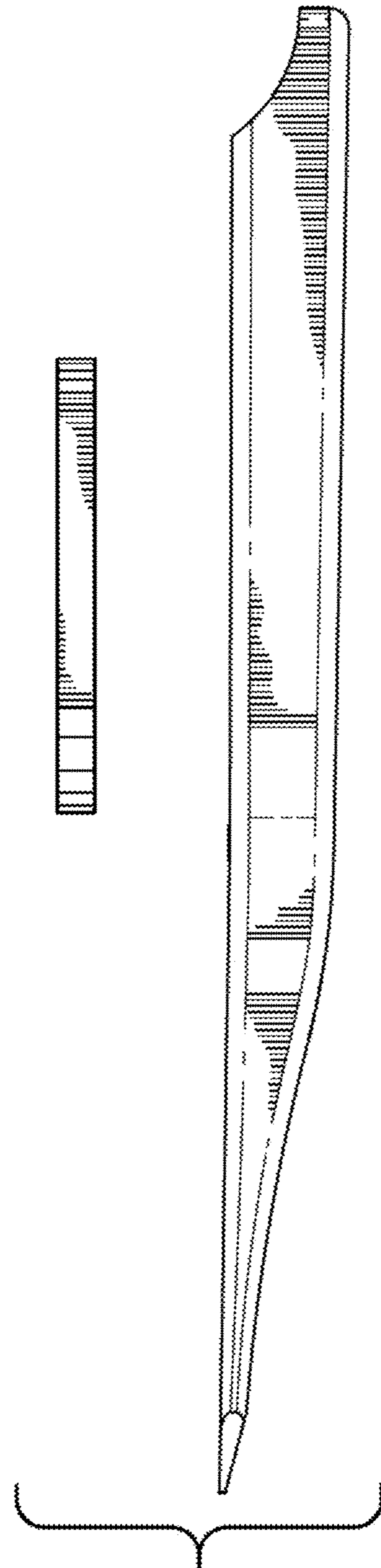


FIG. 5

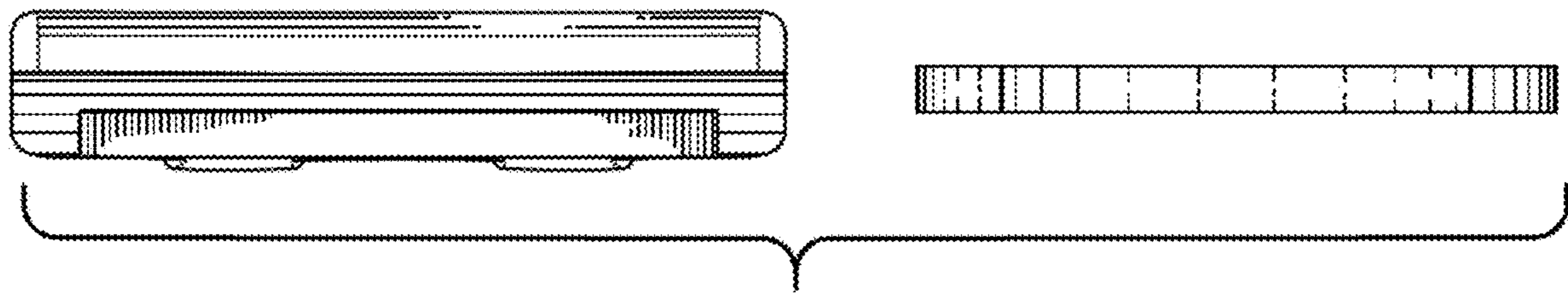


FIG. 6

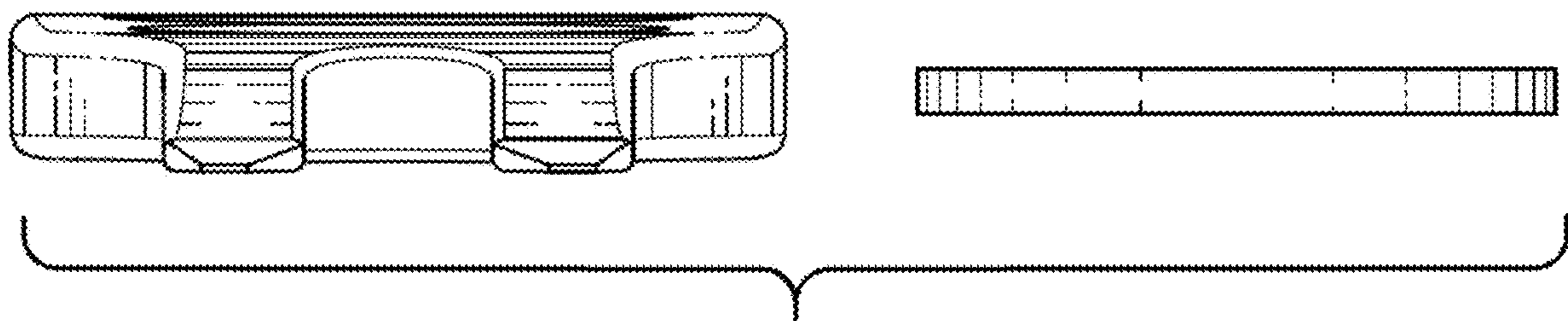


FIG. 7

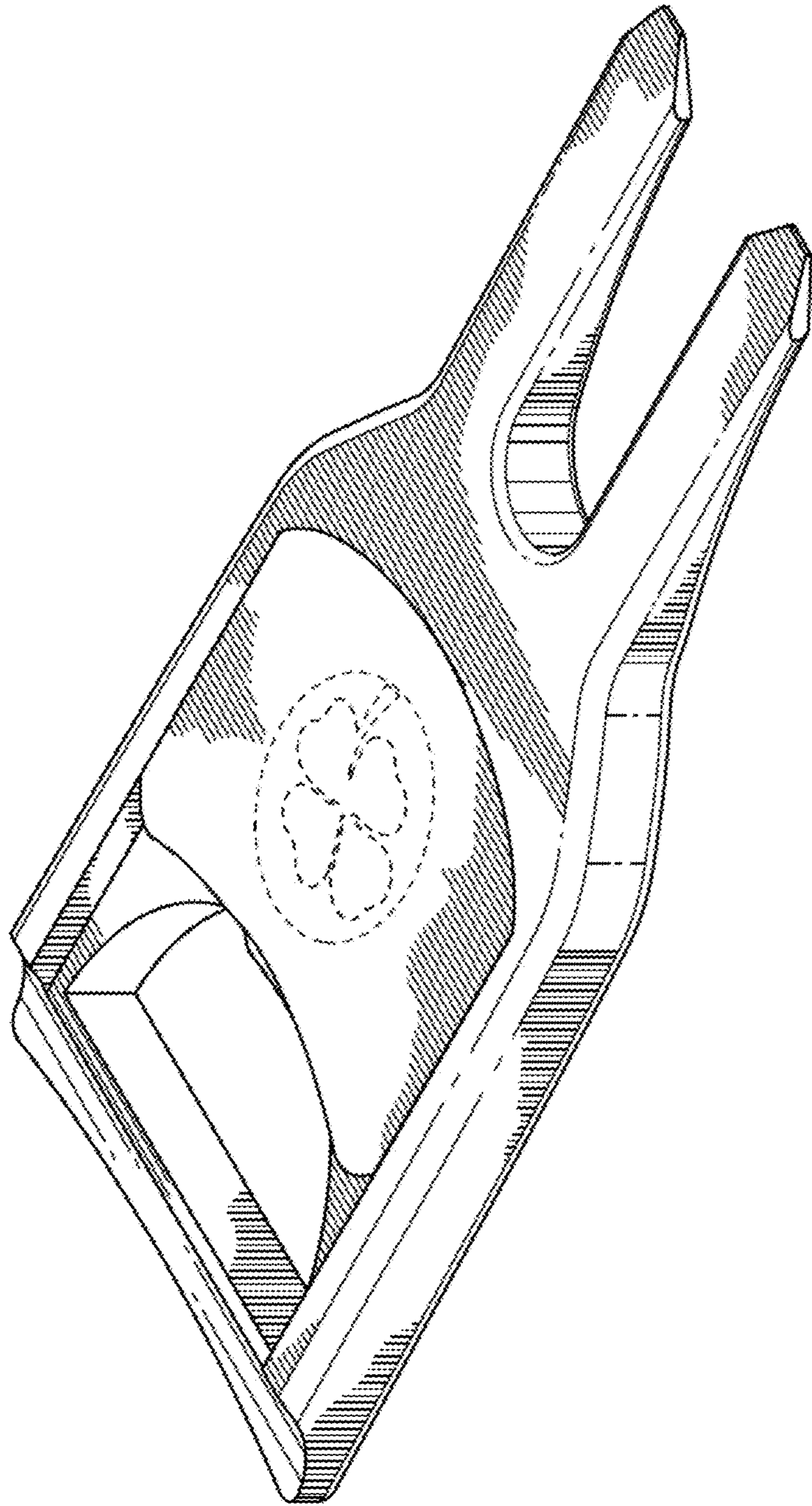


FIG. 8

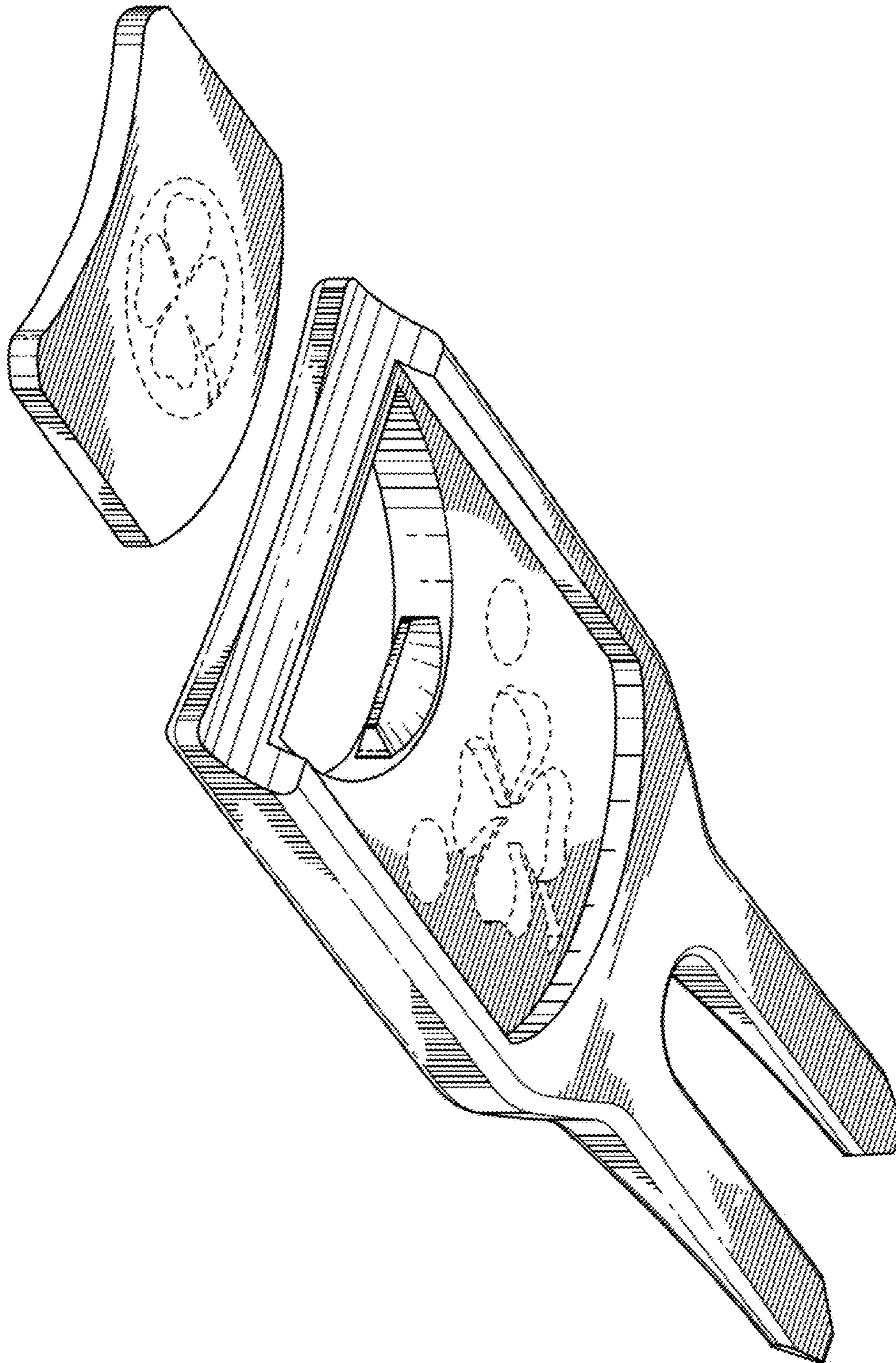


FIG. 9

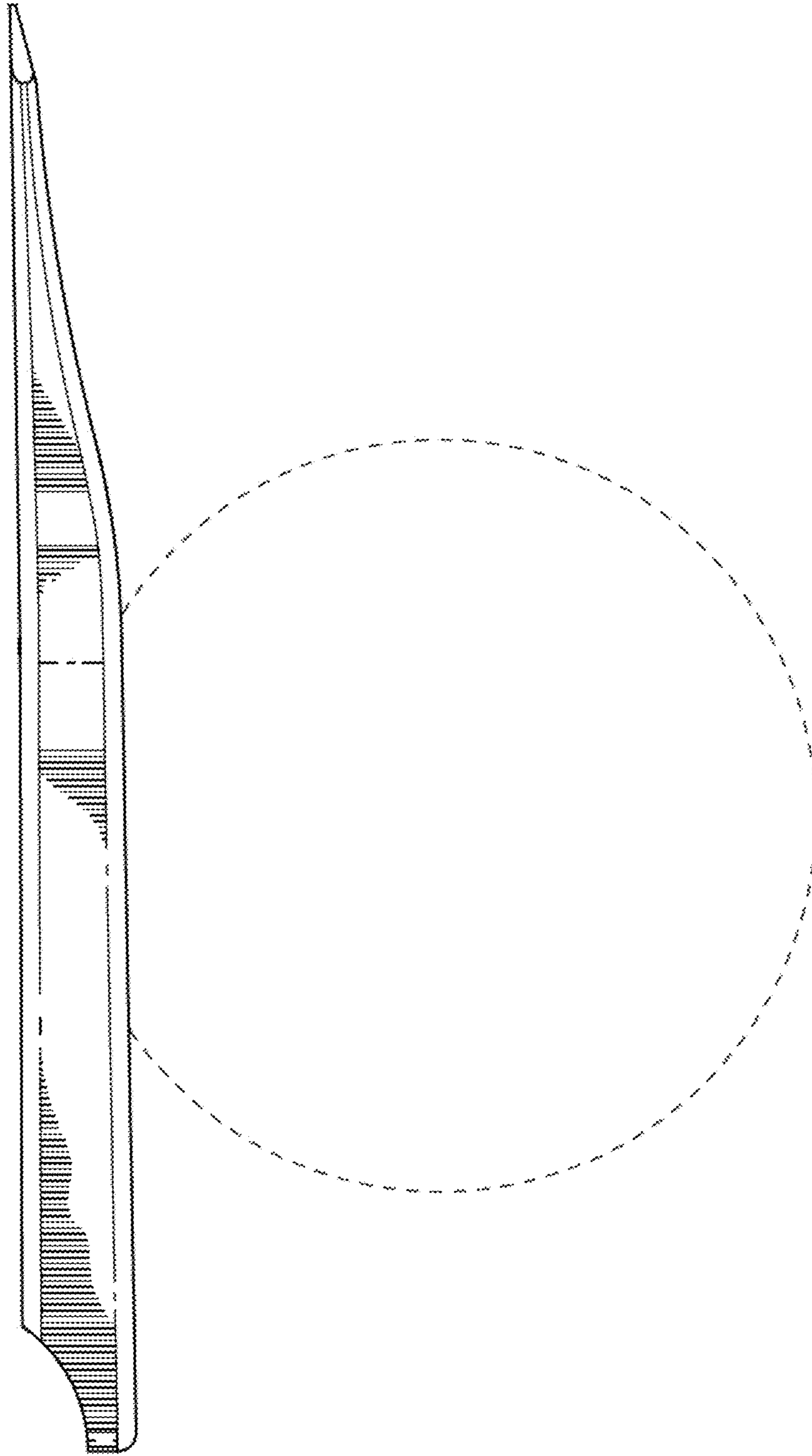


FIG. 10