



US00D875865S

(12) **United States Design Patent** (10) **Patent No.:** **US D875,865 S**
Steiner (45) **Date of Patent:** **** Feb. 18, 2020**

(54) **INFLATABLE STAND-UP PADDLE BOARD**
(71) Applicant: **Bernstein Beteiligungs GmbH**, Zug (CH)
(72) Inventor: **Joe Steiner**, Zug (CH)
(73) Assignee: **Bernstein Beteiligungs GmbH**, Zug (CH)
(**) Term: **15 Years**
(21) Appl. No.: **29/552,068**
(22) Filed: **Jan. 20, 2016**
(51) **LOC (12) Cl.** **21-02**
(52) **U.S. Cl.**
USPC **D21/769**
(58) **Field of Classification Search**
USPC D21/421, 542, 675, 698, 703, 753, 754, D21/756, 758, 760, 766, 769, 770, 771, D21/772, 773, 774, 775, 801, 802, 803, D21/804, 805, 806, 807, 808, 809, 815; D12/6, 301, 302, 303, 304, 307, 316, D12/317; 441/56, 65, 74, 75, 79; D2/913, 916, 917, 923, 927
CPC . A63B 31/10; B63B 35/7906; B63B 35/7926; B63B 35/73; B26B 17/005
See application file for complete search history.

RE38,467 E * 3/2004 Lincoln B63B 35/7906 D21/769
D503,206 S * 3/2005 Debold D21/769
D517,630 S * 3/2006 Wickstrom D21/760
D522,904 S * 6/2006 Lee D11/81
D522,905 S * 6/2006 Lee D11/81
D573,681 S * 7/2008 Svendsen D21/802
(Continued)

FOREIGN PATENT DOCUMENTS

WO WO D088976-001 * 1/2016
WO WO D088976-002 * 1/2016
(Continued)

OTHER PUBLICATIONS

Available Aug. 9, 2018, [online], [site visited Aug. 9, 2018].
Available from Internet, <URL:https://express.google.com/product/9934947177650099306_7022775251422839881_1699011> (Year: 2018).*

(Continued)

Primary Examiner — Michael C Stout
Assistant Examiner — Katrina N Gonzalez
(74) *Attorney, Agent, or Firm* — Brian Roffe

(57) **CLAIM**

The ornamental design for an inflatable stand-up paddle board, as shown.

DESCRIPTION

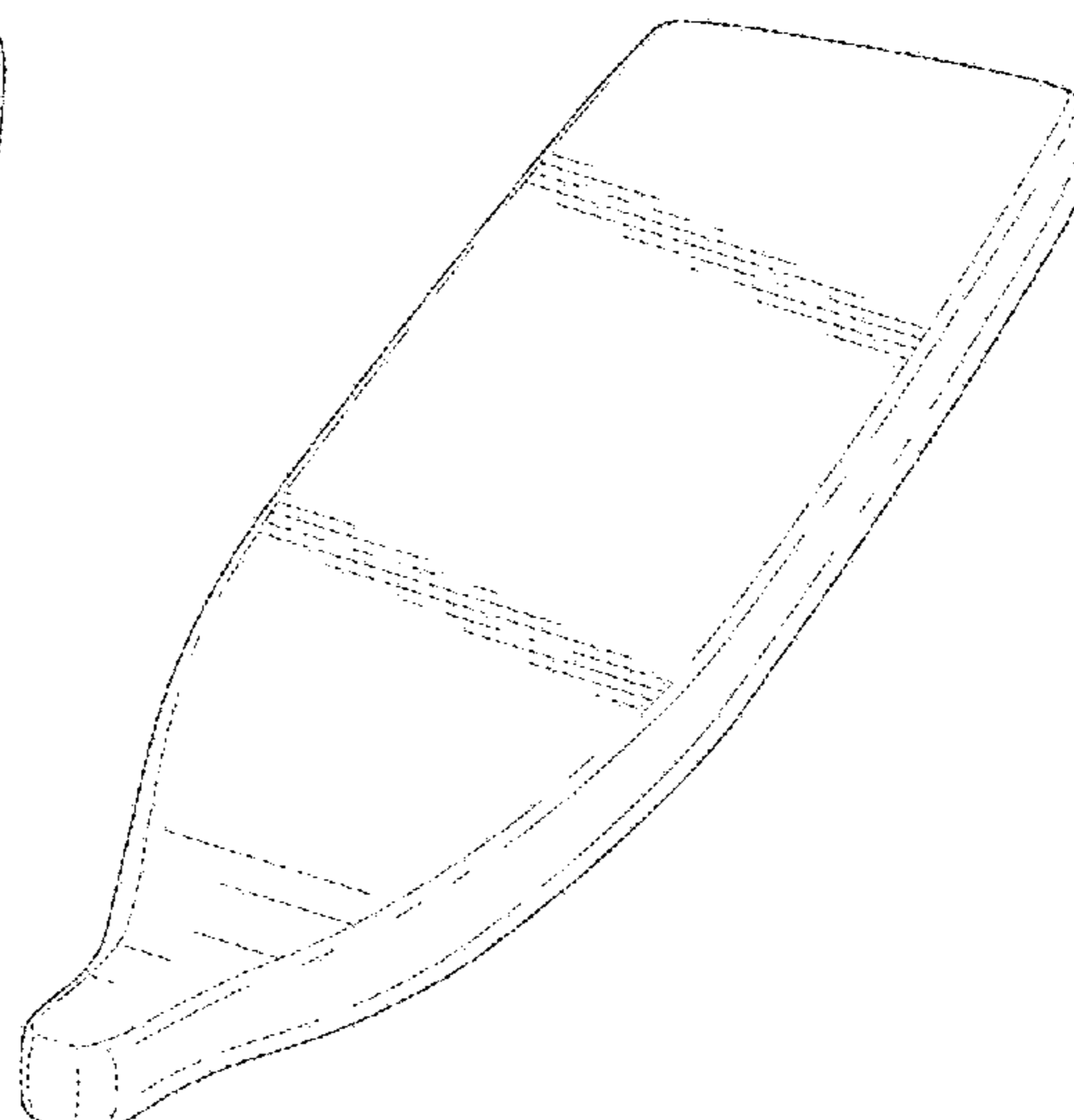
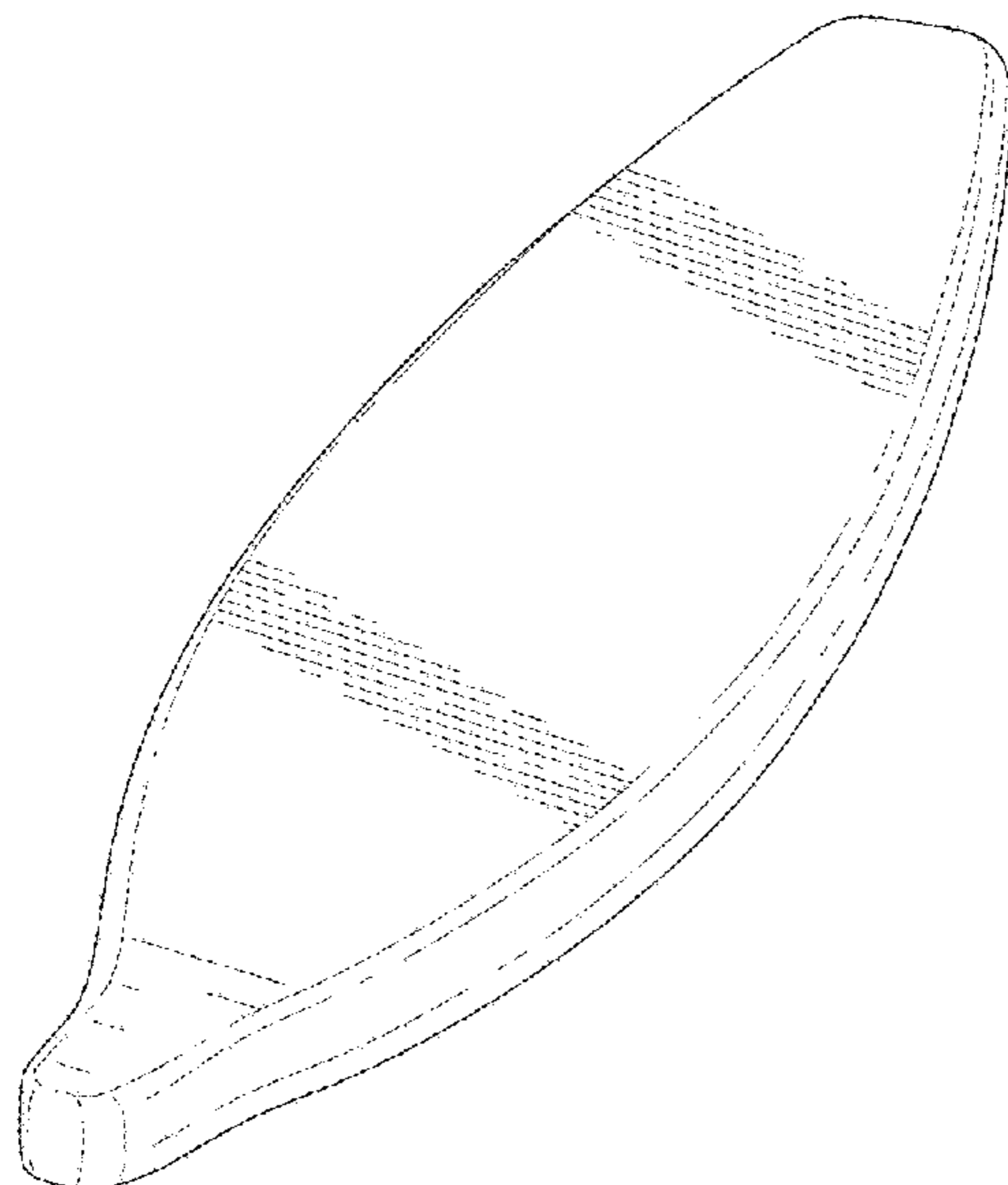
FIG. 1 is a perspective view of a first embodiment of an inflatable stand-up paddle board showing my new design; FIG. 2 is a front view thereof; FIG. 3 is a top view thereof; FIG. 4 is a perspective view of a second embodiment of an inflatable stand-up paddle board showing my new design; FIG. 5 is a front view thereof; and, FIG. 6 is a top view thereof.

1 Claim, 4 Drawing Sheets

(56) **References Cited**

U.S. PATENT DOCUMENTS

D145,083 S * 6/1946 Howland 441/74
D152,673 S * 2/1949 Clark 441/74
3,158,882 A * 12/1964 Kibby B63B 35/795 114/39.22
D209,797 S * 1/1968 Looney D12/307
D214,215 S * 5/1969 Keneklis D12/307
D214,535 S * 6/1969 Driedger D12/11
D214,598 S * 7/1969 Flannigan D12/307
D296,576 S * 7/1988 Gendron D21/769



(56)

References Cited

U.S. PATENT DOCUMENTS

D709,577 S	*	7/2014	Willey	D21/769
D713,917 S	*	9/2014	Brodhead	D21/769
D713,918 S	*	9/2014	Brodhead	D21/769
D718,826 S	*	12/2014	Barron	B63B 35/7906 D21/769
D777,861 S	*	1/2017	Sennett	D21/769
D777,862 S	*	1/2017	Sennett	D21/769
D785,738 S	*	5/2017	McKellar	D21/769
2014/0017963 A1	*	1/2014	Lazarovits	B63B 35/7906 441/74

FOREIGN PATENT DOCUMENTS

WO	WO D088976-003	*	1/2016
WO	WO D088976-004	*	1/2016

OTHER PUBLICATIONS

Available Aug. 9, 2018, [online], [site visited Aug. 9, 2018].
 Available from Internet, <URL:https://airboard.com/collections/sup/products/airboard-rocket> (Year: 2018).*

Available Aug. 9, 2018, [online], [site visited Aug. 9, 2018].
 Available from Internet, <URL:https://airboard.com/collections/sup/products/airboard-rocket-le> (Year: 2018).*

(Via Vimeo), available Mar. 10, 2016, [online], [site visited Aug. 9, 2018]. Video available from internet, <URL:https://vimeo.com/158457186> (Year: 2016).*

Available Dec. 4, 2017, [online], [site visited Aug. 9, 2017]. Available from Internet, <URL:https://www.youtube.com/watch?v=CIWGHV6uWug> (Year: 2017).*

(Via Vimeo), available Jun. 22, 2016, [online], [site visited Aug. 9, 2018]. Video available from internet, <URL:https://vimeo.com/171756868> (Year: 2016).*

Available Aug. 9, 2018, [online], [site visited Aug. 9, 2018]. Available from Internet, <URL:http://fun-care.ch/en/airboard-rocket-the-sup-innovation/> (Year: 2018).*

Available Sep. 17, 2015, [online], [site visited Aug. 9, 2018]. Available from Internet, <URL:http://www.supworldmag.com/new-products-paddleexpo-2015-airboard-rocket/> (Year: 2015).*

Available Feb. 5, 2015, [online], [site visited Aug. 9, 2018]. Available from Internet, <http://www.supworldmag.com/gear-preview-rocket-14-airboard-new-speed-concept/> (Year: 2015).*

Available Sep. 9, 2015, [online], [site visited Aug. 9, 2018]. Available from Internet, <http://www.supworldmag.com/new-products-paddleexpo-2015-airboard-rocket/> (Year: 2015).*

Available Aug. 13, 2017, [online], [site visited Aug. 9, 2018]. Available from Internet, <http://www.sport-bodensee.de/2017/08/13/isupsaufblasbare-raceboards-rrd-airrace-14-v2-vs-airboard-rocket/> (Year: 2017).*

Available Aug. 13, 2017, [online], [site visited Aug. 9, 2018]. Available from Internet, <http://www.standup-pages.ch/das-suendhaft-schnelle-kajuna-team-replica-14-gibt-sich-die-ehre/> (Year: 2017).*

* cited by examiner

FIG. 1

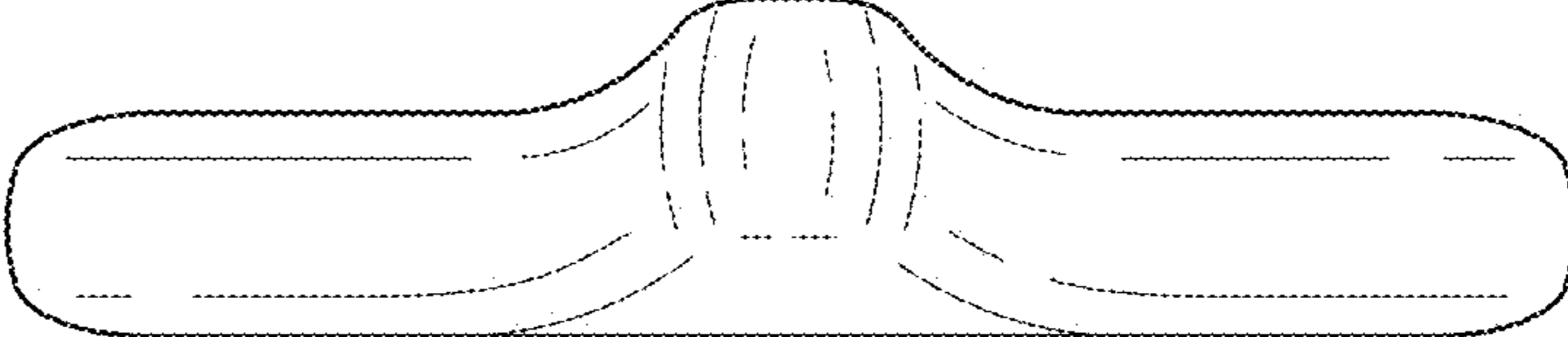
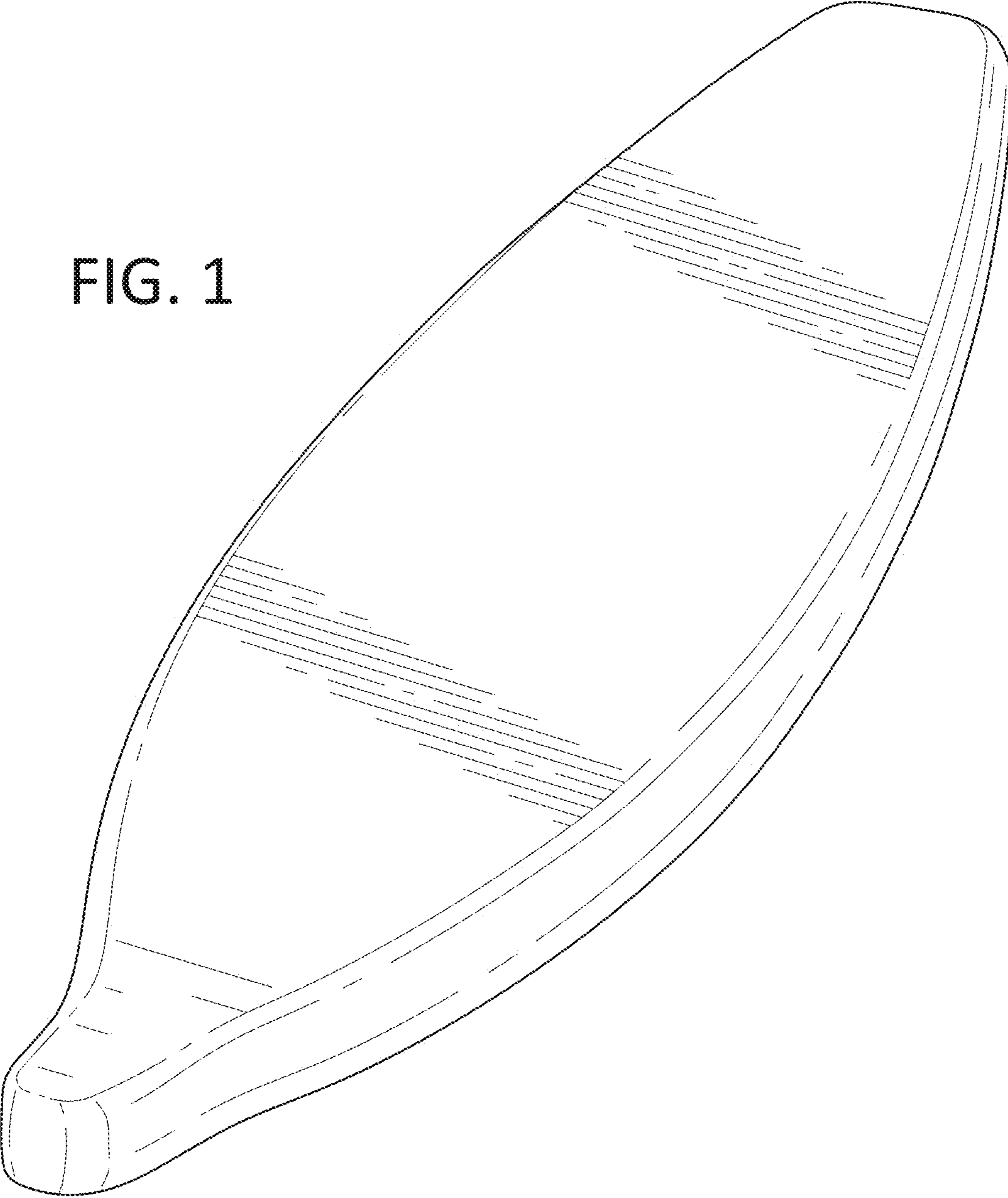


FIG. 2

FIG. 3

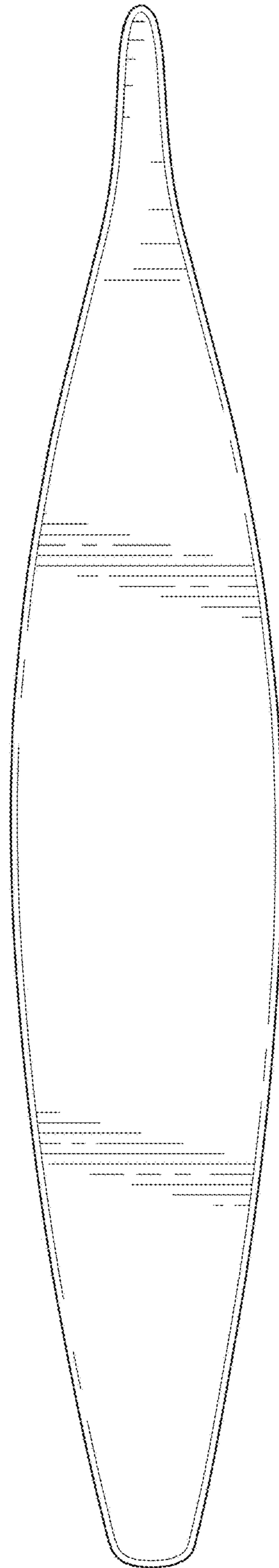


FIG. 4

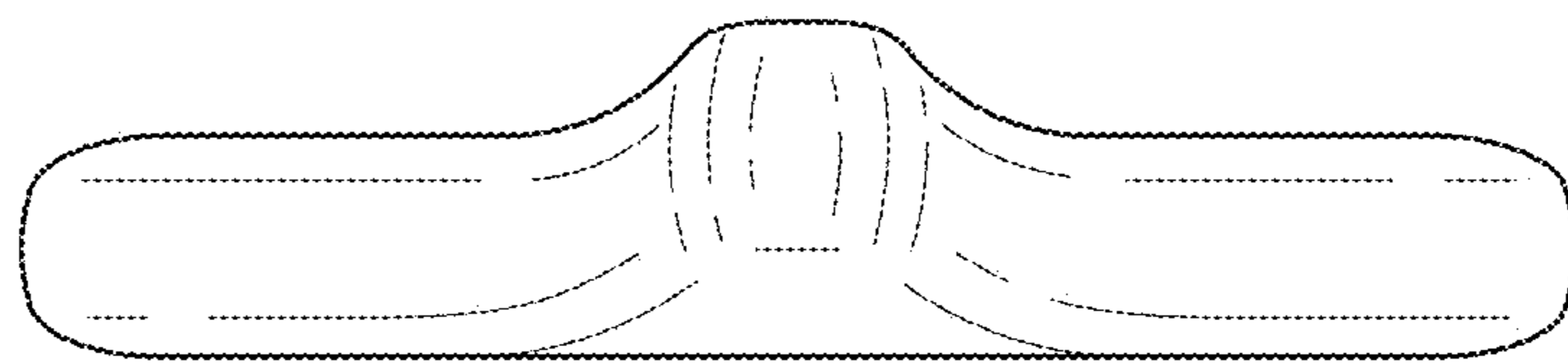
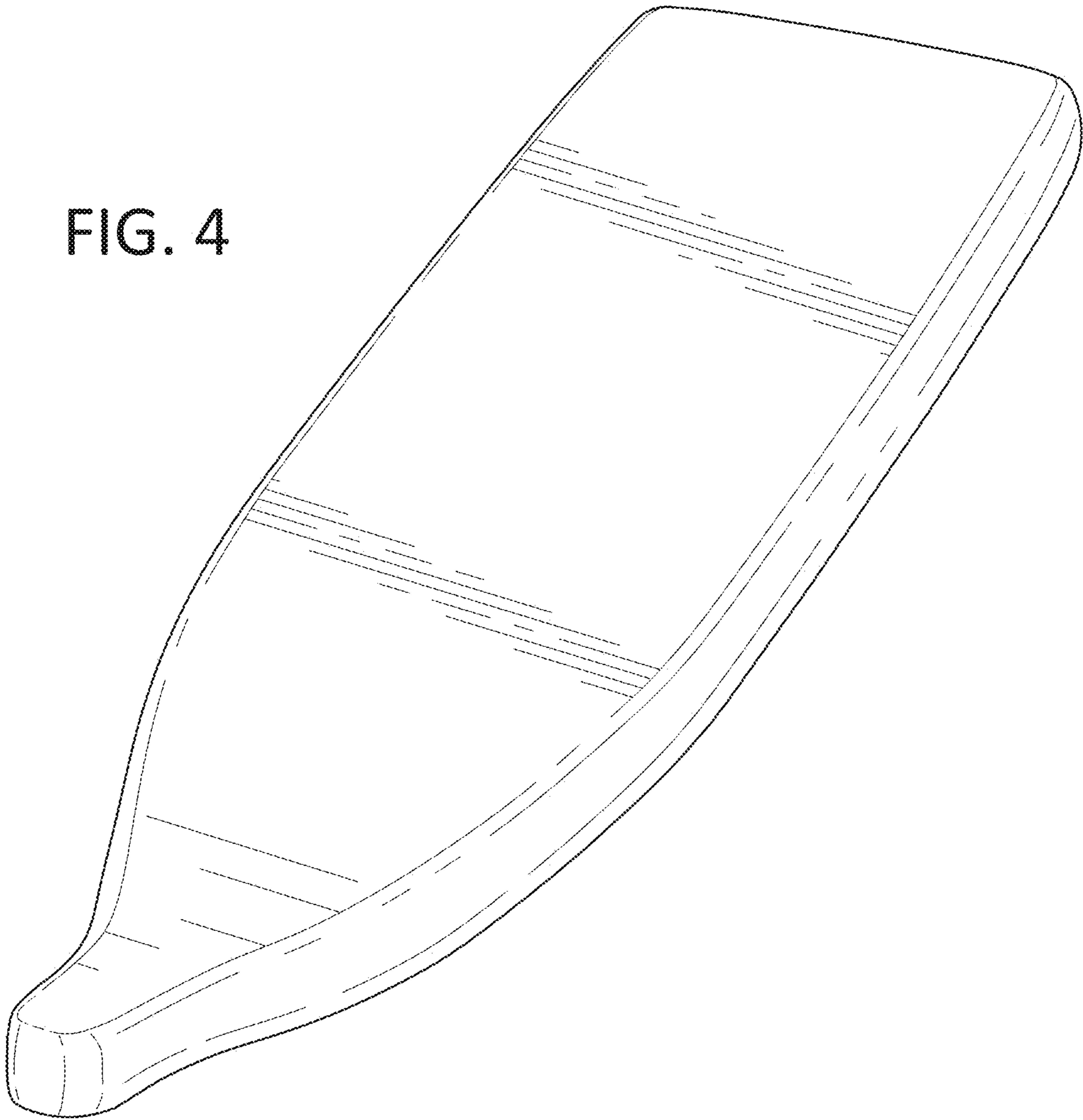


FIG. 5

FIG. 6

