



US00D875864S

(12) **United States Design Patent**
Cao

(10) **Patent No.:** **US D875,864 S**

(45) **Date of Patent:** **** Feb. 18, 2020**

(54) **ELECTRIC FOUR WHEEL SKATEBOARD**

(71) Applicant: **Zhifeng Cao**, Shaanxi (CN)

(72) Inventor: **Zhifeng Cao**, Shaanxi (CN)

(73) Assignee: **Shenzhen Tomoloo Technology Industrial Co., Ltd**, Shenzhen, Guangdong (CN)

(**) Term: **15 Years**

(21) Appl. No.: **29/624,419**

(22) Filed: **Oct. 31, 2017**

(51) **LOC (12) Cl.** **21-02**

(52) **U.S. Cl.**
USPC **D21/765**

(58) **Field of Classification Search**
USPC D21/419, 421, 423, 426, 662, 760, 765,
D21/766, 769, 771, 776, 803; D12/1;
D34/23, 28
CPC A63C 17/01; A63C 17/011; A63C 17/012;
A63C 17/014; A63C 17/015; A63C
17/02; A63C 17/26; A63C 5/003; B60Q
1/326; B62K 3/001
See application file for complete search history.

(56) **References Cited**

U.S. PATENT DOCUMENTS

D797,227 S * 9/2017 Treadway D21/765
D798,407 S * 9/2017 Pang D21/765

D817,427 S * 5/2018 Pang D21/765
D818,070 S * 5/2018 Pang D21/765
D835,220 S * 12/2018 Treadway D21/765
D838,793 S * 1/2019 Pang D21/765
2010/0222941 A1* 9/2010 Chang A63C 17/015
701/2
2018/0147478 A1* 5/2018 Wood B60L 7/10

* cited by examiner

Primary Examiner — Cynthia M. Chin

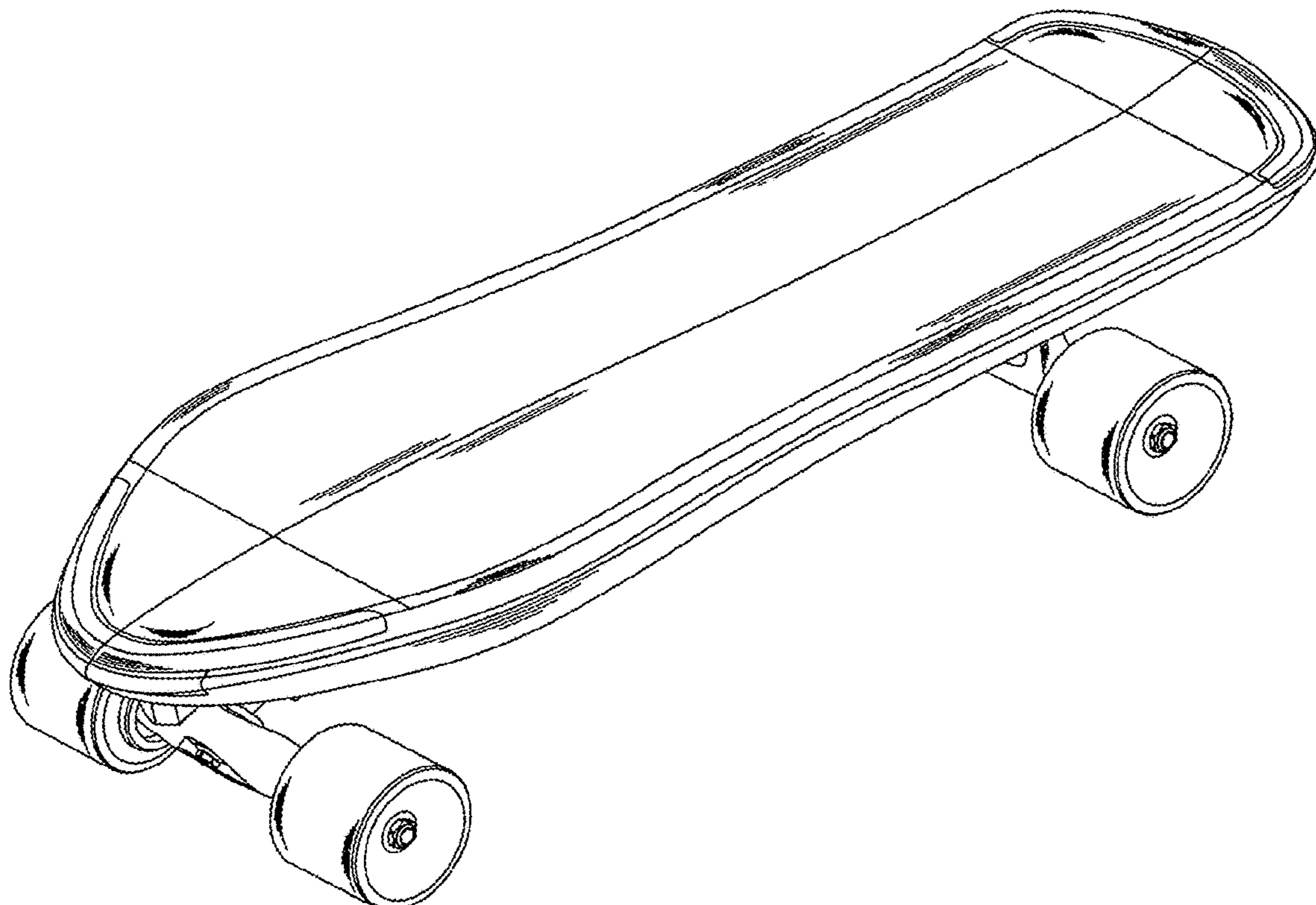
(57) **CLAIM**

The ornamental design for an electric four wheel skateboard, as shown and described.

DESCRIPTION

FIG. 1 is a perspective view of an electric four wheel skateboard showing my new design;
FIG. 2 is a front elevational view thereof;
FIG. 3 is a rear elevational view thereof;
FIG. 4 is a left side elevational view thereof;
FIG. 5 is a right side elevational view thereof;
FIG. 6 is a top plan view thereof; and,
FIG. 7 is a bottom plan view thereof.
The broken lines are for the purpose of illustrating portions of the article that form no part of the claimed design.

1 Claim, 7 Drawing Sheets



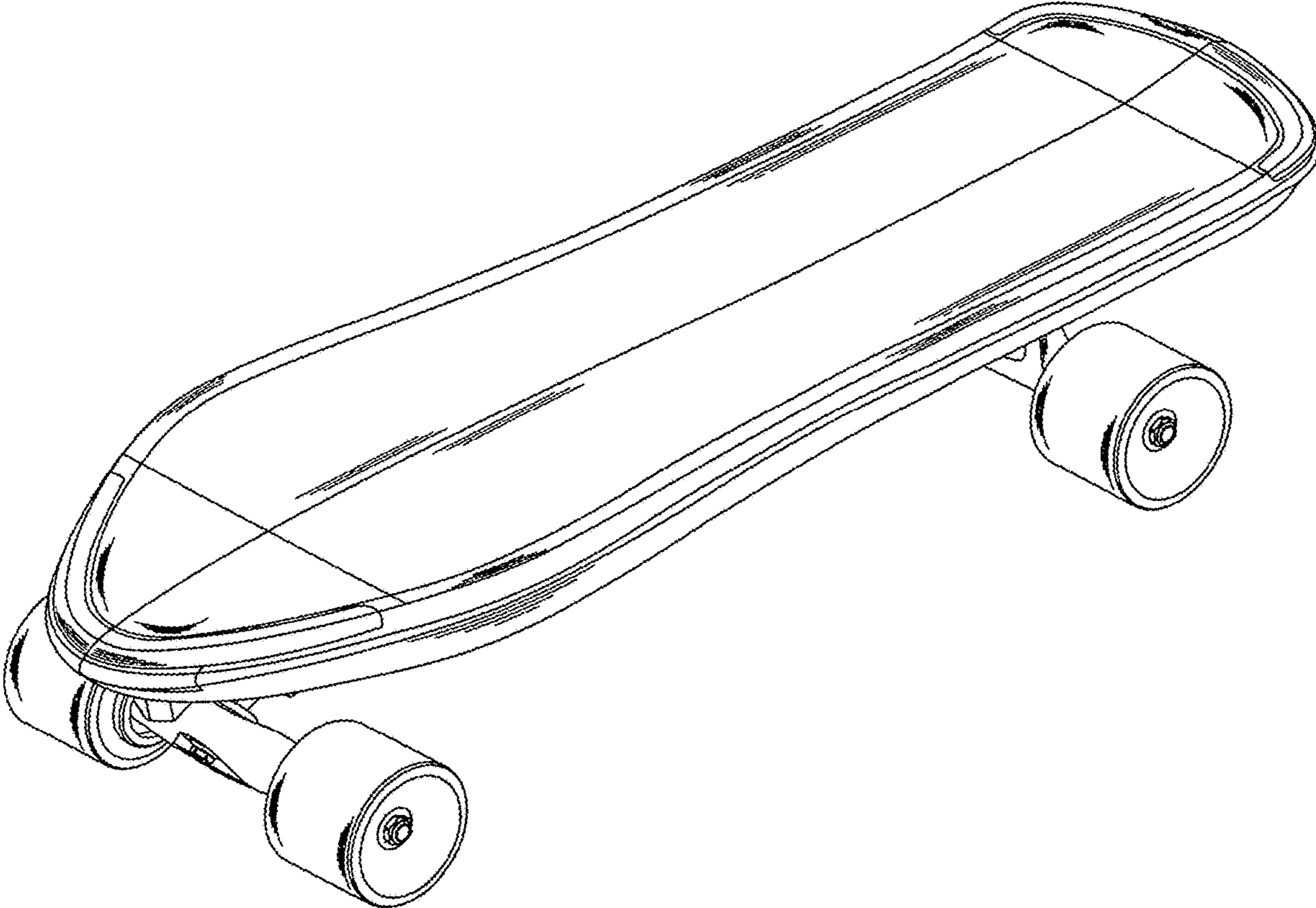


FIG.1

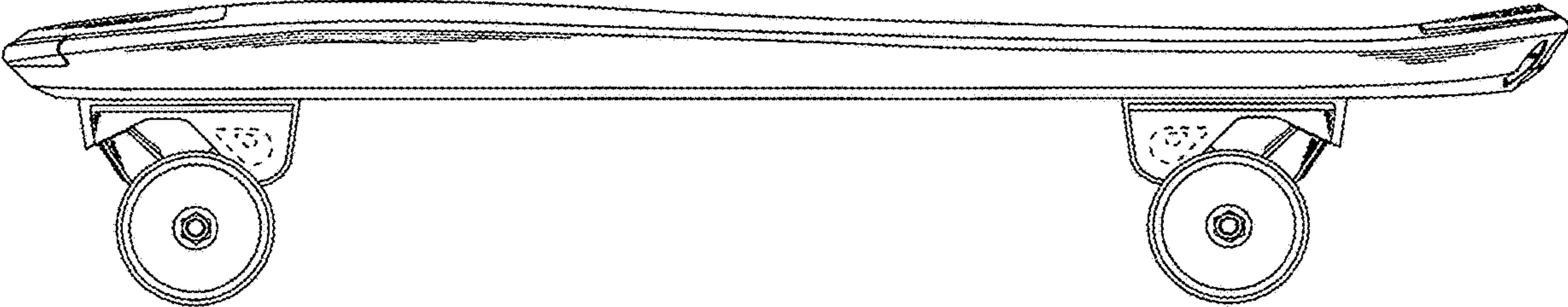


FIG. 2



FIG.3

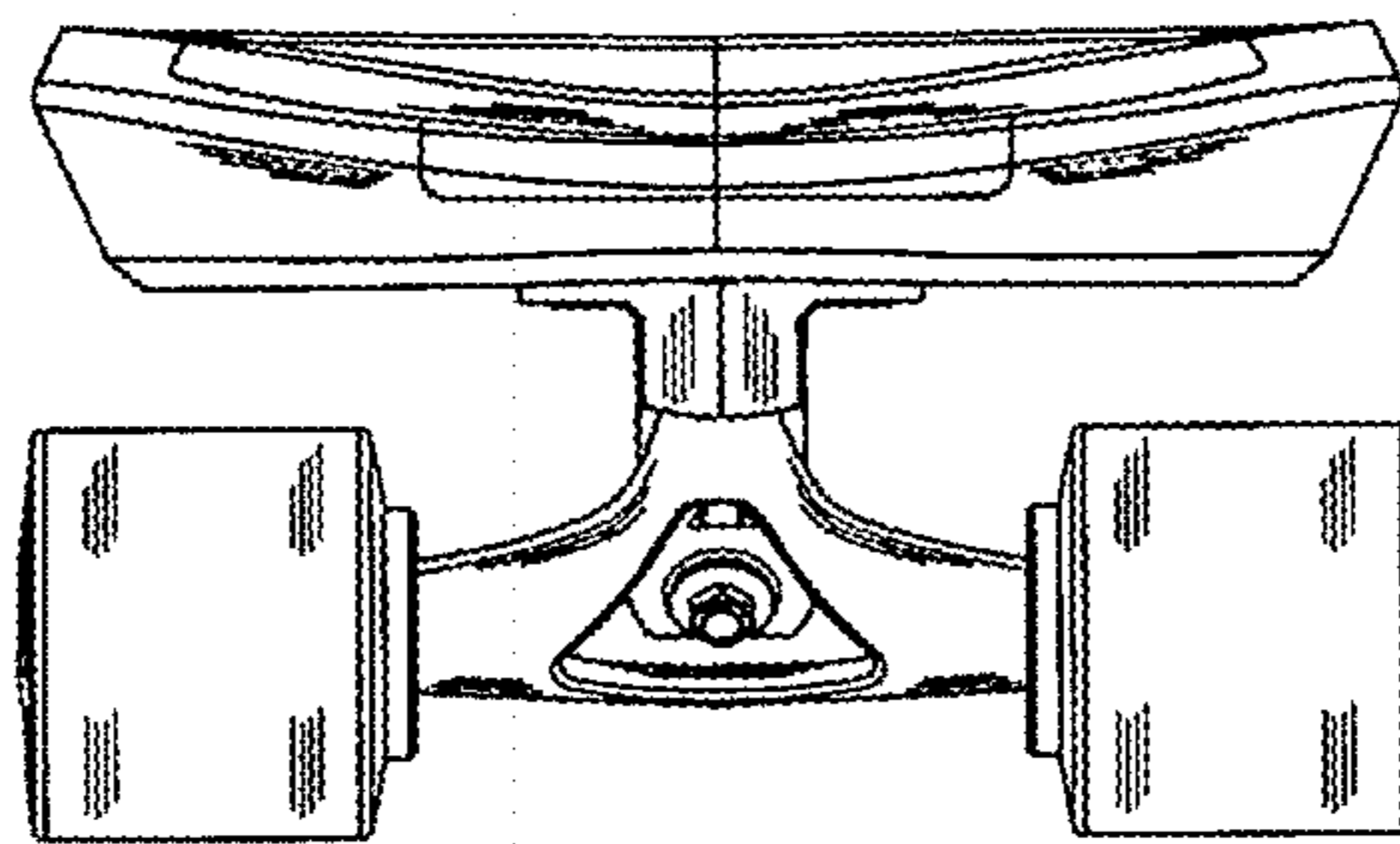


FIG.4

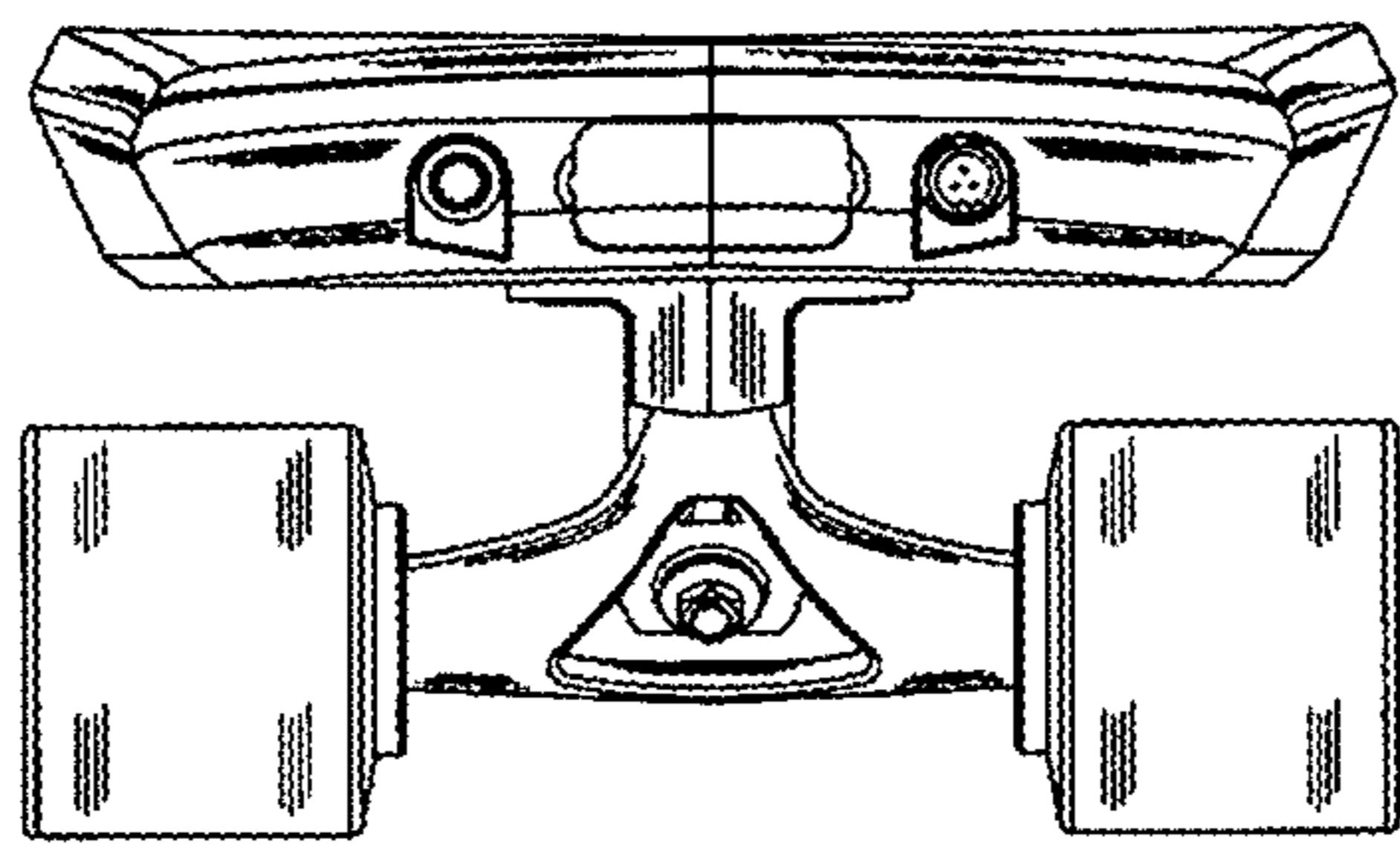


FIG.5

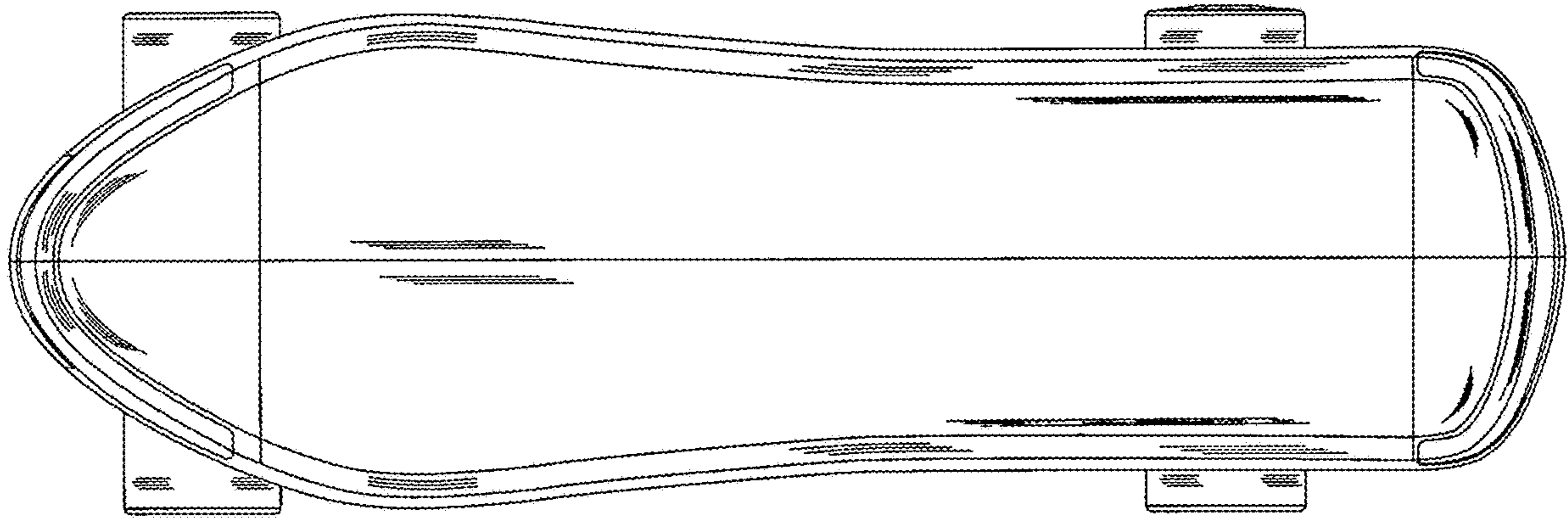


FIG.6

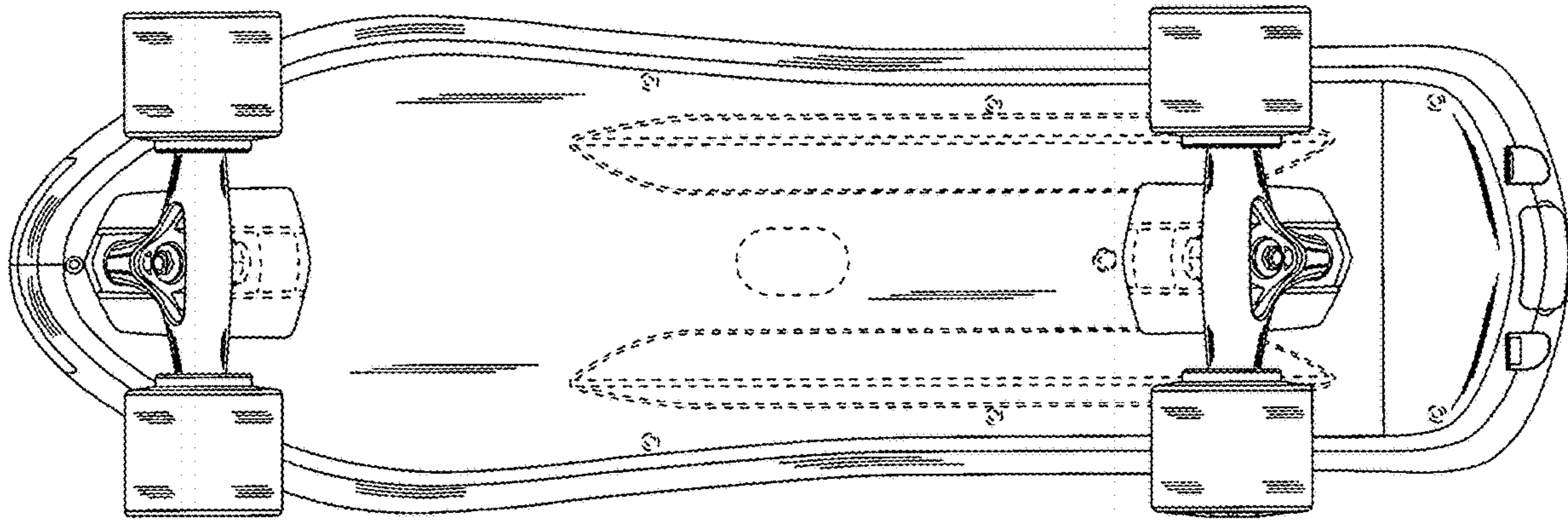


FIG. 7