



US00D875862S

(12) **United States Design Patent**
Foster

(10) **Patent No.:** **US D875,862 S**

(45) **Date of Patent:** **** Feb. 18, 2020**

(54) **GOLF CLUB HEAD**

(71) Applicant: **Callaway Golf Company**, Carlsbad,
CA (US)

(72) Inventor: **Philip G. Foster**, San Marcos, CA (US)

(73) Assignee: **Callaway Golf Company**, Carlsbad,
CA (US)

(**) Term: **15 Years**

(21) Appl. No.: **29/669,271**

(22) Filed: **Nov. 7, 2018**

(51) **LOC (12) Cl.** **21-02**

(52) **U.S. Cl.**
USPC **D21/759**

(58) **Field of Classification Search**
USPC D21/733, 752, 759
CPC A63B 53/00; A63B 53/04; A63B 53/0466;
A63B 2053/002; A63B 2053/0445; A63B
2053/0433; A63B 2053/0491; A63B
2053/0437; A63B 60/00; A63B 60/46
See application file for complete search history.

(56) **References Cited**

U.S. PATENT DOCUMENTS

D631,111 S *	1/2011	Bennett	D21/752
D656,210 S *	3/2012	Foster	D21/752
D665,863 S *	8/2012	Gonzalez	D21/759
D763,996 S *	8/2016	Kim	D21/759
D763,997 S *	8/2016	Tang	D21/759
D763,998 S *	8/2016	Tang	D21/759
D783,104 S *	4/2017	Oliveiro	D21/752
D801,463 S *	10/2017	Kim	D21/759
D801,464 S *	10/2017	Kim	D21/759

D801,465 S *	10/2017	Tang	D21/759
D812,168 S *	3/2018	Kim	D21/759
D812,702 S *	3/2018	Tang	D21/752
D812,703 S *	3/2018	Tang	D21/752
D813,328 S *	3/2018	Tang	D21/752
D813,329 S *	3/2018	Tang	D21/752
D813,330 S *	3/2018	Tang	D21/759
D813,331 S *	3/2018	Tang	D21/759
D814,584 S *	4/2018	Tang	D21/759
D832,383 S *	10/2018	Foster	D21/759
D832,955 S *	11/2018	Foster	D21/759
D832,956 S *	11/2018	Foster	D21/759
D832,958 S *	11/2018	Foster	D21/759
D842,954 S *	3/2019	Foster	D21/759

* cited by examiner

Primary Examiner — Mitchell I. Siegel

(74) *Attorney, Agent, or Firm* — Rebecca Hanovice;
Michael Catania; Sonia Lari

(57) **CLAIM**

The ornamental design for a golf club head, as shown and described.

DESCRIPTION

FIG. 1 is a rear perspective view of the golf club head claimed herein;

FIG. 2 is a front elevational view thereof;

FIG. 3 is a rear elevational view thereof;

FIG. 4 is a left side elevational view thereof;

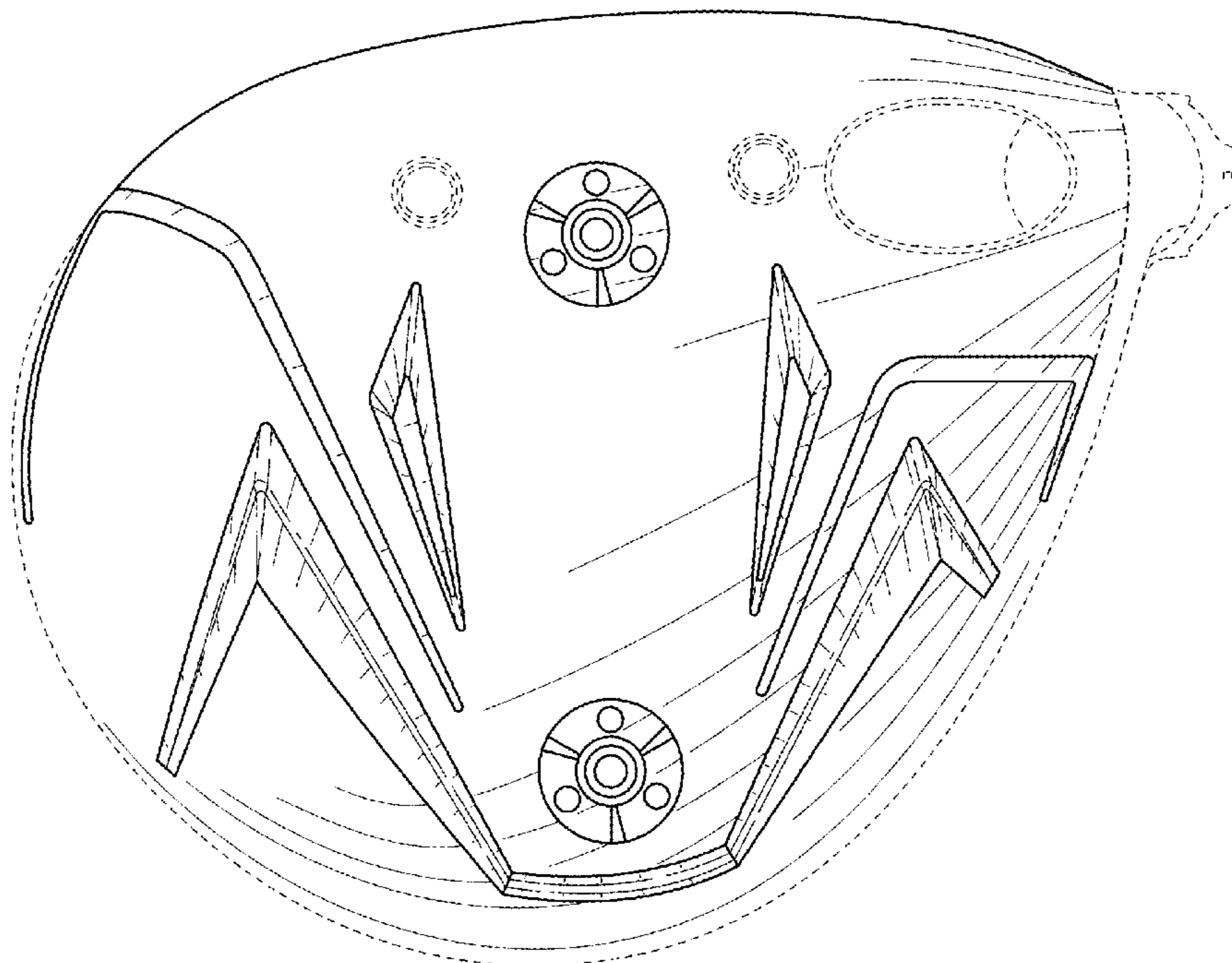
FIG. 5 is a right side elevational view thereof;

FIG. 6 is a top plan view thereof; and,

FIG. 7 is a bottom plan view thereof.

The broken lines shown on the drawings are included for the purpose of illustrating unclaimed subject matter and forms no part of the claimed design.

1 Claim, 5 Drawing Sheets



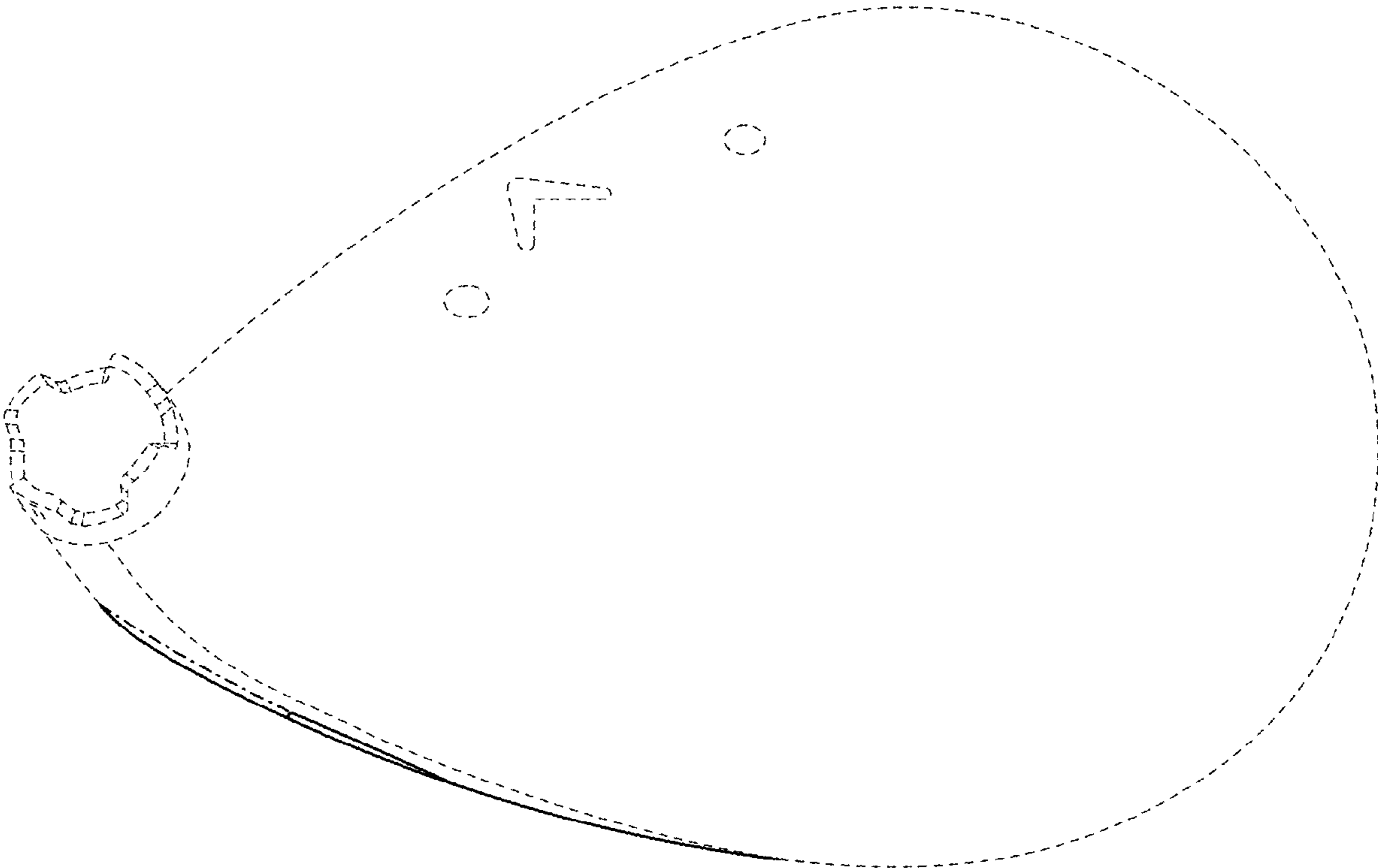


FIG. 1

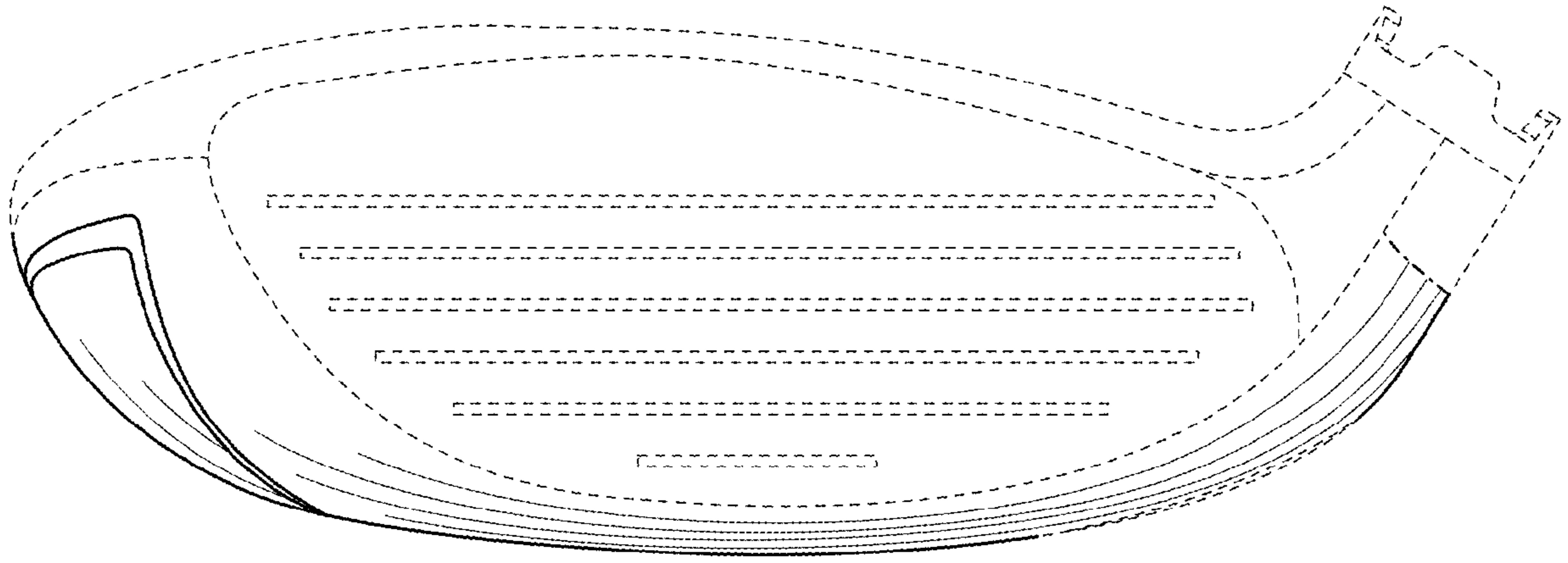


FIG. 2

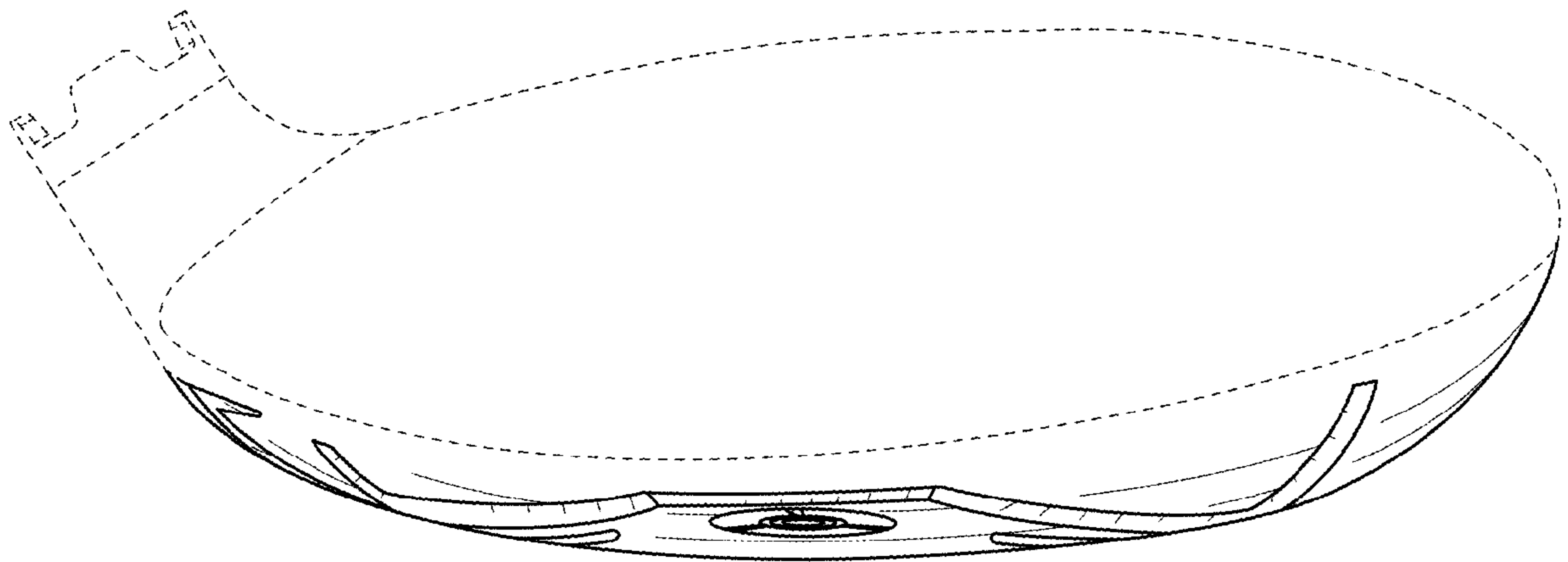


FIG. 3

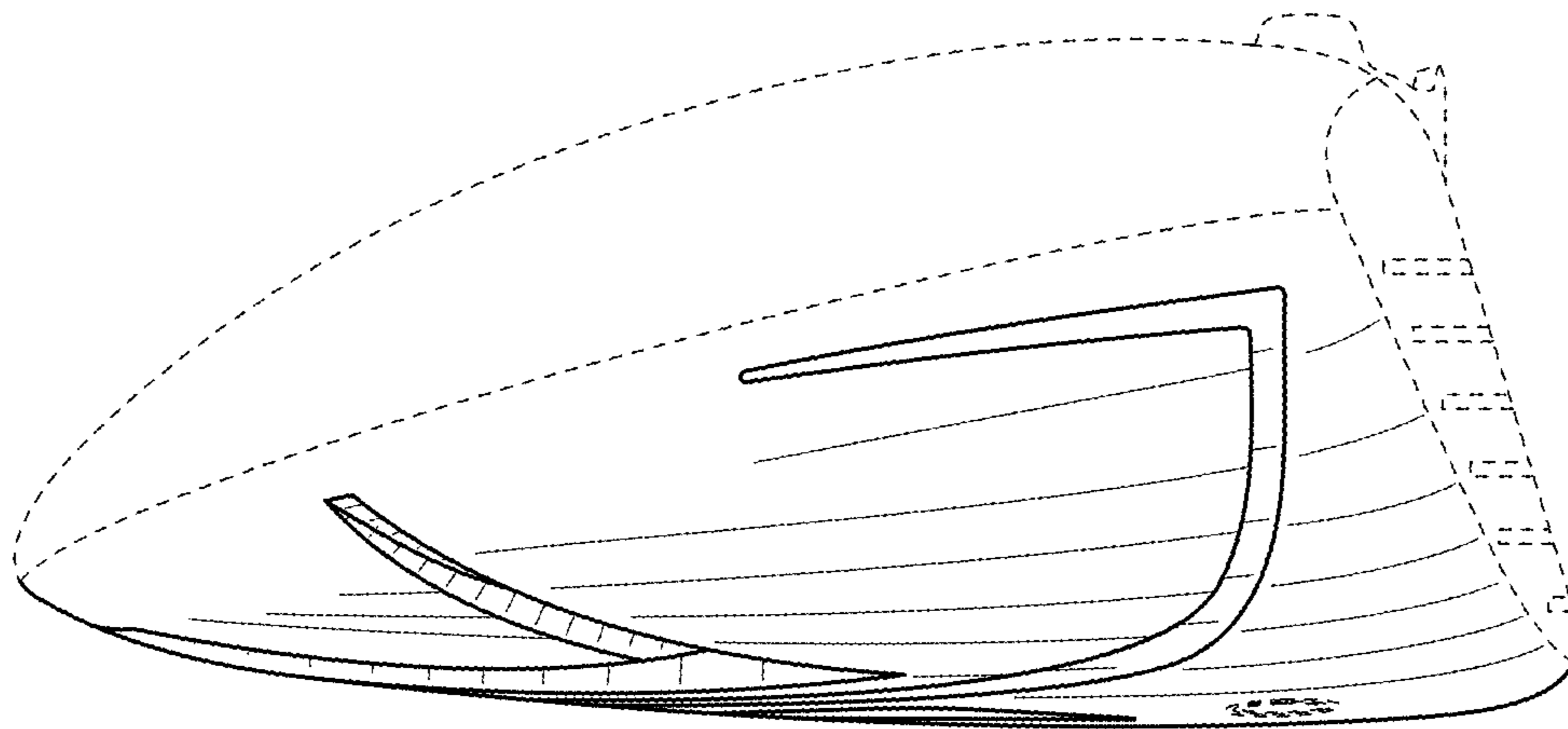


FIG. 4

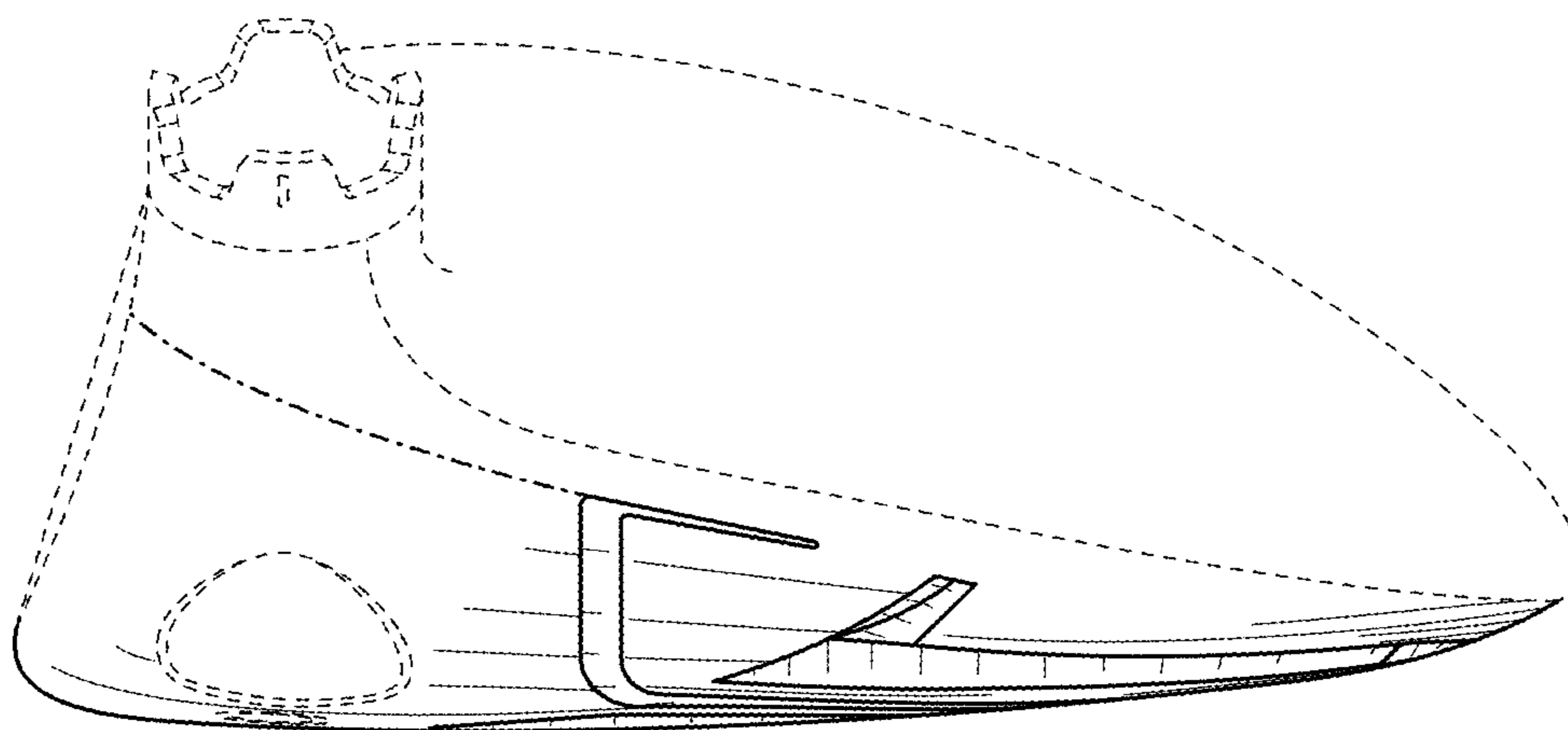


FIG. 5

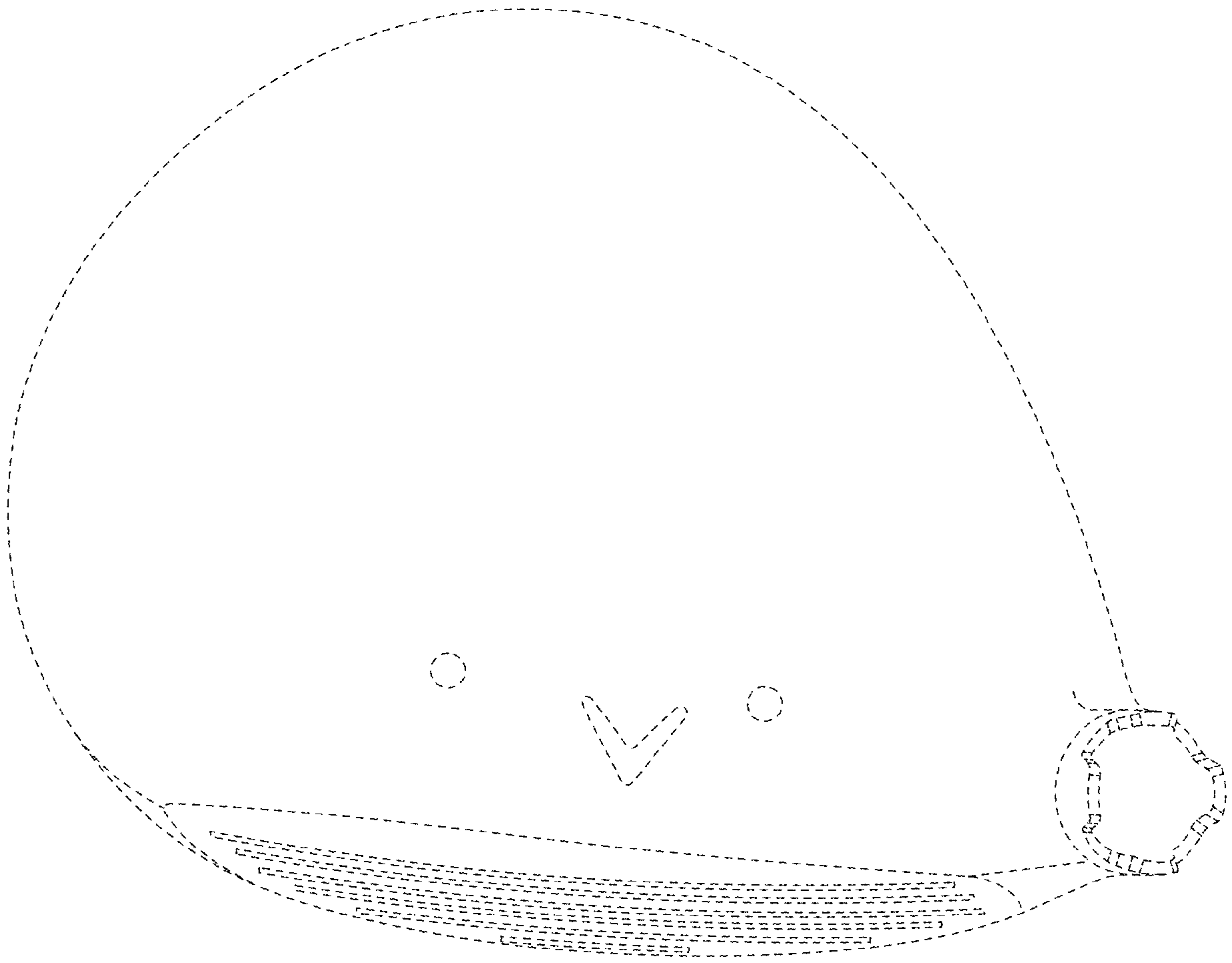


FIG. 6

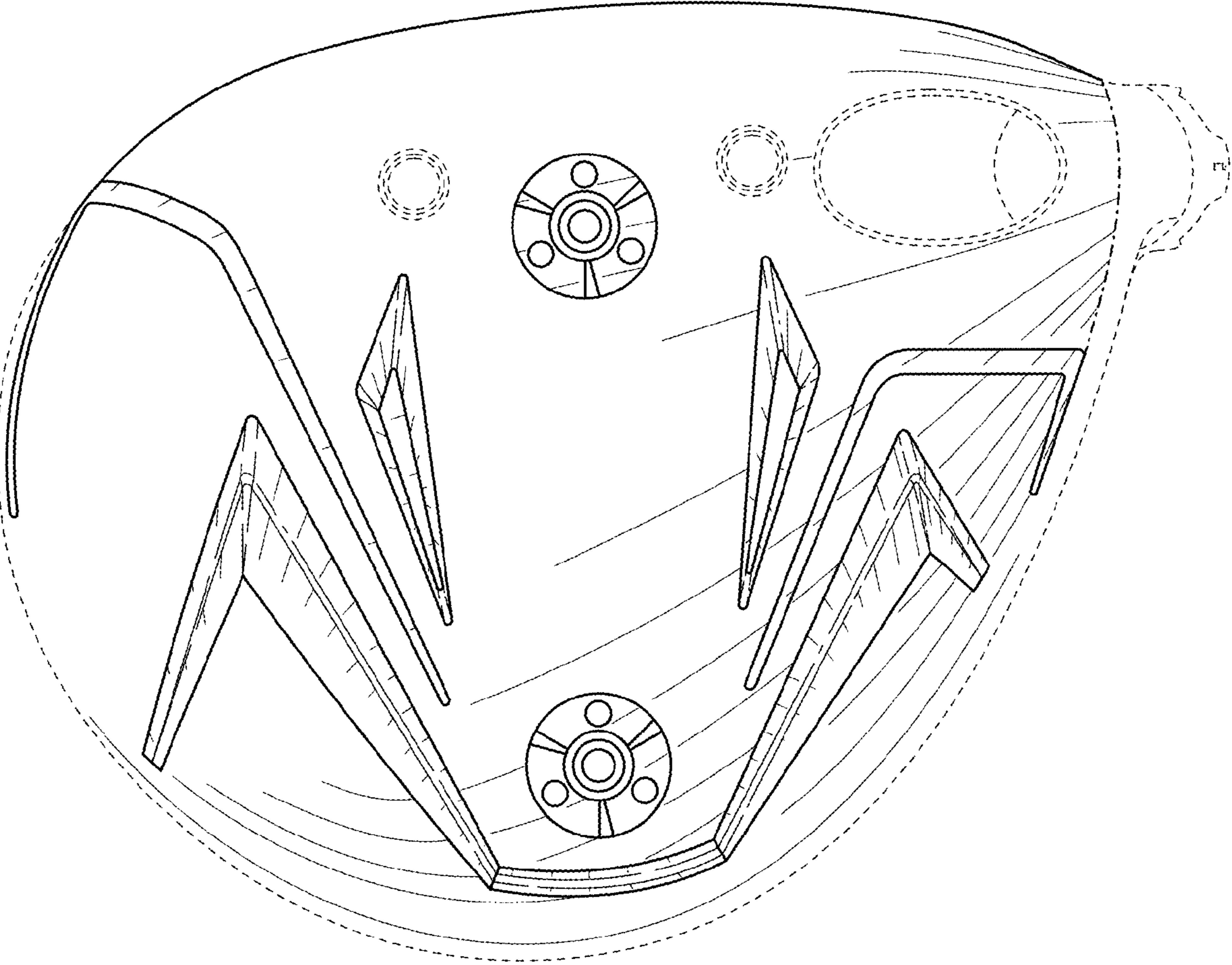


FIG. 7