



US00D875859S

(12) **United States Design Patent** (10) **Patent No.:** **US D875,859 S**  
**Foster** (45) **Date of Patent:** **\*\* Feb. 18, 2020**

(54) **GOLF CLUB HEAD**

(71) Applicant: **Callaway Golf Company**, Carlsbad, CA (US)

(72) Inventor: **Philip G. Foster**, Vista, CA (US)

(73) Assignee: **Callaway Golf Company**, Carlsbad, CA (US)

(\*\*) Term: **15 Years**

(21) Appl. No.: **29/669,045**

(22) Filed: **Nov. 5, 2018**

**Related U.S. Application Data**

(62) Division of application No. 29/619,347, filed on Sep. 28, 2017, now Pat. No. Des. 842,954.

(51) **LOC (12) Cl.** ..... **21-02**

(52) **U.S. Cl.**  
USPC ..... **D21/759**

(58) **Field of Classification Search**  
USPC ..... D21/733, 752, 759  
CPC ..... A63B 53/00; A63B 53/04; A63B 53/0466;  
A63B 2053/002; A63B 2053/0445; A63B  
2053/0433; A63B 2053/0491; A63B  
2053/0437; A63B 60/00; A63B 60/46  
See application file for complete search history.

(56) **References Cited**

**U.S. PATENT DOCUMENTS**

D356,843 S *	3/1995	Schmidt	.....	D21/733
D364,906 S *	12/1995	Schmidt	.....	D21/752
D388,142 S *	12/1997	Miller	.....	D21/733
D388,483 S *	12/1997	Mahaffey	.....	D21/752
D389,885 S *	1/1998	Mahaffey	.....	D21/752
D390,294 S *	2/1998	Burrows	.....	D21/752
D390,295 S *	2/1998	Burrows	.....	D21/752
D392,353 S *	3/1998	Willhite, Sr.	.....	D21/752

D392,354 S *	3/1998	Burrows	.....	D21/752
D393,500 S *	4/1998	Mahaffey	.....	D21/752
D394,687 S *	5/1998	Mahaffey	.....	D21/733
D397,749 S *	9/1998	Burrows	.....	D21/733
D400,625 S *	11/1998	Kubica	.....	D21/733
D405,488 S *	2/1999	Burrows	.....	D21/733
D414,231 S *	9/1999	Mahaffey	.....	D21/733
D470,552 S *	2/2003	Cleveland	.....	D21/733
D470,553 S *	2/2003	Helmstetter	.....	D21/733
D478,948 S *	8/2003	Bergling-Olson	.....	D21/733
D481,773 S *	11/2003	Aguinaldo	.....	D21/733
D501,669 S *	2/2005	Burrows	.....	D21/752
D510,395 S *	10/2005	Miraflor	.....	D21/759
D560,737 S *	1/2008	Roberts	.....	D21/759
D565,683 S *	4/2008	Homma	.....	D21/759
D565,684 S *	4/2008	Homma	.....	D21/759
D565,685 S *	4/2008	Homma	.....	D21/759
D565,686 S *	4/2008	Homma	.....	D21/759
D580,505 S *	11/2008	Solheim	.....	D21/759

(Continued)

*Primary Examiner* — Mitchell I. Siegel

(74) *Attorney, Agent, or Firm* — Rebecca Hanovice;  
Michael Catania; Sonia Lari

(57) **CLAIM**

The ornamental design for a golf club head, as shown and described.

**DESCRIPTION**

FIG. 1 is a top perspective view of the golf club head claimed herein;

FIG. 2 is a front elevational view thereof;

FIG. 3 is a rear elevational view thereof;

FIG. 4 is a left side elevational view thereof;

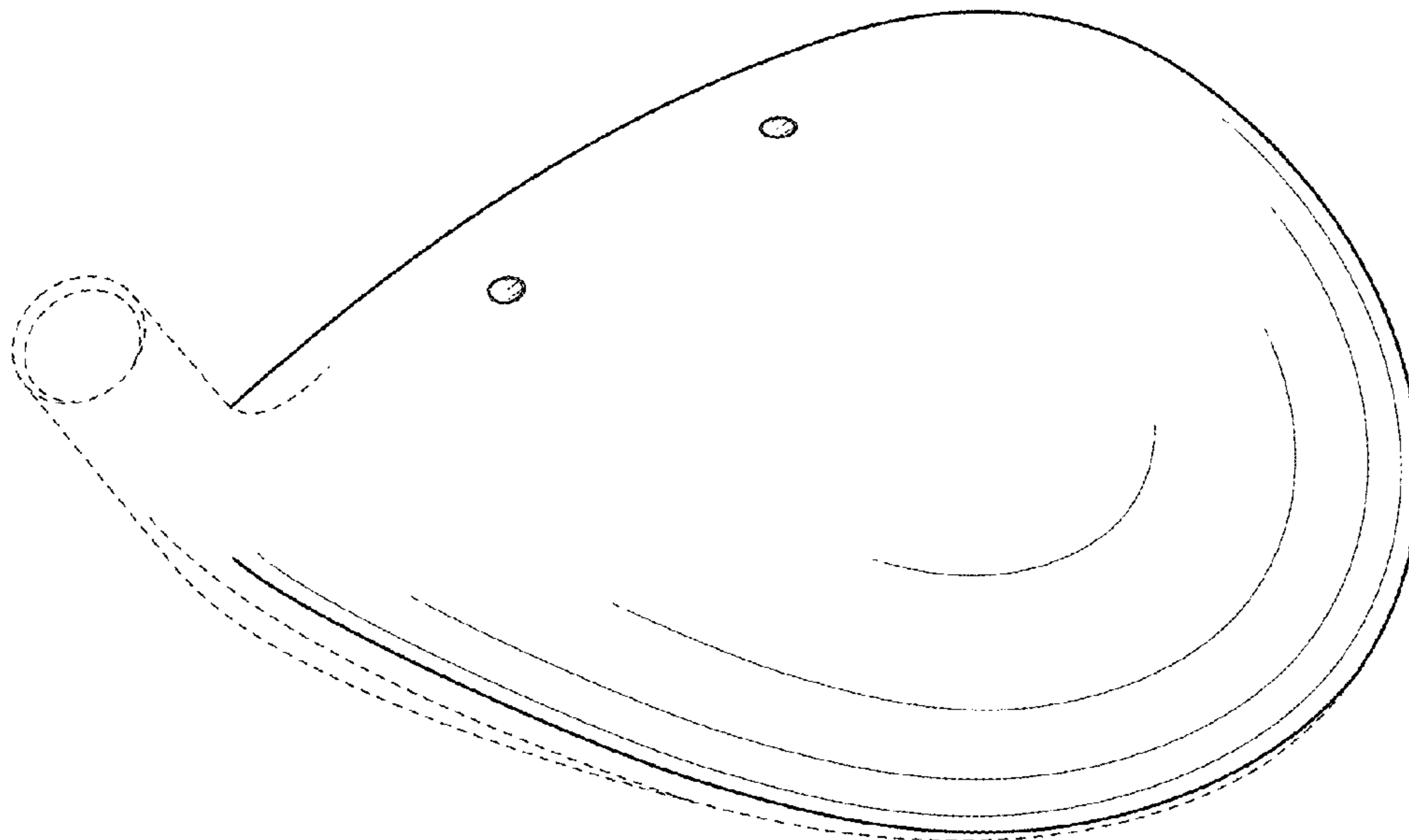
FIG. 5 is a right side elevational view thereof;

FIG. 6 is a top plan view thereof; and,

FIG. 7 is a bottom plan view thereof.

The broken lines shown on the drawings are included for the purpose of illustrating unclaimed subject matter and forms no part of the claimed design.

**1 Claim, 4 Drawing Sheets**



(56)

**References Cited**

U.S. PATENT DOCUMENTS

D592,723	S	*	5/2009	Chau	.....	D21/759
D594,519	S	*	6/2009	Chau	.....	D21/752
D628,257	S	*	11/2010	Albertsen	.....	D21/759
D630,278	S	*	1/2011	Albertsen	.....	D21/759
D630,696	S	*	1/2011	Albertsen	.....	D21/759
D631,119	S	*	1/2011	Albertsen	.....	D21/759
D773,577	S	*	12/2016	Foster	.....	D21/759
D791,258	S	*	7/2017	Tang	.....	D21/759
D792,540	S	*	7/2017	Kim	.....	D21/759
D812,702	S	*	3/2018	Tang	.....	D21/752
D812,703	S	*	3/2018	Tang	.....	D21/752
D813,327	S	*	3/2018	Kim	.....	D21/752
D813,328	S	*	3/2018	Tang	.....	D21/752
D813,330	S	*	3/2018	Tang	.....	D21/759
D813,331	S	*	3/2018	Tang	.....	D21/759
D815,225	S	*	4/2018	Tang	.....	D21/759
D842,954	S	*	3/2019	Foster	.....	D21/759

\* cited by examiner

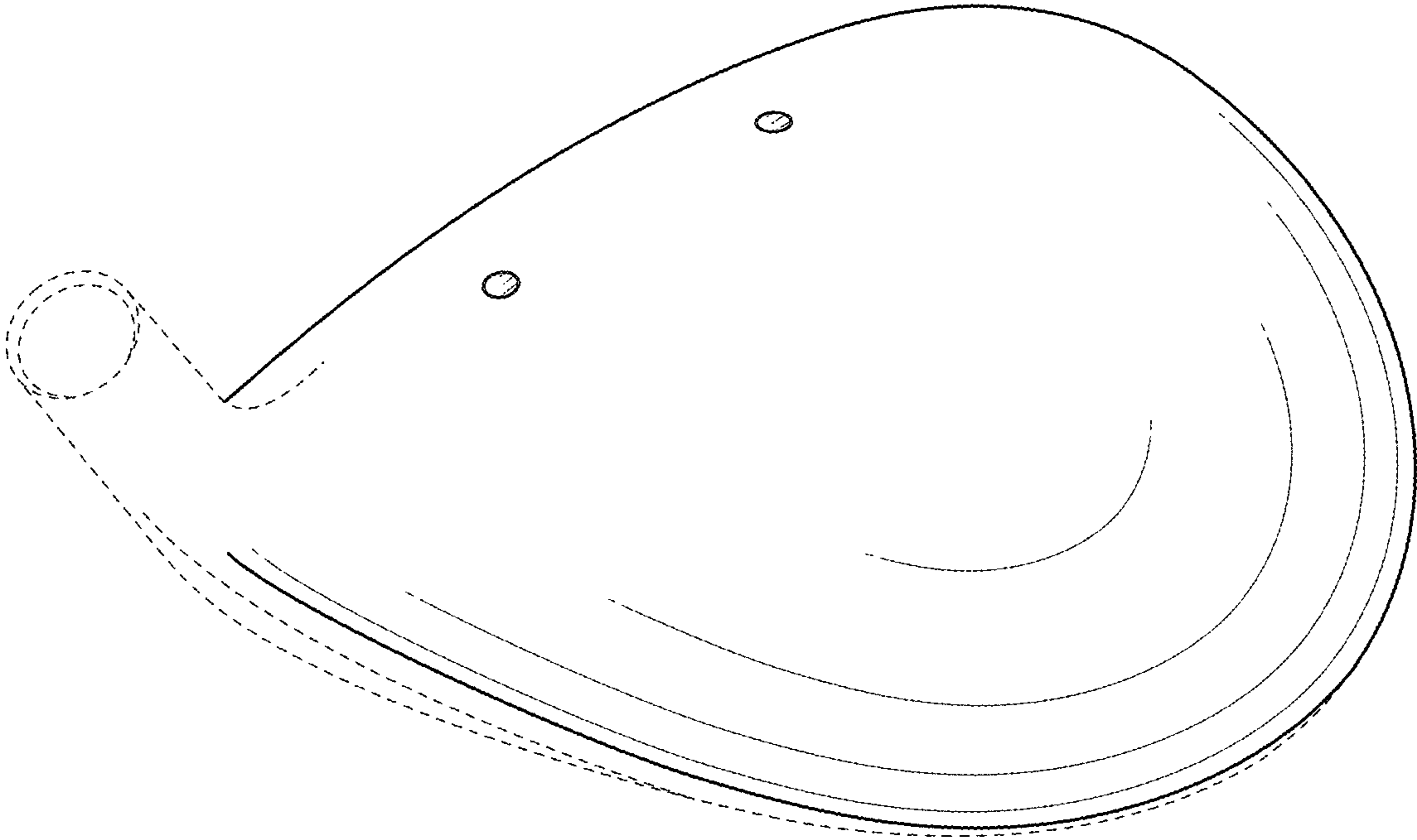


FIG. 1

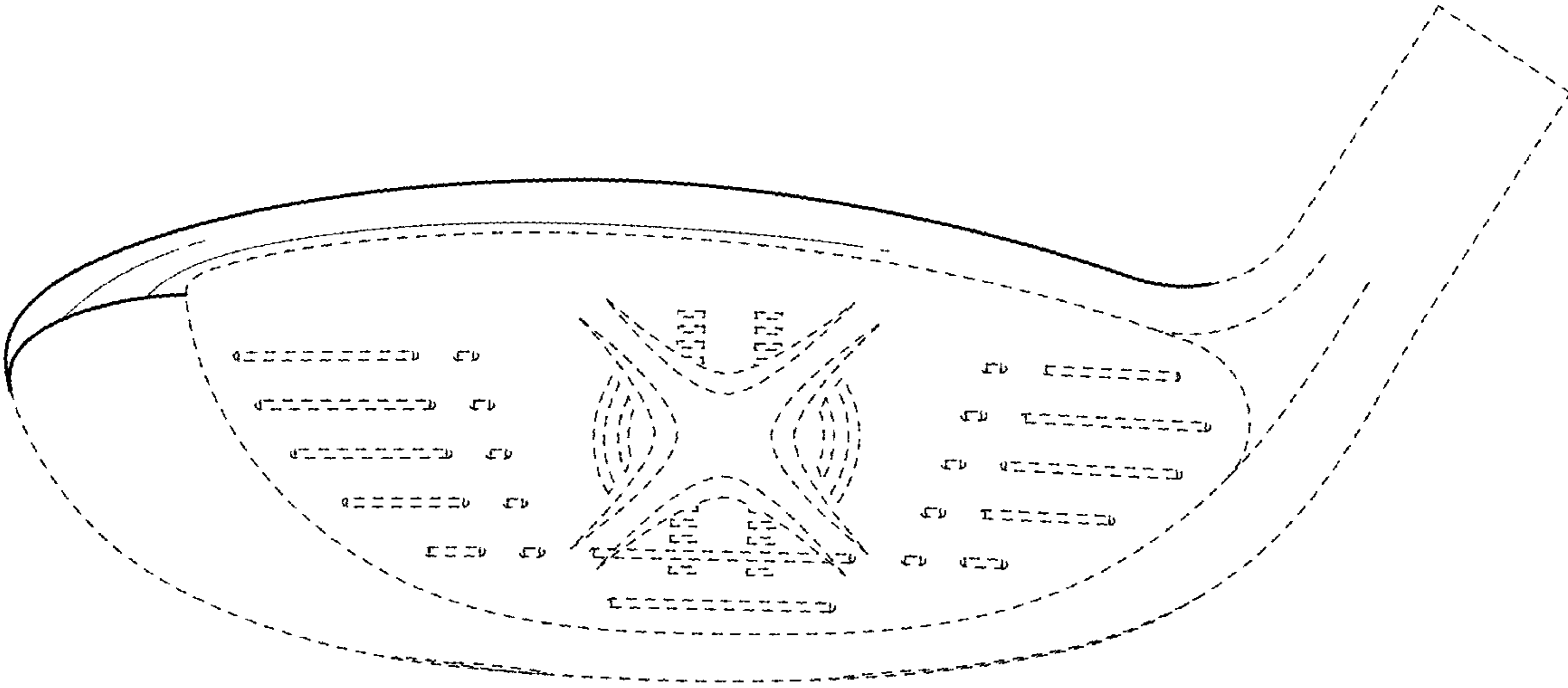


FIG. 2

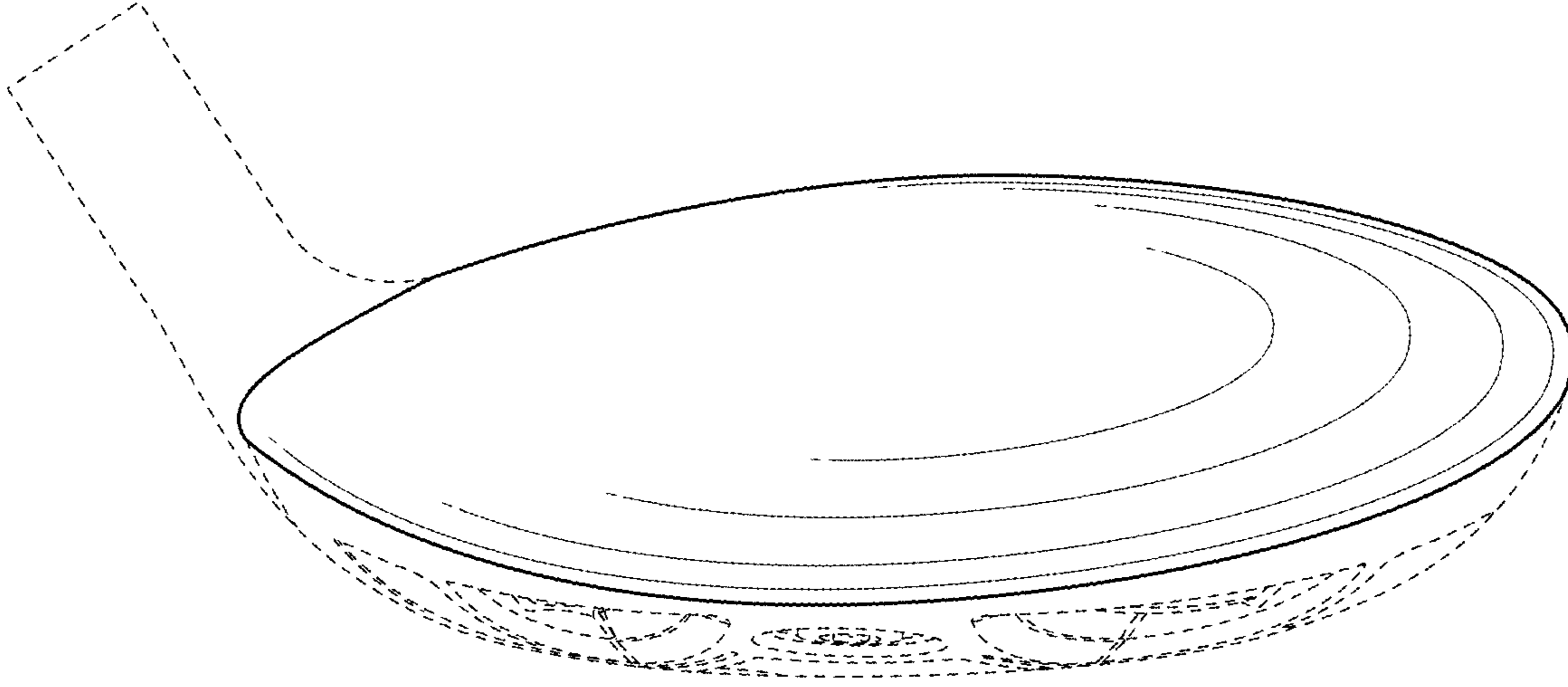


FIG. 3

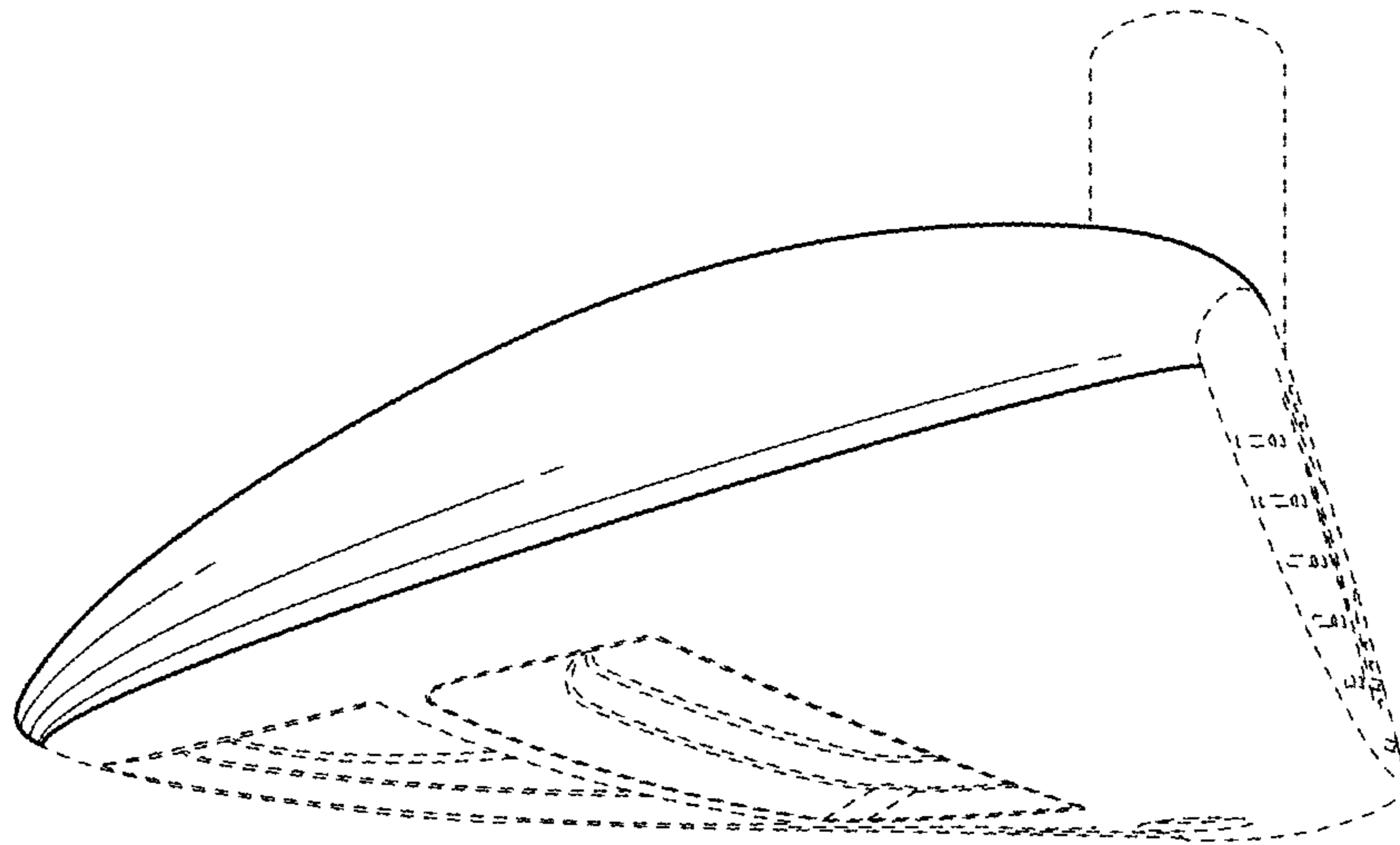


FIG. 4

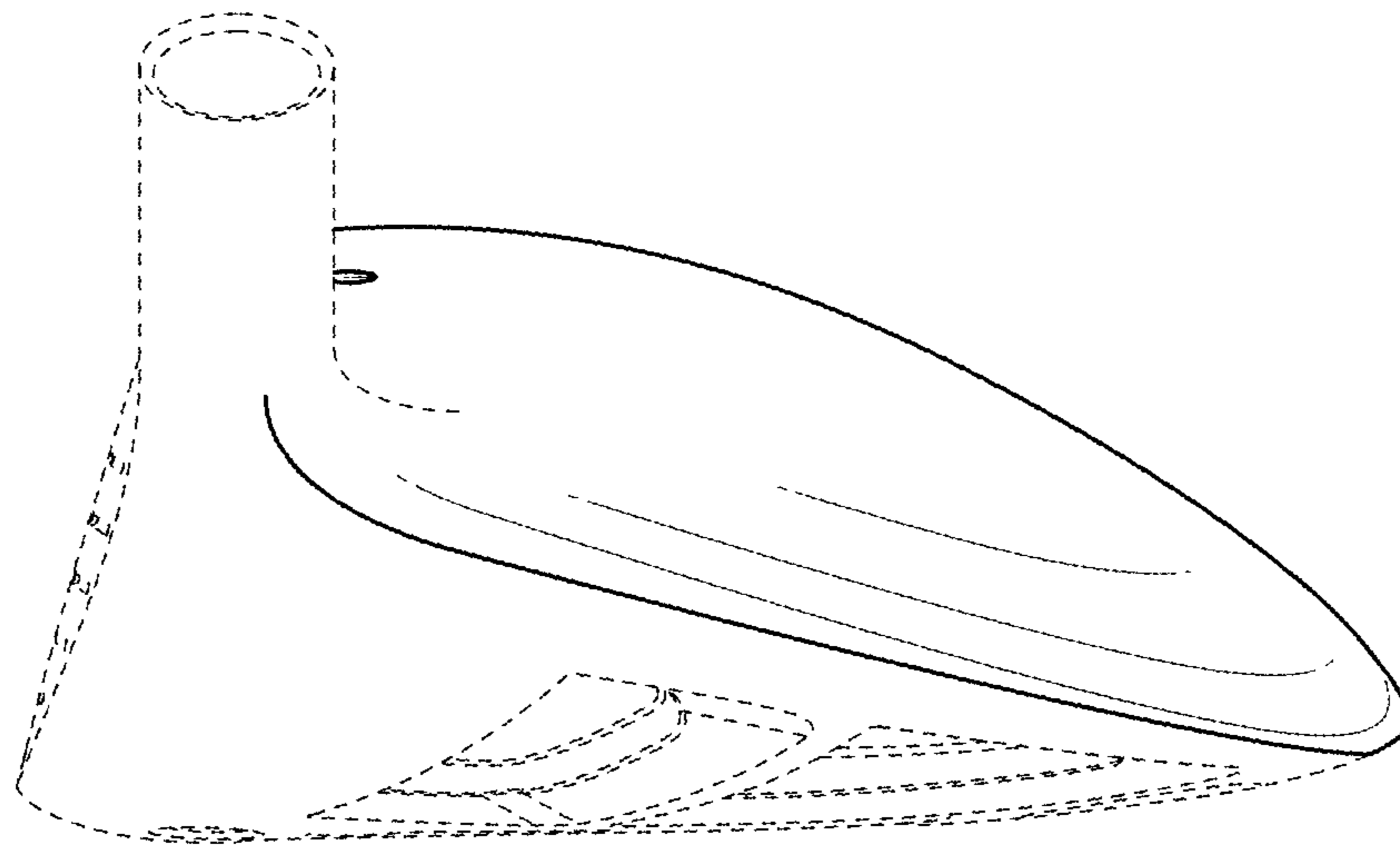


FIG. 5

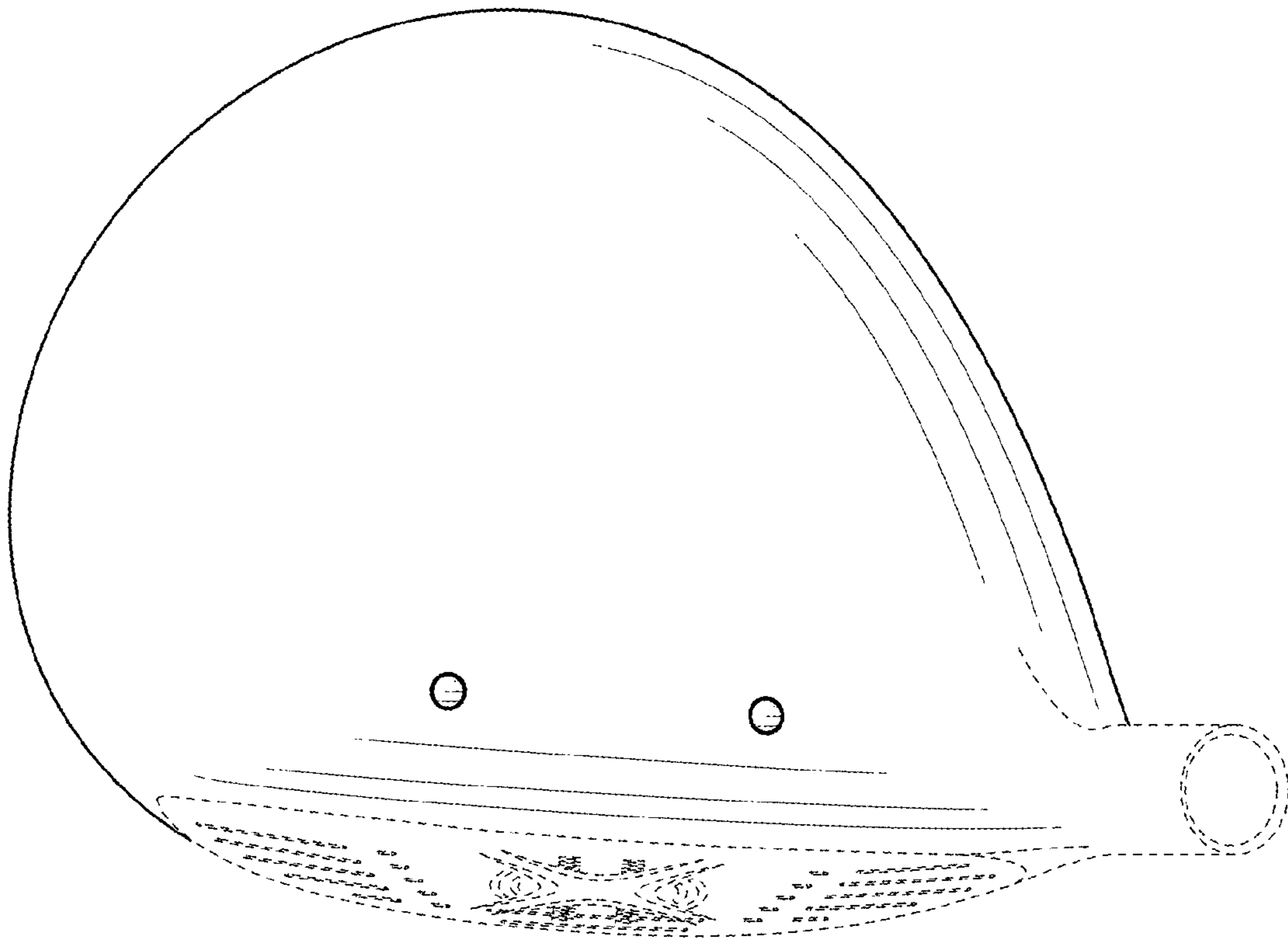


FIG. 6

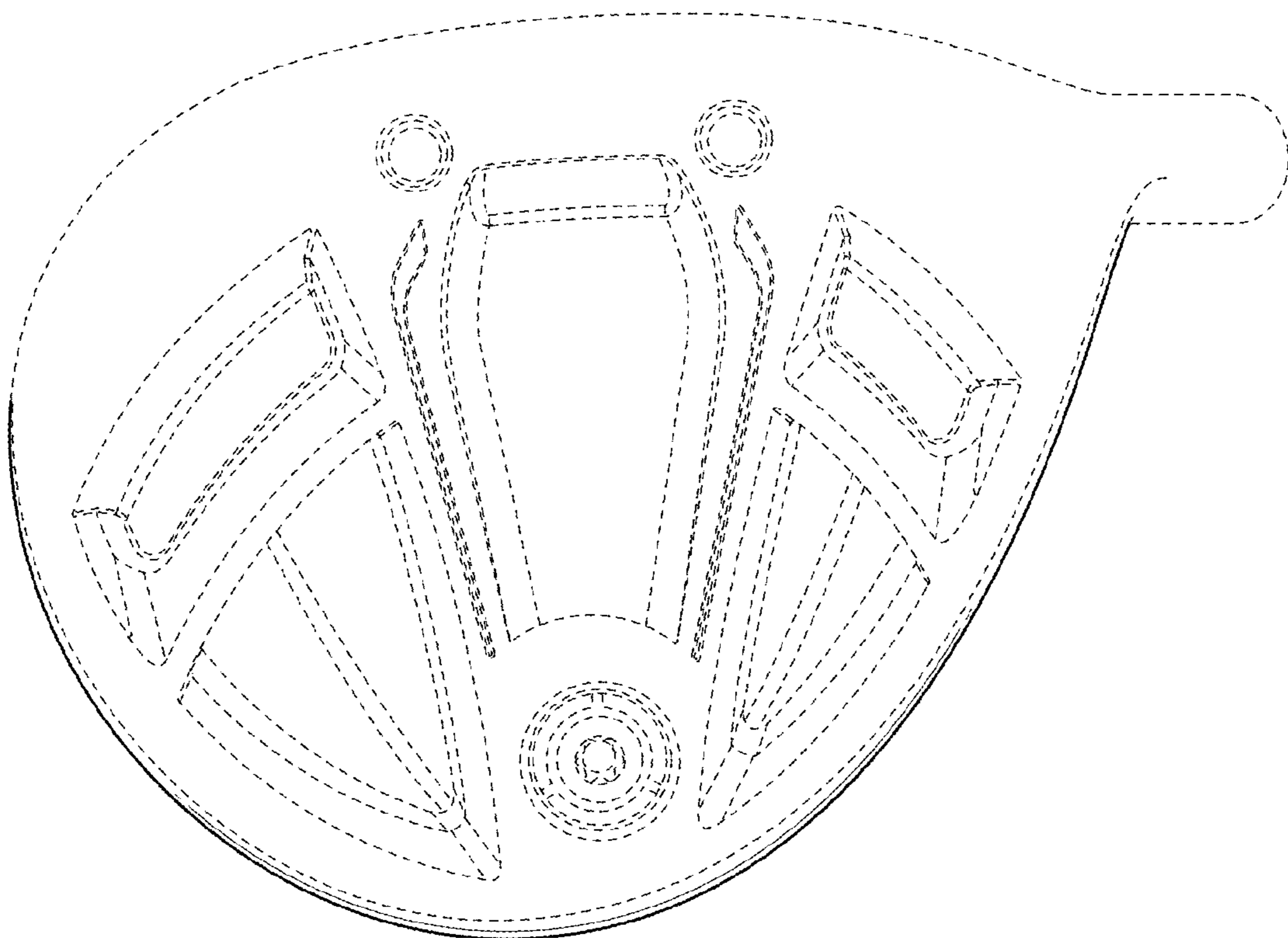


FIG. 7