



US00D875857S

(12) **United States Design Patent**
Leadbetter

(10) **Patent No.:** **US D875,857 S**
(45) **Date of Patent:** **** Feb. 18, 2020**

(54) **SET OF GRIPS FOR AN EXERCISE BAR**

DESCRIPTION

- (71) Applicant: **New Growth Fitness LLC**, Lee's Summit, MO (US)
- (72) Inventor: **Matt Christopher Leadbetter**, Lee's Summit, MO (US)
- (73) Assignee: **New Growth Fitness LLC**, Lee's Summit, MO (US)
- (**) Term: **15 Years**
- (21) Appl. No.: **29/693,363**
- (22) Filed: **Jun. 1, 2019**
- (51) **LOC (12) Cl.** **21-02**
- (52) **U.S. Cl.**
USPC **D21/694**
- (58) **Field of Classification Search**
USPC D8/107, 83; D21/694, 684; D7/509
CPC ... A63B 21/4017; A63B 21/072; A63B 60/08;
A63B 60/10; A63B 21/00185; A63B
60/12; A63B 60/14; B62K 21/26; Y10T
74/20828
See application file for complete search history.

FIG. 1 is a perspective view looking upwardly at the front, bottom and right side of a set of grips for an exercise bar; FIG. 2 is a front elevation thereof; FIG. 3 is a rear elevation thereof; FIG. 4 is a left side elevation of the left hand grip of the set of grips for an exercise bar; FIG. 5 is a right side elevation of the left hand grip; FIG. 6 is a left side elevation of the right hand grip of the set of grips for an exercise bar; FIG. 7 is a right side elevation of the right hand grip; FIG. 8 is a top view of the set of grips for an exercise bar; FIG. 9 is a bottom view of the set of grips for an exercise bar; FIG. 10 is a front view of the set of grips for an exercise bar in position on an exercise bar, which is shown in broken lines to illustrate the environment of the claimed design and forms no part thereof; FIG. 11 is a perspective view looking upwardly at the front, bottom and right side of a second embodiment of a set of grips for an exercise bar; FIG. 12 is a front elevation thereof; FIG. 13 is a rear elevation thereof; FIG. 14 is a left side elevation of the left hand grip of the set of grips for an exercise bar; FIG. 15 is a right side elevation of the left hand grip; FIG. 16 is a left side elevation of the right hand grip of the set of grips for an exercise bar; FIG. 17 is a right side elevation of the right hand grip; FIG. 18 is a top view of the set of grips for an exercise bar; FIG. 19 is a bottom view of the set of grips for an exercise bar; and, FIG. 20 is a front view of the set of grips for an exercise bar in position on an exercise bar, which is shown in broken lines to illustrate the environment of the claimed design and forms no part thereof.

The broken lines in the drawings illustrate environmental structure which forms no part of the claimed design.

(56) **References Cited**

U.S. PATENT DOCUMENTS

- 3,269,399 A 8/1966 Smith
 - 4,867,444 A 9/1989 Castillo
- (Continued)

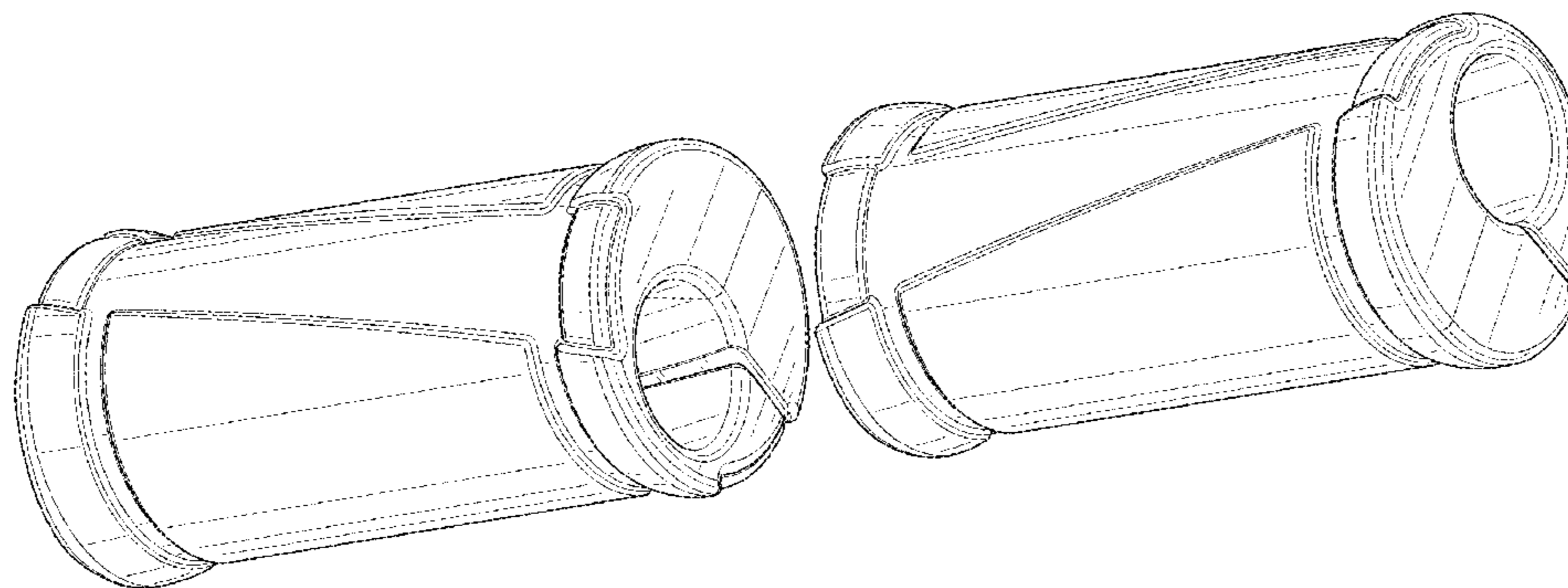
Primary Examiner — Ryan Harvey

(74) *Attorney, Agent, or Firm* — Bradley IP, LLC; Sean T. Bradley

(57) **CLAIM**

The ornamental design for set of grips for an exercise bar, as shown and described.

1 Claim, 14 Drawing Sheets



(56)

References Cited

U.S. PATENT DOCUMENTS

| | | | | |
|--------------|-----|---------|----------------|---------|
| 4,964,192 | A | 10/1990 | Marui | |
| 5,280,735 | A | 1/1994 | Kuipers et al. | |
| 5,681,243 | A | 10/1997 | Criss | |
| 5,819,594 | A | 10/1998 | Sjovall | |
| 6,213,902 | B1 | 4/2001 | Hagey et al. | |
| 6,224,518 | B1 | 5/2001 | Weiss et al. | |
| 6,261,141 | B1 | 7/2001 | Heap | |
| 6,328,617 | B1 | 12/2001 | Gunnell | |
| 6,537,117 | B1 | 3/2003 | Larson et al. | |
| 6,835,169 | B2 | 12/2004 | Tamaribuchi | |
| 7,048,637 | B2 | 5/2006 | McDonald | |
| D532,277 | S * | 11/2006 | Shih | D8/107 |
| D614,930 | S * | 5/2010 | Garcia | D8/83 |
| D616,950 | S | 6/2010 | Hersee et al. | |
| 7,736,284 | B1 | 6/2010 | Andrews | |
| D688,338 | S | 8/2013 | Bisson | |
| D698,219 | S * | 1/2014 | Lee | D8/107 |
| 8,622,854 | B2 | 1/2014 | Suzuki | |
| 8,641,586 | B2 | 2/2014 | Bremer et al. | |
| D704,001 | S * | 5/2014 | Lane | D7/509 |
| D721,773 | S | 1/2015 | Marooth | |
| D739,484 | S * | 9/2015 | Kaye | D21/694 |
| D778,378 | S * | 2/2017 | Schultz | D21/694 |
| 9,918,893 | B1 | 3/2018 | Wanderman | |
| 2002/0094223 | A1 | 7/2002 | Androphy | |
| 2004/0064913 | A1 | 4/2004 | Willat | |
| 2005/0039565 | A1 | 2/2005 | Minkow et al. | |
| 2005/0278897 | A1 | 12/2005 | Tillim | |
| 2009/0197742 | A1 | 8/2009 | Hartman | |
| 2009/0275447 | A1 | 11/2009 | Fishman et al. | |

* cited by examiner

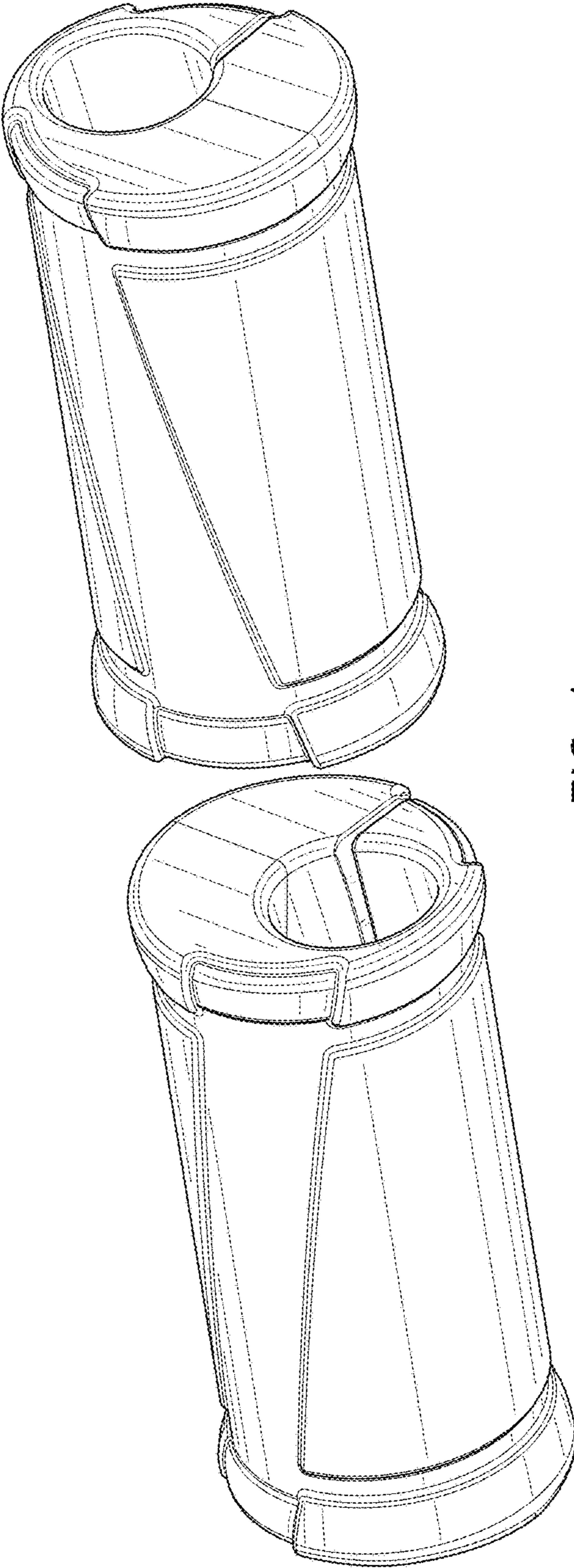


FIG. 1

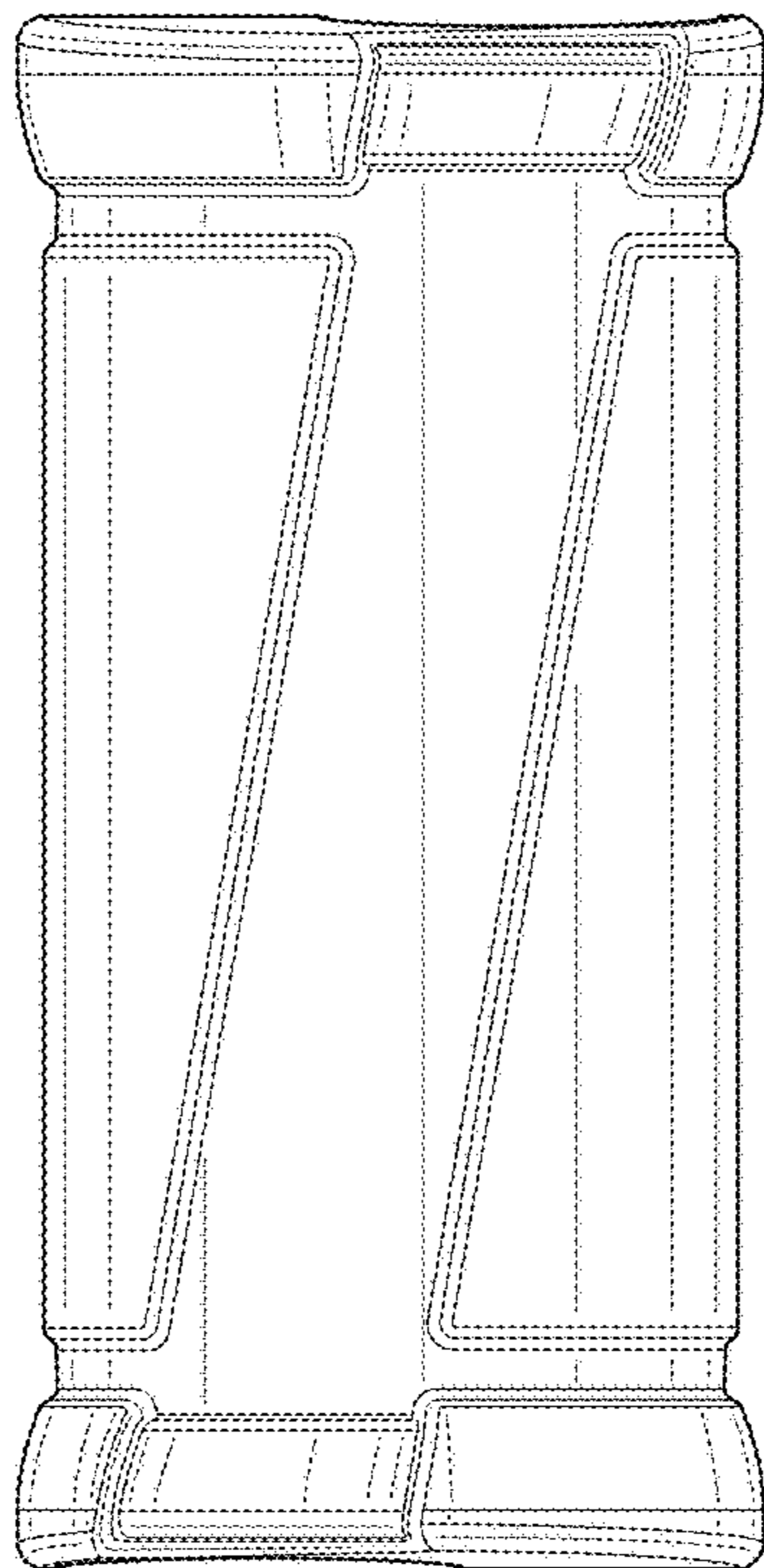
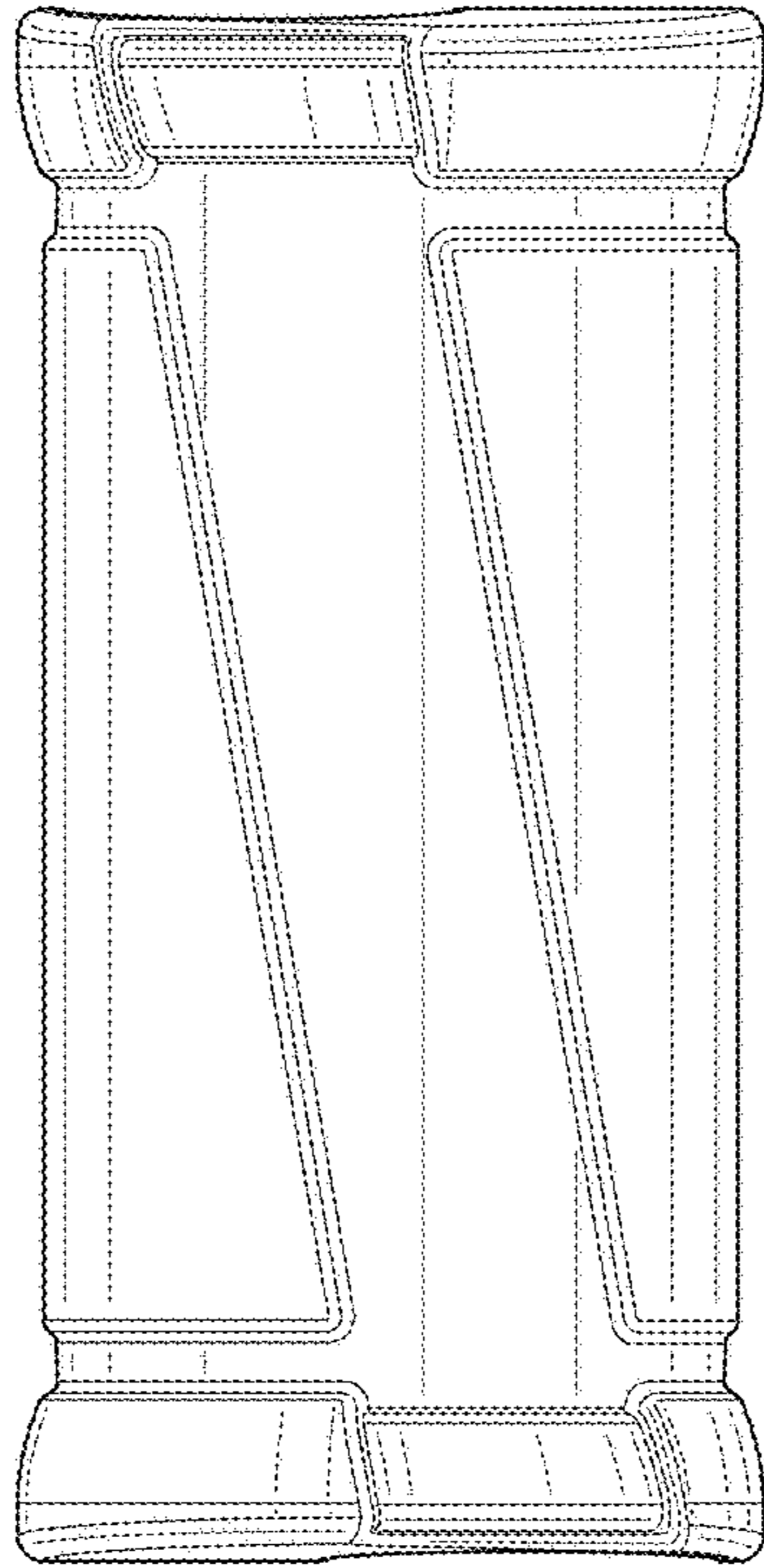


FIG. 2

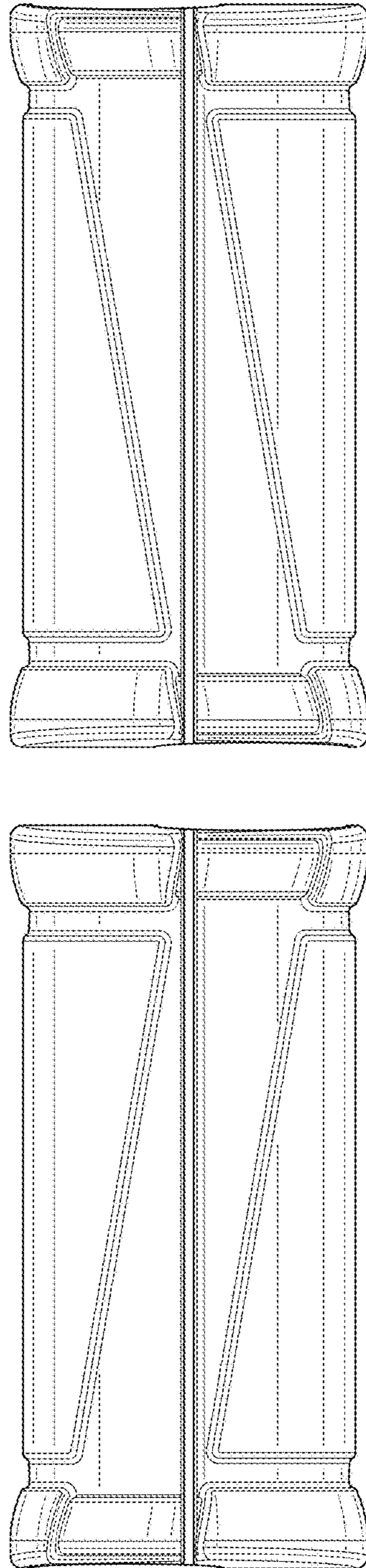


FIG. 3

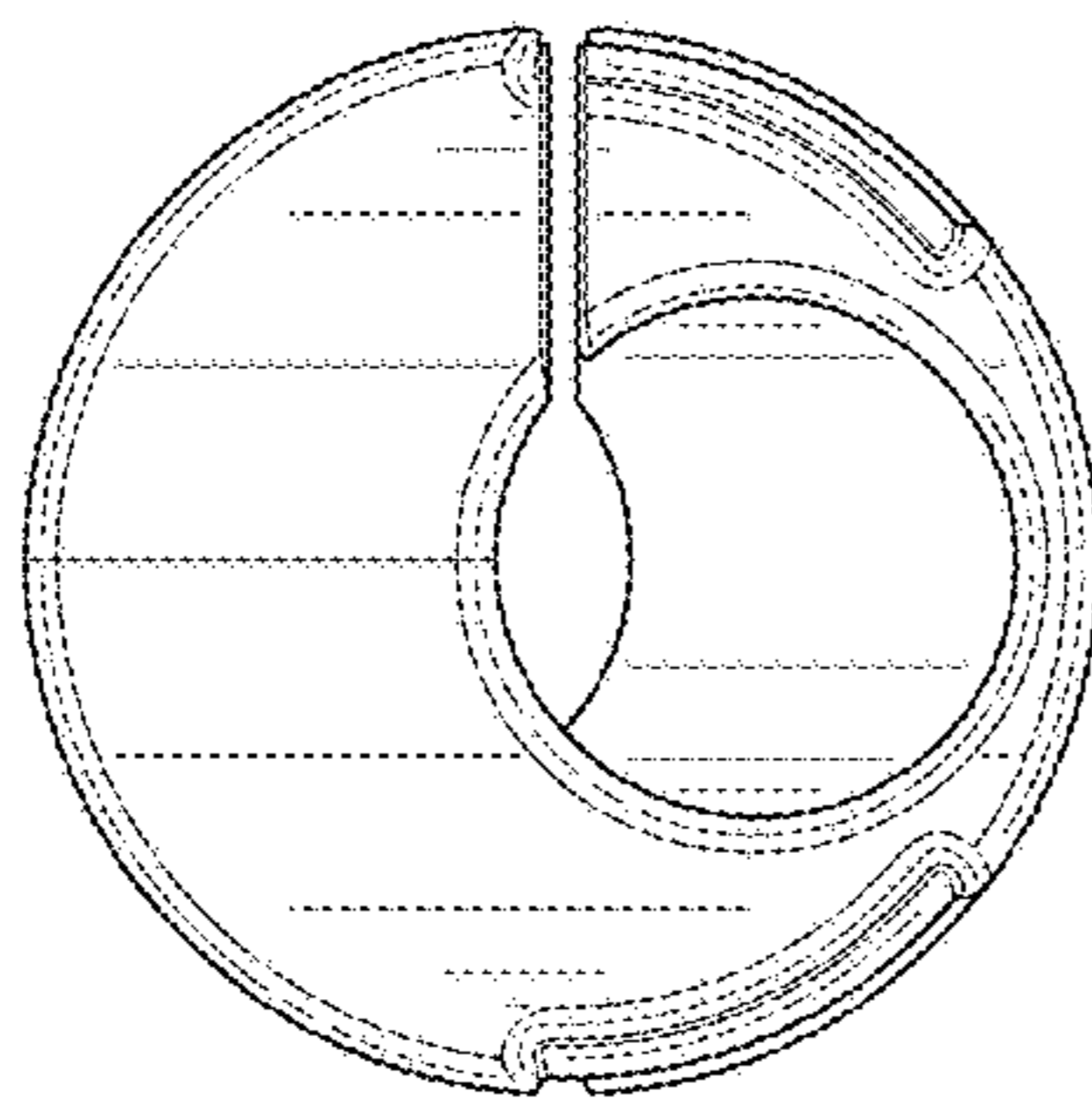


FIG. 5

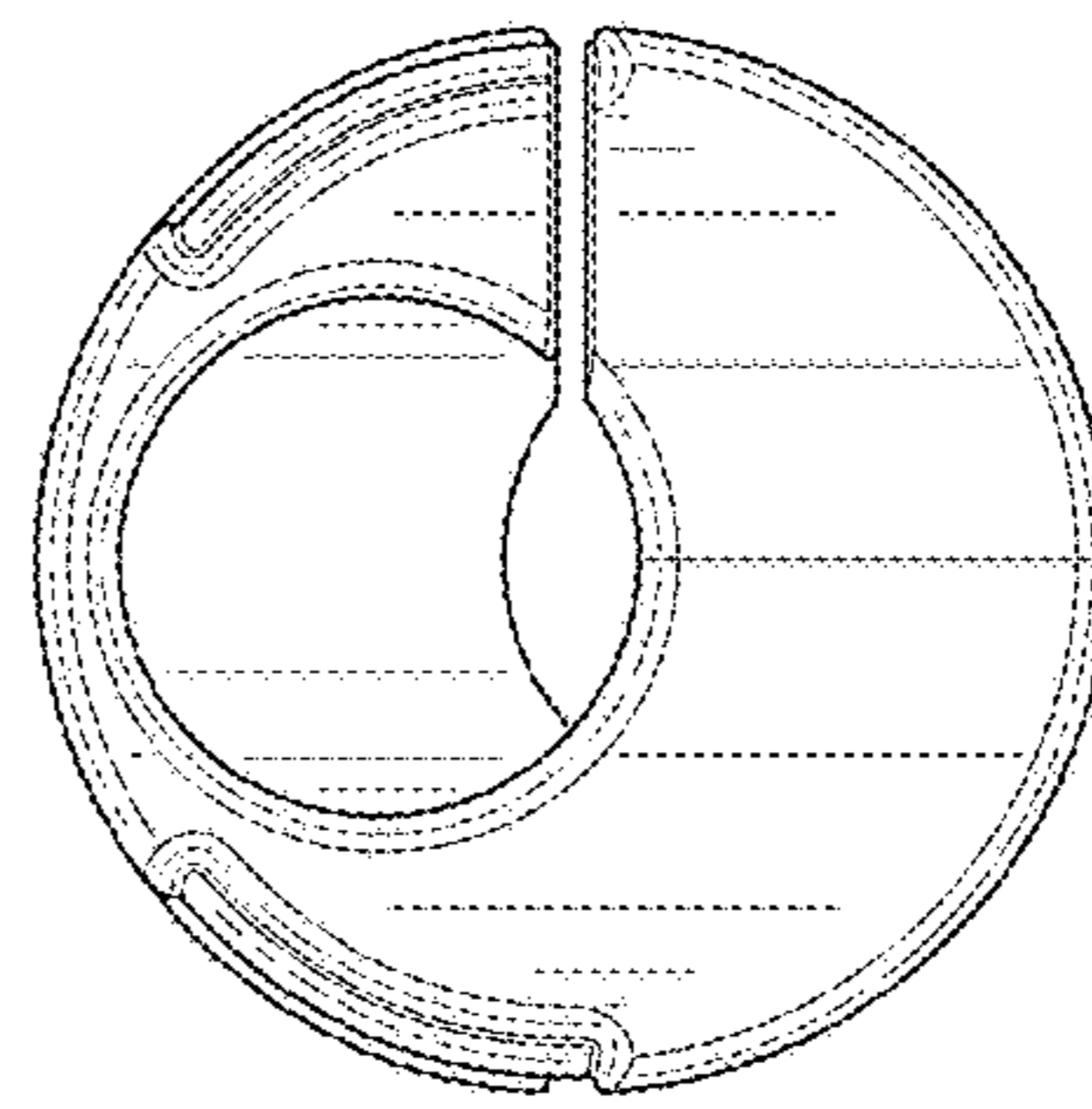


FIG. 7

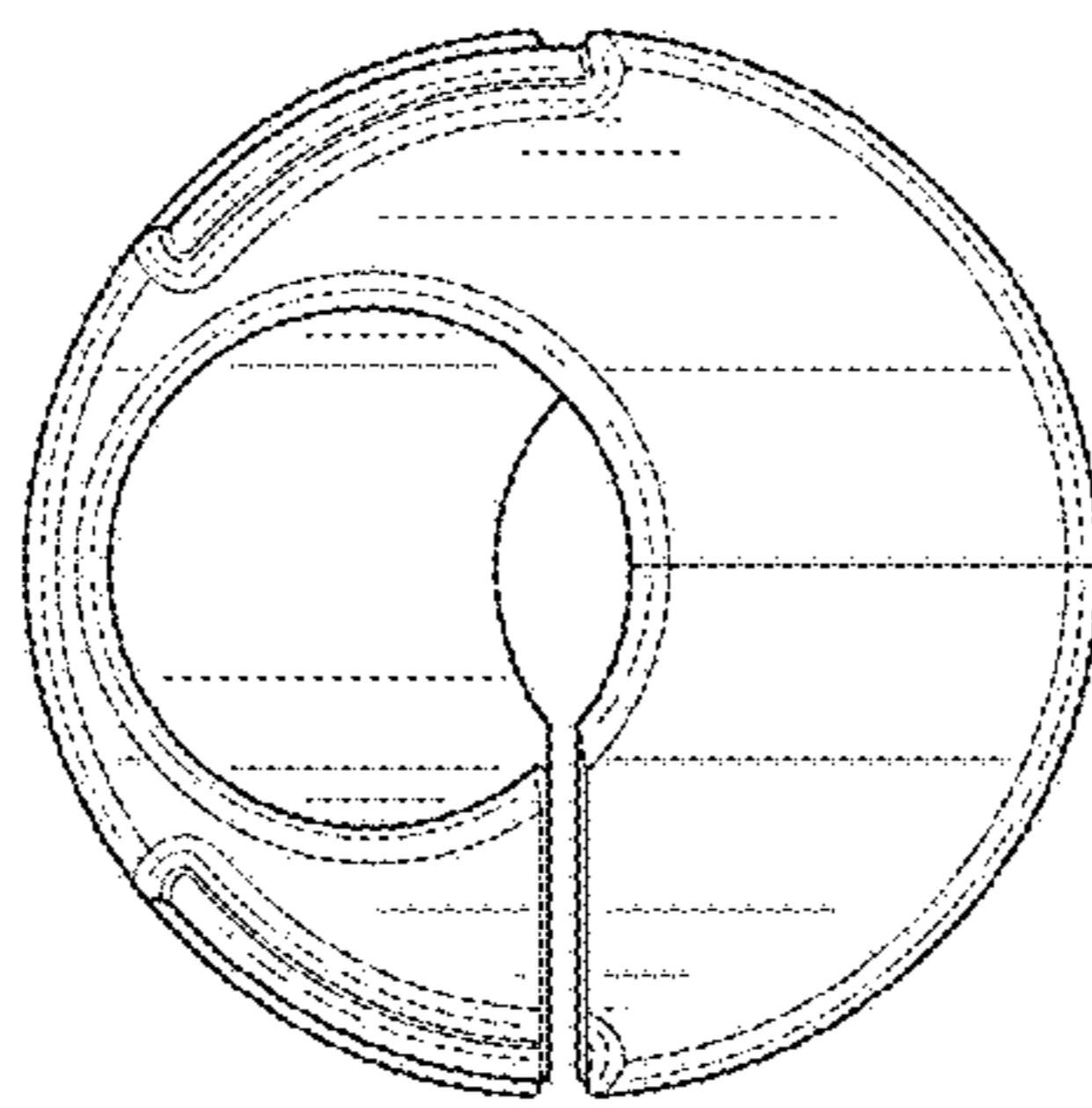


FIG. 4

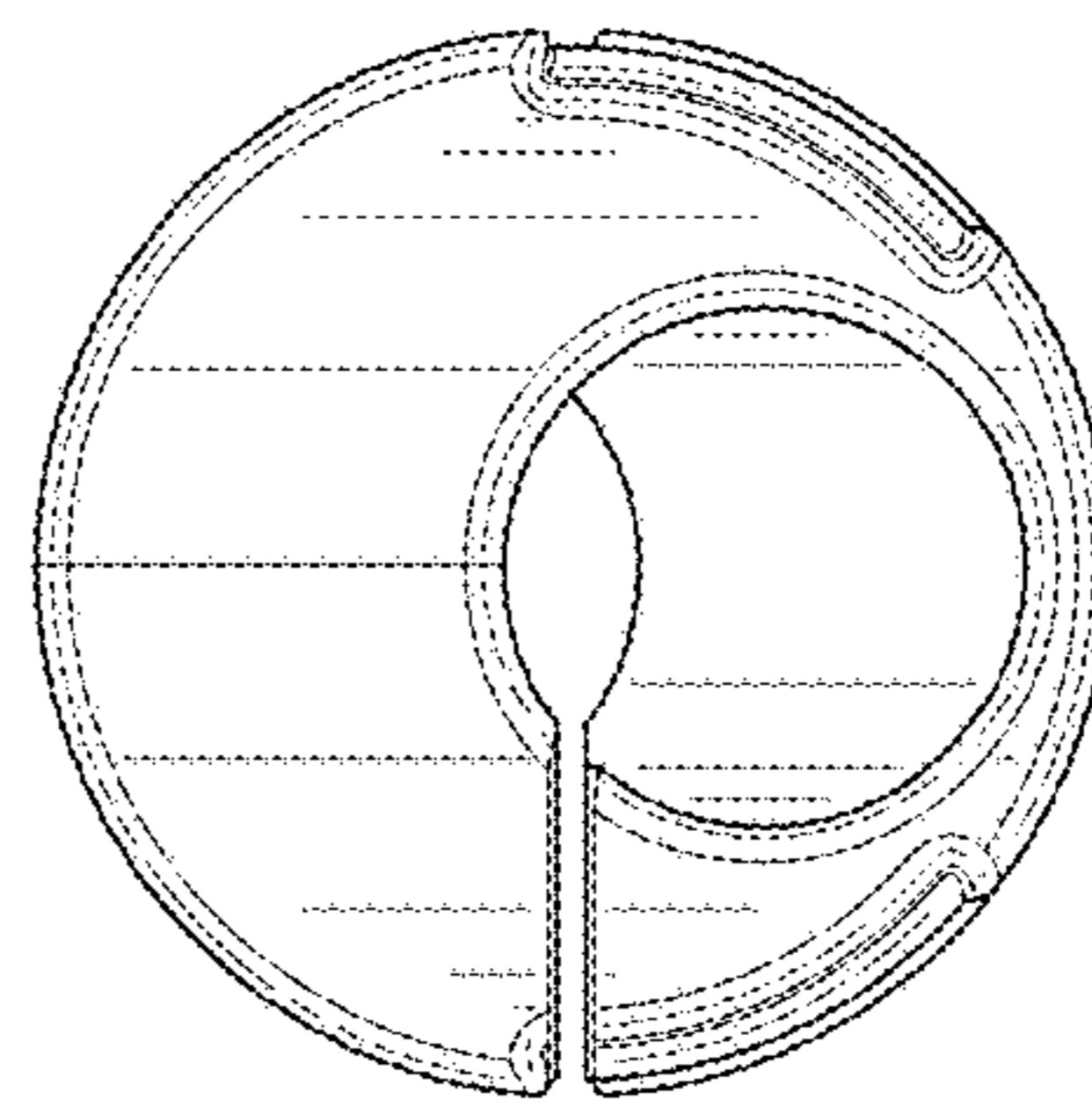


FIG. 6

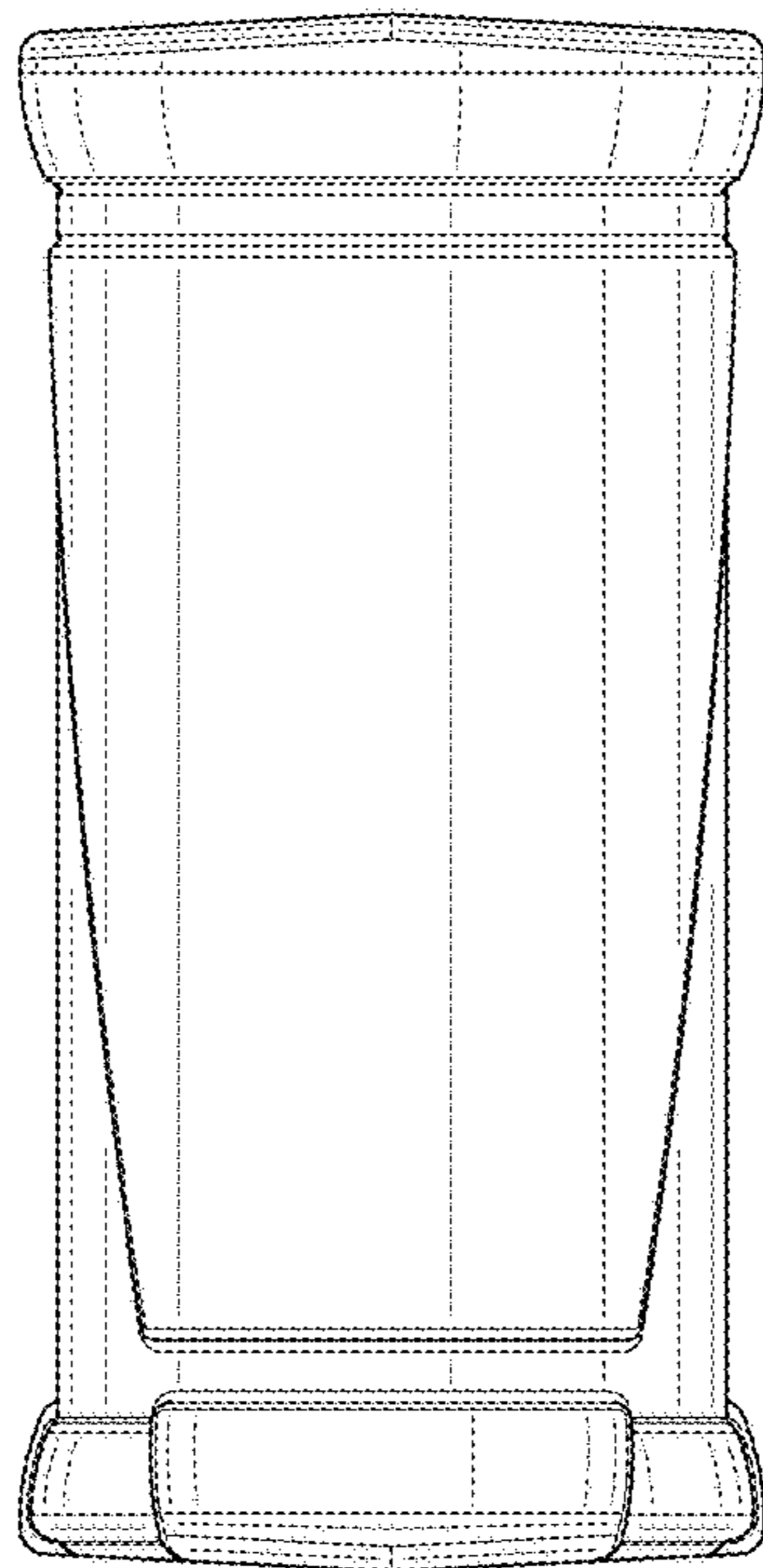
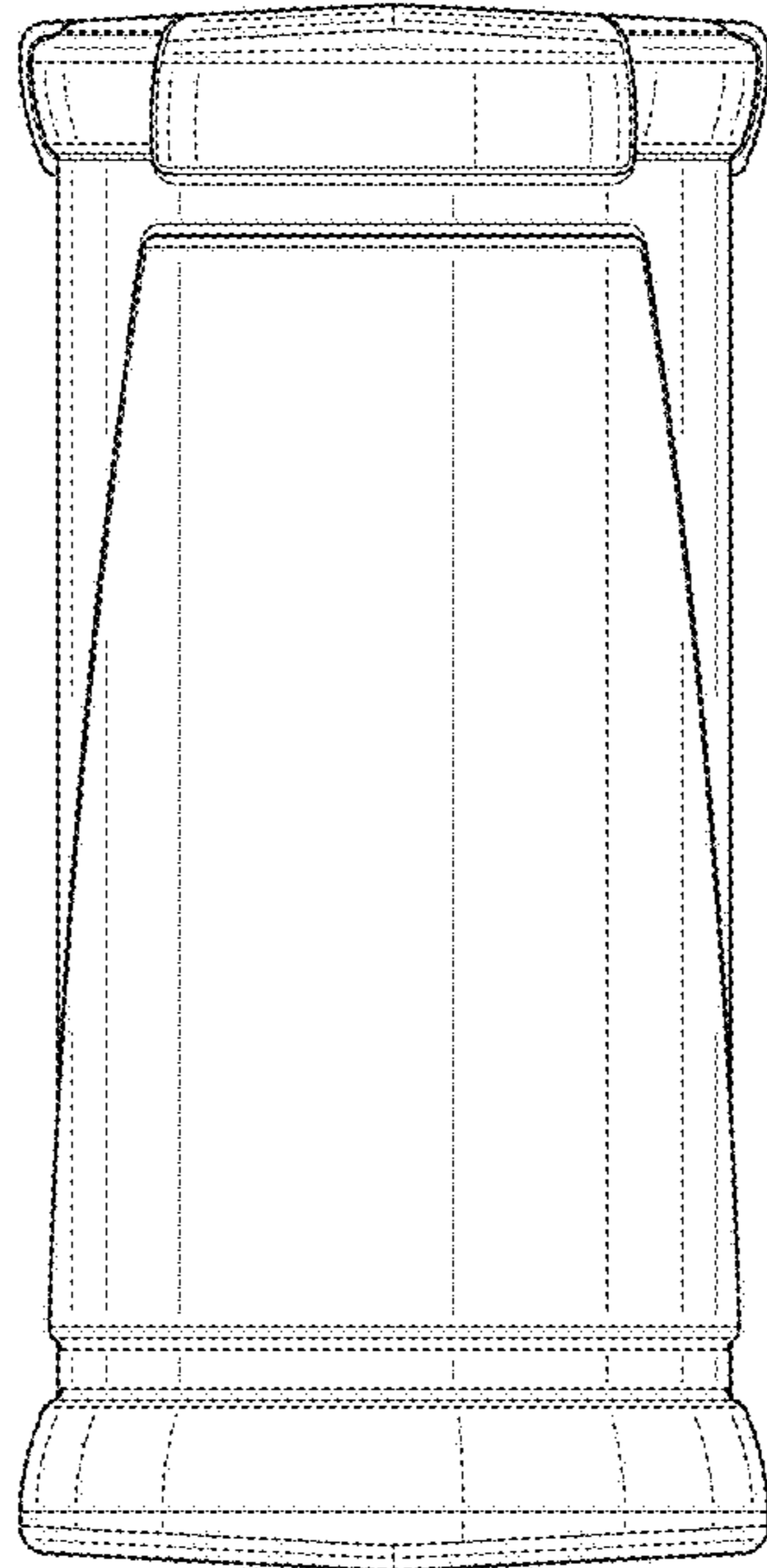


FIG. 8

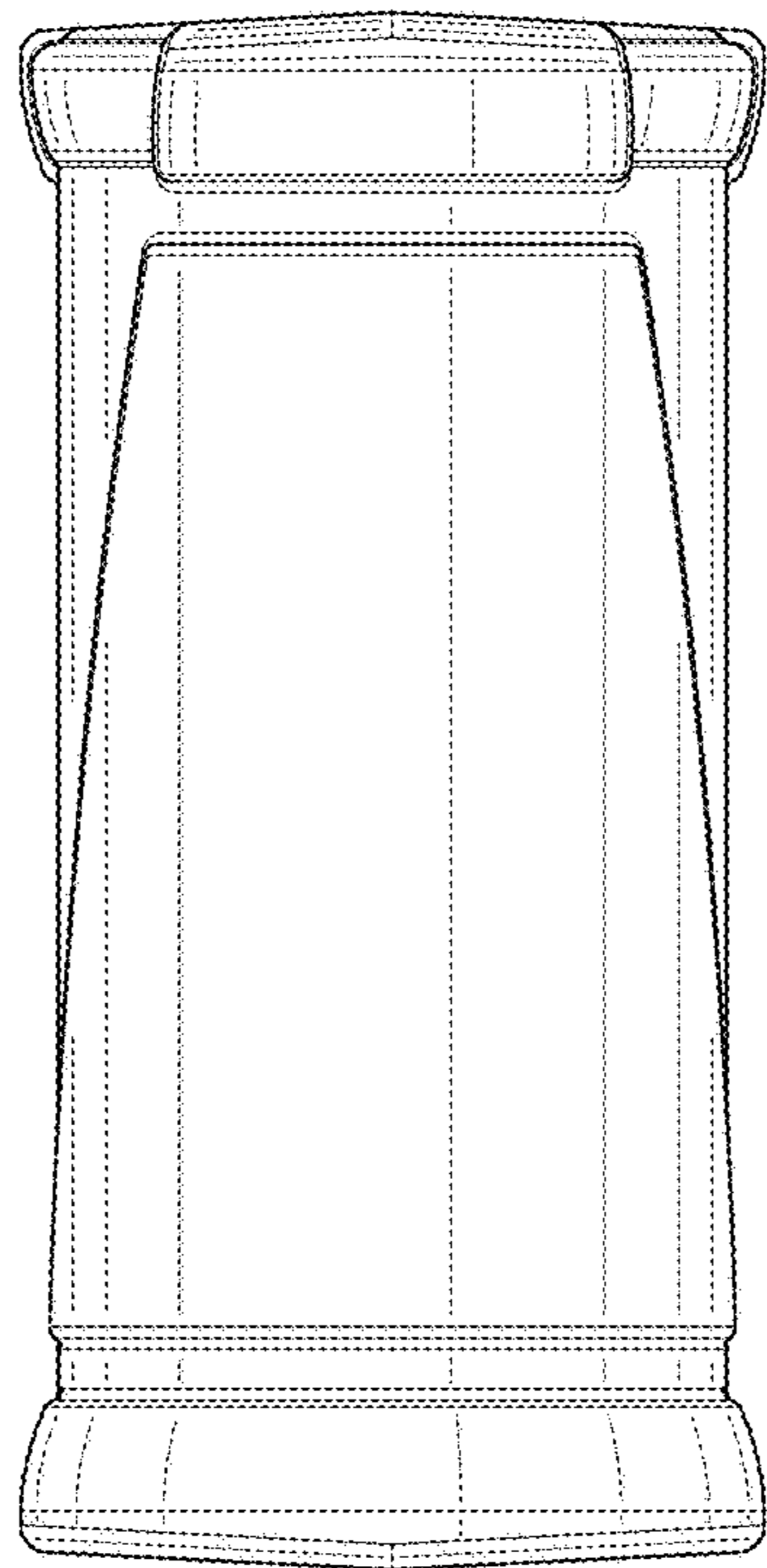
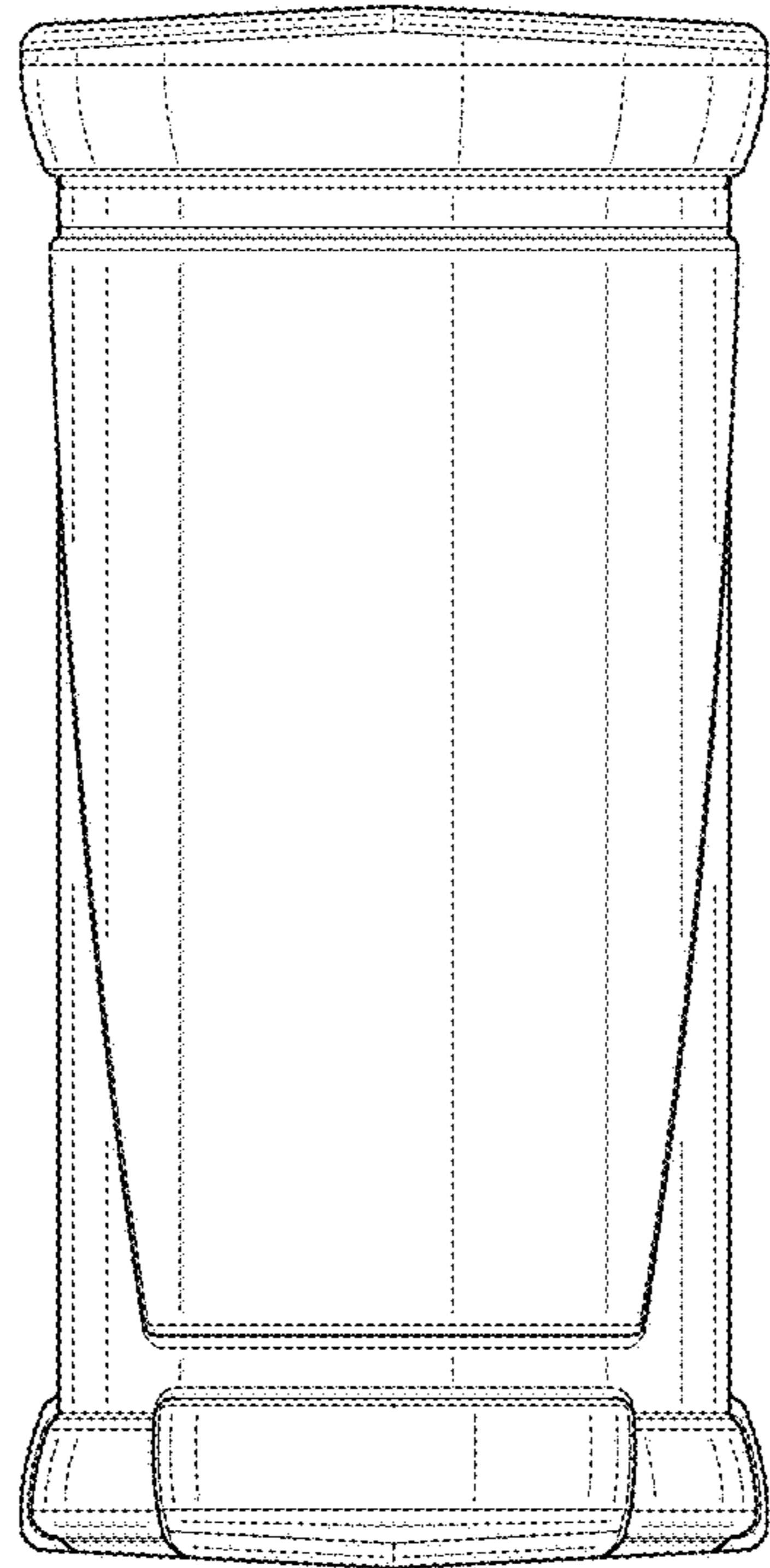


FIG. 9

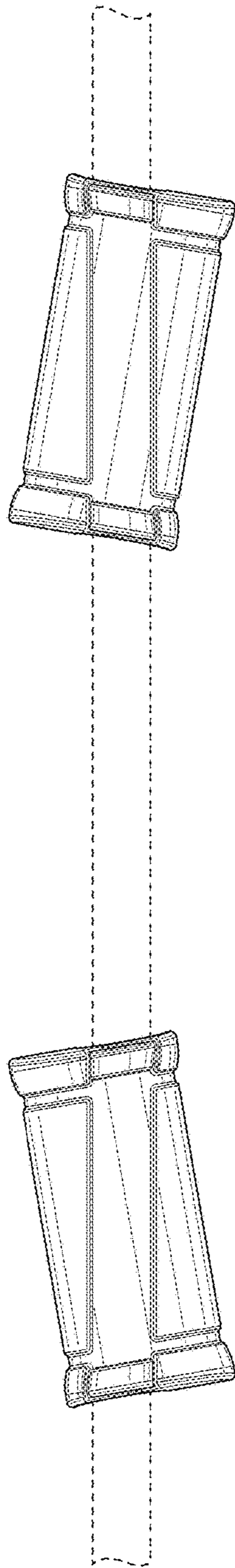


FIG. 10

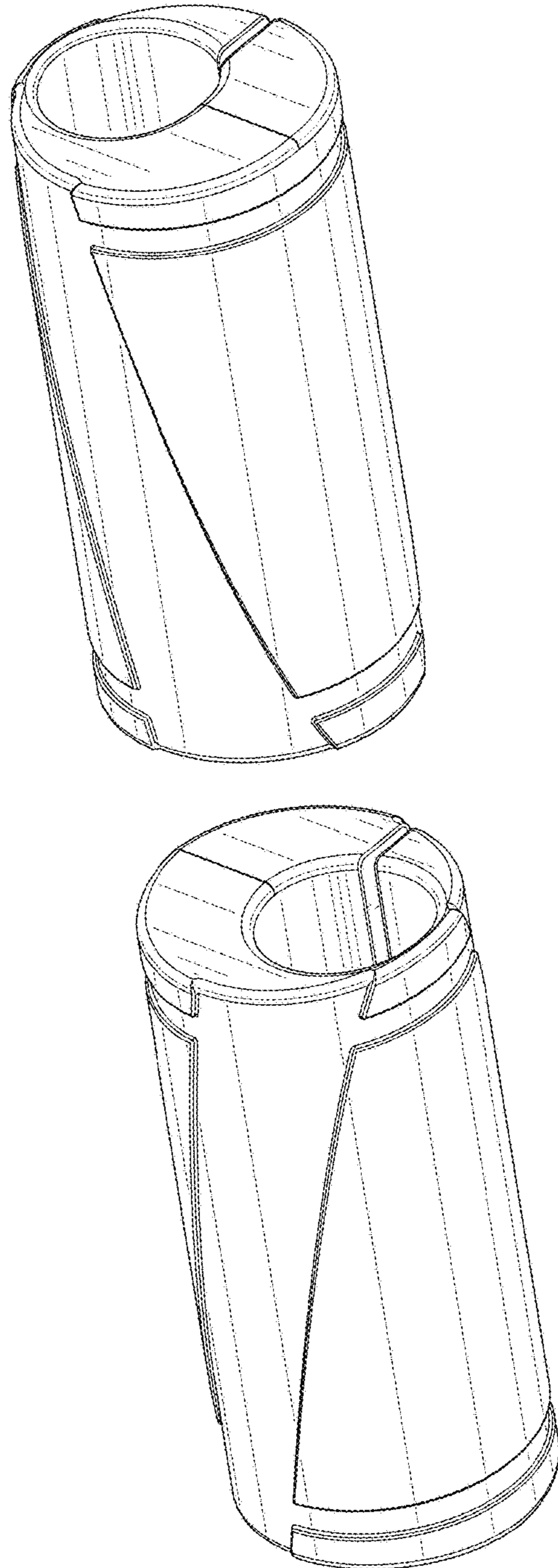


FIG. 11

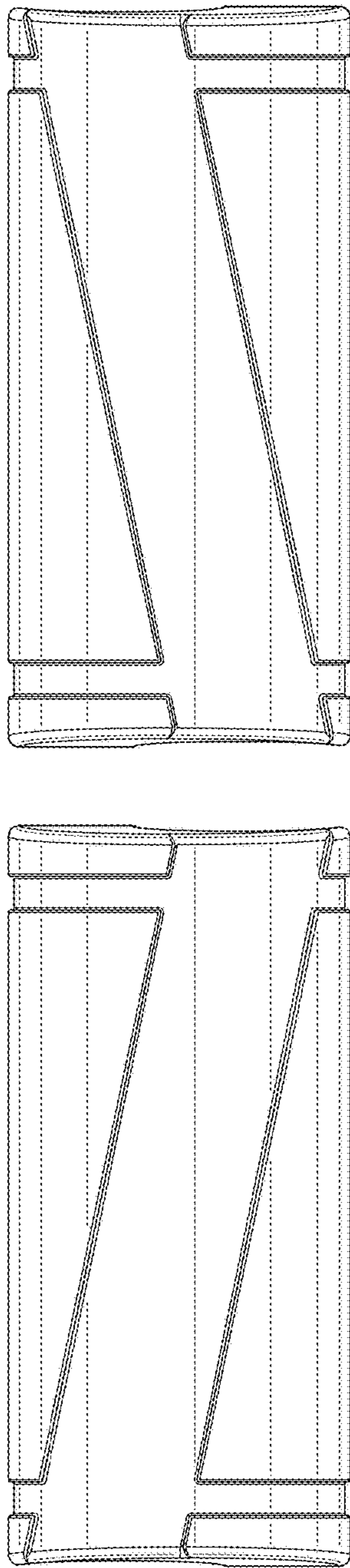


FIG. 12

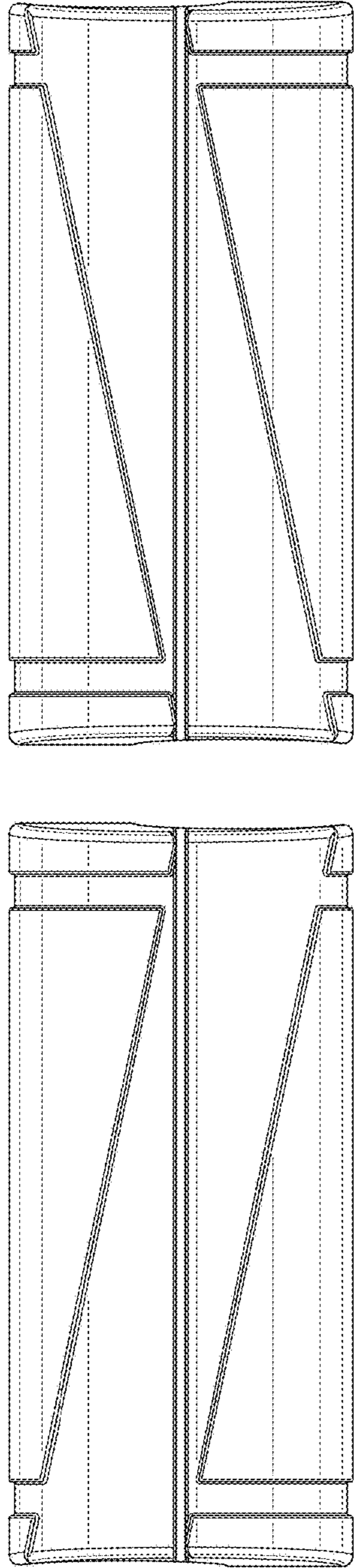


FIG. 13

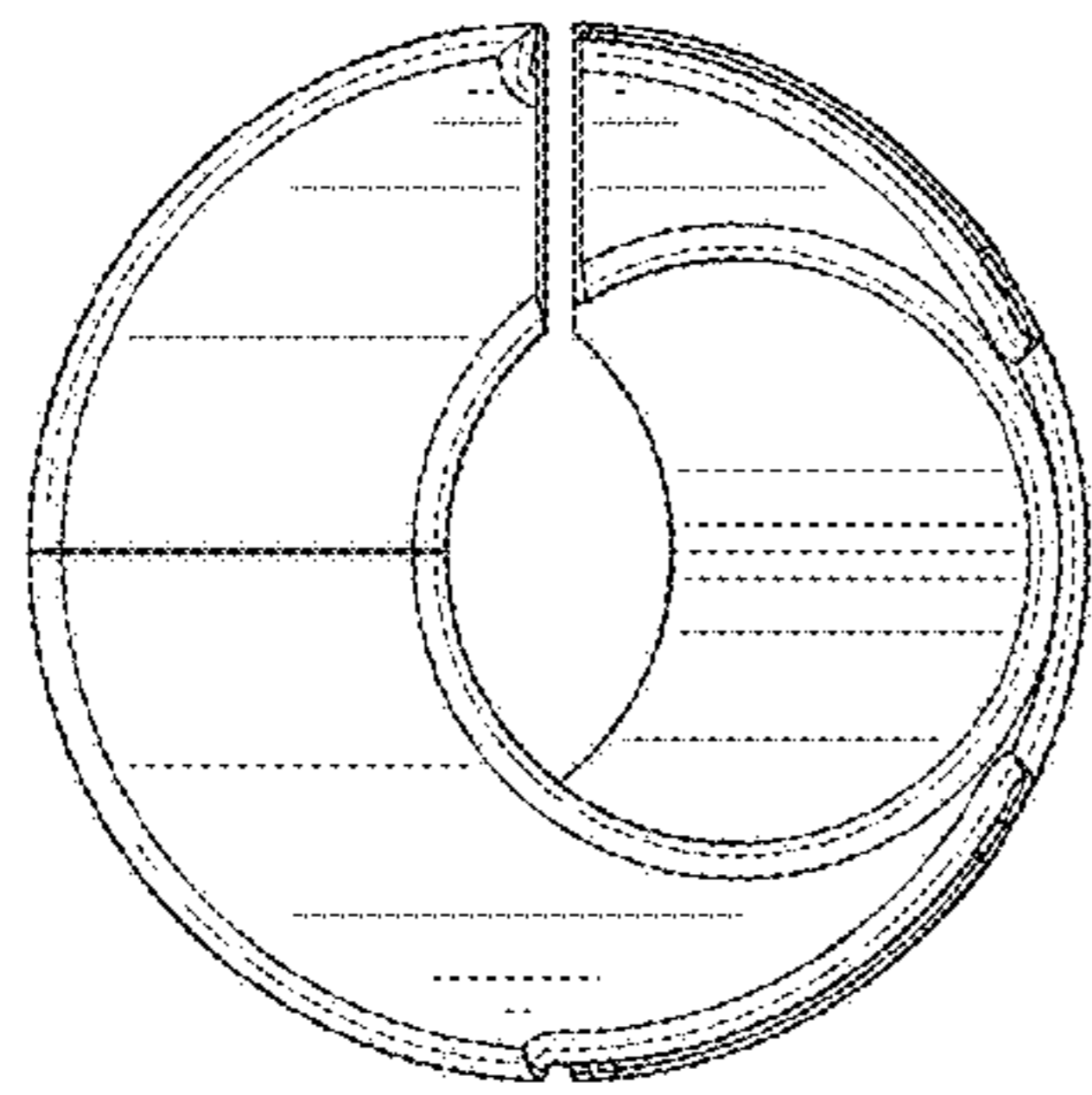


FIG. 15

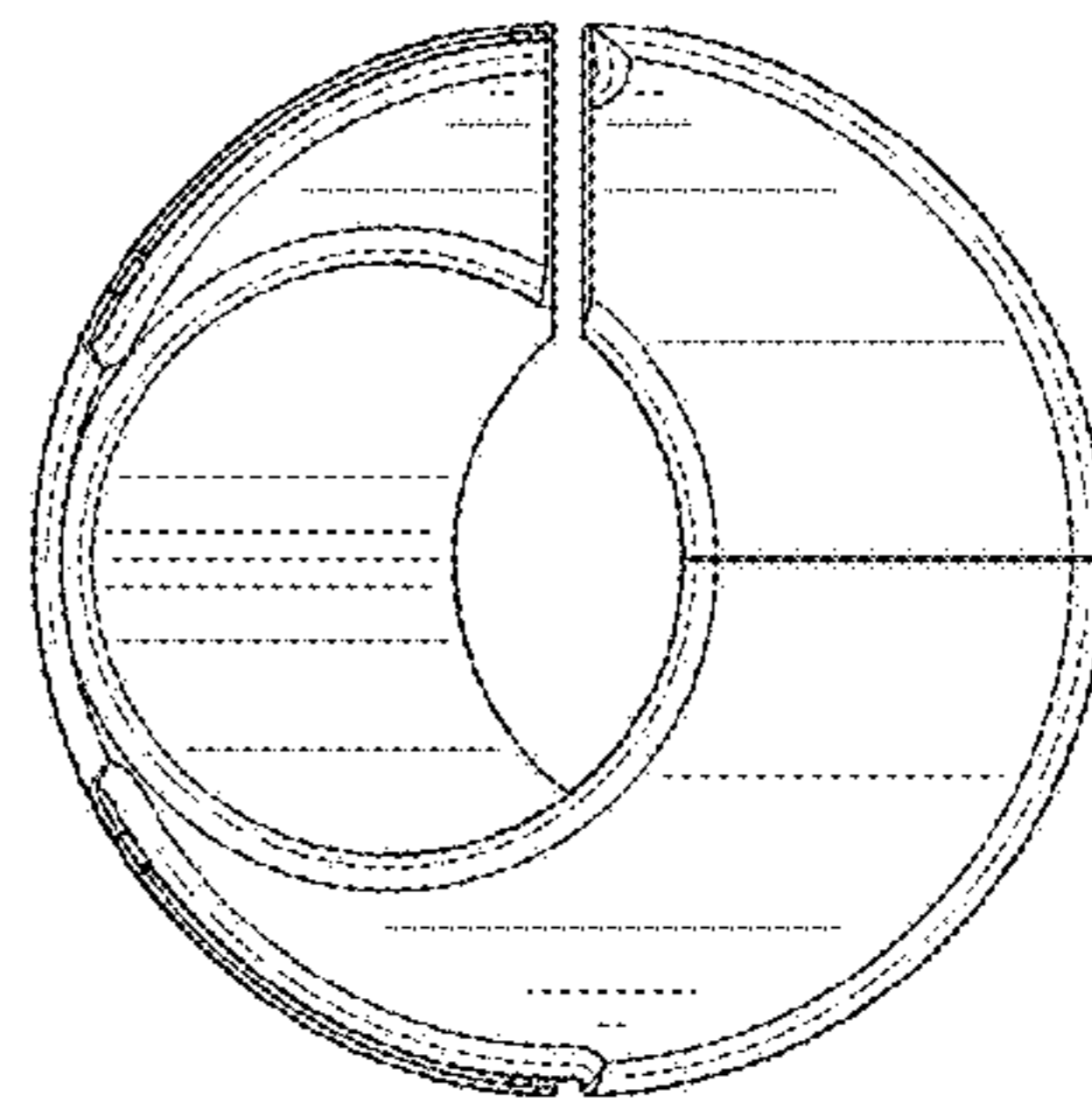


FIG. 17

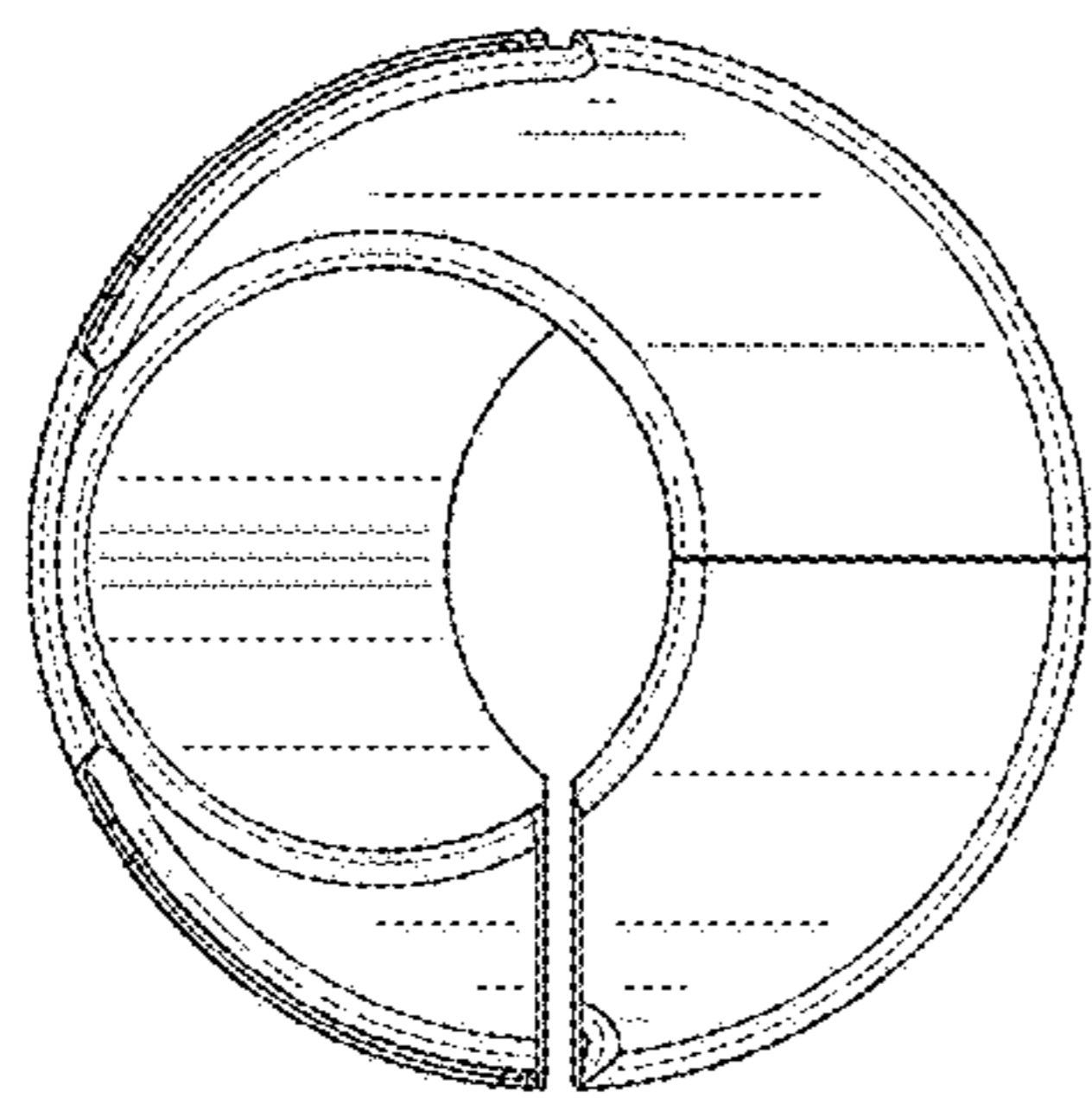


FIG. 14

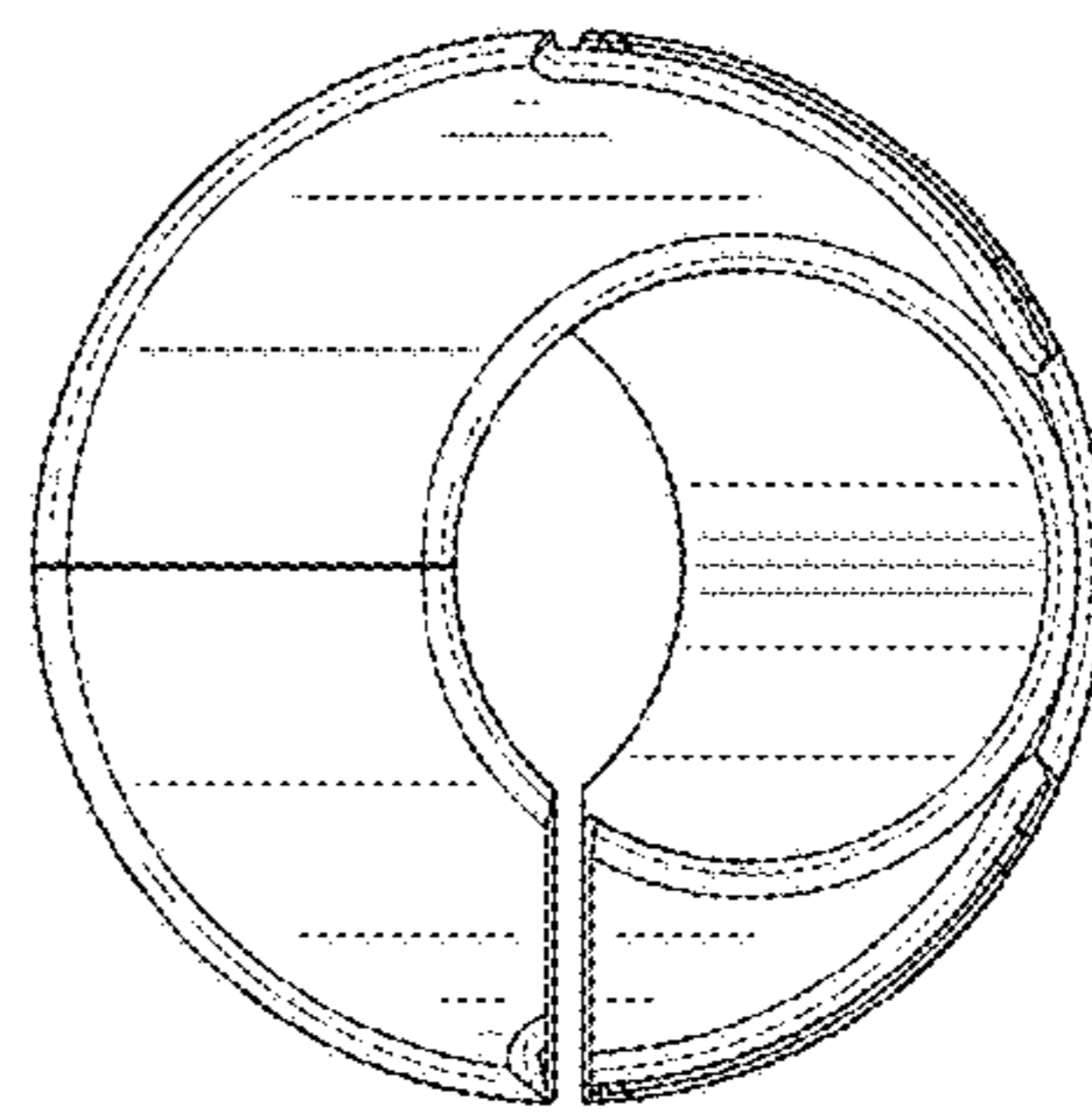


FIG. 16

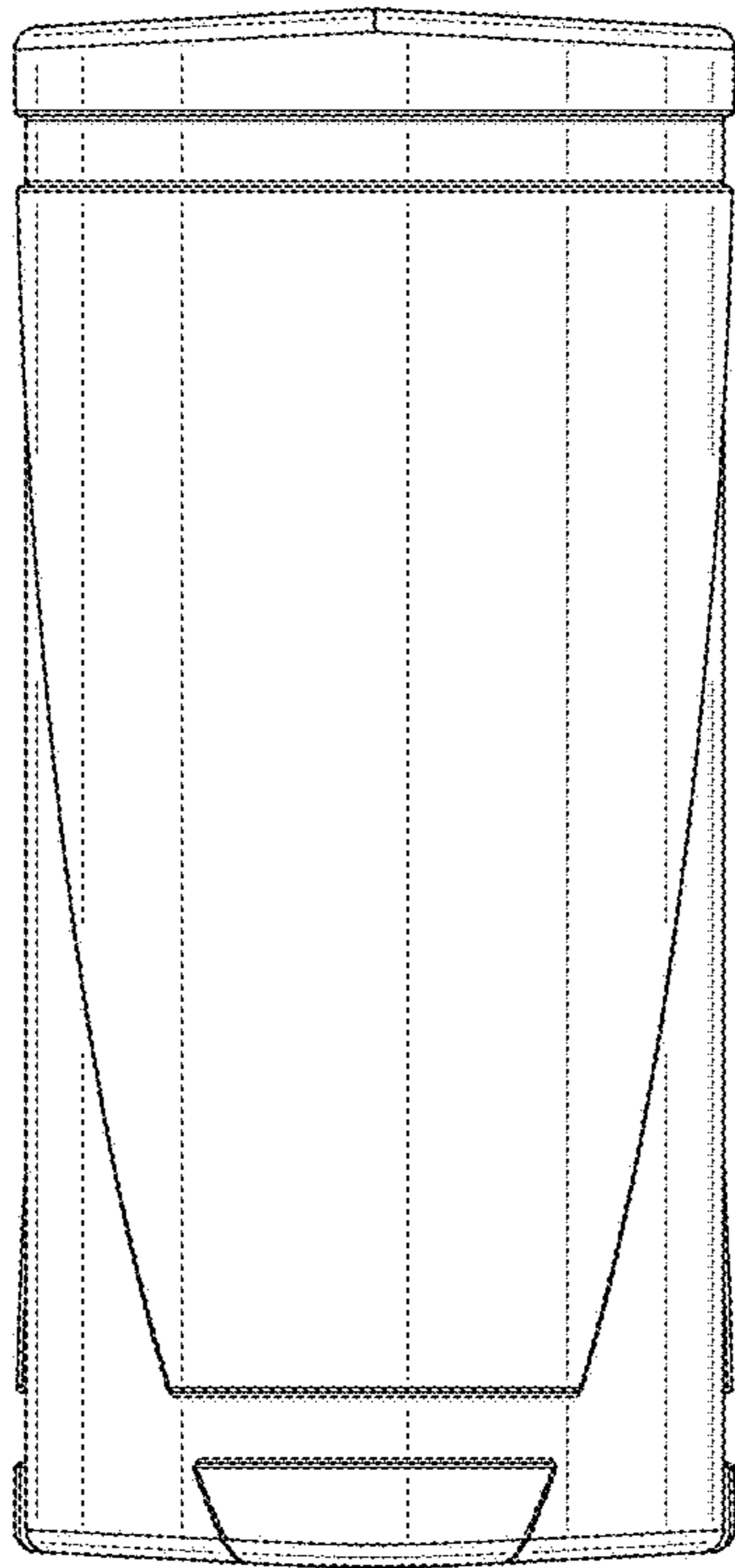
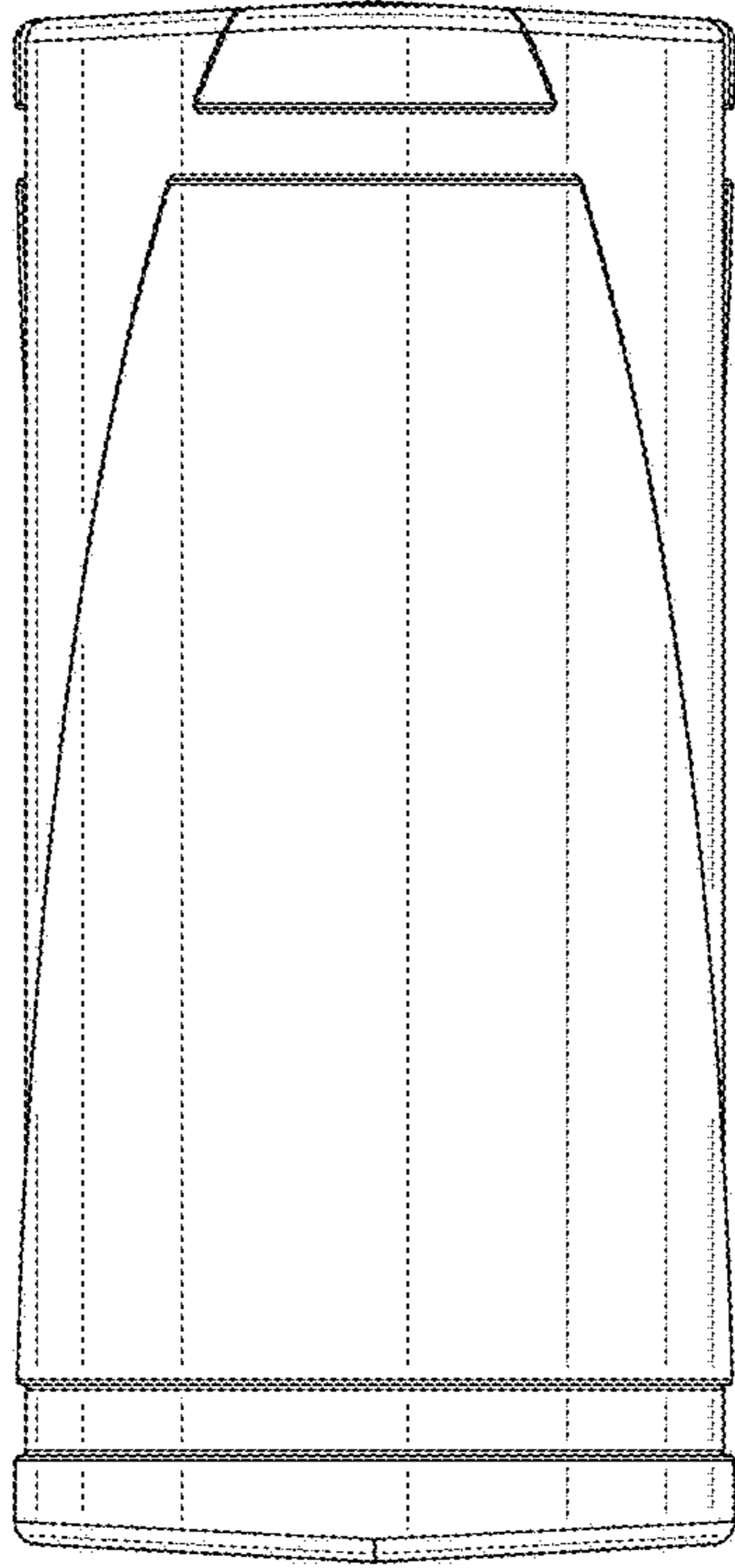


FIG. 18

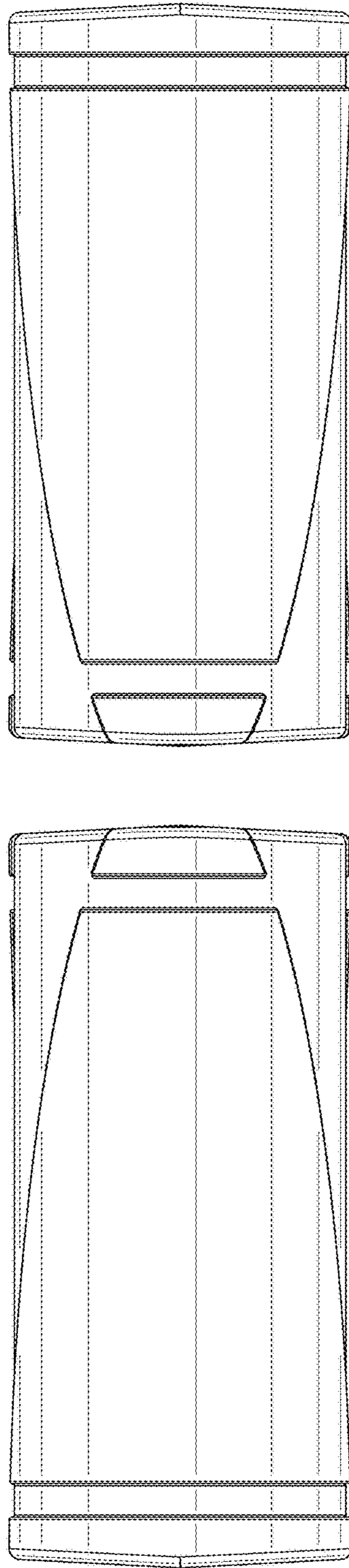


FIG. 19

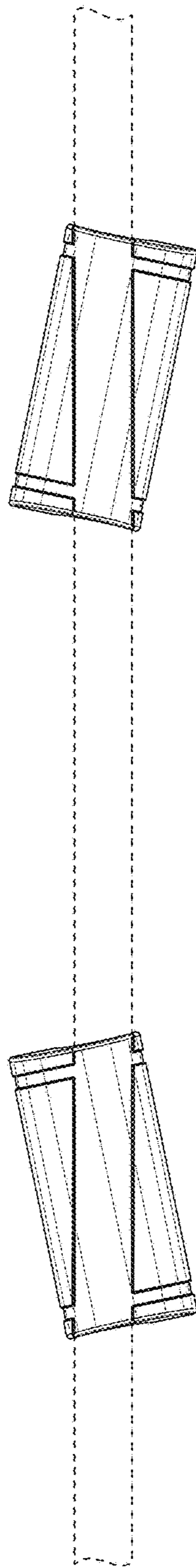


FIG. 20