



US00D875856S

(12) **United States Design Patent** (10) **Patent No.:** **US D875,856 S**
Kruse et al. (45) **Date of Patent:** **** Feb. 18, 2020**

(54) **TREADMILL SLAT**

OTHER PUBLICATIONS

(71) Applicant: **Peloton Interactive, Inc.**, New York, NY (US)
(72) Inventors: **Mark Kruse**, Brooklyn, NY (US); **Jason Poure**, Hastings on Hudson, NY (US); **Nigel Alcorn**, Bridgeport, CT (US); **Lee Hendrickson**, Brooklyn, NY (US)
(73) Assignee: **Peloton Interactive, Inc.**, New York, NY (US)

Taiwanese Office Action dated Feb. 23, 2019 for Taiwanese Patent Application No. 107303829, a counterpart of U.S. Appl. No. 29/632,278, 3 pages.

Primary Examiner — Ryan Harvey
(74) *Attorney, Agent, or Firm* — Lee & Hayes, P.C.

(**) Term: **15 Years**
(21) Appl. No.: **29/692,629**
(22) Filed: **May 28, 2019**

(57) **CLAIM**
The ornamental design for a treadmill slat, as shown and described.

DESCRIPTION

Related U.S. Application Data

(62) Division of application No. 29/632,278, filed on Jan. 5, 2018, now Pat. No. Des. 854,101.
(51) **LOC (12) Cl.** **21-02**
(52) **U.S. Cl.**
USPC **D21/694**
(58) **Field of Classification Search**
USPC 482/54, 2, 51, 8, 70, 146; D21/669;
198/439, 456; D30/160; 601/35, 23, 5,
601/34

FIG. 1 is a top perspective view of the treadmill slat, showing our new design;
FIG. 2 is a bottom perspective view thereof;
FIG. 3 is a front view thereof;
FIG. 4 is a back view thereof;
FIG. 5 is a left-side view thereof;
FIG. 6 is a right-side view thereof;
FIG. 7 is a top view thereof;
FIG. 8 is a bottom view thereof;
FIG. 9 is a cross-sectional view along the lines 9-9 shown in FIG. 7;
FIG. 10 is an expanded view of a portion of the cross-sectional view shown in FIG. 9;
FIG. 11 is a front perspective view of a treadmill slat. FIGS. 11-18 include disclaimed environment showing a treadmill;
FIG. 12 is a back perspective view thereof;
FIG. 13 is a front view thereof;
FIG. 14 is a back view thereof;
FIG. 15 is a left-side view thereof;
FIG. 16 is a right-side view thereof;
FIG. 17 is a top view thereof; and,
FIG. 18 is a bottom view thereof.

(Continued)

(56) **References Cited**

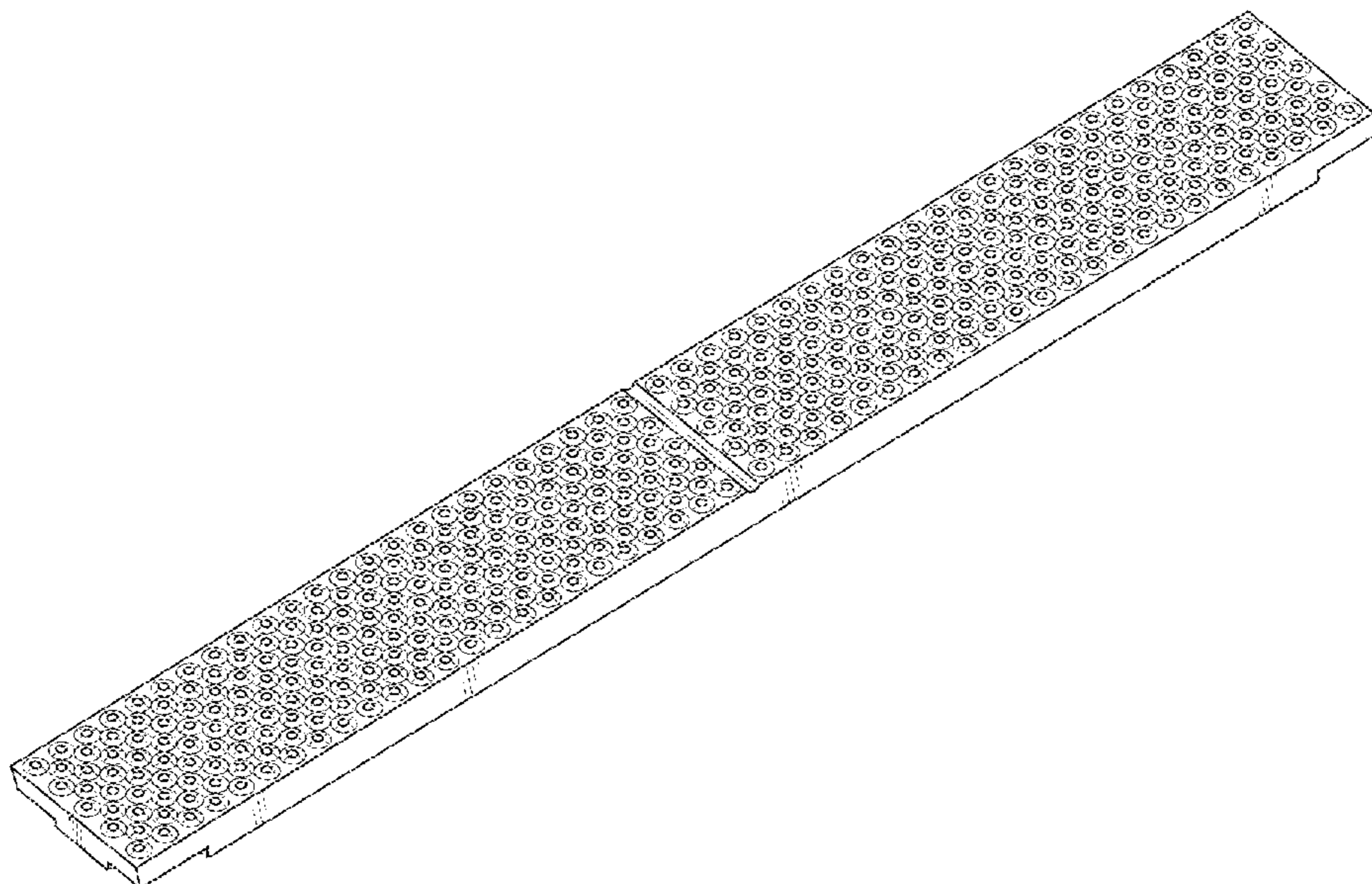
U.S. PATENT DOCUMENTS

1,211,765 A * 1/1917 Schmidt A63B 22/02
482/54
5,018,722 A * 5/1991 Whitmore A63B 22/02
482/54

The broken lines depict portions of the treadmill slat and/or environment of the treadmill slat that form no part of the claimed design.

(Continued)

1 Claim, 18 Drawing Sheets



(58) **Field of Classification Search**

CPC . A63B 22/02; A63B 22/0023; A63B 22/0235;
 A63B 2210/50; A63B 22/0285; A63B
 22/0242; A63B 2022/025; A63B 2225/30;
 A63B 2022/0214; A63B 2220/13; A63B
 2022/0228; A63B 2210/56; A63B
 2024/0093; A63B 2022/0207; A63B
 22/0012; A63B 22/0257; A61H 3/008;
 A61H 1/0262; A61H 2201/164; A01K
 15/027

See application file for complete search history.

(56) **References Cited**

U.S. PATENT DOCUMENTS

5,527,241 A * 6/1996 Peng A61H 7/001
 482/51
 6,180,210 B1 * 1/2001 Debus A63B 22/02
 428/167
 D445,152 S 7/2001 Wang et al.
 6,918,859 B1 * 7/2005 Yeh A61H 7/001
 482/54
 D579,992 S 11/2008 Cesaroni
 7,976,437 B1 * 7/2011 von Detten A63B 22/0235
 482/54
 8,308,619 B1 11/2012 Astilean
 D707,763 S 6/2014 Cutler
 D709,147 S * 7/2014 Oransky D21/662
 9,039,579 B1 * 5/2015 Osime A63B 22/14
 482/51
 9,044,637 B2 * 6/2015 Karl A63B 22/0235

D763,976 S 8/2016 Vezeau et al.
 D827,733 S 9/2018 Hochstrasser
 10,299,988 B2 * 5/2019 Shin A61H 39/04
 D854,101 S * 7/2019 Kruse D21/669
 D859,543 S * 9/2019 Lisi D21/669
 2005/0170935 A1 * 8/2005 Manser A63B 22/02
 482/54
 2007/0072743 A1 * 3/2007 Severino A63B 22/0242
 482/54
 2007/0298937 A1 * 12/2007 Shah A63B 22/02
 482/54
 2008/0176719 A1 * 7/2008 To A63B 22/0235
 482/54
 2011/0152038 A1 * 6/2011 Freitag A63B 22/02
 482/54
 2016/0023039 A1 * 1/2016 Cei A63B 22/0285
 482/54
 2016/0279465 A1 9/2016 Chang
 2016/0367851 A1 * 12/2016 Astilean B62K 7/00
 2018/0001134 A1 * 1/2018 Bayerlein A63B 21/0058
 2018/0104534 A1 * 4/2018 Erkelenz A63B 22/0235
 2018/0111018 A1 * 4/2018 Lee A63B 22/0285
 2018/0140896 A1 * 5/2018 Chen A63B 22/0285
 2019/0060705 A1 * 2/2019 Yoo A63B 22/0285
 2019/0118030 A1 * 4/2019 Yoo A63B 22/02
 2019/0126093 A1 * 5/2019 Yoo A63B 22/0285
 2019/0168066 A1 * 6/2019 Yoo A63B 22/02
 2019/0168067 A1 * 6/2019 Bates A63B 22/0285
 2019/0192952 A1 * 6/2019 Powell A63B 71/0686
 2019/0217182 A1 * 7/2019 Kueker A63B 22/0235
 2019/0255382 A1 * 8/2019 Rudelstorfer A63B 22/0257
 2019/0290956 A1 * 9/2019 Ren A63B 71/023

* cited by examiner

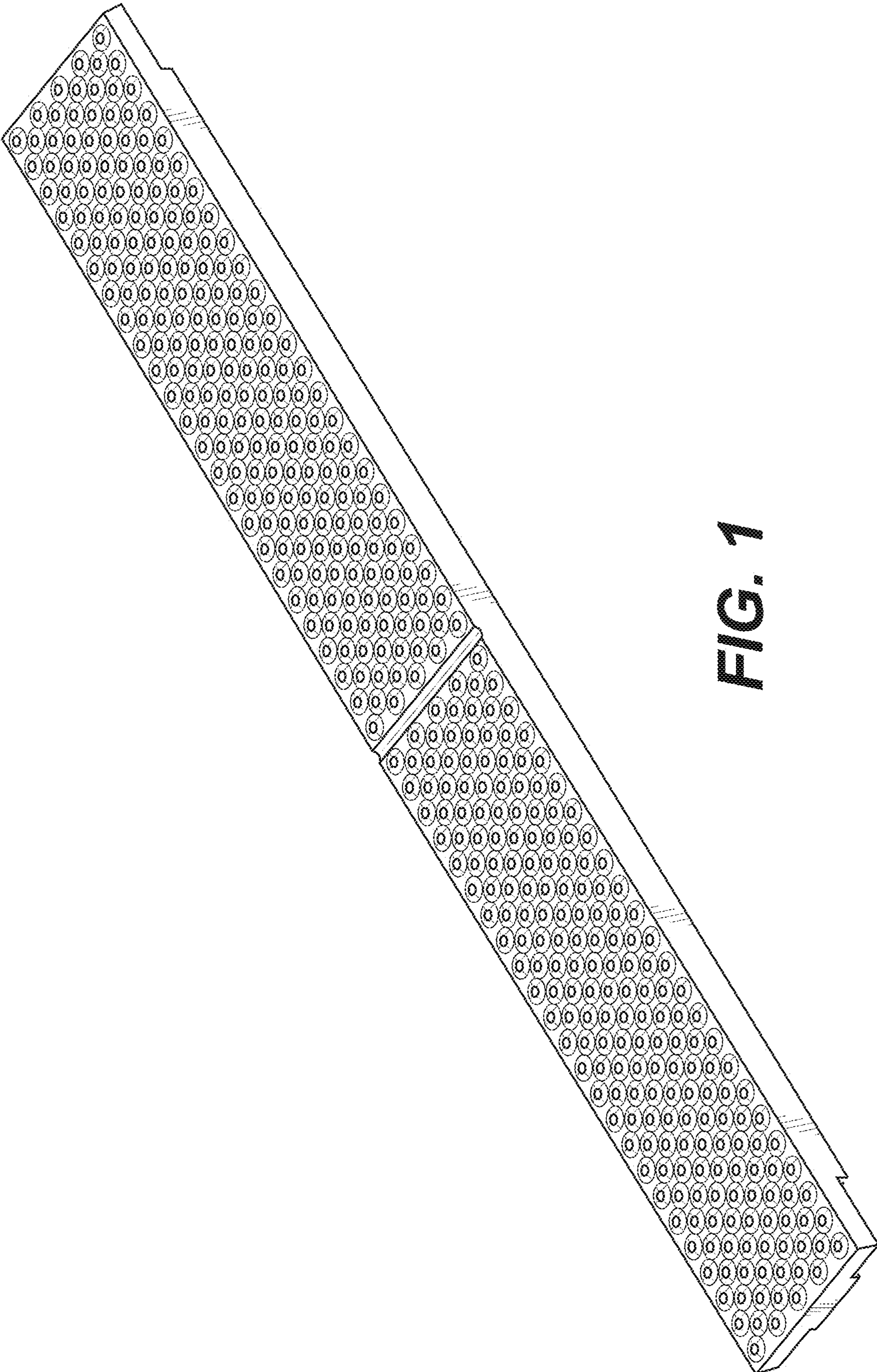


FIG. 1

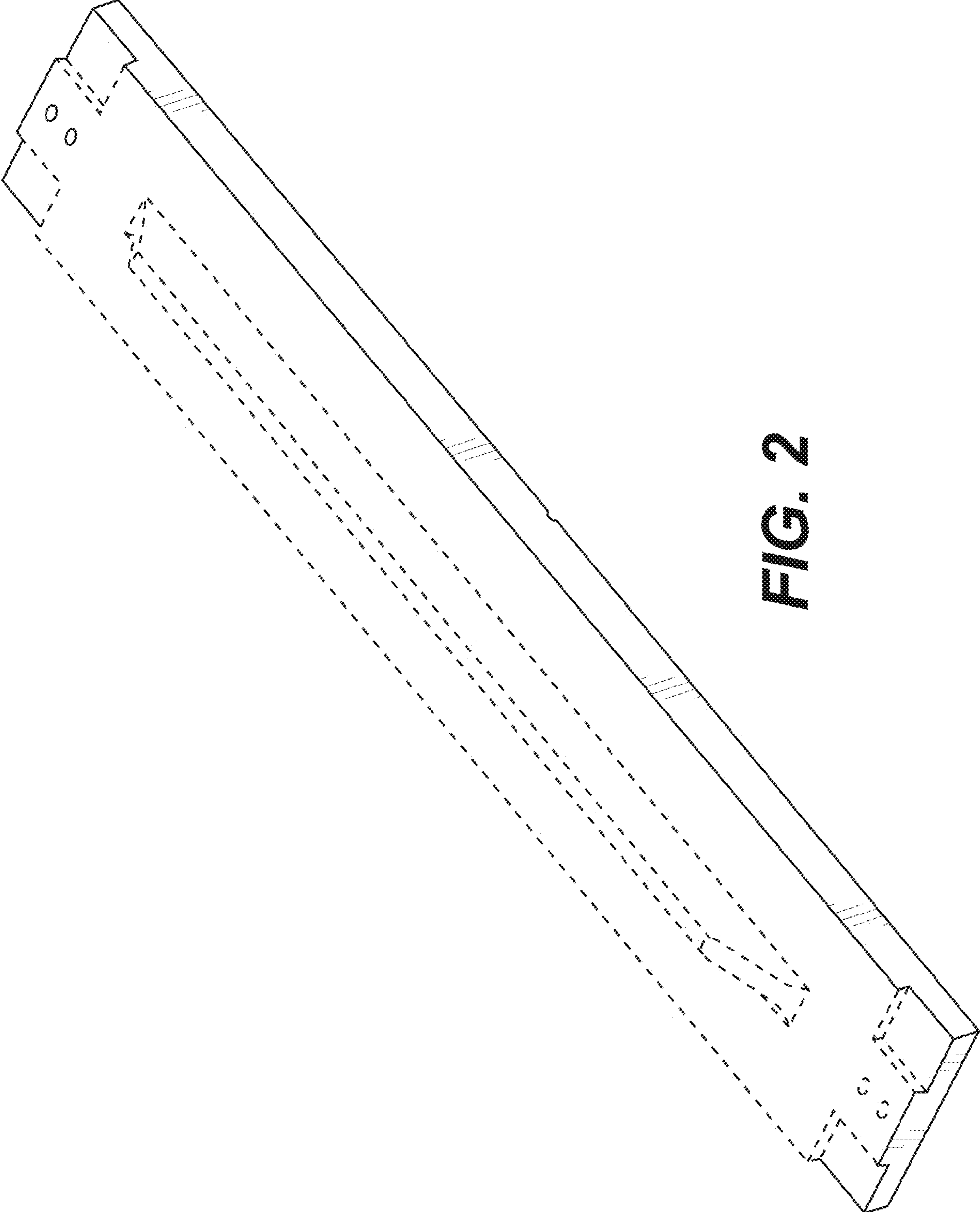


FIG. 2

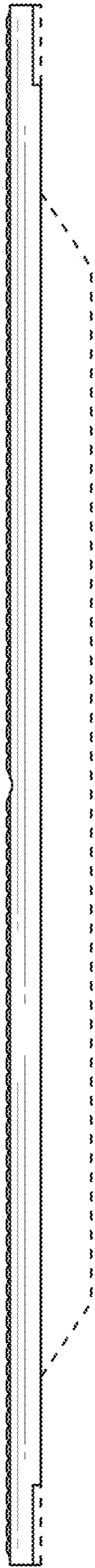


FIG. 3

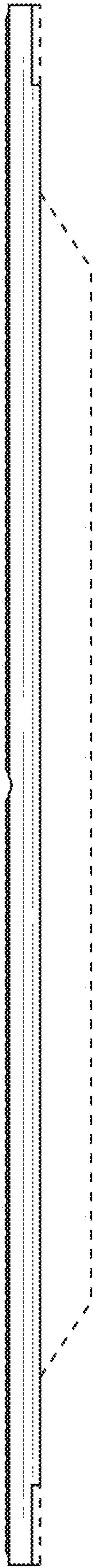


FIG. 4

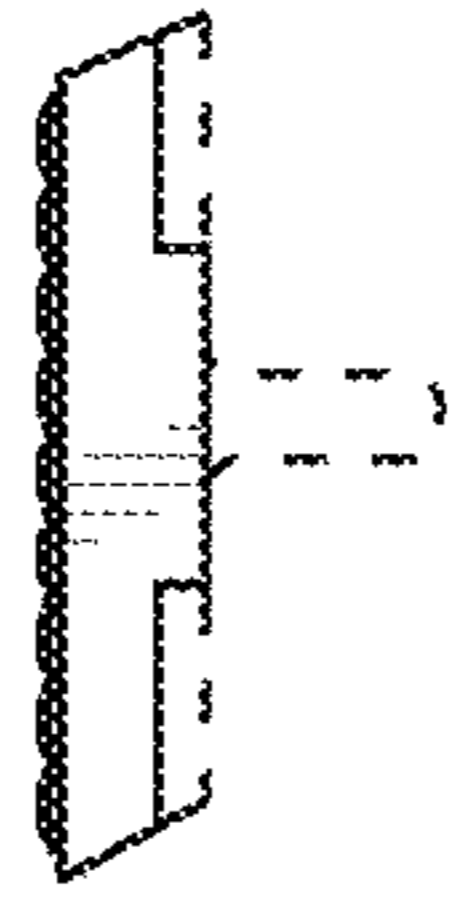


FIG. 5

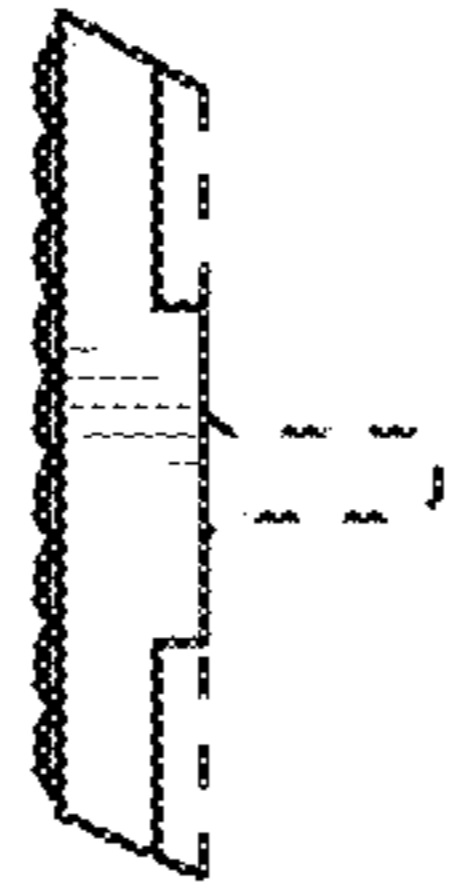


FIG. 6

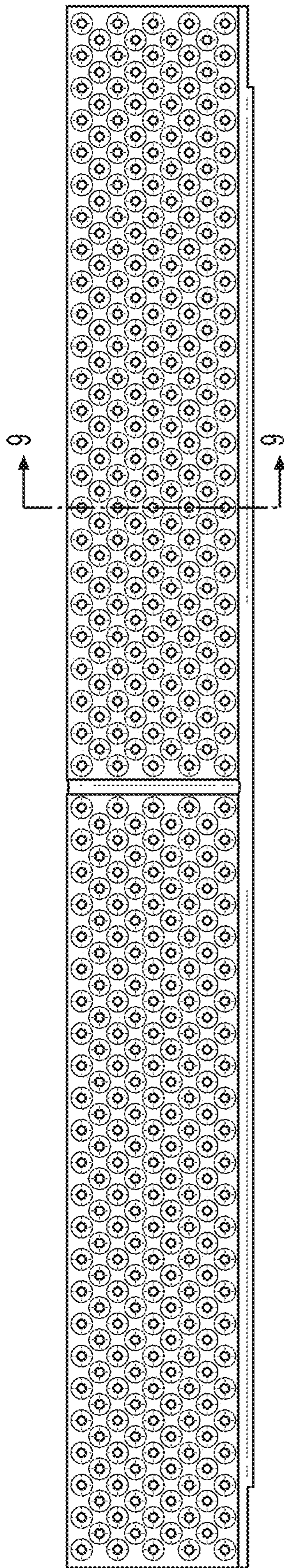


FIG. 7

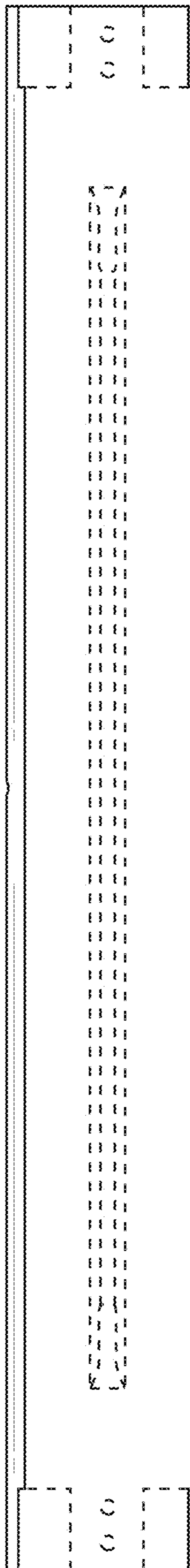


FIG. 8

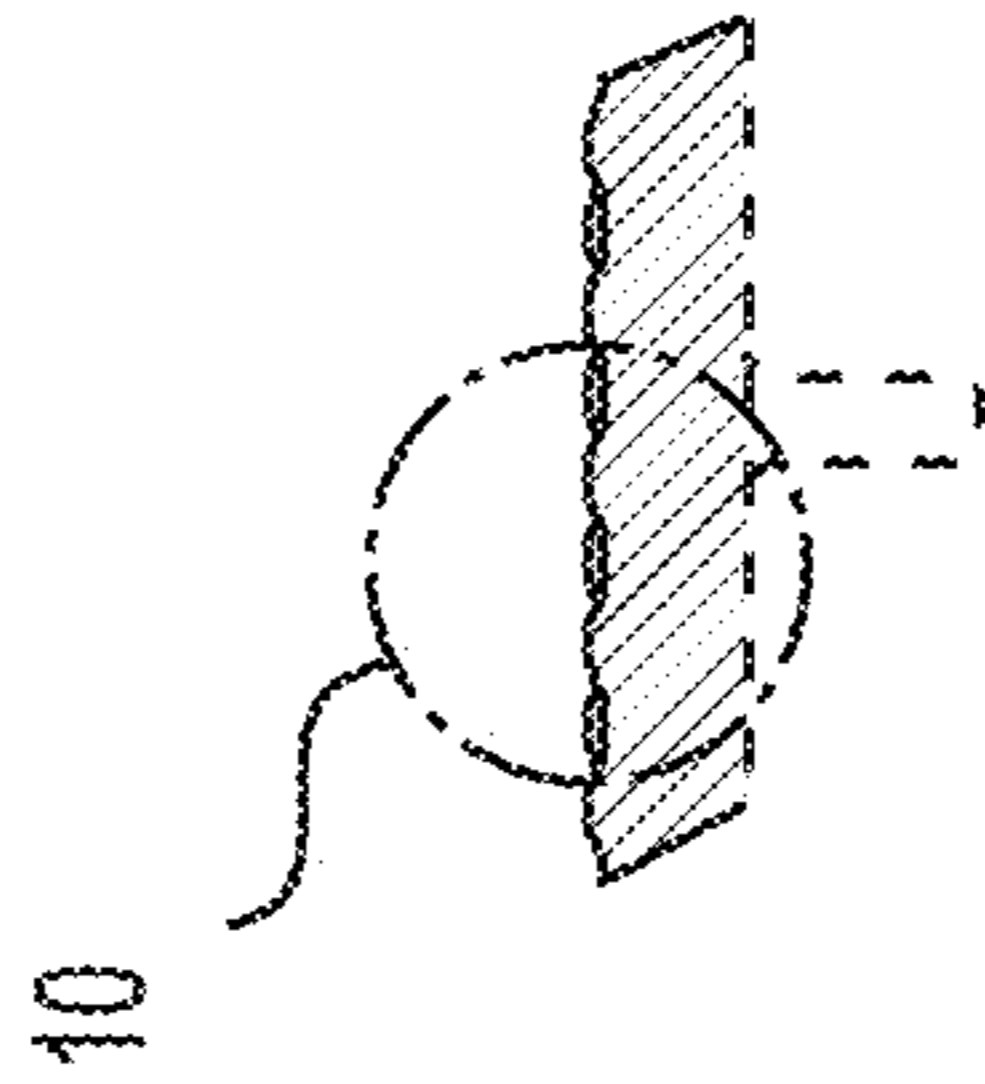


FIG. 9

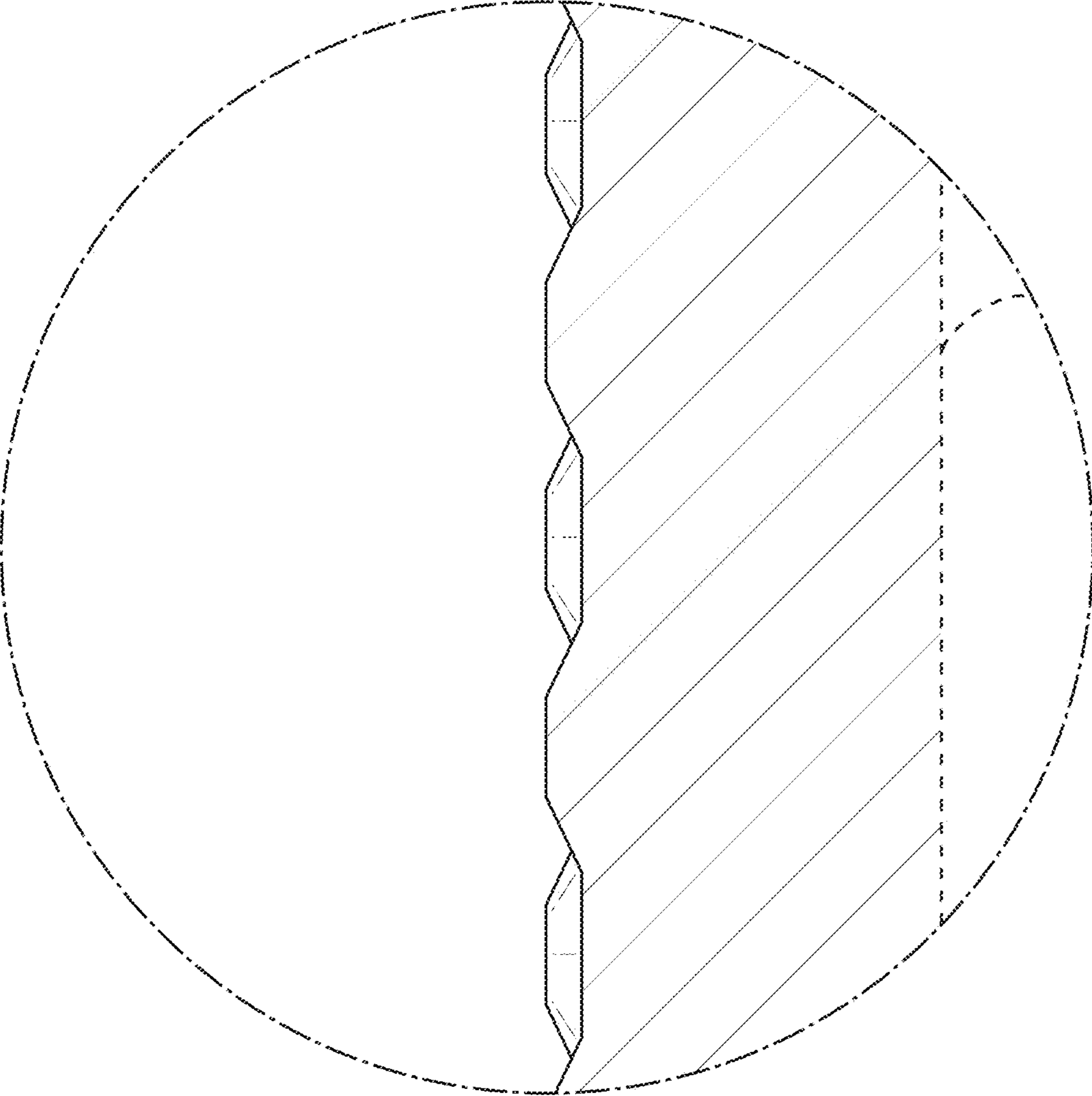


FIG. 10

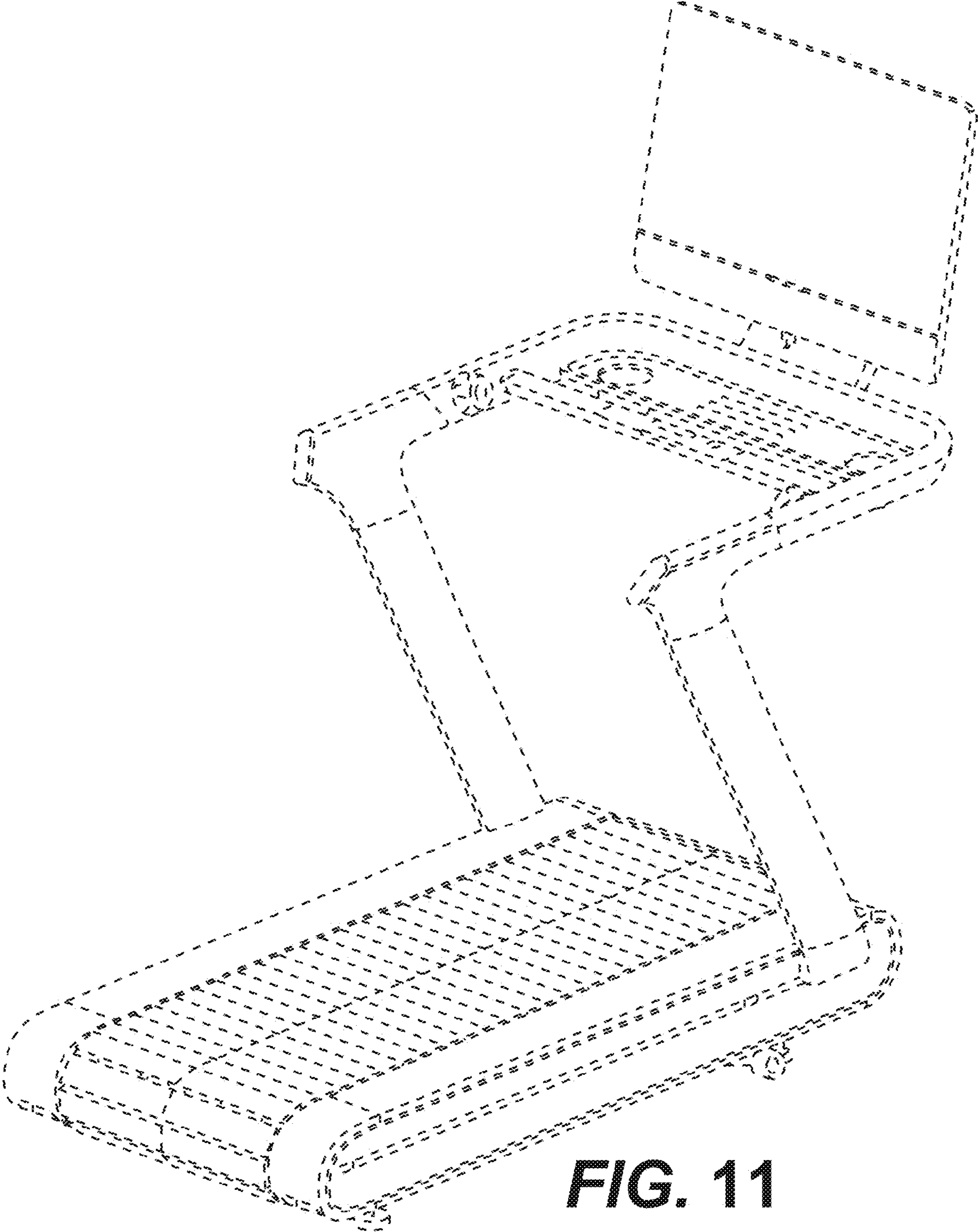


FIG. 11

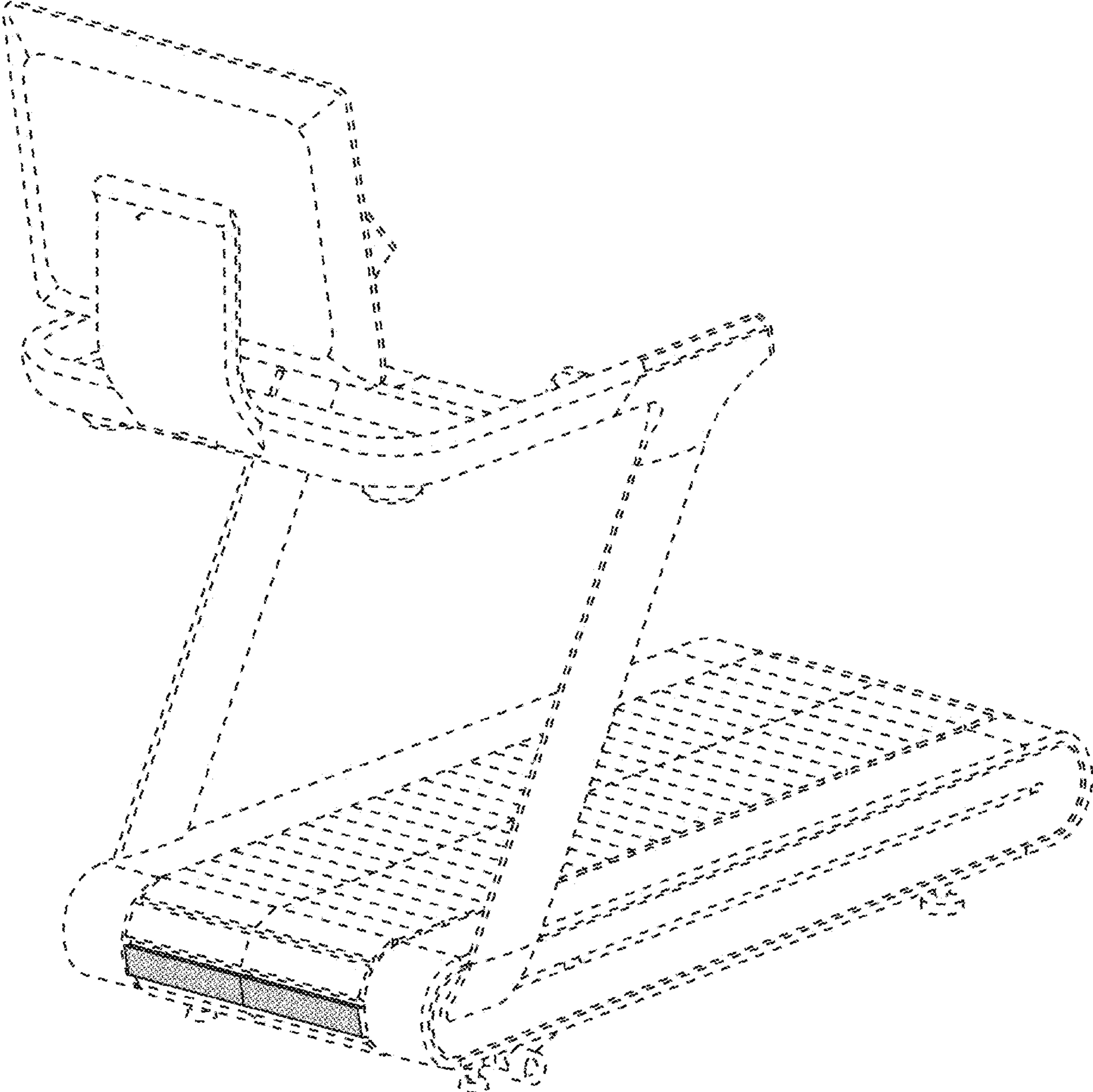


FIG. 12

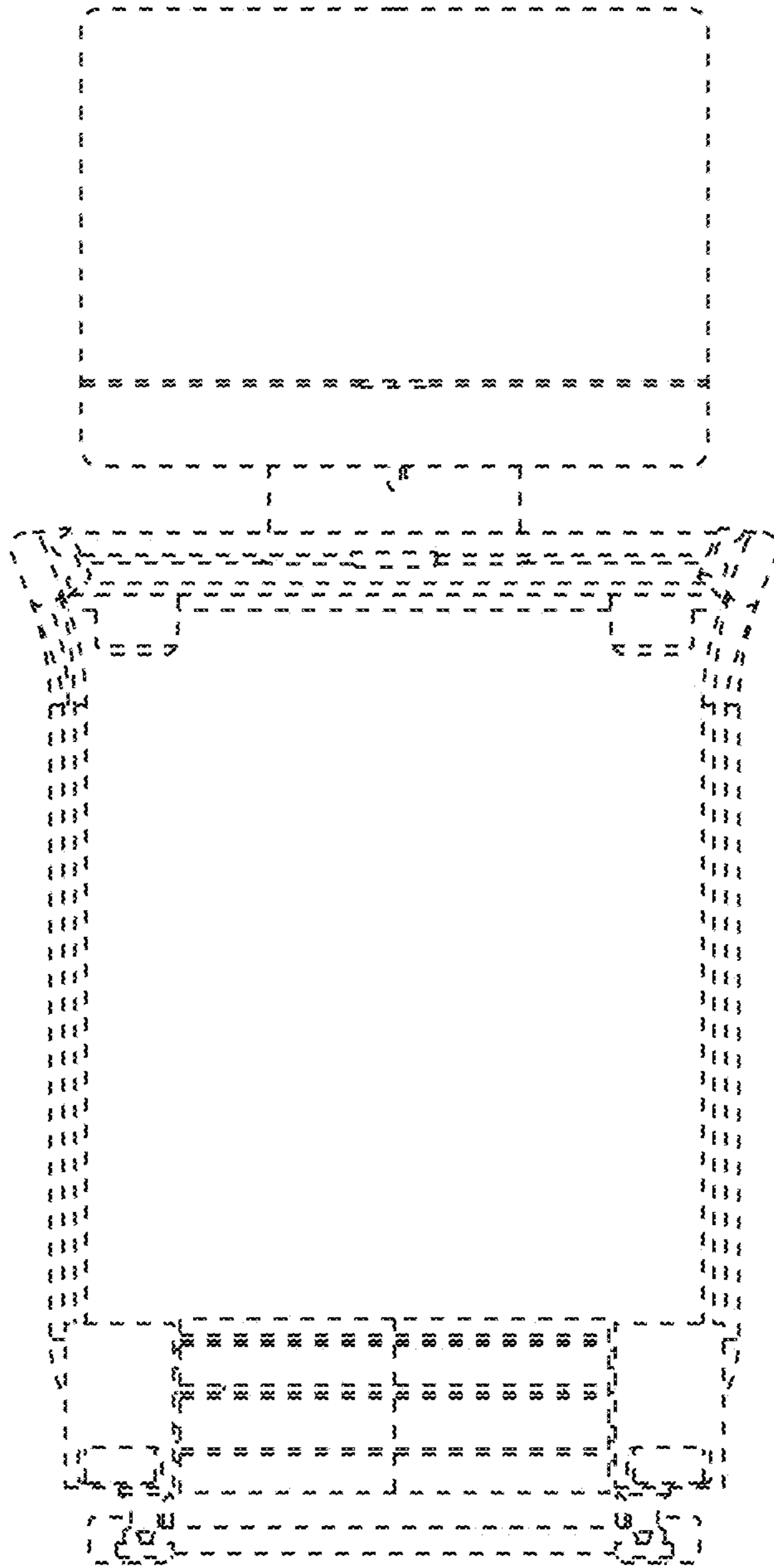


FIG. 13

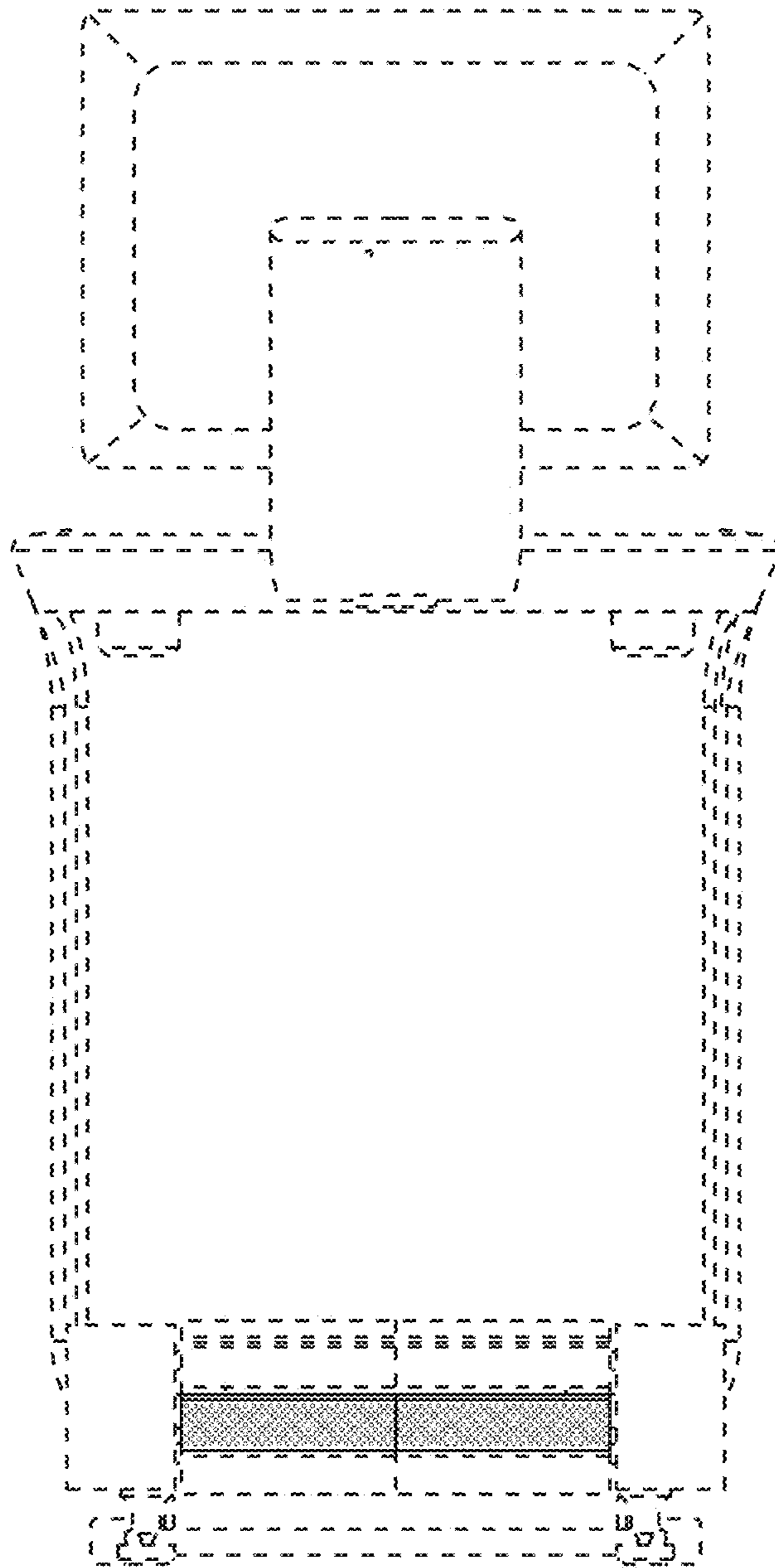


FIG. 14

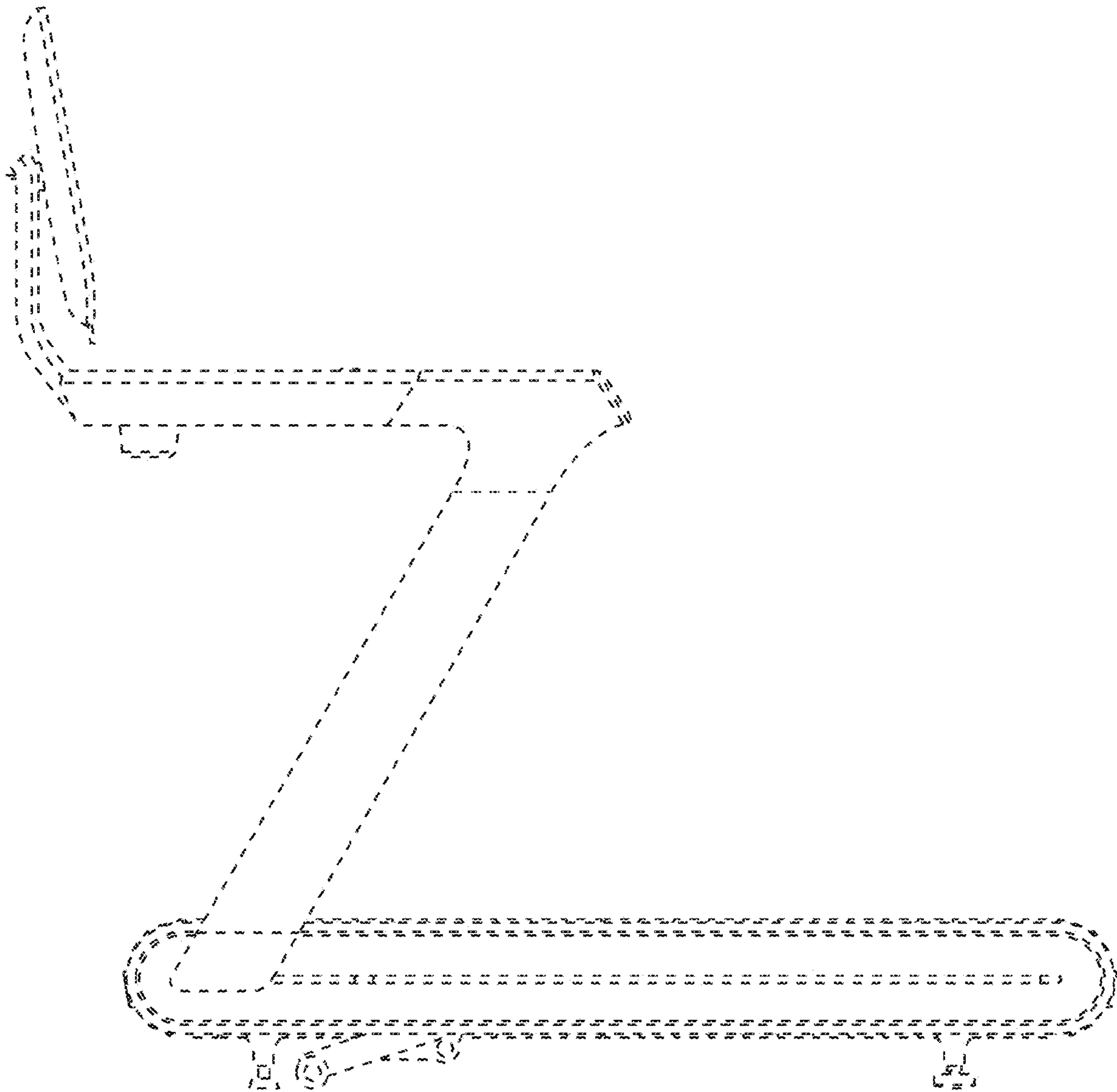


FIG. 15

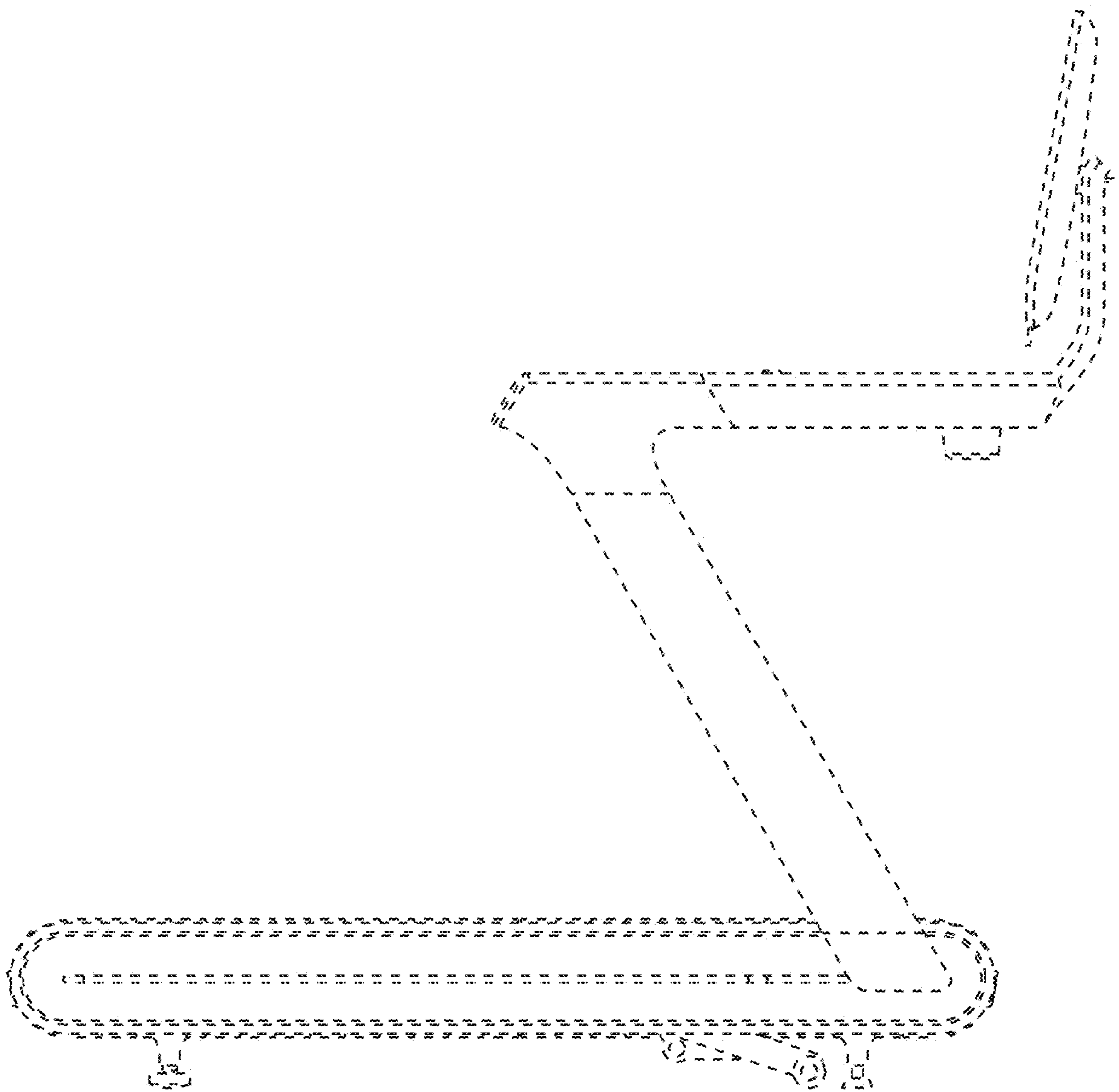


FIG. 16

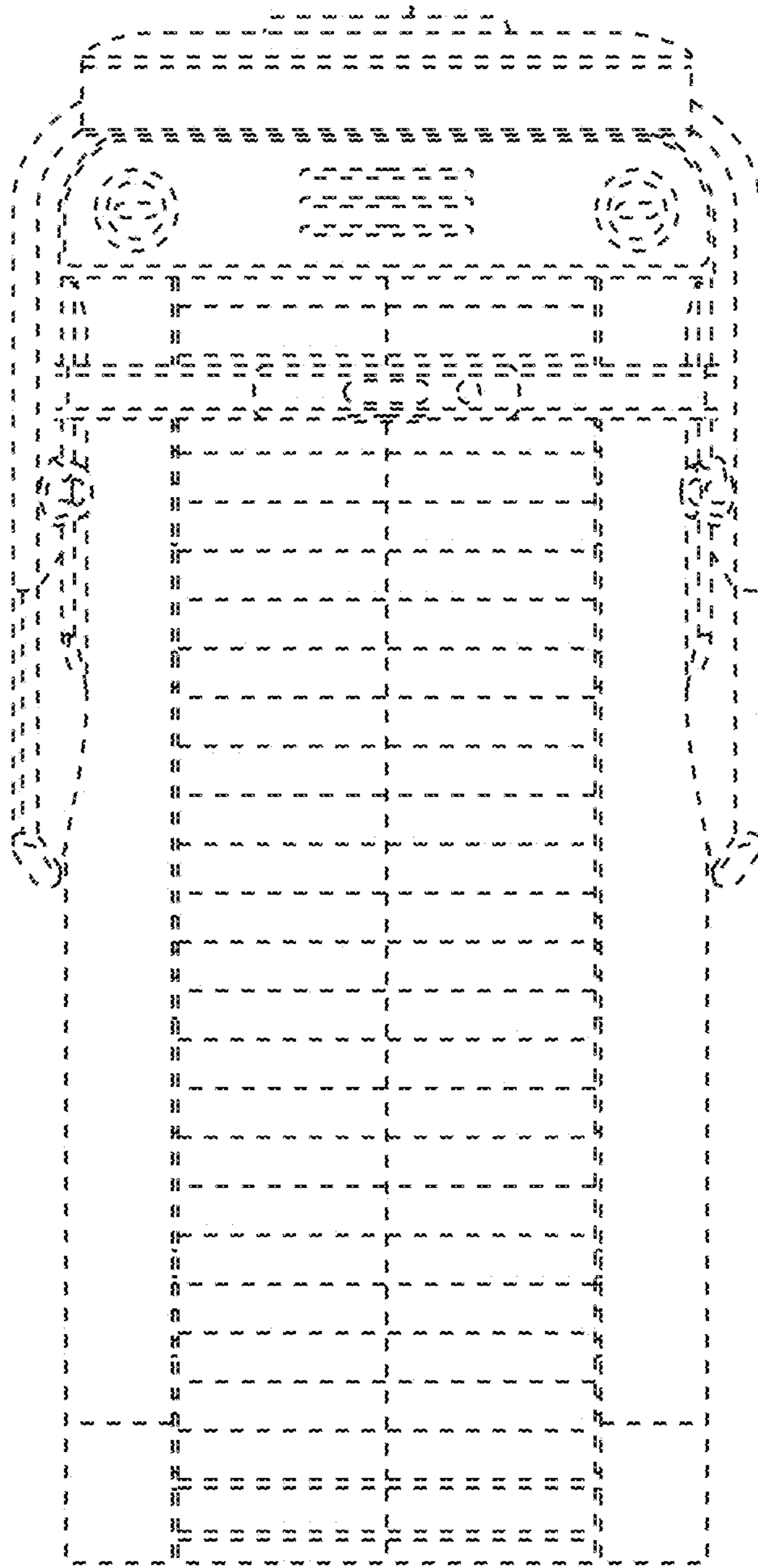


FIG. 17

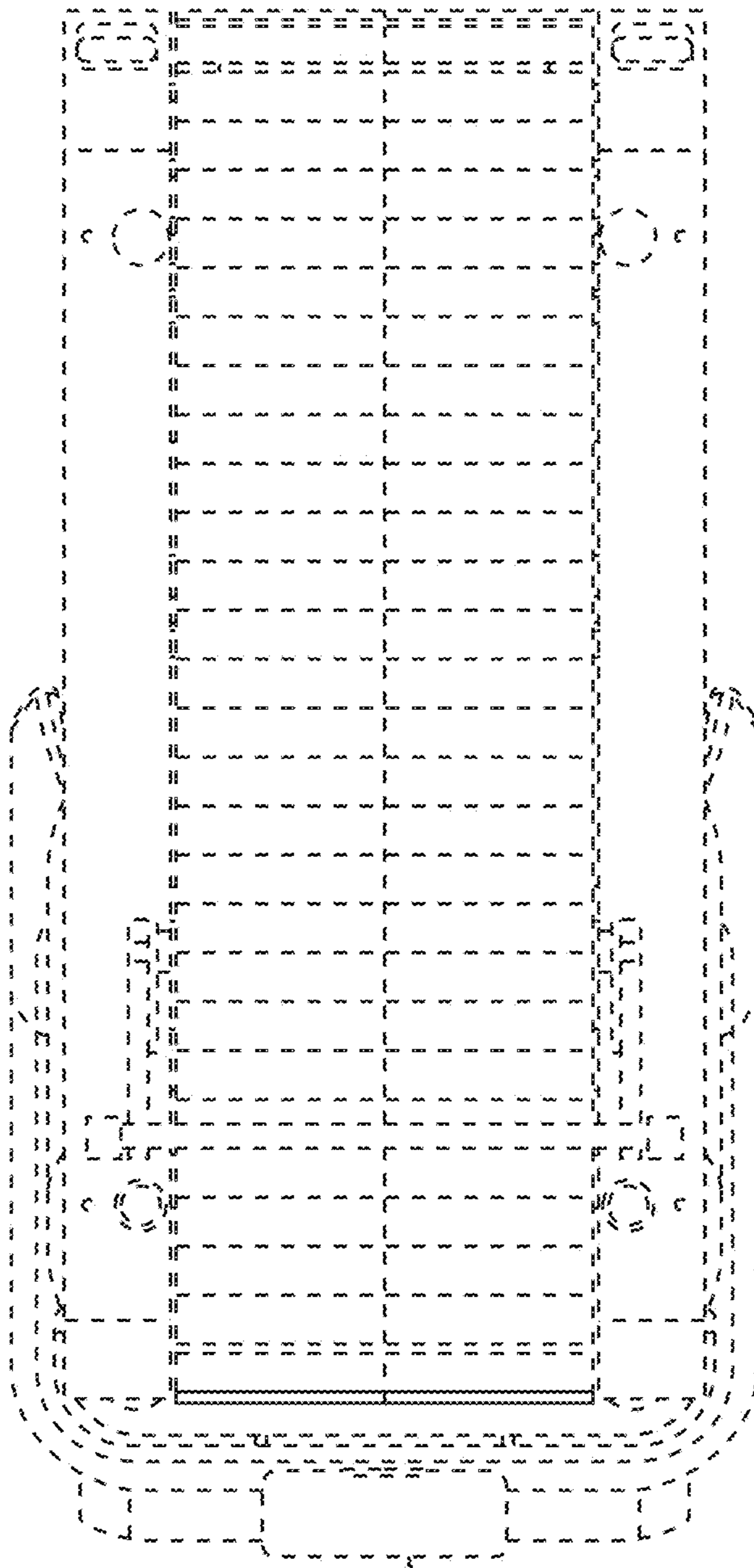


FIG. 18